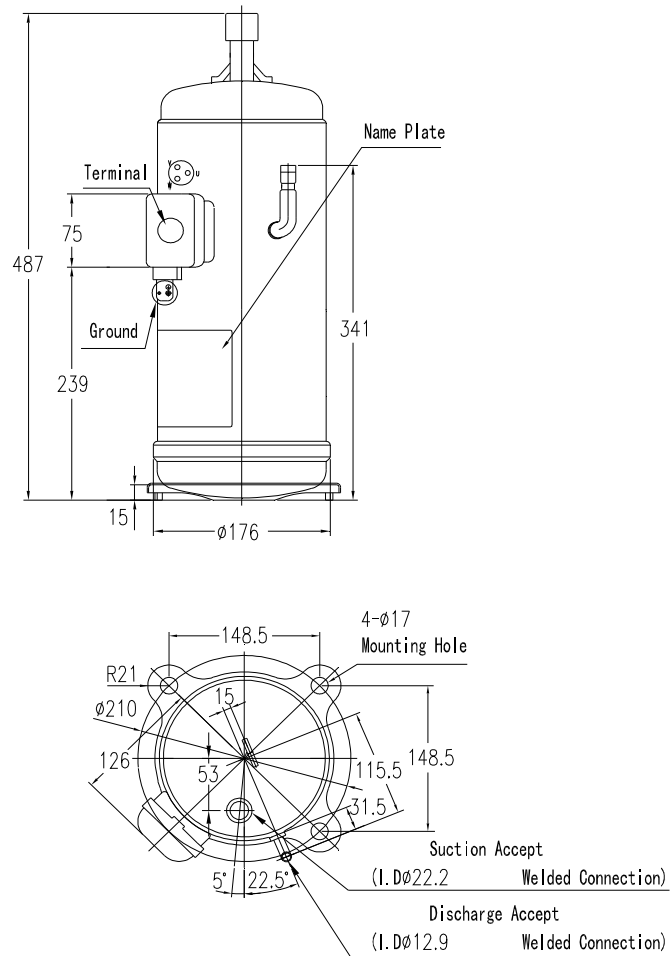
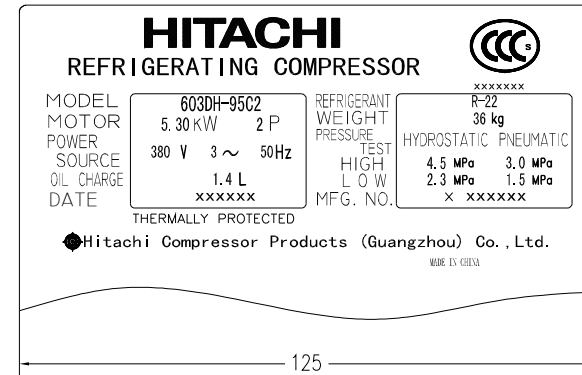


## Dimension of Compressor (603DH-95C2)



Name Plate



Terminal

Ground

