

## Dimension of Compressor (E405HD-42D2YG)

Name Plate

**HITACHI** INVERTER REFRIGERATING COMPRESSOR

MODEL: E405HD-42D2YG

POWER SOURCE: 130-400 V

DATE: XXXXXX

REFRIGERANT: R410A

INPUT: 5900 W

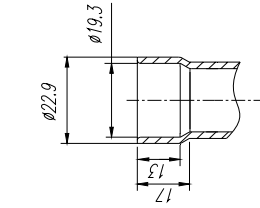
OIL CHARGE: 0.5 l

MFG. NO.: XXXXXX

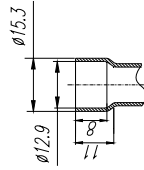
117

Johnson Controls-Hitachi Wanbao Compressor (Guangzhou) Co., Ltd.

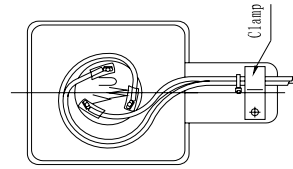
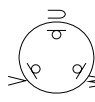
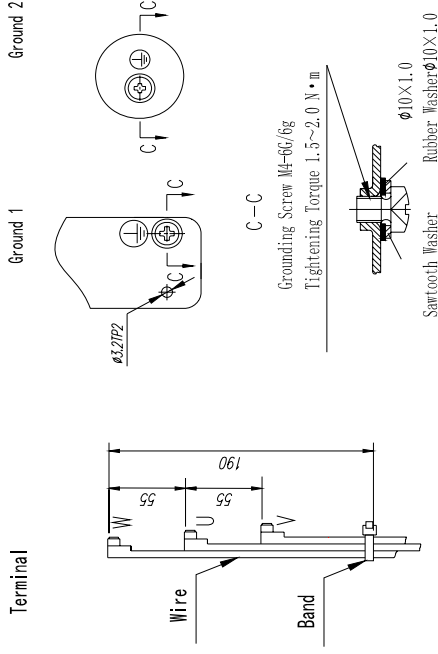
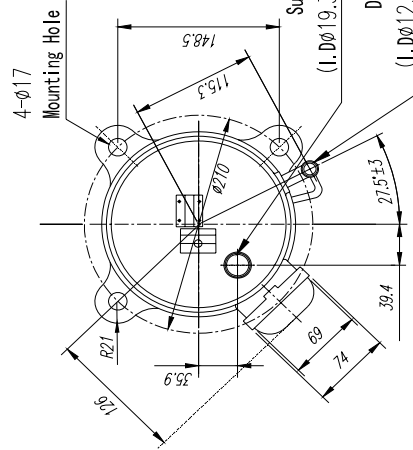
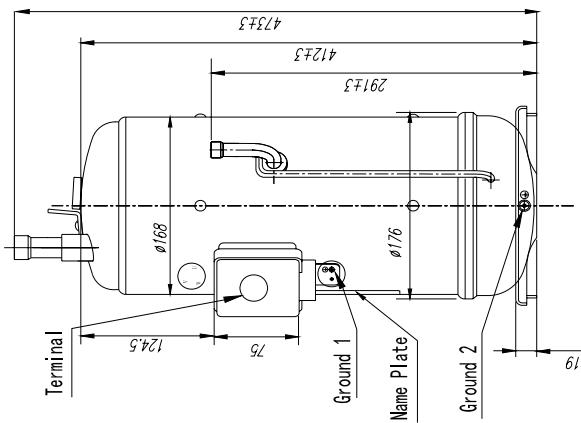
csc  
W013600  
MADE IN CHINA



Suction Tube



Discharge Tube



Note: Fixed the wires by clamp avoiding hurt on the surface.

Remark: There should be no paint around grounding hole and its nearby. While be application, the rubber washer must be dismantled.

DWN.	161213	Johnson Controls-Hitachi	NO. :
CHKD.	161213	Wanbao Compressor	TITLE:
APPD.		(Guang Zhou) Co., Ltd.	Dimension of Compressor
			SIF-E41