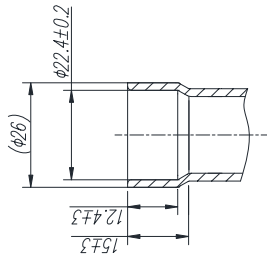
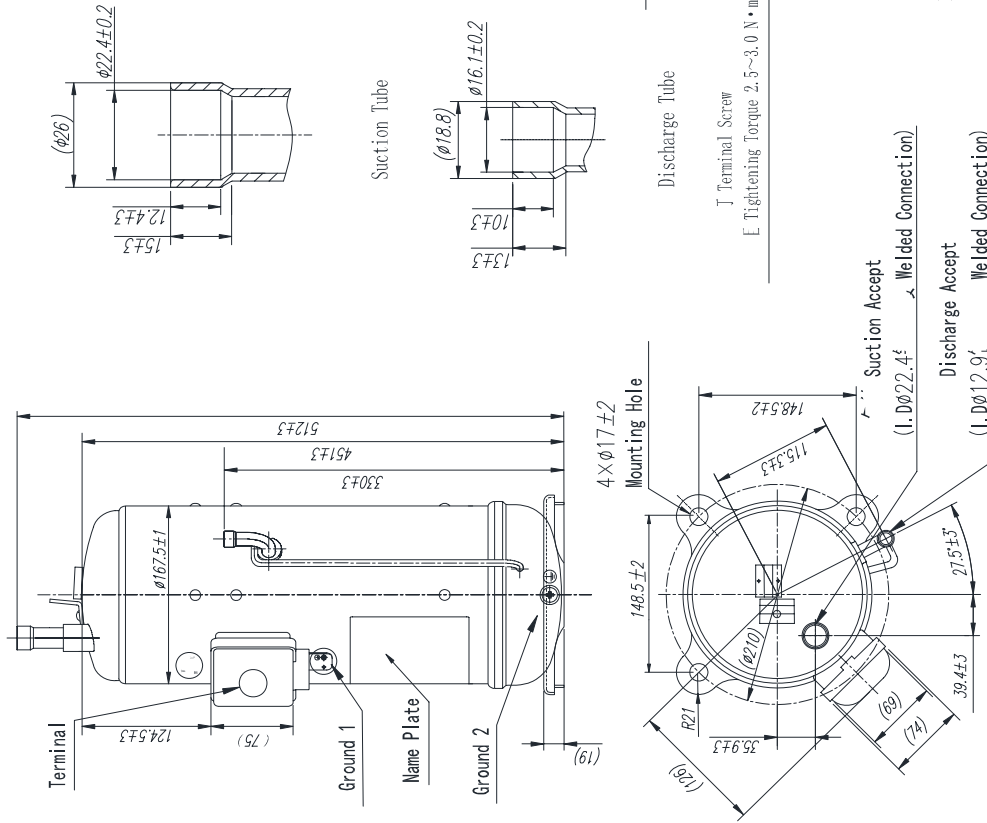
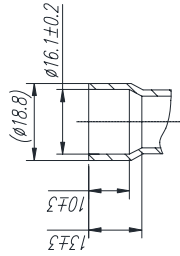


Dimension of Compressor (E705DHD-72D2YG)



Suction Tube



Discharge Tube

J Terminal Screw

E Tightening torque 2.5~3.0 N·m

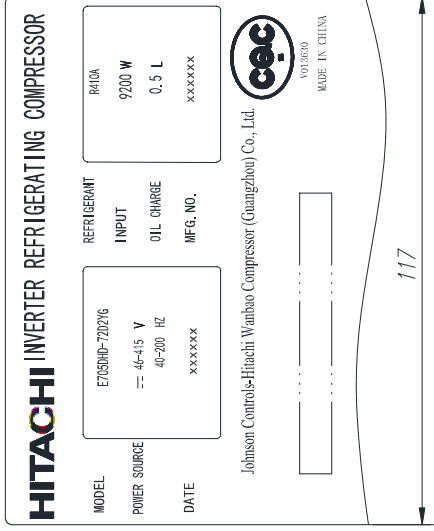
Suction Accept

Welded Connection

Discharge Accept

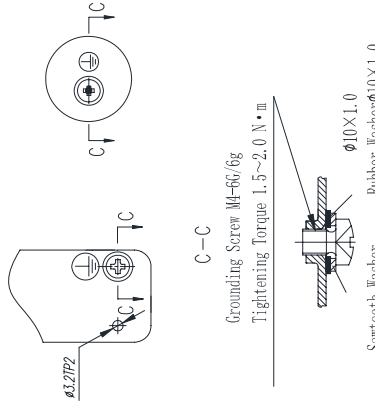
Welded Connection

Name Plate

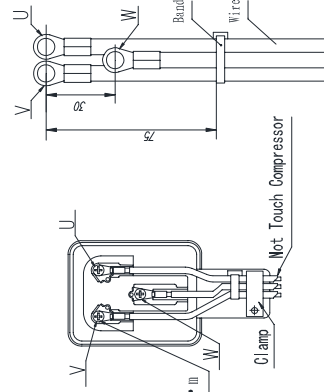


Ground 1

Ground 2



Terminal



Not Touch Compressor

Note: Fixed the wires by clamp avoiding hurt on the surface.

Remark: There should be no paint around grounding hole and its nearby. While be application, the rubber washer must be dismantled.

DWN.		Johnson Controls-Hitachi	NO.:
CHKD.		Wanbao Compressor	Dimension of Compressor
APPD.		(Guang Zhou) Co., Ltd.	SH-E82