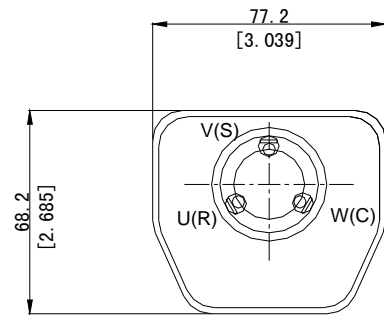
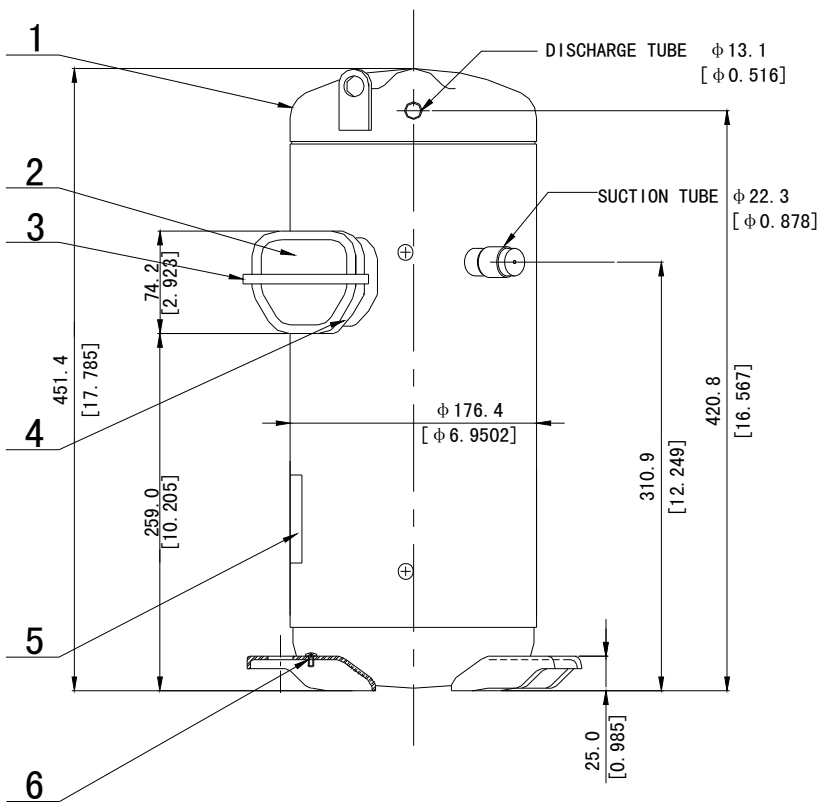
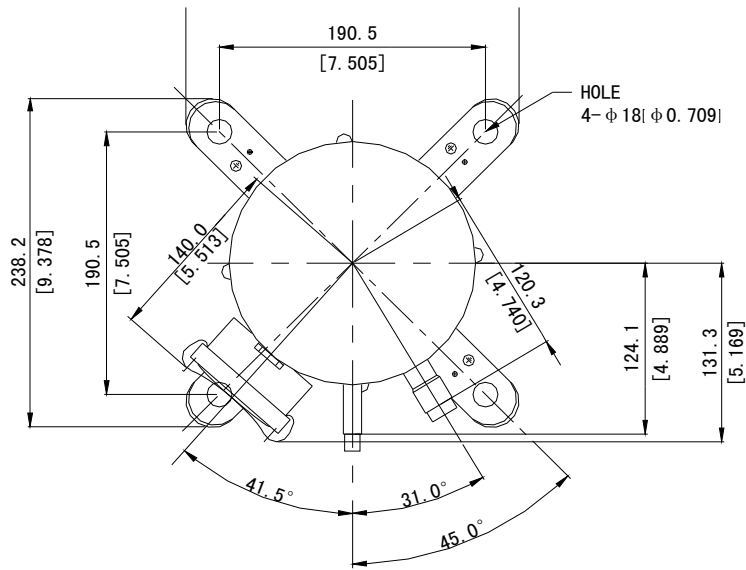


DIMENSIONAL SKETCH

C-SB Series



TERMINAL

| No. | Qty | Name |
|-----|-----|--------------------|
| 1 | 1 | Compressor |
| 2 | 1 | Terminal Box Cover |
| 3 | 1 | Terminal Box Clip |
| 4 | 1 | Insulating Grommet |
| 5 | 1 | Nameplate |
| 6 | 1 | Screw Special |