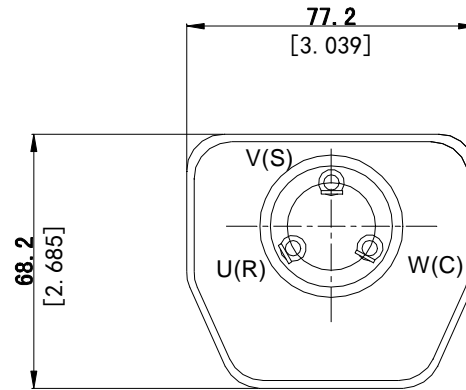
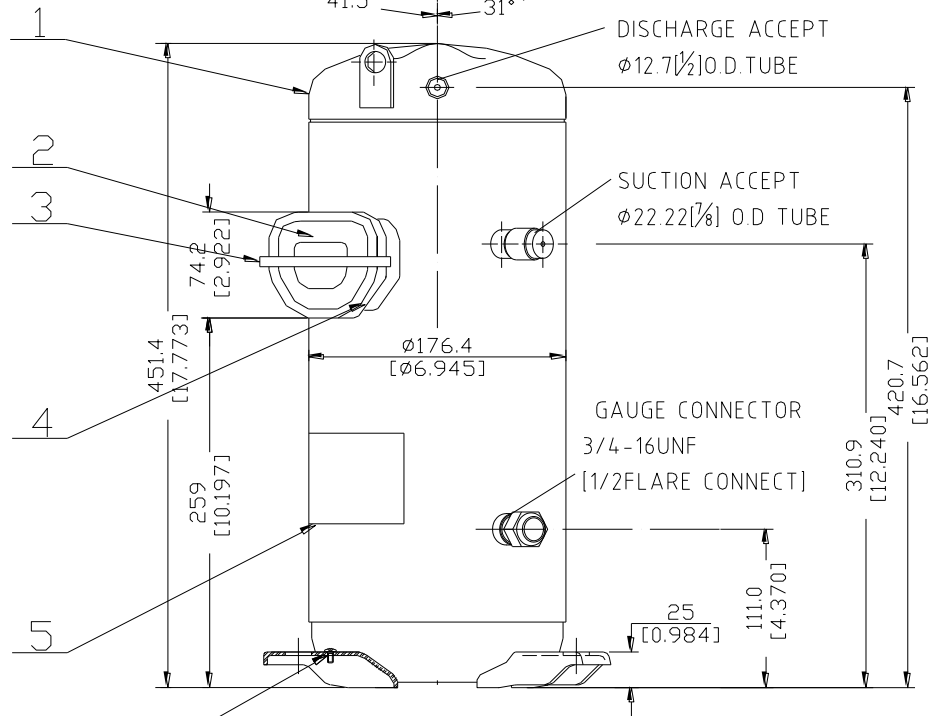


No.	Part Code	Qty	Name
1	809 966 88	1	Compressor
2	A-0101-DSB	1	Terminal Box Cover
3	A-0201-DSB	1	Terminal Box Clip
4	A-0301-DSB	1	Eyelet Rub Lead Wire
5		1	Nameplate
6	B-0101-DSB	1	Screw Special



TERMINAL

Part Code
 D-0105-DSB
 Name
 Compressor Outline Drawing