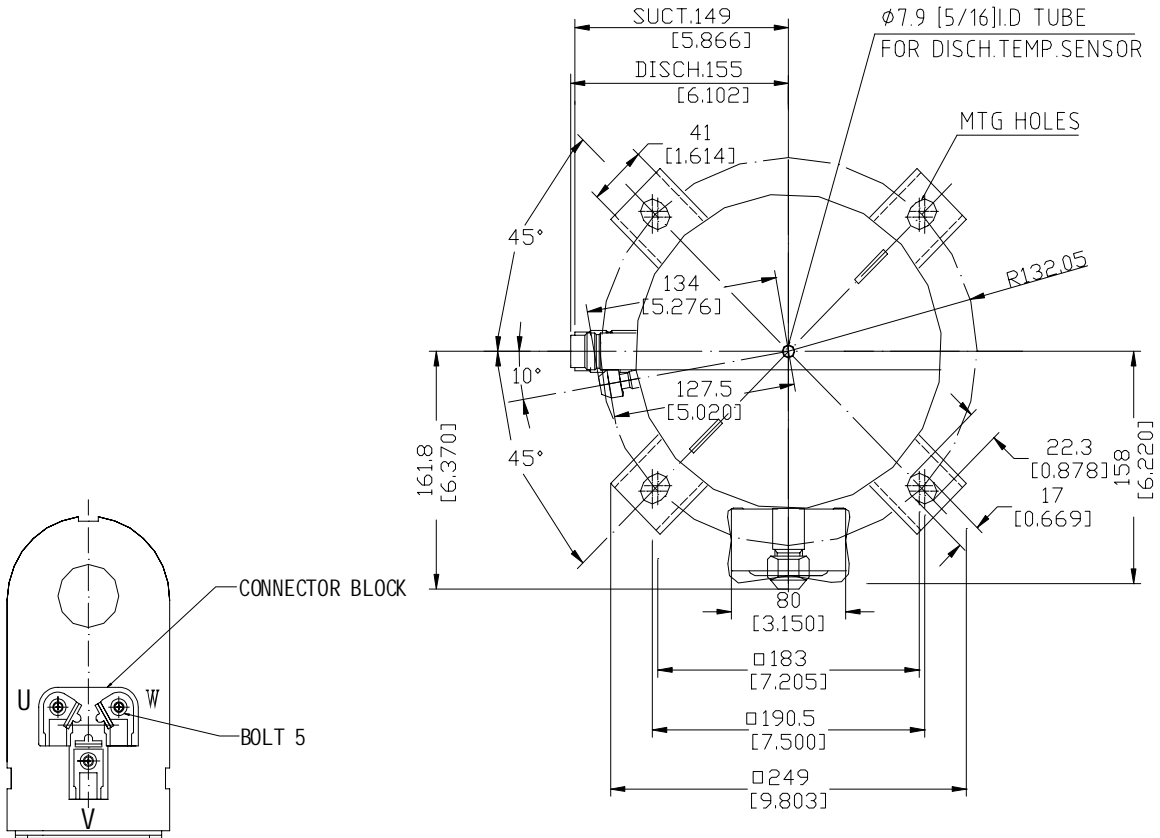


DIMENSIONAL SKETCH



DISCHARGE
 ACCEPT
 φ19.05 [3/4] O.D TUBE

CONNECTOR
 7/16-20UNF-2A
 [1/4 FLARE CONNECT]

SUCTION
 ACCEPT
 φ25.4 [1] O.D TUBE

