

**CHANGE**

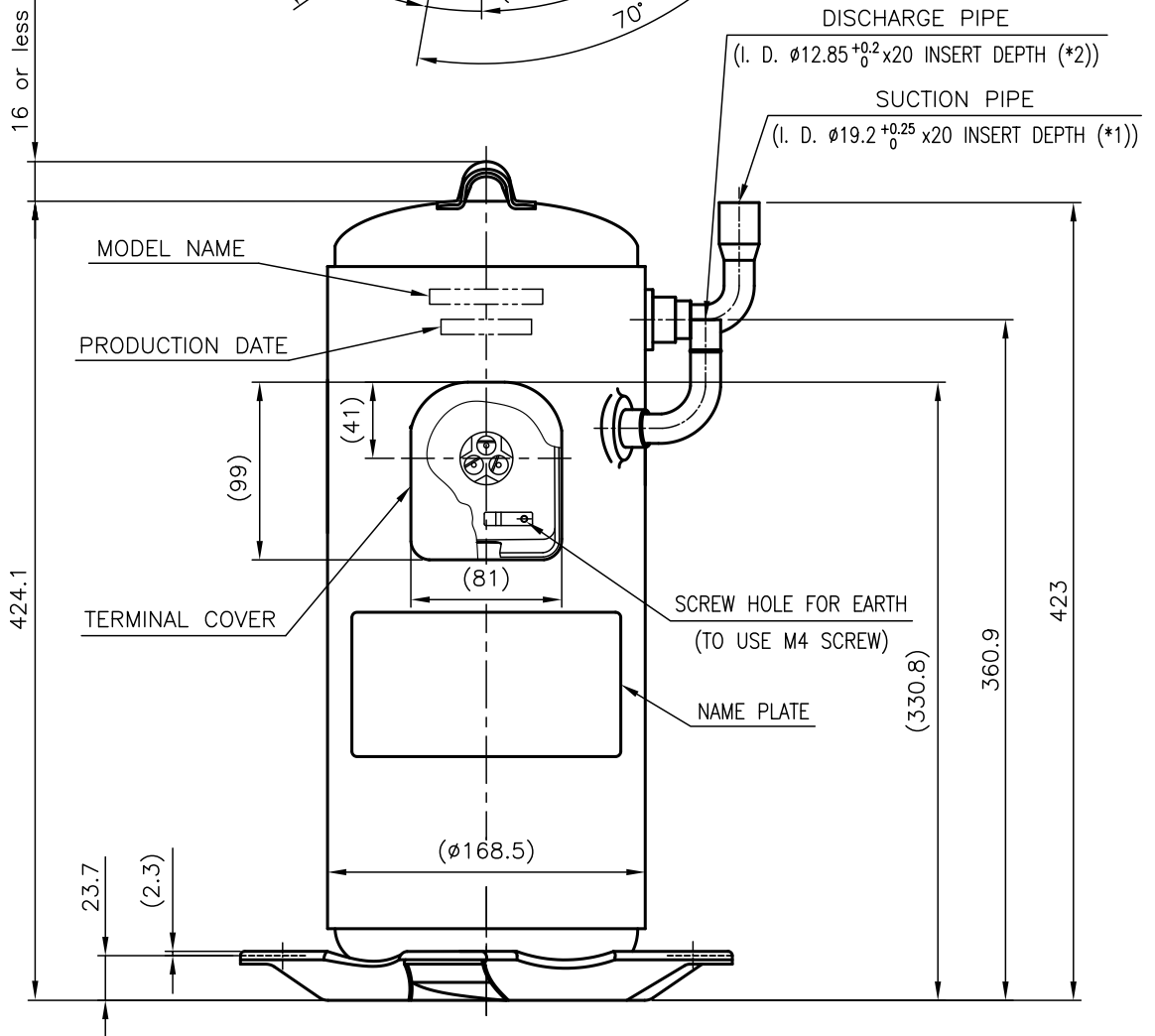
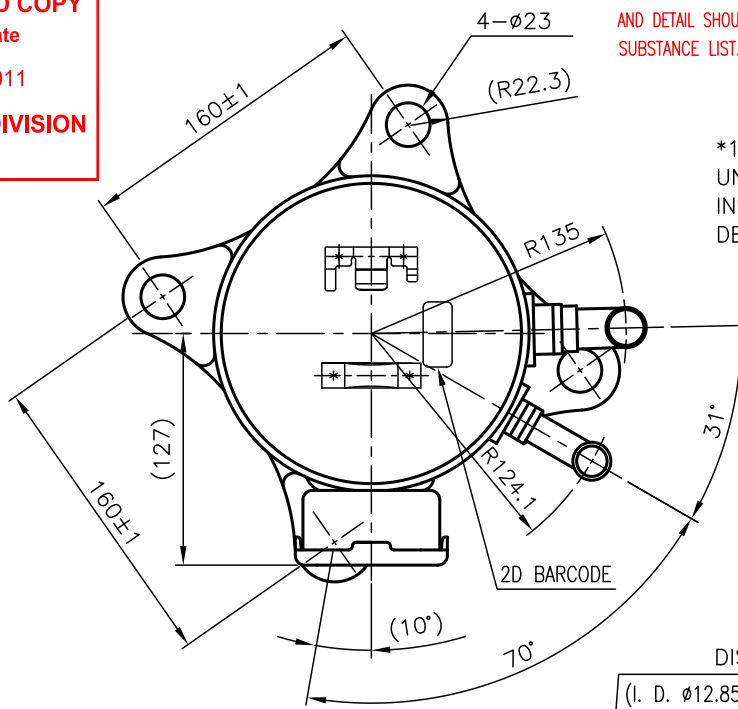
- A1 (A-1) FORM WAS CHANGE.
- A2 (A-3) SPECIAL NOTE WAS CHANGE.
- A3 (B-3) 2D BARCODE WAS ADDED.
- A4 (C-2) MODEL NAME WAS ADDED.
- A5 (D-2) PRODUCTION DATE WAS ADDED.
- A6 (E-3) NAME PLATE WAS ADDED.
- A7 (A-3) A7 WAS R22.3.
- A8 (B-2) A8 WAS 127.
- A9 (D-2) A9 WAS 41.
- A10 (D-2) A10 WAS 99.
- A11 (D-4) A11 WAS 330.8.
- A12 (D-2) A12 WAS 81.
- A13 (E-2) A13 WAS  $\phi 168.5$ .
- A14 (E-2) A14 WAS 2.3.  
11-07-06  
S.BUNCHA  
S.DUMRONGSAK

**CONTROLLED COPY**  
**Issued Date**  
 22 JUL 2011  
**TECHNICAL DIVISION**  
**SCI**

**SPECIAL NOTE**

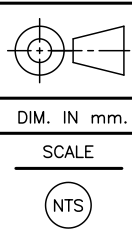
THE PART SHOULD NOT CONTAIN PROHIBITED SUBSTANCES AND DETAIL SHOULD COMPLY WITH SCI-RoHS & REACH[SVHC] SUBSTANCE LIST. (STD100001)

\*1 (C-4), \*2 (C-4) PART OF UNIT CONNECTION PIPES WERE INSERTED UNTIL THE INSERT DEPTH OF COMPRESSOR PIPES.



**ANB SERIES "CG" TYPE**

- USE FOR MODEL
- S
  - R
  - T
  - P
  - N
  - A
  - B



|   |          |                          |              |
|---|----------|--------------------------|--------------|
| <b>SIAM COMPRESSOR INDUSTRY</b><br><b>MITSUBISHI ELECTRIC GROUP</b> |          |                          |              |
| DATE  | 04-05-12 | APPROVED                 |              |
| SCALE   | DRAWN    | N.TIDAPORN, K.NATHANICHA | S.DUMRONGSAK |
|   | CHECKED  | C.SUWAT                  |              |
|   | DESIGNED | S.BUNCHA                 |              |

|                            |     |
|----------------------------|-----|
| TITLE                      |     |
| <b>COMPR. OUTLINE DWG.</b> |     |
| DWG. No.                   | 1/1 |
| <b>CS01F569</b>            |     |