

CHANGE

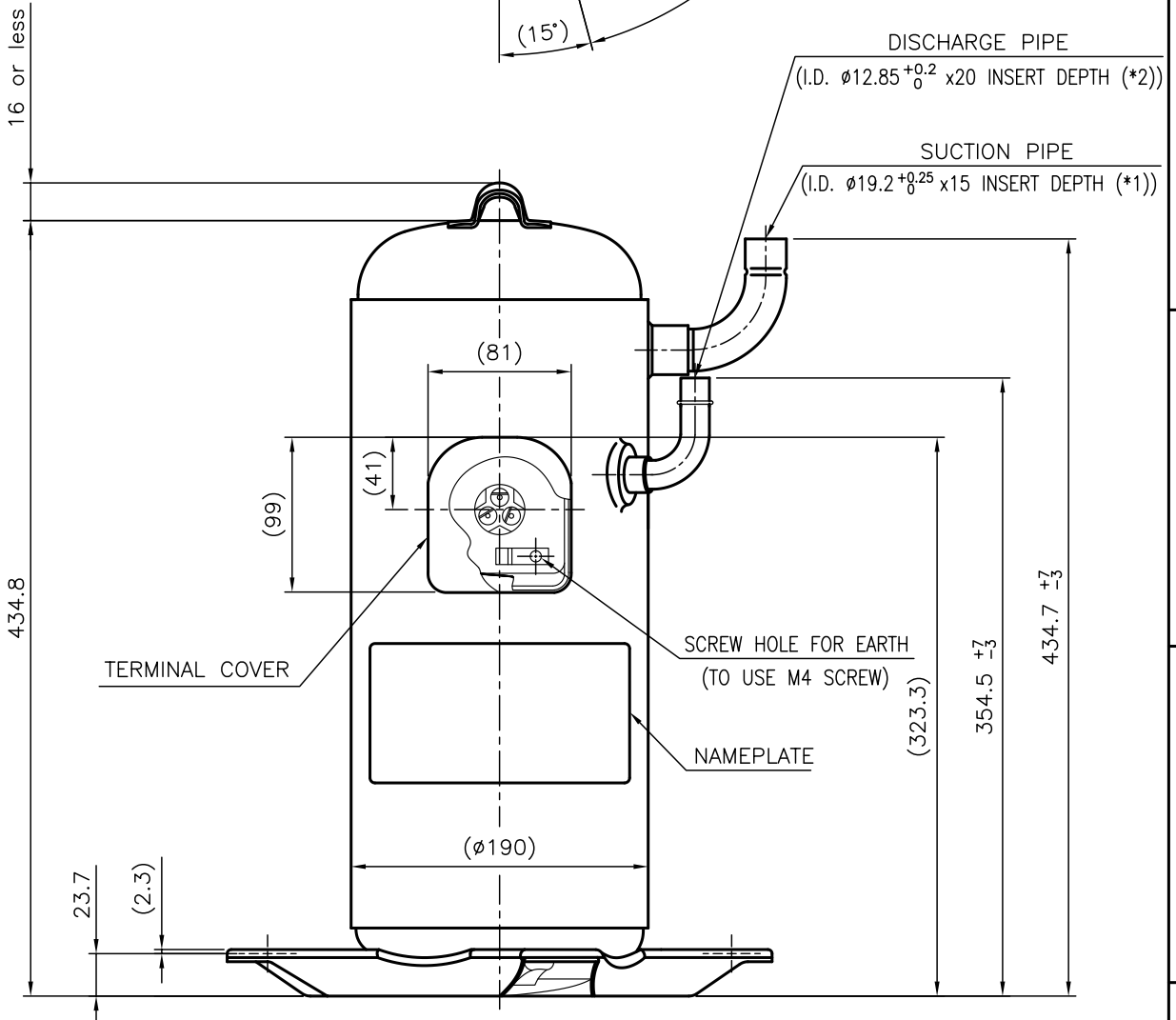
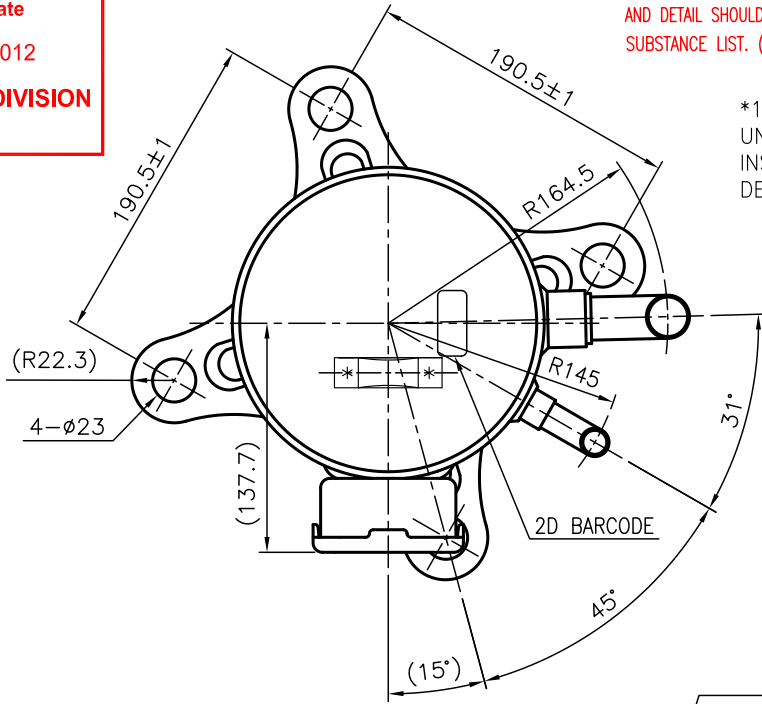
A1 (F-1)
 BNH SERIES
 "EJ", "EV", "EW" TYPE
 WERE ADDED.
 A2 (D-2)
 MODEL NAME AND
 MANUFACTURE DATE
 WERE CANCELLED.
 A3 (E-4)
 354.5 WAS 354.5.
 A4 (D-4)
 437.7 WAS 437.7.
 12-09-14
 I.AMPOL
 S.DUMRONGSAK
 (NO. NCQ120141, 0218) A

CONTROLLED COPY
 Issued Date
 10 NOV 2012
TECHNICAL DIVISION
SCI

SPECIAL NOTE

THE PART SHOULD NOT CONTAIN PROHIBITED SUBSTANCES AND DETAIL SHOULD COMPLY WITH SCI-RoHS & REACH[SVMC] SUBSTANCE LIST. (STD100001)

*1 (C-4), *2 (C-4) PART OF UNIT CONNECTION PIPES WERE INSERTED UNTIL THE INSERT DEPTH OF COMPRESSOR PIPES.



BN SERIES "EB", "EG", "EJ", "EL", "EP" TYPE
 BNH SERIES "EJ", "EV", "EW" TYPE

USE FOR MODEL

- S
- R
- T
- P
- N
- A
- B



SIAM COMPRESSOR INDUSTRY CO.,LTD.

DIM. IN mm.

DATE 11-09-05

APPROVED

SCALE

DRAWN N.TIDAPORN, K.NATTHANICHA

S.DUMRONGSAK

NTS

CHECKED J.SANTICHAJ

DESIGNED I.AMPOL

REFERENCE : CS01F633

TITLE

COMPR. OUTLINE DWG.

DWG. No.

SC01F114

1/1