

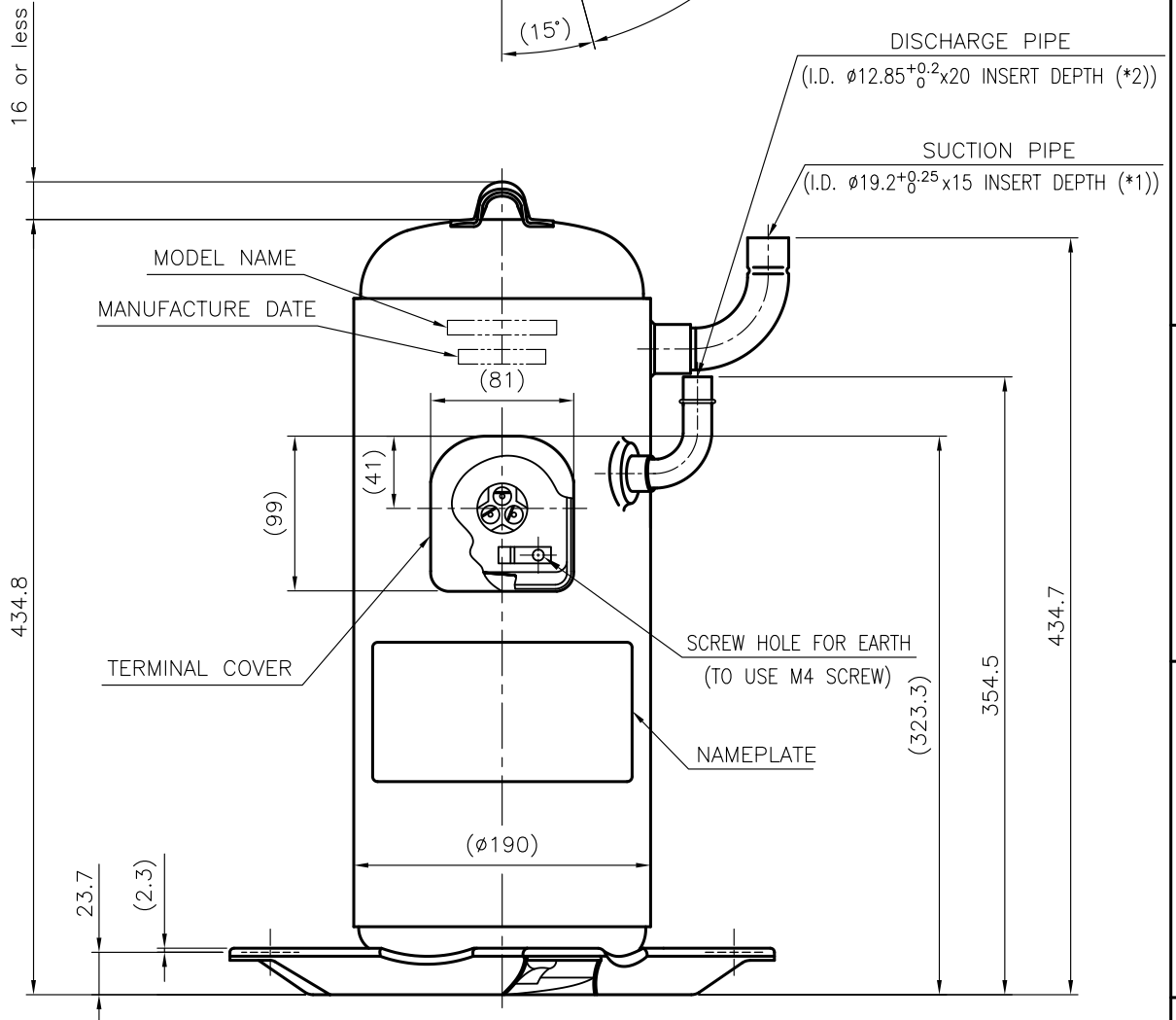
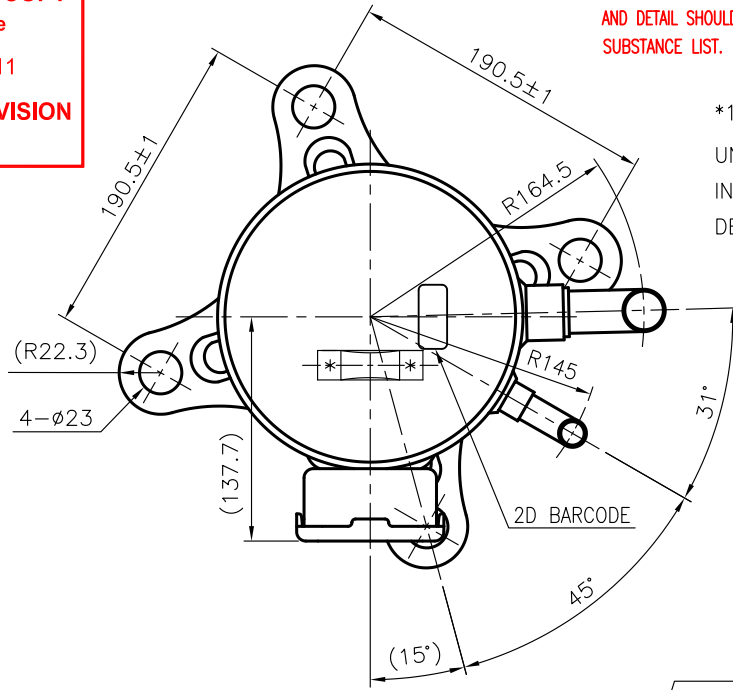
CHANGE

CONTROLLED COPY
 Issued Date
 04 OCT 2011
TECHNICAL DIVISION
SCI

SPECIAL NOTE

THE PART SHOULD NOT CONTAIN PROHIBITED SUBSTANCES AND DETAIL SHOULD COMPLY WITH SCI-ROHS & REACH[SVHC] SUBSTANCE LIST. (STD100001)

*1 (C-4), *2 (C-4) PART OF UNIT CONNECTION PIPES WERE INSERTED UNTIL THE INSERT DEPTH OF COMPRESSOR PIPES.



BN SERIES "EB", "EG", "EJ", "EL", "EP" TYPE

USE FOR MODEL	
<input type="checkbox"/>	S
<input type="checkbox"/>	R
<input type="checkbox"/>	T
<input type="checkbox"/>	P
<input type="checkbox"/>	N
<input type="checkbox"/>	A
<input checked="" type="checkbox"/>	B

SIAM COMPRESSOR INDUSTRY MITSUBISHI ELECTRIC GROUP		REFERENCE : CS01F633	
		TITLE COMPR. OUTLINE DWG.	
DIM. IN mm.	DATE	11-09-05	APPROVED
SCALE	DRAWN	N.TIDAPORN, K.NATTANICHA	S.DUMRONGSAK
	CHECKED	C.SUWAT	
	DESIGNED	S.BUNCHA	

DWG. No.	SC01F114	1/1
----------	-----------------	-----