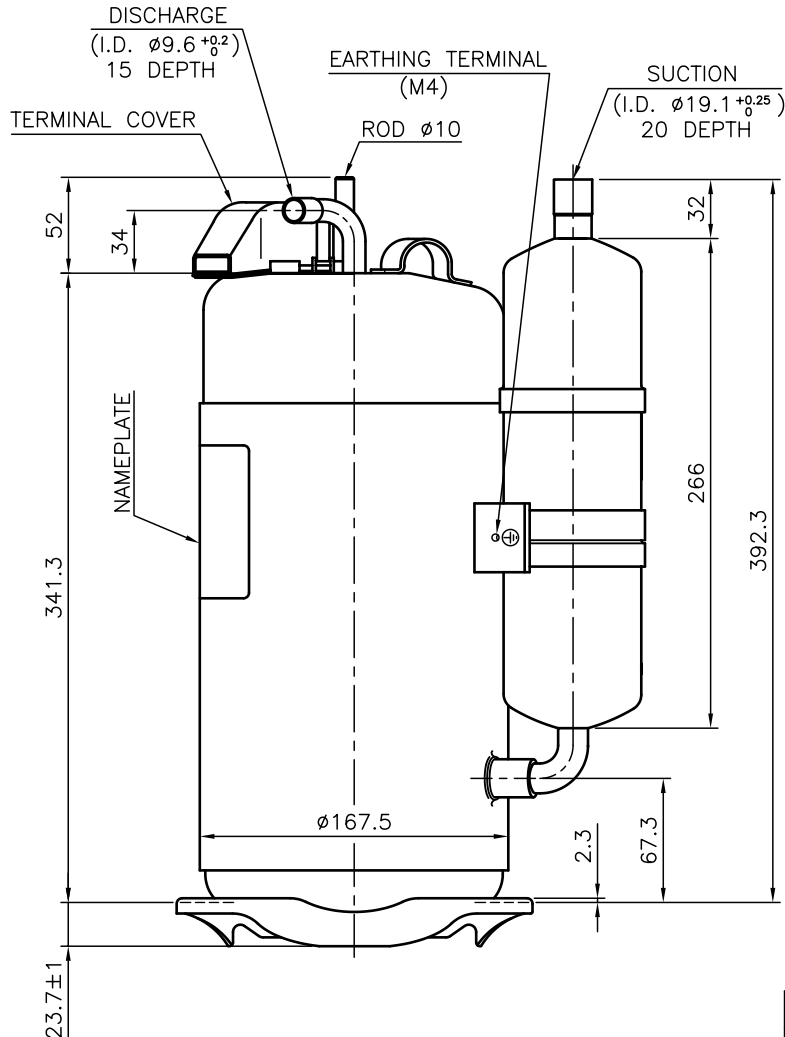
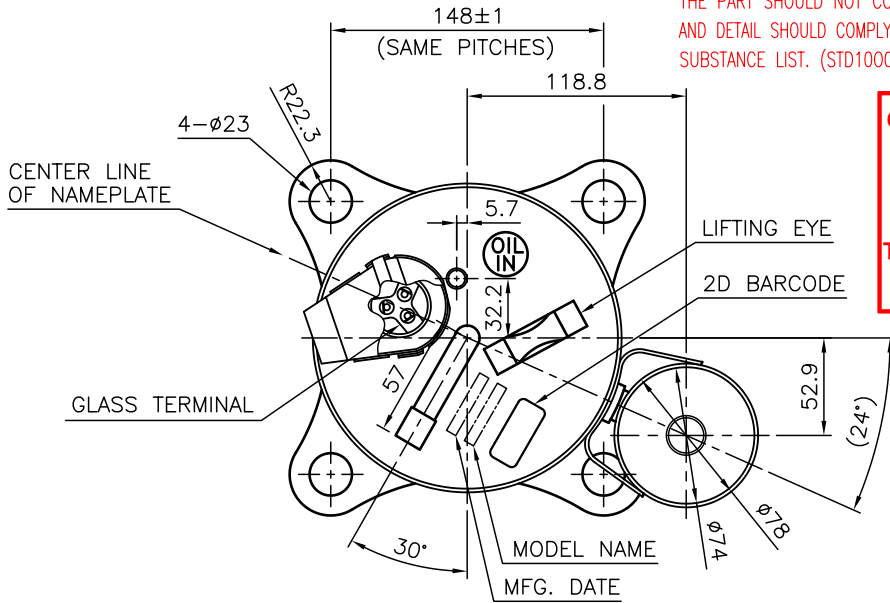


SPECIAL NOTE

THE PART SHOULD NOT CONTAIN PROHIBITED SUBSTANCES AND DETAIL SHOULD COMPLY WITH SCI-RoHS & REACH[SVHC] SUBSTANCE LIST. (STD100001)

CONTROLLED COPY
 Issued Date
 18 MAY 2012
TECHNICAL DIVISION
SCI



NH SERIES "NH", "NV", "XB", "XE" TYPE
 NHT SERIES "BF", "DF" TYPE

UNSPECIFIED TOLERANCE	
SIZE	±3 mm
ANGLE	±3°

- CHANGE**
- [A1] (E-2)
A1 WAS ADDED.
02-09-04
S.DUMRONGSAK
P.PAISARN [A]
 - [B1] WAS SHANGE
TERMINAL PLATE
(CRO2D184H01).
07-02-14
J.SUPOT
S.DUMRONGSAK
(NO. NCQ061498) [B]
 - [C1] (B-3)
DRAWING WAS AS BELOW
 - [C2] (B-6)
DRAWING WAS AS BELOW
 - 08-07-24
J.SUPOT
S.DUMRONGSAK
(NO. NCQ081743) [C]
 - [D1] (A-3)
2D BARCODE AND
STAMPING POSITON
WAS ADDED.
[D2] (A-3)
SPECIAL NOTE
WAS CHANGE.
[D3] (F-4)
TOLERANCE
WAS ADDED.
10-03-03
J.SUPOT
S.DUMRONGSAK [D]
 - [E1] (C-3)
DRAWING WAS
AS BELOW
 - 10-10-06
J.SANTICHAJ
S.DUMRONGSAK [E]
 - [F1] (F-2)
NH SERIES "XE" TYPE
WAS ADDED.
12-05-11
K.CHINNAPONG
S.DUMRONGSAK [F]

USE FOR MODEL

<input type="checkbox"/>	S
<input type="checkbox"/>	R
<input type="checkbox"/>	T
<input type="checkbox"/>	P
<input checked="" type="checkbox"/>	N
<input type="checkbox"/>	A
<input type="checkbox"/>	B

	SIAM COMPRESSOR INDUSTRY		REFERENCE : SC00D145
	MITSUBISHI ELECTRIC GROUP		
DIM. IN mm.	DATE	02-09-04	TITLE
SCALE	DRAWN	M.KITTISAK, K.NATTHANICHA	COMPR. OUTLINE DWG.
	CHECKED	S.SUPOT	
	DESIGNED	K.CHINNAPONG	
		APPROVED	DWG. No.
		S.DUMRONGSAK	SC01D134

1		1	
---	--	---	--