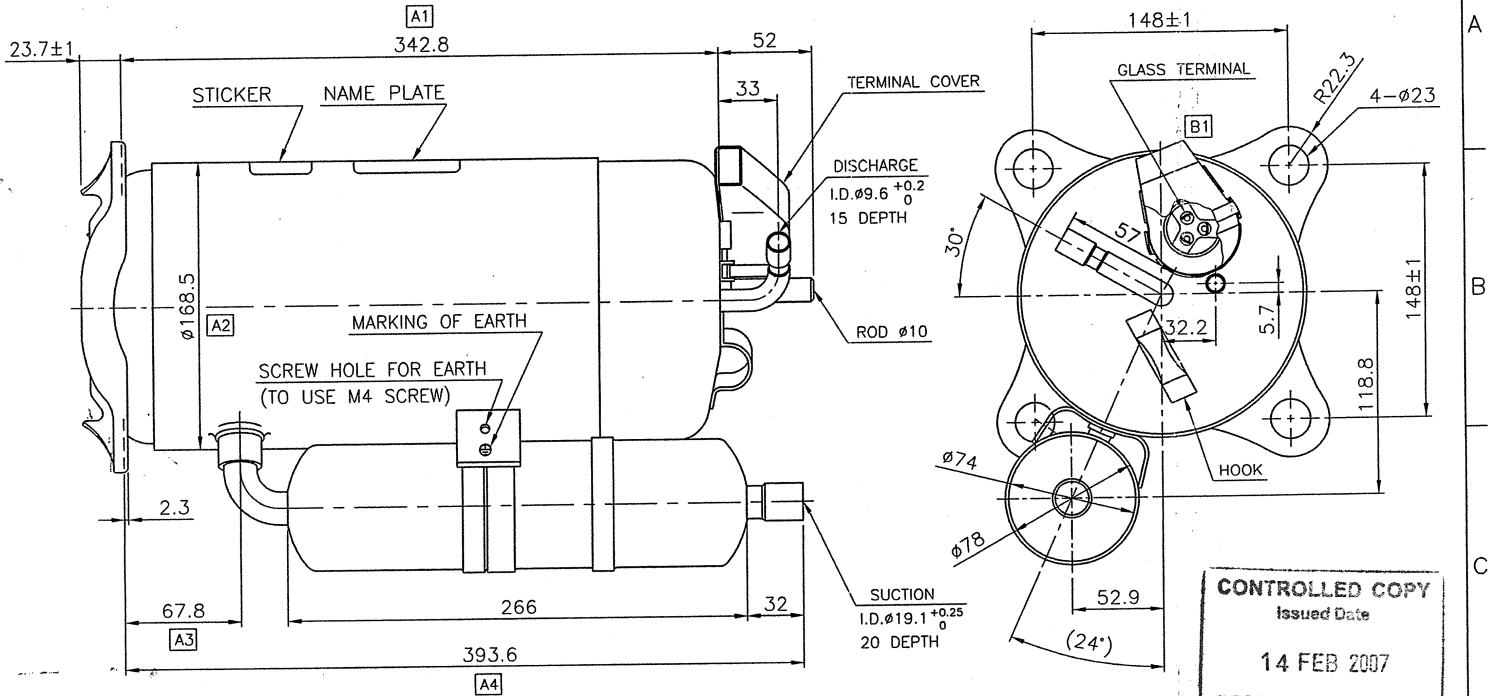


SPECIAL NOTE

THE PART SHOULD NOT CONTAIN PROHIBITED SUBSTANCE
(Pb,Cd,Hg,Cr+6,PBB,PBDE) AND DETAIL SHOULD COMPLY WITH
MITSUBISHI ELECTRIC CHEMICAL SUBSTANCE CONTROL LIST.



CONTROLLED COPY
 Issued Date
 14 FEB 2007
 TECHNICAL DIVISION
 SCI

CHANGE	A1	(A-2) WAS 342.3
	A2	(B-2) WAS $\phi 187.5$
	A3	(C-1) WAS 67.3
	A4	(C-3) WAS 392.3
		03-06-19
	S.PARINAI	
	P.PAISARN	
	A	
	B1 WAS CHANGE	
	TERMINAL PLATE	
	(CR02D184H01).	
	07-02-14	
	J.SUPOT	
	<i>JMS</i>	
	B	
	NO.NC0061498.	

SIAM COMPRESSOR INDUSTRY CO.,LTD.	
DIM. IN mm	DATE 03-06-19
SCALE	DRAWN T.JOOMPOL
	CHECKED <i>[Signature]</i>
	DESIGNED <i>[Signature]</i>

REFERENCE : CS01F490	
TITLE COMPR. OUTLINE DWG.	
DWG.NO.	SC01D335
	1/4