

CHANGE

- A1 (A-1) FORM WAS CHANGE.
- A2 (A-3) SPECIAL NOTE WAS CHANGE.
- A3 (A-3) 2D BARCODE AND STAMPING POSITON WERE ADDED.
- A4 (F-4) UNSPECIFIED TOLERANCE WAS ADDED.
- A5 (F-1) NN SERIES "CA", "CC" TYPE WAS ADDED. 10-11-05 K.CHINNAPONG S.DUMRONGSAK

SPECIAL NOTE

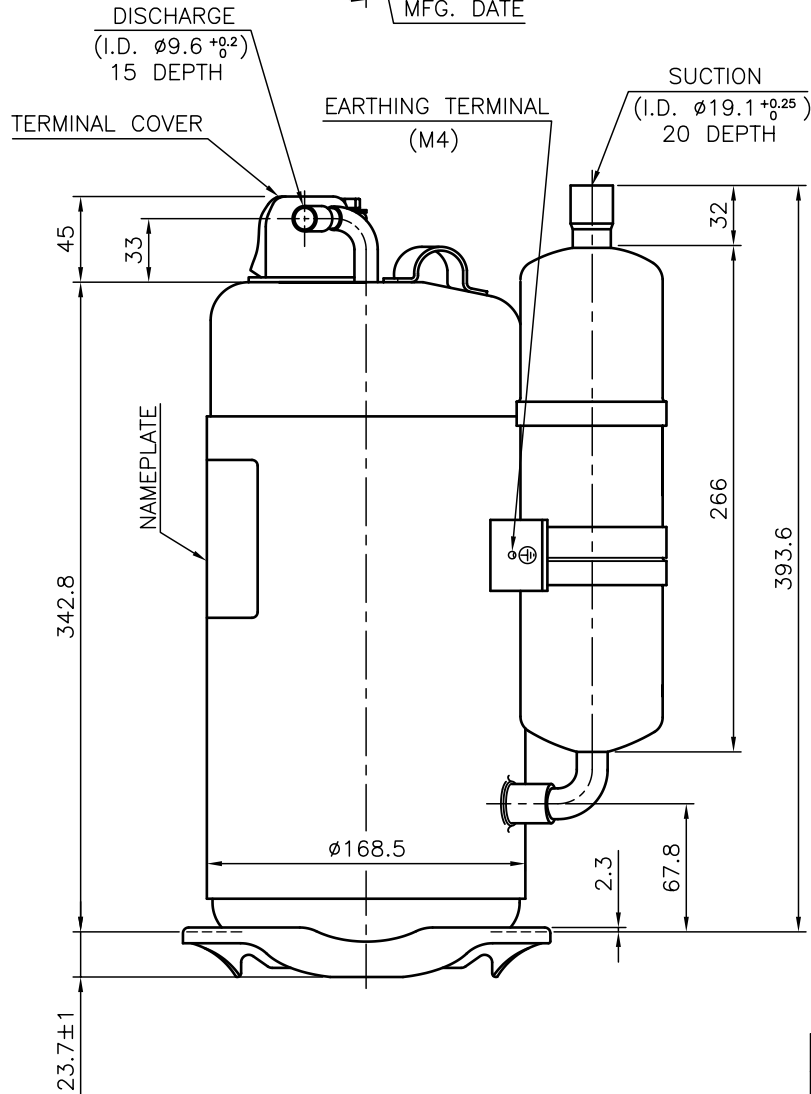
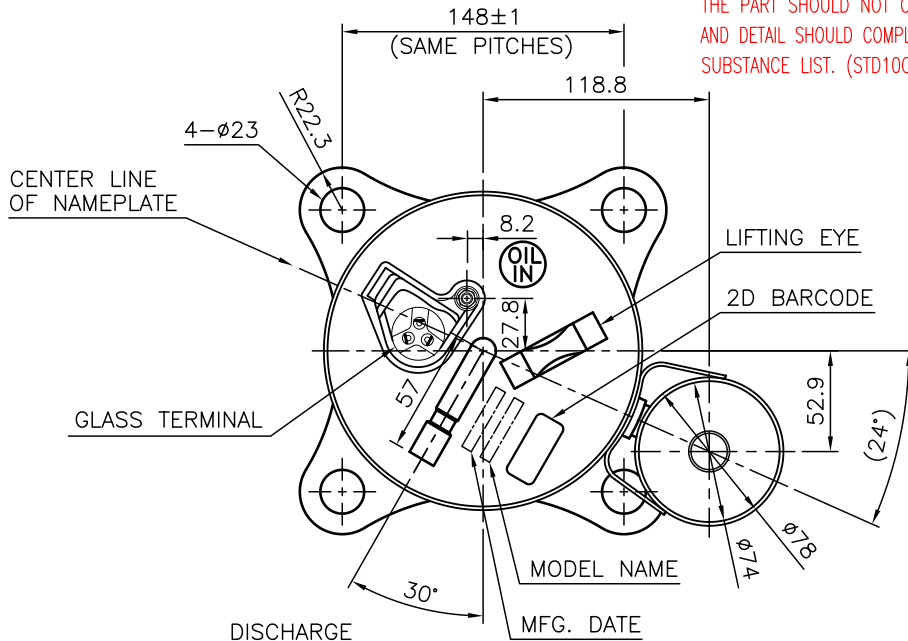
THE PART SHOULD NOT CONTAIN PROHIBITED SUBSTANCES AND DETAIL SHOULD COMPLY WITH SCI-RoHS & REACH[SVHC] SUBSTANCE LIST. (STD100001)

CONTROLLED COPY

Issued Date

18 NOV 2010

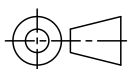
TECHNICAL DIVISION
SCI



| UNSPECIFIED TOLERANCE | |
|-----------------------|---------------|
| SIZE | ± 3 mm |
| ANGLE | $\pm 3^\circ$ |

NN SERIES "CA", "CC" TYPE

- USE FOR MODEL
- S
 - R
 - T
 - P
 - N
 - A
 - B



SIAM COMPRESSOR INDUSTRY
MITSUBISHI ELECTRIC GROUP

DIM. IN mm.

DATE 06-10-13

APPROVED

SCALE

DRAWN M.KITTISAK, K.NATTHANICHA

S.DUMRONGSAK



CHECKED J.SUPOT

DESIGNED K.CHINNAPONG

TITLE

COMPR. OUTLINE DWG.

DWG. No.

SC01D739

1/1