

K

WIRING DIAGRAM & ACCESSORY FITTING
MODEL: K SERIES

No.

SC-W-52170038-D

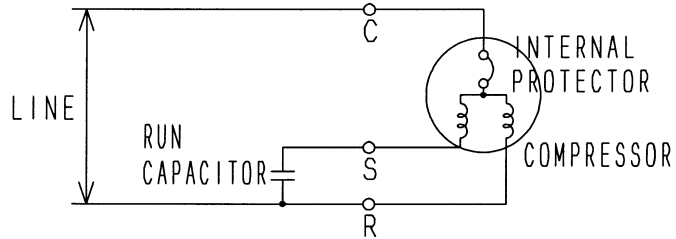
DATE OF APPROVAL

02.2.20

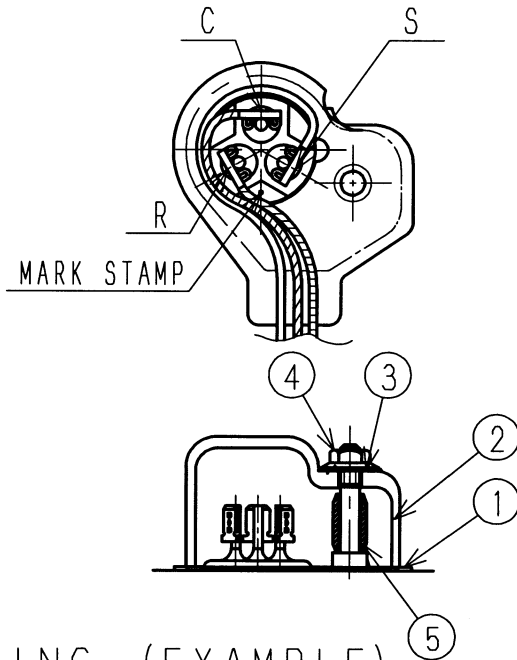
APPROVED BY

J.Y

WIRING DIAGRAM



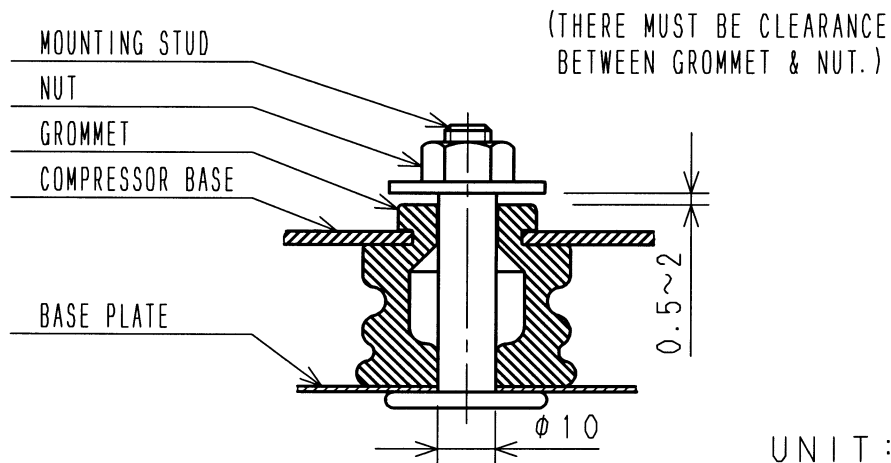
ACCESSORY FITTING



P A R T S	
1	GASKET-TERMINAL COVER
2	TERMINAL COVER
3	GASKET-NUT
4	NUT-TERMINAL COVER
5	CAP-STUD PIN

FASTEN NUT④ WITH TORQUE
15~20 kg·cm

MOUNTING (EXAMPLE)



UNIT : mm