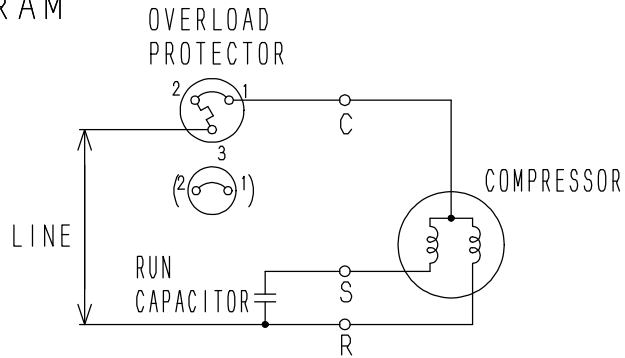
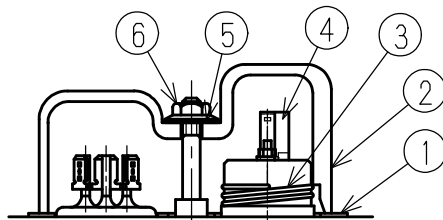
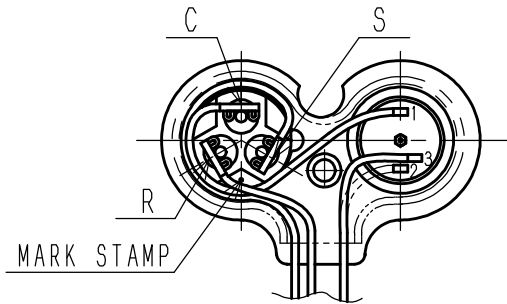


| | | | |
|---|---|------------------|-----------------|
| P | WIRING DIAGRAM & ACCESSORY FITTING MODEL: P SERIES | No. | SC-W-52170043-A |
| | | DATE OF APPROVAL | MAY. 01. '85 |
| | | APPROVED BY | Y. SANO |

WIRING DIAGRAM



ACCESSORY FITTING



| P A R T S | |
|-----------|-----------------------|
| 1 | GASKET-TERMINAL COVER |
| 2 | TERMINAL COVER |
| 3 | SPRING-OLP HOLD DOWN |
| 4 | OVERLOAD PROTECTOR |
| 5 | GASKET-NUT |
| 6 | NUT-TERMINAL COVER |

FASTEN NUT⑥ WITH TORQUE
15~20 kg-cm

MOUNTING (EXAMPLE)

