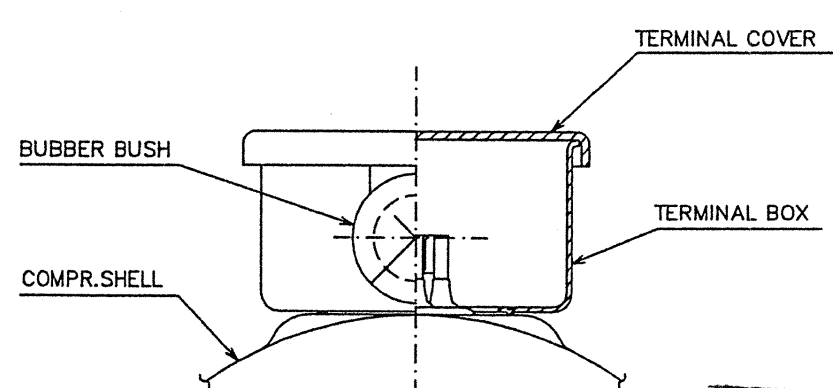
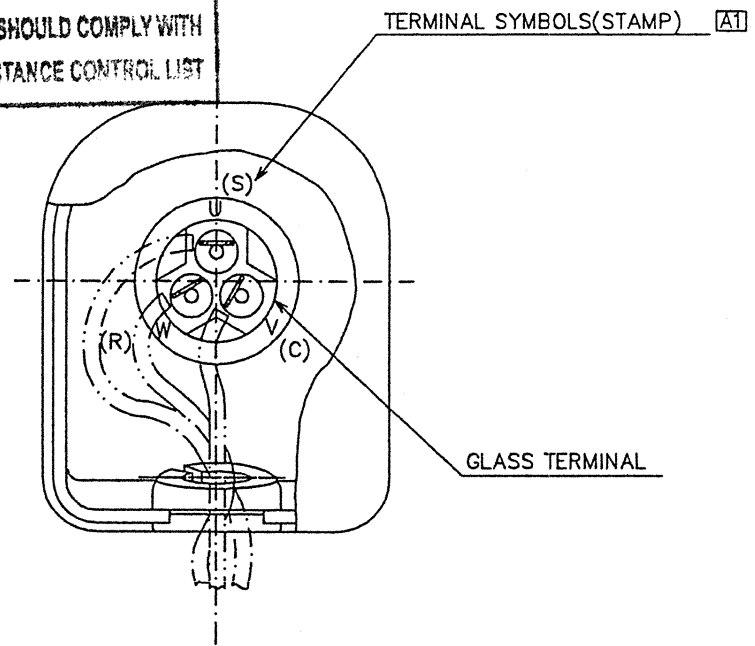


SPECIAL NOTE
 THE PART SHOULD NOT CONTAIN PROHIBITED SUBSTANCE
 (Pb, Cd, Hg, Cr+6, PBB, PBDE) AND DETAIL SHOULD COMPLY WITH
 MITSUBISHI ELECTRIC CHEMICAL SUBSTANCE CONTROL LIST



CONTROLLED COPY
 Issued Date
 04 AUG 2003
 TECHNICAL DIVISION
 SCI

変更 CHANGE
 [AT] WAS ADDED.
 03-02-06
 AONO, SUGI
 A
 TERMINAL SYMB
 - OL POSITION
 WAS REVISED.
 03-08-04
 KAJI, SANO
 B

出図先		MITSUBISHI ELECTRIC CORPORATION			TERMINAL PART ASSY
DIM.IN	DATE	02-05-30	APPROVED		
SCALE	DRAWN	Y.AONO	T.YAMAMOTO S.SEKIYA		VCS01F449
NTS	CHECK	F.SANO			
	DESIGN	T.FUSHIKI			