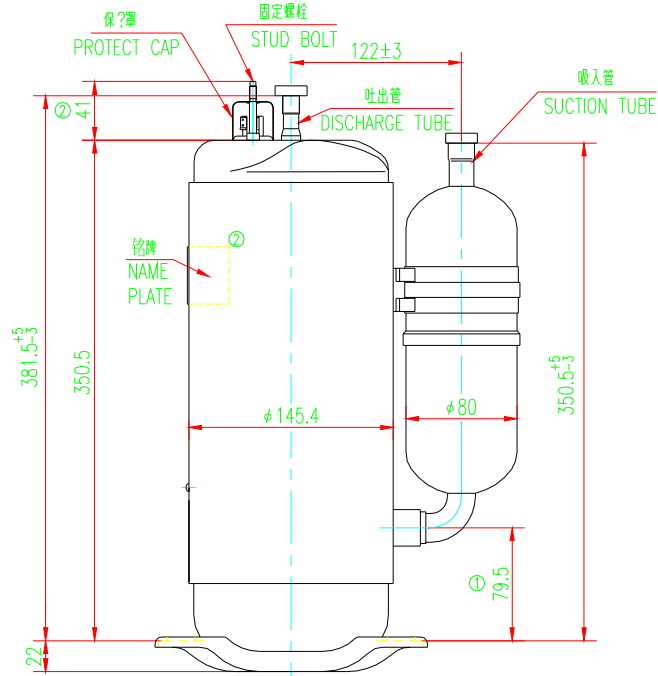
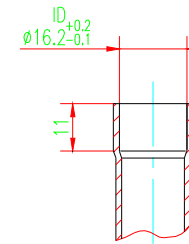
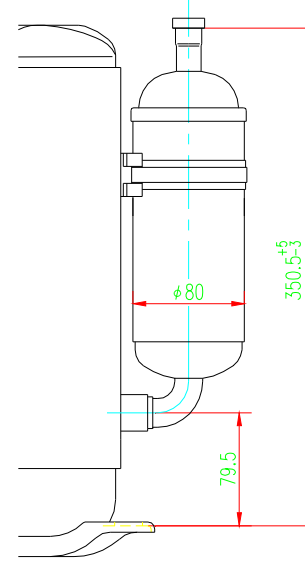


1K229032Gr  
DRAWING NO.

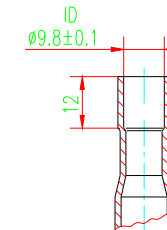
TOSHIBA



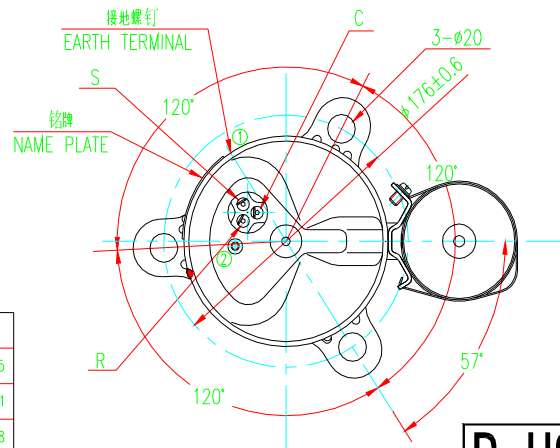
③ ACCUM?其它外形??



吸入管??  
SUCTION TUBE



吐出管??  
DISCHARGE TUBE



③	PA331X3CS-4MUL	09. 11. 15
③	PA311X3CS-4MUL	09. 11. 15
	PA310X3CS-4MU1	04. 06. 22
	PA330X3CS-4MU1	04. 06. 22
	机?名	年 月 日

③	3	71JD092456		09.11.15
②	3	71JD07458	袁?林	07.09.01
①	3	SB-06003	梁白?	06.02.28
??	数	更改文件号	字	日期
MARK	NUM	REV NO	MODIFIED BY	DATE

RoHS

DESIGNED BY	黄水松	TECHNOLOGY	?
DRAWN BY	?	STANDARD	?
CHECKED BY	?	APPROVED BY	?
AGREED BY	?	DATE	?

Gr	12
DESIGNING NO	1K229032Gr
TITLE	外形?
EXTER	DRAW EXTER
COMPANY	广?美芝制冷??有限公司
COMPANY	GUANGDONG MEIZHI COMPRESSOR LTD

STAGE OF DRAWING	重量	WEIGHT	比例	SCALE
1	9	9		
共? TOTAL PAGE	第? PAGE NO			