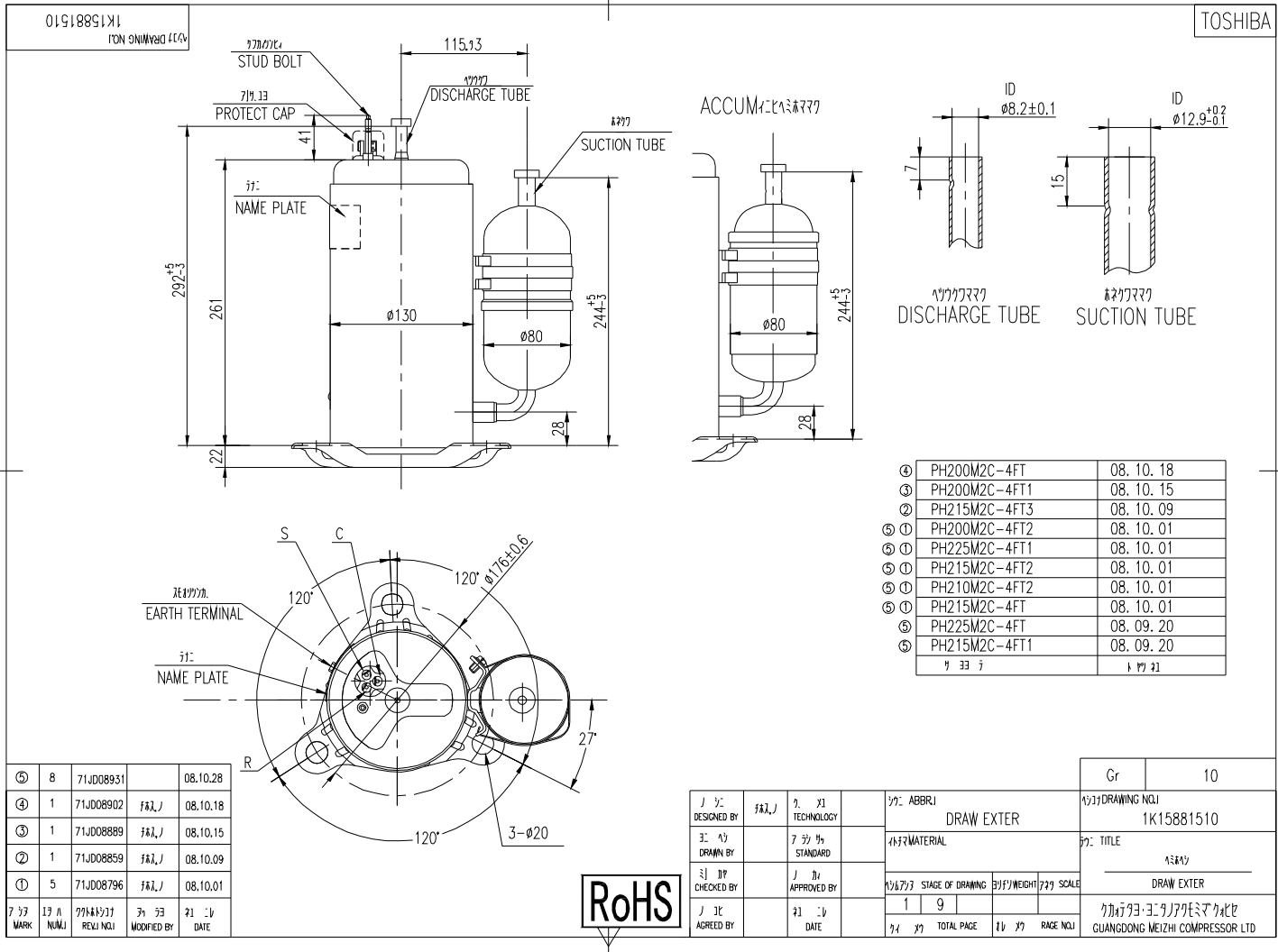


GMCC

PH250M2C-4FT1



1K15881510
DRAWING NO.

TOSHIBA

④	PH200M2C-4FT	08. 10. 18
③	PH200M2C-4FT1	08. 10. 15
②	PH215M2C-4FT3	08. 10. 09
⑤①	PH200M2C-4FT2	08. 10. 01
⑤①	PH225M2C-4FT1	08. 10. 01
⑤①	PH215M2C-4FT2	08. 10. 01
⑤①	PH210M2C-4FT2	08. 10. 01
⑤①	PH215M2C-4FT	08. 10. 01
⑤	PH225M2C-4FT	08. 09. 20
⑤	PH215M2C-4FT1	08. 09. 20
⑤ ③ ①		① ② ③

⑤	8	71JD08931		08.10.28
④	1	71JD08902	①	08.10.18
③	1	71JD08889	①	08.10.15
②	1	71JD08859	①	08.10.09
①	5	71JD08796	①	08.10.01
7 ③	① ②	③ ④ ⑤ ⑥	⑦ ⑧	⑨ ⑩
MARK	REV	REV	MODIFIED BY	DATE

RoHS

DESIGNED BY	①	TECHNOLOGY	②	ABBRI	③	Gr	10
DRAWN BY	④	STANDARD	⑤	DRAW EXTER	DRAWING NOJ 1K15881510		
CHECKED BY	⑥	APPROVED BY	⑦	MATERIAL	TITLE ⑧		
AGREED BY	⑨	DATE	⑩	STAGE OF DRAWING	⑪	WEIGHT	⑫
				1	9		SCALE
				⑬	⑭	⑮	⑯
				TOTAL PAGE	⑰	RANGE NOJ	⑱
							⑲
							⑳
							㉑
							㉒
							㉓
							㉔
							㉕
							㉖
							㉗
							㉘
							㉙
							㉚
							㉛
							㉜
							㉝
							㉞
							㉟
							㊱
							㊲
							㊳
							㊴
							㊵
							㊶
							㊷
							㊸
							㊹
							㊺
							㊻
							㊼
							㊽
							㊾
							㊿
							①
							②
							③
							④
							⑤
							⑥
							⑦
							⑧
							⑨
							⑩
							⑪
							⑫
							⑬
							⑭
							⑮
							⑯
							⑰
							⑱
							⑲
							㉑
							㉒
							㉓
							㉔
							㉕
							㉖
							㉗
							㉘
							㉙
							㉚
							㉛
							㉜
							㉝
							㉞
							㉟
							㊱
							㊲
							㊳
							㊴
							㊵
							㊶
							㊷
							㊸
							㊹
							㊺
							㊻
							㊼
							㊽
							㊾
							㊿
							①
							②
							③
							④
							⑤
							⑥
							⑦
							⑧
							⑨
							⑩
							⑪
							⑫
							⑬
							⑭
							⑮
							⑯
							⑰
							⑱
							⑲
							㉑
							㉒
							㉓
							㉔
							㉕
							㉖
							㉗
							㉘
							㉙
							㉚
							㉛
							㉜
							㉝
							㉞
							㉟
							㊱
							㊲
							㊳
							㊴
							㊵
							㊶
							㊷
							㊸
							㊹
							㊺
							㊻
							㊼
							㊽
							㊾
							㊿
							①
							②
							③
							④
							⑤
							⑥
							⑦
							⑧
							⑨
							⑩
							⑪
							⑫
							⑬
							⑭
							⑮
							⑯
							⑰
							⑱
							⑲
							㉑
							㉒
							㉓
							㉔
							㉕
							㉖
							㉗
							㉘
							㉙
							㉚
							㉛
							㉜
							㉝
							㉞
							㉟
							㊱
							㊲
							㊳
							㊴
							㊵
							㊶
							㊷
							㊸
							㊹
							㊺
							㊻
							㊼
							㊽
							㊾
							㊿
							①
							②
							③
							④
							⑤
							⑥
							⑦
							⑧
							⑨
							⑩
							⑪
							⑫
							⑬
							⑭
							⑮
							⑯
							⑰
							⑱
							⑲
							㉑
							㉒