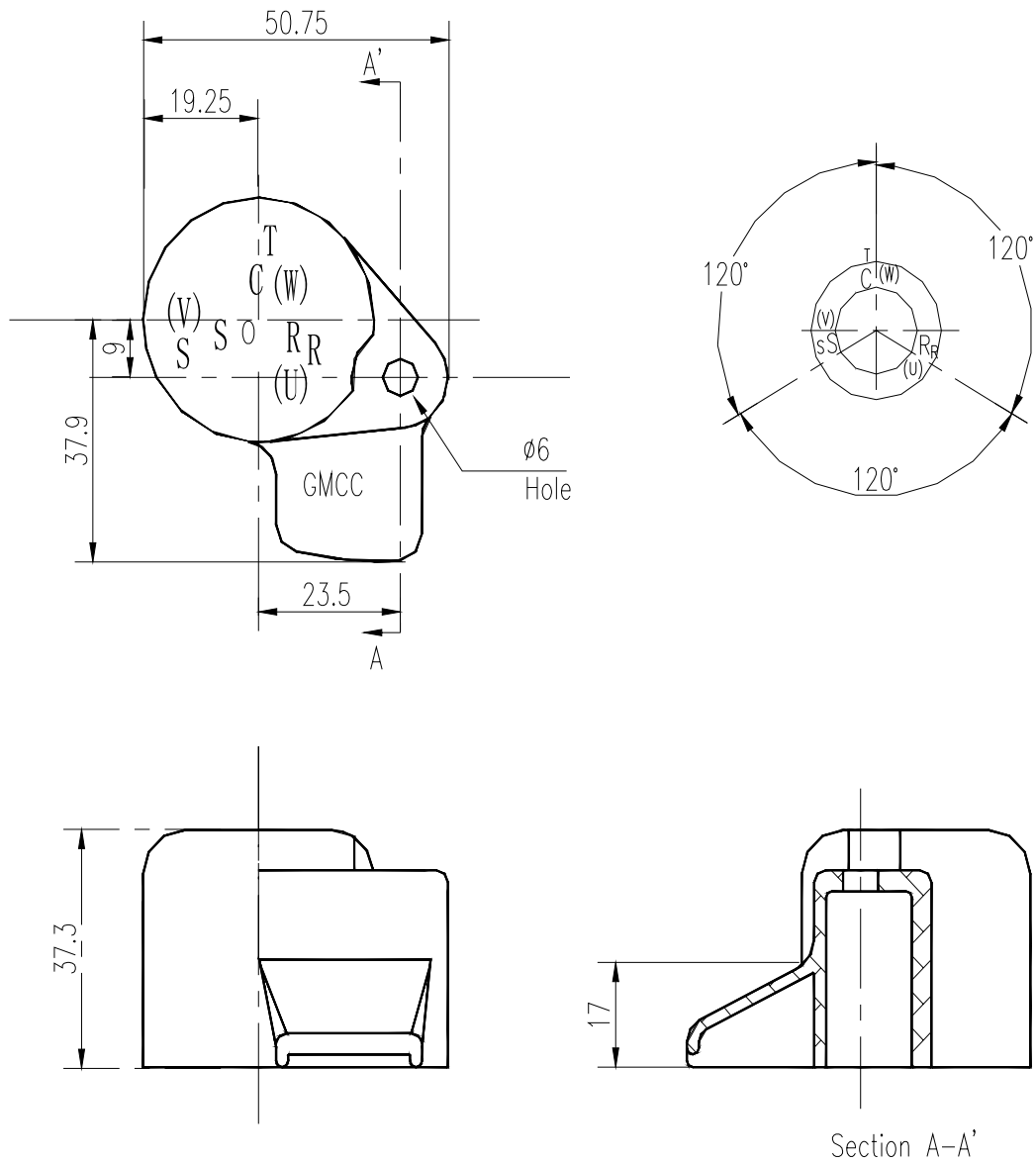


TERMINAL COVER



NOTES

MATERIAL:Polycarbonate or Equivalent

COLOR:BLACK