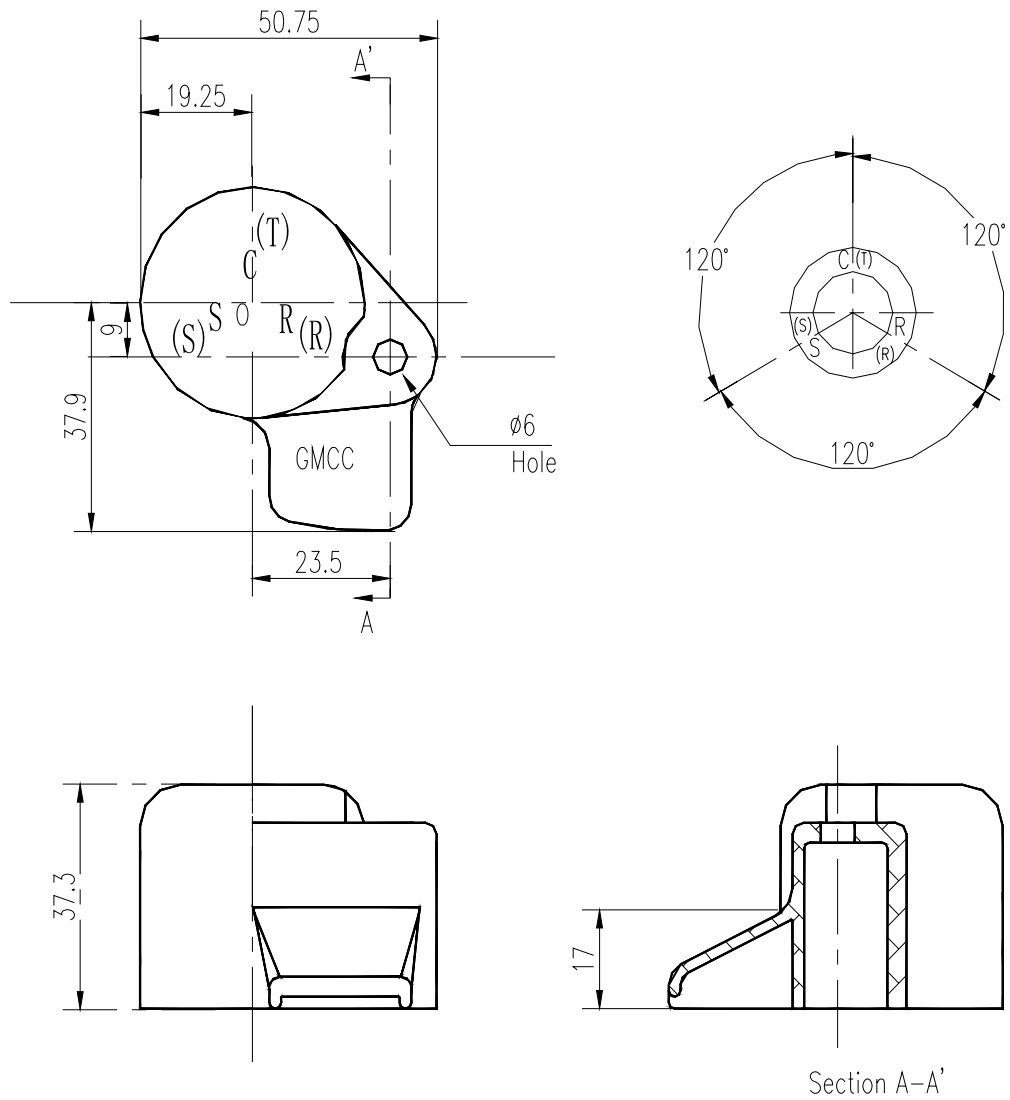


TERMINAL COVER



NOTES
 MATERIAL:POLYCARBONATE
 COLOR:BLACK