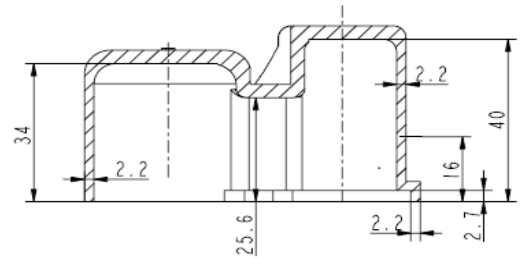
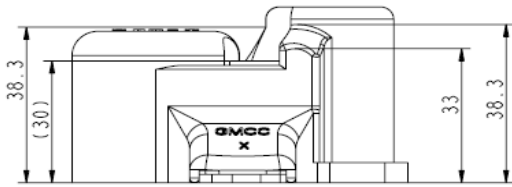
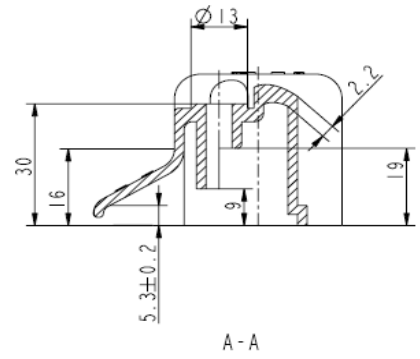
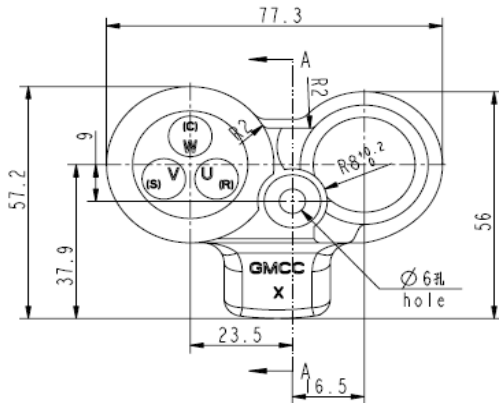


TERMI COVER



NOTES

MATERIAL: POLYCARBONATE or POLYBUTYLENE
 TEREPHTHALATE or Bulk molding compound
 COLOR: BLACK