

ENGINEERING
TOMORROW

Danfoss

Datasheets

Danfoss scroll compressors **H series**



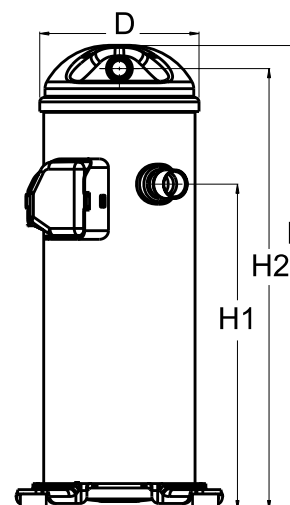
FRCC.UD.180315.135938

www.danfoss.com/odsg

General Characteristics

Model number (on compressor nameplate)		HCJ105T4LC6
Code number for Singlepack*		120U2322
Code number for Industrial pack**		120U2319
Drawing number		0SR7596B
Suction and discharge connections		Brazed
Suction connection		1-1/8" ODF
Discharge connection		7/8" ODF
Oil sight glass		None
Oil equalisation connection		None
Oil drain connection		None
LP gauge port		None
IPR valve		None
Swept volume		101,6 cm ³ /rev
Displacement @ Nominal speed		17.7 m ³ /h @ 2900 rpm - 21.3 m ³ /h @ 3500 rpm
Net weight		45,2 kg
Oil charge		2,66 litre, PVE --
Maximum system test pressure Low Side / High side		- bar(g) / - bar(g)
Maximum differential test pressure		- bar
Maximum number of starts per hour		-
Refrigerant charge limit		7,26 kg
Approved refrigerants		R410A

Dimensions



D=184 mm

H=537 mm

H1=377 mm

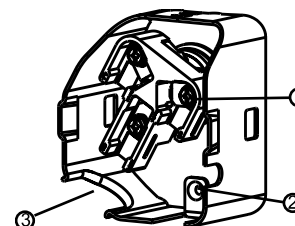
H2=510 mm

H3=- mm

Electrical Characteristics

Nominal voltage	380-415V/3/50Hz - 460V/3/60Hz
Voltage range	342-457 V @ 50Hz - 414-506 V @ 60Hz
Winding resistance between phases 1-2 +/- 7% at 25°C	1.29 Ω
Winding resistance between phases 1-3 +/- 7% at 25°C	1.28 Ω
Winding resistance between phases 2-3 +/- 7% at 25°C	1.33 Ω
Rated Load Amps (RLA)	16.0 A
Maximum Continuous Current (MCC)	25.0 A
Locked Rotor Amps (LRA)	110.0 A
Motor protection	Internal overload protector

Terminal box



IP22

1: Screw connectors 10-32 UNF x 9.5

2: Earth connection

3: Power cable passage

Recommended Installation torques

Oil sight glass	52,5 Nm
Power connections / Earth connection	3 Nm / 2 Nm

Parts shipped with compressor

Mounting kit with grommets and sleeves
Initial oil charge
Installation instructions

Approvals : CE certified, UL certified (file SA11565), -

*Singlepack: Compressor in cardboard box

**Industrial pack: 12 or 16 Unboxed compressors on pallet

Rotolock accessories, suction side

Code no.

Solder sleeve, P02 (1-3/4" Rotolock, 1-1/8" ODF)	8153004
Angle adapter, C02 (1-3/4" Rotolock, 1-1/8" ODF)	8168005
Rotolock valve, V02 (1-3/4" Rotolock, 1-1/8" ODF)	8168028
Gasket, 1-3/4"	8156132

Rotolock accessories, discharge side

Code no.

Rotolock valve, V05 (1-1/4" Rotolock, 7/8" ODF)	8168030
Gasket, 1-3/4"	8156132

Rotolock accessories, sets

Code no.

Solder sleeve adapter set (1-3/4" Rotolock, 1-1/8" ODF), (1-1/4" Rotolock, 7/8" ODF)	120Z0125
Valve set, V02(1"3/4~1"1/8), V05(1"1/4~7/8")	120Z0403
Gasket set, 1", 1-1/4", 1-3/4", OSG gaskets black & white	8156009

Oil / lubricants

Code no.

PVE lubricant, 320HV (FVC68D), 1 litre can	120Z5034
--	----------

Crankcase heaters

Code no.

Belt type crankcase heater, 65 W, 230 V, CE mark, UL	120Z0059
Belt type crankcase heater, 65 W, 400 V, CE mark, UL	120Z0060
Belt type crankcase heater, 70 W, 240 V, CE mark, UL	120Z5040
Belt type crankcase heater, 70 W, 240 V, CE mark, UL	120Z5040

Miscellaneous accessories

Code no.

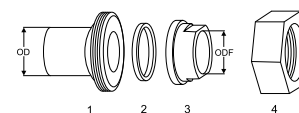
Acoustic hood	120Z5045
Discharge thermostat kit	7750009

Spare parts

Code no.

Mounting kit for 1 scroll compressor including 4 grommets, 4 sleeves, 4 bolts, 4 washers	120Z5005
Mounting kit, including 1 bolt, 1 sleeve, 1 washer	120Z5031

Solder sleeve adapter set



- 1: Rotolock adapter (Suc & Dis)
- 2: Gasket (Suc & Dis)
- 3: Solder sleeve (Suc & Dis)
- 4: Rotolock nut (Suc & Dis)

Performance data at 50 Hz, EN 12900 rating conditions

R410A

Cond. temp. in °C (tc)	Evaporating temperature in °C (to)							
	-25	-20	-15	-10	-5	0	5	10

Cooling capacity in W

30	8 965	11 468	14 212	17 331	20 960	25 233	30 286	36 255	-
35	8 158	10 671	13 356	16 346	19 773	23 772	28 478	34 024	-
40	7 252	9 795	12 441	15 322	18 569	22 316	26 696	31 843	-
45	-	8 815	11 441	14 232	17 320	20 835	24 911	29 679	-
50	-	-	10 329	13 048	15 995	19 298	23 088	27 497	-
55	-	-	-	11 740	14 559	17 665	21 186	25 250	-
60	-	-	-	-	12 968	15 885	19 144	22 872	-
65	-	-	-	-	-	13 868	16 858	20 239	-

Power input in W

30	4 939	4 988	4 999	4 994	4 995	5 025	5 106	5 259	-
35	5 402	5 485	5 517	5 522	5 520	5 534	5 586	5 699	-
40	5 907	6 030	6 089	6 108	6 107	6 110	6 139	6 216	-
45	-	6 630	6 722	6 759	6 766	6 763	6 773	6 819	-
50	-	-	7 422	7 484	7 502	7 499	7 496	7 516	-
55	-	-	-	8 289	8 324	8 325	8 314	8 313	-
60	-	-	-	-	9 239	9 250	9 235	9 219	-
65	-	-	-	-	-	10 280	10 267	10 240	-

Current consumption in A

30	10.96	11.03	11.11	11.20	11.29	11.36	11.39	11.39	-
35	11.61	11.62	11.67	11.75	11.84	11.94	12.03	12.10	-
40	12.41	12.35	12.34	12.39	12.47	12.58	12.71	12.84	-
45	-	13.27	13.19	13.19	13.24	13.35	13.49	13.66	-
50	-	-	14.27	14.20	14.21	14.28	14.42	14.61	-
55	-	-	-	15.46	15.41	15.44	15.56	15.75	-
60	-	-	-	-	16.90	16.88	16.96	17.13	-
65	-	-	-	-	-	18.64	18.66	18.80	-

Mass flow in kg/h

30	188	236	288	347	415	495	588	699	-
35	181	231	285	344	411	489	580	686	-
40	171	225	280	341	408	484	572	675	-
45	-	216	274	335	403	479	565	666	-
50	-	-	265	328	397	473	558	656	-
55	-	-	-	318	389	465	550	647	-
60	-	-	-	-	378	455	541	636	-
65	-	-	-	-	-	443	529	624	-

Coefficient of performance (C.O.P.)

30	1.82	2.30	2.84	3.47	4.20	5.02	5.93	6.89	-
35	1.51	1.95	2.42	2.96	3.58	4.30	5.10	5.97	-
40	1.23	1.62	2.04	2.51	3.04	3.65	4.35	5.12	-
45	-	1.33	1.70	2.11	2.56	3.08	3.68	4.35	-
50	-	-	1.39	1.74	2.13	2.57	3.08	3.66	-
55	-	-	-	1.42	1.75	2.12	2.55	3.04	-
60	-	-	-	-	1.40	1.72	2.07	2.48	-
65	-	-	-	-	-	1.35	1.64	1.98	-

Nominal performance at to = 5 °C, tc = 50 °C

Cooling capacity	23 088	W
Power input	7 496	W
Current consumption	14.42	A
Mass flow	558	kg/h
C.O.P.	3.08	

Pressure switch settings

Maximum HP switch setting	45	bar(g)
Minimum LP switch setting	1.5	bar(g)
LP pump down setting	2.3	bar(g)

Sound power data

Sound power level	73	dB(A)
With acoustic hood	68	dB(A)

to: Evaporating temperature at dew point

tc: Condensing temperature at dew point

Rating conditions : Superheat = 10 K , Subcooling = 0 K

All performance data +/- 5%

Danfoss can accept no responsibility for possible errors in catalogues, brochures and other printed material. Danfoss reserves the right to alter its products without notice. This also applies to products already on order provided that such alternations can be made without subsequential changes being necessary in specifications already agreed. All trademarks in this material are property of the respective companies. Danfoss and the Danfoss logotype are trademarks of Danfoss A/S. All rights reserved.

Performance data at 50 Hz, ARI rating conditions

R410A

Cond. temp. in °C (tc)	Evaporating temperature in °C (to)							
	-25	-20	-15	-10	-5	0	5	10

Cooling capacity in W

30	9 682	12 372	15 317	18 660	22 547	27 120	32 525	38 904	-
35	8 867	11 586	14 484	17 707	21 398	25 701	30 761	36 721	-
40	7 944	10 715	13 593	16 719	20 240	24 298	29 038	34 604	-
45	-	9 734	12 615	15 671	19 046	22 884	27 329	32 525	-
50	-	-	11 524	14 533	17 788	21 431	25 606	30 458	-
55	-	-	-	13 280	16 439	19 911	23 842	28 374	-
60	-	-	-	-	14 971	18 298	22 009	26 247	-
65	-	-	-	-	-	16 564	20 080	24 048	-

Power input in W

30	4 939	4 988	4 999	4 994	4 995	5 025	5 106	5 259	-
35	5 402	5 485	5 517	5 522	5 520	5 534	5 586	5 699	-
40	5 907	6 030	6 089	6 108	6 107	6 110	6 139	6 216	-
45	-	6 630	6 722	6 759	6 766	6 763	6 773	6 819	-
50	-	-	7 422	7 484	7 502	7 499	7 496	7 516	-
55	-	-	-	8 289	8 324	8 325	8 314	8 313	-
60	-	-	-	-	9 239	9 250	9 235	9 219	-
65	-	-	-	-	-	10 280	10 267	10 240	-

Current consumption in A

30	10.96	11.03	11.11	11.20	11.29	11.36	11.39	11.39	-
35	11.61	11.62	11.67	11.75	11.84	11.94	12.03	12.10	-
40	12.41	12.35	12.34	12.39	12.47	12.58	12.71	12.84	-
45	-	13.27	13.19	13.19	13.24	13.35	13.49	13.66	-
50	-	-	14.27	14.20	14.21	14.28	14.42	14.61	-
55	-	-	-	15.46	15.41	15.44	15.56	15.75	-
60	-	-	-	-	16.90	16.88	16.96	17.13	-
65	-	-	-	-	-	18.64	18.66	18.80	-

Mass flow in kg/h

30	186	235	287	345	412	491	584	694	-
35	180	230	283	342	409	486	576	681	-
40	170	223	279	338	405	481	568	670	-
45	-	214	272	333	400	476	562	661	-
50	-	-	263	326	394	470	554	652	-
55	-	-	-	317	386	462	547	642	-
60	-	-	-	-	375	452	537	632	-
65	-	-	-	-	-	440	525	620	-

Coefficient of performance (C.O.P.)

30	1.96	2.48	3.06	3.74	4.51	5.40	6.37	7.40	-
35	1.64	2.11	2.63	3.21	3.88	4.64	5.51	6.44	-
40	1.34	1.78	2.23	2.74	3.31	3.98	4.73	5.57	-
45	-	1.47	1.88	2.32	2.82	3.38	4.03	4.77	-
50	-	-	1.55	1.94	2.37	2.86	3.42	4.05	-
55	-	-	-	1.60	1.97	2.39	2.87	3.41	-
60	-	-	-	-	1.62	1.98	2.38	2.85	-
65	-	-	-	-	-	1.61	1.96	2.35	-

Nominal performance at to = 7.2 °C, tc = 54.4 °C

Cooling capacity	25 983	W
Power input	8 208	W
Current consumption	15.49	A
Mass flow	588	kg/h
C.O.P.	3.17	

Pressure switch settings

Maximum HP switch setting	45	bar(g)
Minimum LP switch setting	1.5	bar(g)
LP pump down setting	2.3	bar(g)

Sound power data

Sound power level	73	dB(A)
With acoustic hood	68	dB(A)

to: Evaporating temperature at dew point

tc: Condensing temperature at dew point

Rating conditions : Superheat = 11.1 K , Subcooling = 8.3 K

All performance data +/- 5%

Danfoss can accept no responsibility for possible errors in catalogues, brochures and other printed material. Danfoss reserves the right to alter its products without notice. This also applies to products already on order provided that such alternations can be made without subsequential changes being necessary in specifications already agreed. All trademarks in this material are property of the respective companies. Danfoss and the Danfoss logotype are trademarks of Danfoss A/S. All rights reserved.

Performance data at 60 Hz, EN 12900 rating conditions

R410A

Cond. temp. in °C (tc)	Evaporating temperature in °C (to)							
	-25	-20	-15	-10	-5	0	5	10

Cooling capacity in W

30	10 623	13 732	17 163	21 018	25 398	30 407	36 146	42 718	-
35	9 731	12 719	15 998	19 670	23 835	28 597	34 057	40 316	-
40	8 832	11 701	14 832	18 324	22 279	26 796	31 979	37 928	-
45	-	10 640	13 624	16 939	20 684	24 960	29 867	35 506	-
50	-	-	12 333	15 470	19 007	23 040	27 671	32 998	-
55	-	-	-	13 873	17 197	20 985	25 334	30 343	-
60	-	-	-	-	15 195	18 725	22 779	27 454	-
65	-	-	-	-	-	16 153	19 878	24 178	-

Power input in W

30	5 423	5 514	5 598	5 691	5 808	5 964	6 177	6 460	-
35	6 030	6 126	6 207	6 288	6 385	6 514	6 690	6 929	-
40	6 701	6 809	6 893	6 970	7 054	7 162	7 309	7 511	-
45	-	7 563	7 658	7 737	7 816	7 910	8 034	8 206	-
50	-	-	8 502	8 590	8 670	8 757	8 866	9 014	-
55	-	-	-	9 530	9 618	9 705	9 806	9 937	-
60	-	-	-	-	10 660	10 754	10 854	10 976	-
65	-	-	-	-	-	11 905	12 011	12 130	-

Current consumption in A

30	10.48	10.55	10.63	10.71	10.81	10.93	11.09	11.29	-
35	11.02	11.12	11.21	11.30	11.39	11.49	11.62	11.78	-
40	11.61	11.75	11.87	11.97	12.07	12.16	12.27	12.40	-
45	-	12.45	12.61	12.74	12.85	12.95	13.06	13.17	-
50	-	-	13.44	13.61	13.76	13.88	13.99	14.10	-
55	-	-	-	14.61	14.79	14.95	15.08	15.19	-
60	-	-	-	-	15.97	16.17	16.33	16.47	-
65	-	-	-	-	-	17.55	17.77	17.94	-

Mass flow in kg/h

30	236	302	372	449	535	632	743	870	-
35	226	291	361	437	523	619	729	854	-
40	215	280	350	425	510	606	715	838	-
45	-	268	337	412	496	591	699	822	-
50	-	-	322	397	480	574	681	802	-
55	-	-	-	378	461	554	660	780	-
60	-	-	-	-	437	529	634	753	-
65	-	-	-	-	-	499	603	721	-

Coefficient of performance (C.O.P.)

30	1.96	2.49	3.07	3.69	4.37	5.10	5.85	6.61	-
35	1.61	2.08	2.58	3.13	3.73	4.39	5.09	5.82	-
40	1.32	1.72	2.15	2.63	3.16	3.74	4.38	5.05	-
45	-	1.41	1.78	2.19	2.65	3.16	3.72	4.33	-
50	-	-	1.45	1.80	2.19	2.63	3.12	3.66	-
55	-	-	-	1.46	1.79	2.16	2.58	3.05	-
60	-	-	-	-	1.43	1.74	2.10	2.50	-
65	-	-	-	-	-	1.36	1.66	1.99	-

Nominal performance at to = 5 °C, tc = 50 °C

Cooling capacity	27 671	W
Power input	8 866	W
Current consumption	13.99	A
Mass flow	681	kg/h
C.O.P.	3.12	

Pressure switch settings

Maximum HP switch setting	45	bar(g)
Minimum LP switch setting	1.5	bar(g)
LP pump down setting	2.3	bar(g)

Sound power data

Sound power level	76	dB(A)
With acoustic hood	71	dB(A)

to: Evaporating temperature at dew point

tc: Condensing temperature at dew point

Rating conditions : Superheat = 10 K, Subcooling = 0 K

All performance data +/- 5%

Danfoss can accept no responsibility for possible errors in catalogues, brochures and other printed material. Danfoss reserves the right to alter its products without notice. This also applies to products already on order provided that such alternations can be made without subsequential changes being necessary in specifications already agreed. All trademarks in this material are property of the respective companies. Danfoss and the Danfoss logotype are trademarks of Danfoss A/S. All rights reserved.

Performance data at 60 Hz, ARI rating conditions

R410A

Cond. temp. in °C (tc)	Evaporating temperature in °C (to)							
	-25	-20	-15	-10	-5	0	5	10

Cooling capacity in W

30	11 472	14 814	18 497	22 629	27 321	32 680	38 817	45 840	-
35	10 577	13 808	17 348	21 307	25 794	30 918	36 787	43 512	-
40	9 676	12 801	16 205	19 996	24 283	29 177	34 785	41 216	-
45	-	11 750	15 022	18 651	22 745	27 414	32 766	38 911	-
50	-	-	13 759	17 231	21 137	25 587	30 689	36 552	-
55	-	-	-	15 693	19 417	23 653	28 510	34 097	-
60	-	-	-	-	17 541	21 569	26 187	31 504	-
65	-	-	-	-	-	19 293	23 677	28 729	-

Power input in W

30	5 423	5 514	5 598	5 691	5 808	5 964	6 177	6 460	-
35	6 030	6 126	6 207	6 288	6 385	6 514	6 690	6 929	-
40	6 701	6 809	6 893	6 970	7 054	7 162	7 309	7 511	-
45	-	7 563	7 658	7 737	7 816	7 910	8 034	8 206	-
50	-	-	8 502	8 590	8 670	8 757	8 866	9 014	-
55	-	-	-	9 530	9 618	9 705	9 806	9 937	-
60	-	-	-	-	10 660	10 754	10 854	10 976	-
65	-	-	-	-	-	11 905	12 011	12 130	-

Current consumption in A

30	10.48	10.55	10.63	10.71	10.81	10.93	11.09	11.29	-
35	11.02	11.12	11.21	11.30	11.39	11.49	11.62	11.78	-
40	11.61	11.75	11.87	11.97	12.07	12.16	12.27	12.40	-
45	-	12.45	12.61	12.74	12.85	12.95	13.06	13.17	-
50	-	-	13.44	13.61	13.76	13.88	13.99	14.10	-
55	-	-	-	14.61	14.79	14.95	15.08	15.19	-
60	-	-	-	-	15.97	16.17	16.33	16.47	-
65	-	-	-	-	-	17.55	17.77	17.94	-

Mass flow in kg/h

30	235	300	370	446	532	628	738	864	-
35	225	289	359	435	519	615	724	848	-
40	214	279	347	423	507	602	710	832	-
45	-	266	335	410	493	587	694	816	-
50	-	-	320	395	477	571	676	797	-
55	-	-	-	376	458	550	655	774	-
60	-	-	-	-	434	526	630	748	-
65	-	-	-	-	-	496	599	716	-

Coefficient of performance (C.O.P.)

30	2.12	2.69	3.30	3.98	4.70	5.48	6.28	7.10	-
35	1.75	2.25	2.79	3.39	4.04	4.75	5.50	6.28	-
40	1.44	1.88	2.35	2.87	3.44	4.07	4.76	5.49	-
45	-	1.55	1.96	2.41	2.91	3.47	4.08	4.74	-
50	-	-	1.62	2.01	2.44	2.92	3.46	4.05	-
55	-	-	-	1.65	2.02	2.44	2.91	3.43	-
60	-	-	-	-	1.65	2.01	2.41	2.87	-
65	-	-	-	-	-	1.62	1.97	2.37	-

Nominal performance at to = 7.2 °C, tc = 54.4 °C

Cooling capacity	31 154	W
Power input	9 741	W
Current consumption	14.99	A
Mass flow	709	kg/h
C.O.P.	3.20	

Pressure switch settings

Maximum HP switch setting	45	bar(g)
Minimum LP switch setting	1.5	bar(g)
LP pump down setting	2.3	bar(g)

Sound power data

Sound power level	76	dB(A)
With acoustic hood	71	dB(A)

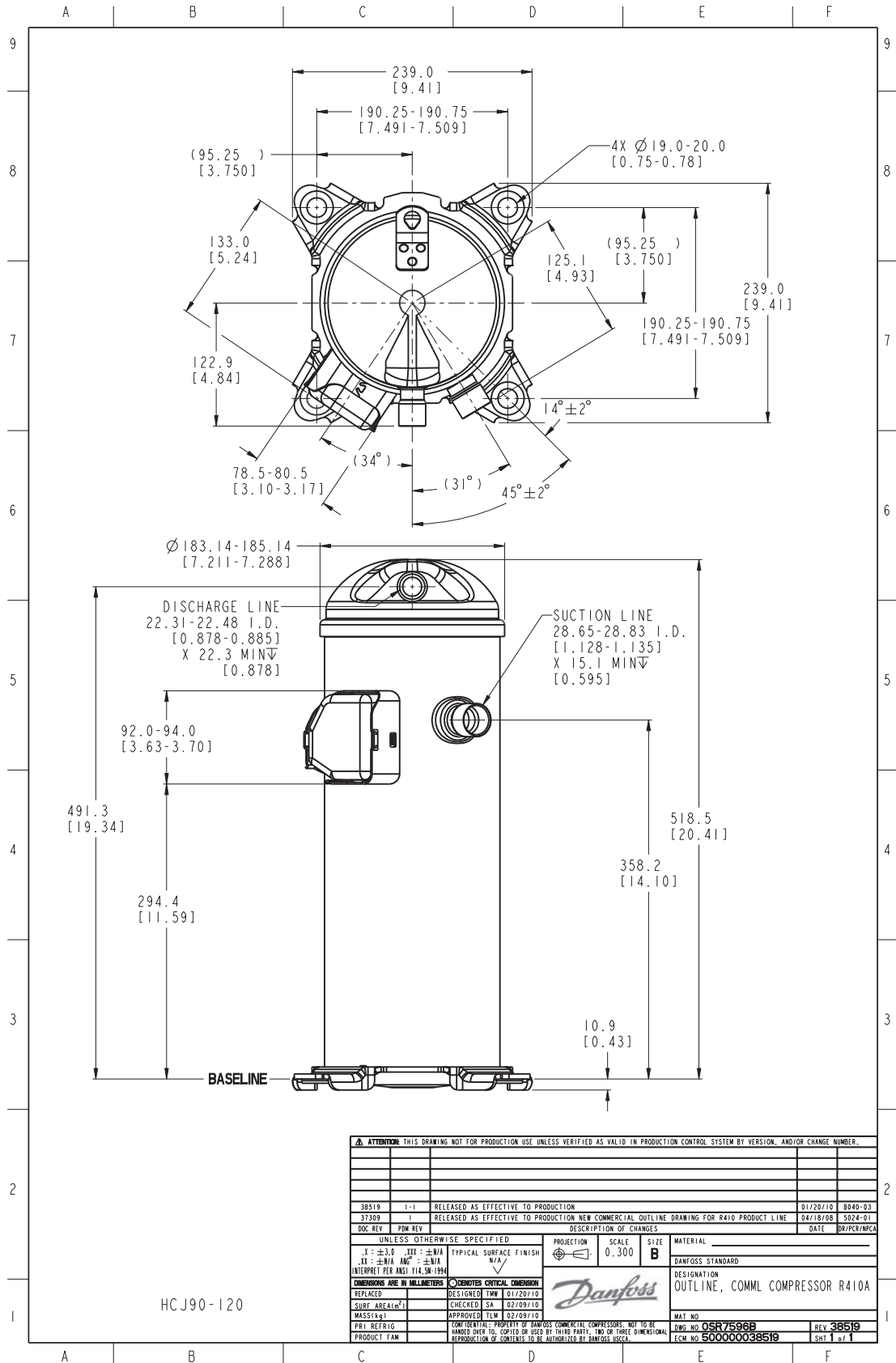
to: Evaporating temperature at dew point

tc: Condensing temperature at dew point

Rating conditions : Superheat = 11.1 K , Subcooling = 8.3 K

All performance data +/- 5%

Danfoss can accept no responsibility for possible errors in catalogues, brochures and other printed material. Danfoss reserves the right to alter its products without notice. This also applies to products already on order provided that such alternations can be made without subsequential changes being necessary in specifications already agreed. All trademarks in this material are property of the respective companies. Danfoss and the Danfoss logotype are trademarks of Danfoss A/S. All rights reserved.

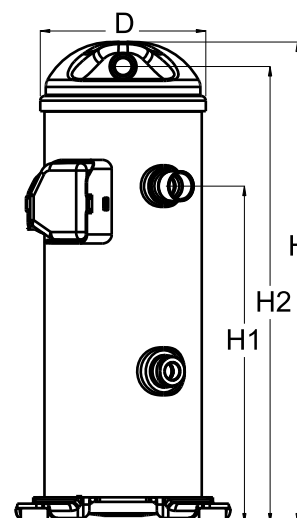


Danfoss can accept no responsibility for possible errors in catalogues, brochures and other printed material. Danfoss reserves the right to alter its products without notice. This also applies to products already on order provided that such alternations can be made without consequential changes being necessary in specifications already agreed. All trademarks in this material are property of the respective companies. Danfoss, the Danfoss logotype and Maneurop are trademarks of Danfoss A/S. All rights reserved.

General Characteristics

Model number (on compressor nameplate)		HCJ105T4LC7
Code number for Singlepack*		120U2574
Code number for Industrial pack**		120U2571
Drawing number		0SR7509B
Suction and discharge connections		Brazed
Suction connection		1-1/8" ODF
Discharge connection		7/8" ODF
Oil sight glass		Threaded
Oil equalisation connection		None
Oil drain connection		None
LP gauge port		None
IPR valve		None
Swept volume		101,6 cm ³ /rev
Displacement @ Nominal speed		17.7 m ³ /h @ 2900 rpm - 21.3 m ³ /h @ 3500 rpm
Net weight		45,2 kg
Oil charge		2,66 litre, PVE --
Maximum system test pressure Low Side / High side		- bar(g) / - bar(g)
Maximum differential test pressure		- bar
Maximum number of starts per hour		-
Refrigerant charge limit		7,26 kg
Approved refrigerants		R410A

Dimensions

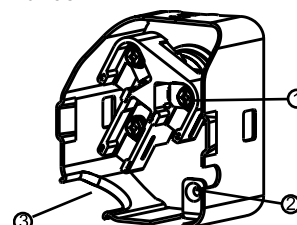


D=184 mm
H=537 mm
H1=377 mm
H2=510 mm
H3=- mm

Electrical Characteristics

Nominal voltage	380-415V/3/50Hz - 460V/3/60Hz
Voltage range	342-457 V @ 50Hz - 414-506 V @ 60Hz
Winding resistance between phases 1-2 +/- 7% at 25°C	1.29 Ω
Winding resistance between phases 1-3 +/- 7% at 25°C	1.28 Ω
Winding resistance between phases 2-3 +/- 7% at 25°C	1.33 Ω
Rated Load Amps (RLA)	16.0 A
Maximum Continuous Current (MCC)	25.0 A
Locked Rotor Amps (LRA)	110.0 A
Motor protection	Internal overload protector

Terminal box



IP22

- 1: Screw connectors 10-32 UNF x 9.5
- 2: Earth connection
- 3: Power cable passage

Recommended Installation torques

Oil sight glass	52,5 Nm
Power connections / Earth connection	3 Nm / 2 Nm

Parts shipped with compressor

Mounting kit with grommets and sleeves
Initial oil charge
Installation instructions

Approvals : CE certified, UL certified (file SA11565), -

*Singlepack: Compressor in cardboard box

**Industrial pack: 12 or 16 Unboxed compressors on pallet

Rotolock accessories, suction side

Code no.

Solder sleeve, P02 (1-3/4" Rotolock, 1-1/8" ODF)	8153004
Angle adapter, C02 (1-3/4" Rotolock, 1-1/8" ODF)	8168005
Rotolock valve, V02 (1-3/4" Rotolock, 1-1/8" ODF)	8168028
Gasket, 1-3/4"	8156132

Rotolock accessories, discharge side

Code no.

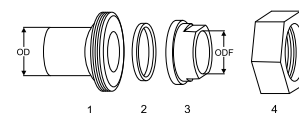
Rotolock valve, V05 (1-1/4" Rotolock, 7/8" ODF)	8168030
Gasket, 1-3/4"	8156132

Rotolock accessories, sets

Code no.

Solder sleeve adapter set (1-3/4" Rotolock, 1-1/8" ODF), (1-1/4" Rotolock, 7/8" ODF)	120Z0125
Valve set, V02(1"3/4~1"1/8), V05(1"1/4~7/8")	120Z0403
Gasket set, 1", 1-1/4", 1-3/4", OSG gaskets black & white	8156009

Solder sleeve adapter set



- 1: Rotolock adapter (Suc & Dis)
- 2: Gasket (Suc & Dis)
- 3: Solder sleeve (Suc & Dis)
- 4: Rotolock nut (Suc & Dis)

Oil / lubricants

Code no.

PVE lubricant, 320HV (FVC68D), 1 litre can	120Z5034
--	----------

Crankcase heaters

Code no.

Belt type crankcase heater, 65 W, 230 V, CE mark, UL	120Z0059
Belt type crankcase heater, 65 W, 400 V, CE mark, UL	120Z0060
Belt type crankcase heater, 70 W, 240 V, CE mark, UL	120Z5040
Belt type crankcase heater, 70 W, 240 V, CE mark, UL	120Z5040

Miscellaneous accessories

Code no.

Acoustic hood	120Z5045
Discharge thermostat kit	7750009

Spare parts

Code no.

Mounting kit for 1 scroll compressor including 4 grommets, 4 sleeves, 4 bolts, 4 washers	120Z5005
Mounting kit, including 1 bolt, 1 sleeve, 1 washer	120Z5031

Performance data at 50 Hz, EN 12900 rating conditions

R410A

Cond. temp. in °C (tc)	Evaporating temperature in °C (to)							
	-25	-20	-15	-10	-5	0	5	10

Cooling capacity in W

30	8 965	11 468	14 212	17 331	20 960	25 233	30 286	36 255	-
35	8 158	10 671	13 356	16 346	19 773	23 772	28 478	34 024	-
40	7 252	9 795	12 441	15 322	18 569	22 316	26 696	31 843	-
45	-	8 815	11 441	14 232	17 320	20 835	24 911	29 679	-
50	-	-	10 329	13 048	15 995	19 298	23 088	27 497	-
55	-	-	-	11 740	14 559	17 665	21 186	25 250	-
60	-	-	-	-	12 968	15 885	19 144	22 872	-
65	-	-	-	-	-	13 868	16 858	20 239	-

Power input in W

30	4 939	4 988	4 999	4 994	4 995	5 025	5 106	5 259	-
35	5 402	5 485	5 517	5 522	5 520	5 534	5 586	5 699	-
40	5 907	6 030	6 089	6 108	6 107	6 110	6 139	6 216	-
45	-	6 630	6 722	6 759	6 766	6 763	6 773	6 819	-
50	-	-	7 422	7 484	7 502	7 499	7 496	7 516	-
55	-	-	-	8 289	8 324	8 325	8 314	8 313	-
60	-	-	-	-	9 239	9 250	9 235	9 219	-
65	-	-	-	-	-	10 280	10 267	10 240	-

Current consumption in A

30	10.96	11.03	11.11	11.20	11.29	11.36	11.39	11.39	-
35	11.61	11.62	11.67	11.75	11.84	11.94	12.03	12.10	-
40	12.41	12.35	12.34	12.39	12.47	12.58	12.71	12.84	-
45	-	13.27	13.19	13.19	13.24	13.35	13.49	13.66	-
50	-	-	14.27	14.20	14.21	14.28	14.42	14.61	-
55	-	-	-	15.46	15.41	15.44	15.56	15.75	-
60	-	-	-	-	16.90	16.88	16.96	17.13	-
65	-	-	-	-	-	18.64	18.66	18.80	-

Mass flow in kg/h

30	188	236	288	347	415	495	588	699	-
35	181	231	285	344	411	489	580	686	-
40	171	225	280	341	408	484	572	675	-
45	-	216	274	335	403	479	565	666	-
50	-	-	265	328	397	473	558	656	-
55	-	-	-	318	389	465	550	647	-
60	-	-	-	-	378	455	541	636	-
65	-	-	-	-	-	443	529	624	-

Coefficient of performance (C.O.P.)

30	1.82	2.30	2.84	3.47	4.20	5.02	5.93	6.89	-
35	1.51	1.95	2.42	2.96	3.58	4.30	5.10	5.97	-
40	1.23	1.62	2.04	2.51	3.04	3.65	4.35	5.12	-
45	-	1.33	1.70	2.11	2.56	3.08	3.68	4.35	-
50	-	-	1.39	1.74	2.13	2.57	3.08	3.66	-
55	-	-	-	1.42	1.75	2.12	2.55	3.04	-
60	-	-	-	-	1.40	1.72	2.07	2.48	-
65	-	-	-	-	-	1.35	1.64	1.98	-

Nominal performance at to = 5 °C, tc = 50 °C

Cooling capacity	23 088	W
Power input	7 496	W
Current consumption	14.42	A
Mass flow	558	kg/h
C.O.P.	3.08	

Pressure switch settings

Maximum HP switch setting	45	bar(g)
Minimum LP switch setting	1.5	bar(g)
LP pump down setting	2.3	bar(g)

Sound power data

Sound power level	73	dB(A)
With acoustic hood	68	dB(A)

to: Evaporating temperature at dew point

tc: Condensing temperature at dew point

Rating conditions : Superheat = 10 K , Subcooling = 0 K

All performance data +/- 5%

Danfoss can accept no responsibility for possible errors in catalogues, brochures and other printed material. Danfoss reserves the right to alter its products without notice. This also applies to products already on order provided that such alternations can be made without subsequential changes being necessary in specifications already agreed. All trademarks in this material are property of the respective companies. Danfoss and the Danfoss logotype are trademarks of Danfoss A/S. All rights reserved.

Performance data at 50 Hz, ARI rating conditions

R410A

Cond. temp. in °C (tc)	Evaporating temperature in °C (to)							
	-25	-20	-15	-10	-5	0	5	10

Cooling capacity in W

30	9 682	12 372	15 317	18 660	22 547	27 120	32 525	38 904	-
35	8 867	11 586	14 484	17 707	21 398	25 701	30 761	36 721	-
40	7 944	10 715	13 593	16 719	20 240	24 298	29 038	34 604	-
45	-	9 734	12 615	15 671	19 046	22 884	27 329	32 525	-
50	-	-	11 524	14 533	17 788	21 431	25 606	30 458	-
55	-	-	-	13 280	16 439	19 911	23 842	28 374	-
60	-	-	-	-	14 971	18 298	22 009	26 247	-
65	-	-	-	-	-	16 564	20 080	24 048	-

Power input in W

30	4 939	4 988	4 999	4 994	4 995	5 025	5 106	5 259	-
35	5 402	5 485	5 517	5 522	5 520	5 534	5 586	5 699	-
40	5 907	6 030	6 089	6 108	6 107	6 110	6 139	6 216	-
45	-	6 630	6 722	6 759	6 766	6 763	6 773	6 819	-
50	-	-	7 422	7 484	7 502	7 499	7 496	7 516	-
55	-	-	-	8 289	8 324	8 325	8 314	8 313	-
60	-	-	-	-	9 239	9 250	9 235	9 219	-
65	-	-	-	-	-	10 280	10 267	10 240	-

Current consumption in A

30	10.96	11.03	11.11	11.20	11.29	11.36	11.39	11.39	-
35	11.61	11.62	11.67	11.75	11.84	11.94	12.03	12.10	-
40	12.41	12.35	12.34	12.39	12.47	12.58	12.71	12.84	-
45	-	13.27	13.19	13.19	13.24	13.35	13.49	13.66	-
50	-	-	14.27	14.20	14.21	14.28	14.42	14.61	-
55	-	-	-	15.46	15.41	15.44	15.56	15.75	-
60	-	-	-	-	16.90	16.88	16.96	17.13	-
65	-	-	-	-	-	18.64	18.66	18.80	-

Mass flow in kg/h

30	186	235	287	345	412	491	584	694	-
35	180	230	283	342	409	486	576	681	-
40	170	223	279	338	405	481	568	670	-
45	-	214	272	333	400	476	562	661	-
50	-	-	263	326	394	470	554	652	-
55	-	-	-	317	386	462	547	642	-
60	-	-	-	-	375	452	537	632	-
65	-	-	-	-	-	440	525	620	-

Coefficient of performance (C.O.P.)

30	1.96	2.48	3.06	3.74	4.51	5.40	6.37	7.40	-
35	1.64	2.11	2.63	3.21	3.88	4.64	5.51	6.44	-
40	1.34	1.78	2.23	2.74	3.31	3.98	4.73	5.57	-
45	-	1.47	1.88	2.32	2.82	3.38	4.03	4.77	-
50	-	-	1.55	1.94	2.37	2.86	3.42	4.05	-
55	-	-	-	1.60	1.97	2.39	2.87	3.41	-
60	-	-	-	-	1.62	1.98	2.38	2.85	-
65	-	-	-	-	-	1.61	1.96	2.35	-

Nominal performance at to = 7.2 °C, tc = 54.4 °C

Cooling capacity	25 983	W
Power input	8 208	W
Current consumption	15.49	A
Mass flow	588	kg/h
C.O.P.	3.17	

Pressure switch settings

Maximum HP switch setting	45	bar(g)
Minimum LP switch setting	1.5	bar(g)
LP pump down setting	2.3	bar(g)

Sound power data

Sound power level	73	dB(A)
With acoustic hood	68	dB(A)

to: Evaporating temperature at dew point

tc: Condensing temperature at dew point

Rating conditions : Superheat = 11.1 K , Subcooling = 8.3 K

All performance data +/- 5%

Danfoss can accept no responsibility for possible errors in catalogues, brochures and other printed material. Danfoss reserves the right to alter its products without notice. This also applies to products already on order provided that such alternations can be made without subsequential changes being necessary in specifications already agreed. All trademarks in this material are property of the respective companies. Danfoss and the Danfoss logotype are trademarks of Danfoss A/S. All rights reserved.

Performance data at 60 Hz, EN 12900 rating conditions

R410A

Cond. temp. in °C (tc)	Evaporating temperature in °C (to)							
	-25	-20	-15	-10	-5	0	5	10

Cooling capacity in W

30	10 623	13 732	17 163	21 018	25 398	30 407	36 146	42 718	-
35	9 731	12 719	15 998	19 670	23 835	28 597	34 057	40 316	-
40	8 832	11 701	14 832	18 324	22 279	26 796	31 979	37 928	-
45	-	10 640	13 624	16 939	20 684	24 960	29 867	35 506	-
50	-	-	12 333	15 470	19 007	23 040	27 671	32 998	-
55	-	-	-	13 873	17 197	20 985	25 334	30 343	-
60	-	-	-	-	15 195	18 725	22 779	27 454	-
65	-	-	-	-	-	16 153	19 878	24 178	-

Power input in W

30	5 423	5 514	5 598	5 691	5 808	5 964	6 177	6 460	-
35	6 030	6 126	6 207	6 288	6 385	6 514	6 690	6 929	-
40	6 701	6 809	6 893	6 970	7 054	7 162	7 309	7 511	-
45	-	7 563	7 658	7 737	7 816	7 910	8 034	8 206	-
50	-	-	8 502	8 590	8 670	8 757	8 866	9 014	-
55	-	-	-	9 530	9 618	9 705	9 806	9 937	-
60	-	-	-	-	10 660	10 754	10 854	10 976	-
65	-	-	-	-	-	11 905	12 011	12 130	-

Current consumption in A

30	10.48	10.55	10.63	10.71	10.81	10.93	11.09	11.29	-
35	11.02	11.12	11.21	11.30	11.39	11.49	11.62	11.78	-
40	11.61	11.75	11.87	11.97	12.07	12.16	12.27	12.40	-
45	-	12.45	12.61	12.74	12.85	12.95	13.06	13.17	-
50	-	-	13.44	13.61	13.76	13.88	13.99	14.10	-
55	-	-	-	14.61	14.79	14.95	15.08	15.19	-
60	-	-	-	-	15.97	16.17	16.33	16.47	-
65	-	-	-	-	-	17.55	17.77	17.94	-

Mass flow in kg/h

30	236	302	372	449	535	632	743	870	-
35	226	291	361	437	523	619	729	854	-
40	215	280	350	425	510	606	715	838	-
45	-	268	337	412	496	591	699	822	-
50	-	-	322	397	480	574	681	802	-
55	-	-	-	378	461	554	660	780	-
60	-	-	-	-	437	529	634	753	-
65	-	-	-	-	-	499	603	721	-

Coefficient of performance (C.O.P.)

30	1.96	2.49	3.07	3.69	4.37	5.10	5.85	6.61	-
35	1.61	2.08	2.58	3.13	3.73	4.39	5.09	5.82	-
40	1.32	1.72	2.15	2.63	3.16	3.74	4.38	5.05	-
45	-	1.41	1.78	2.19	2.65	3.16	3.72	4.33	-
50	-	-	1.45	1.80	2.19	2.63	3.12	3.66	-
55	-	-	-	1.46	1.79	2.16	2.58	3.05	-
60	-	-	-	-	1.43	1.74	2.10	2.50	-
65	-	-	-	-	-	1.36	1.66	1.99	-

Nominal performance at to = 5 °C, tc = 50 °C

Cooling capacity	27 671	W
Power input	8 866	W
Current consumption	13.99	A
Mass flow	681	kg/h
C.O.P.	3.12	

Pressure switch settings

Maximum HP switch setting	45	bar(g)
Minimum LP switch setting	1.5	bar(g)
LP pump down setting	2.3	bar(g)

Sound power data

Sound power level	76	dB(A)
With acoustic hood	71	dB(A)

to: Evaporating temperature at dew point

tc: Condensing temperature at dew point

Rating conditions : Superheat = 10 K, Subcooling = 0 K

All performance data +/- 5%

Danfoss can accept no responsibility for possible errors in catalogues, brochures and other printed material. Danfoss reserves the right to alter its products without notice. This also applies to products already on order provided that such alternations can be made without subsequential changes being necessary in specifications already agreed. All trademarks in this material are property of the respective companies. Danfoss and the Danfoss logotype are trademarks of Danfoss A/S. All rights reserved.

Performance data at 60 Hz, ARI rating conditions

R410A

Cond. temp. in °C (tc)	Evaporating temperature in °C (to)							
	-25	-20	-15	-10	-5	0	5	10

Cooling capacity in W

30	11 472	14 814	18 497	22 629	27 321	32 680	38 817	45 840	-
35	10 577	13 808	17 348	21 307	25 794	30 918	36 787	43 512	-
40	9 676	12 801	16 205	19 996	24 283	29 177	34 785	41 216	-
45	-	11 750	15 022	18 651	22 745	27 414	32 766	38 911	-
50	-	-	13 759	17 231	21 137	25 587	30 689	36 552	-
55	-	-	-	15 693	19 417	23 653	28 510	34 097	-
60	-	-	-	-	17 541	21 569	26 187	31 504	-
65	-	-	-	-	-	19 293	23 677	28 729	-

Power input in W

30	5 423	5 514	5 598	5 691	5 808	5 964	6 177	6 460	-
35	6 030	6 126	6 207	6 288	6 385	6 514	6 690	6 929	-
40	6 701	6 809	6 893	6 970	7 054	7 162	7 309	7 511	-
45	-	7 563	7 658	7 737	7 816	7 910	8 034	8 206	-
50	-	-	8 502	8 590	8 670	8 757	8 866	9 014	-
55	-	-	-	9 530	9 618	9 705	9 806	9 937	-
60	-	-	-	-	10 660	10 754	10 854	10 976	-
65	-	-	-	-	-	11 905	12 011	12 130	-

Current consumption in A

30	10.48	10.55	10.63	10.71	10.81	10.93	11.09	11.29	-
35	11.02	11.12	11.21	11.30	11.39	11.49	11.62	11.78	-
40	11.61	11.75	11.87	11.97	12.07	12.16	12.27	12.40	-
45	-	12.45	12.61	12.74	12.85	12.95	13.06	13.17	-
50	-	-	13.44	13.61	13.76	13.88	13.99	14.10	-
55	-	-	-	14.61	14.79	14.95	15.08	15.19	-
60	-	-	-	-	15.97	16.17	16.33	16.47	-
65	-	-	-	-	-	17.55	17.77	17.94	-

Mass flow in kg/h

30	235	300	370	446	532	628	738	864	-
35	225	289	359	435	519	615	724	848	-
40	214	279	347	423	507	602	710	832	-
45	-	266	335	410	493	587	694	816	-
50	-	-	320	395	477	571	676	797	-
55	-	-	-	376	458	550	655	774	-
60	-	-	-	-	434	526	630	748	-
65	-	-	-	-	-	496	599	716	-

Coefficient of performance (C.O.P.)

30	2.12	2.69	3.30	3.98	4.70	5.48	6.28	7.10	-
35	1.75	2.25	2.79	3.39	4.04	4.75	5.50	6.28	-
40	1.44	1.88	2.35	2.87	3.44	4.07	4.76	5.49	-
45	-	1.55	1.96	2.41	2.91	3.47	4.08	4.74	-
50	-	-	1.62	2.01	2.44	2.92	3.46	4.05	-
55	-	-	-	1.65	2.02	2.44	2.91	3.43	-
60	-	-	-	-	1.65	2.01	2.41	2.87	-
65	-	-	-	-	-	1.62	1.97	2.37	-

Nominal performance at to = 7.2 °C, tc = 54.4 °C

Cooling capacity	31 154	W
Power input	9 741	W
Current consumption	14.99	A
Mass flow	709	kg/h
C.O.P.	3.20	

Pressure switch settings

Maximum HP switch setting	45	bar(g)
Minimum LP switch setting	1.5	bar(g)
LP pump down setting	2.3	bar(g)

Sound power data

Sound power level	76	dB(A)
With acoustic hood	71	dB(A)

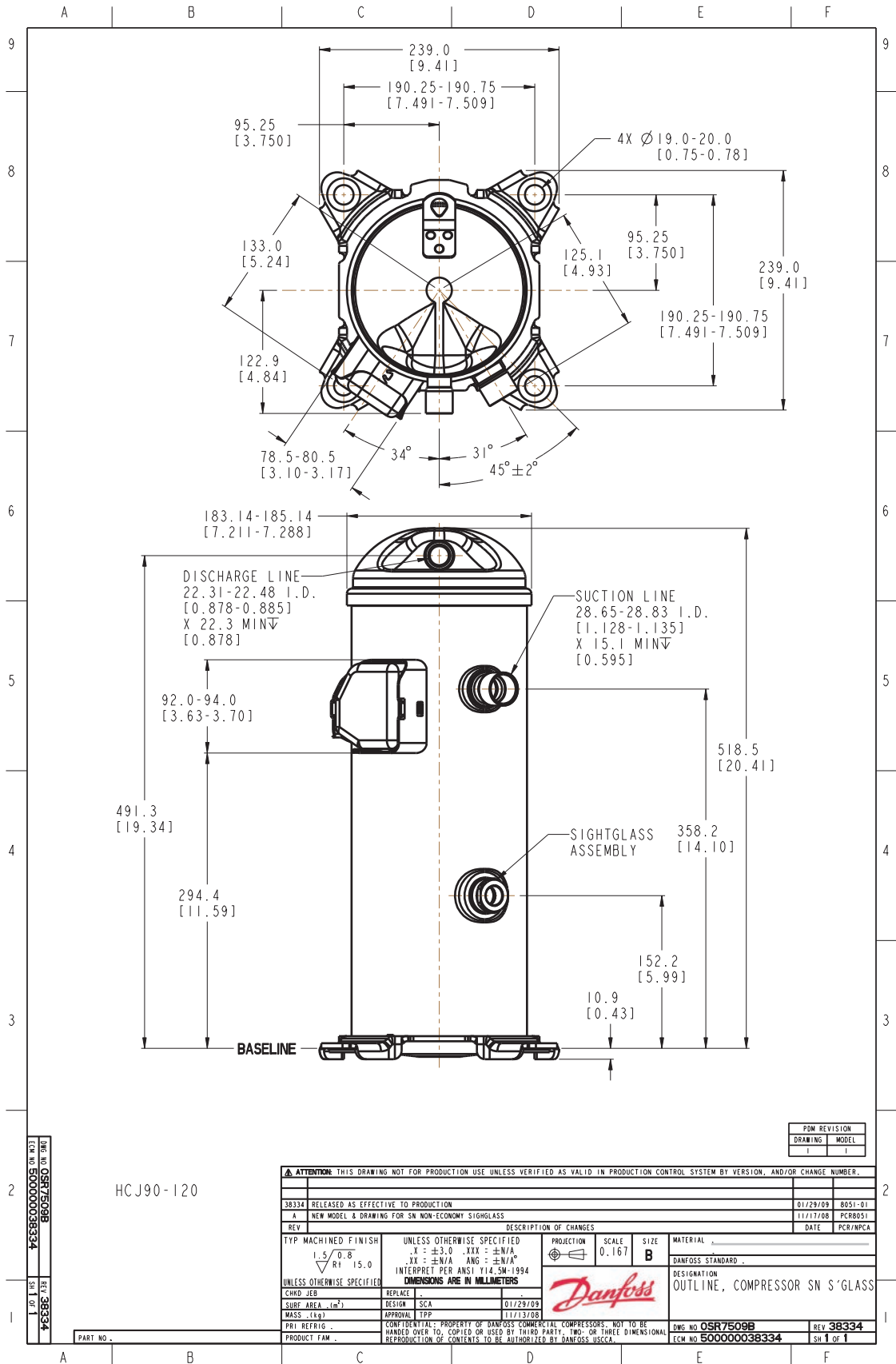
to: Evaporating temperature at dew point

tc: Condensing temperature at dew point

Rating conditions : Superheat = 11.1 K , Subcooling = 8.3 K

All performance data +/- 5%

Danfoss can accept no responsibility for possible errors in catalogues, brochures and other printed material. Danfoss reserves the right to alter its products without notice. This also applies to products already on order provided that such alternations can be made without subsequential changes being necessary in specifications already agreed. All trademarks in this material are property of the respective companies. Danfoss and the Danfoss logotype are trademarks of Danfoss A/S. All rights reserved.

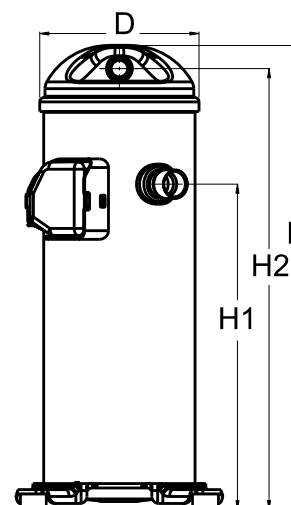


Danfoss can accept no responsibility for possible errors in catalogues, brochures and other printed material. Danfoss reserves the right to alter its products without notice. This also applies to products already on order provided that such alterations can be made without consequential changes being necessary in specifications already agreed. All trademarks in this material are property of the respective companies. Danfoss, the Danfoss logotype and Maneurop are trademarks of Danfoss A/S. All rights reserved.

General Characteristics

Model number (on compressor nameplate)		HCJ105T4LC8
Code number for Singlepack*		120U2578
Code number for Industrial pack**		120U2575
Drawing number		0SR7508B
Suction and discharge connections		Brazed
Suction connection		1-1/8" ODF
Discharge connection		7/8" ODF
Oil sight glass		None
Oil equalisation connection		1/2"
Oil drain connection		None
LP gauge port		None
IPR valve		None
Swept volume		101,6 cm ³ /rev
Displacement @ Nominal speed		17.7 m ³ /h @ 2900 rpm - 21.3 m ³ /h @ 3500 rpm
Net weight		45,2 kg
Oil charge		2,66 litre, PVE --
Maximum system test pressure Low Side / High side		- bar(g) / - bar(g)
Maximum differential test pressure		- bar
Maximum number of starts per hour		-
Refrigerant charge limit		7,26 kg
Approved refrigerants		R410A

Dimensions



D=184 mm

H=537 mm

H1=377 mm

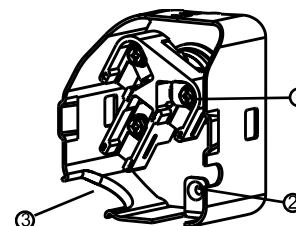
H2=510 mm

H3=- mm

Electrical Characteristics

Nominal voltage	380-415V/3/50Hz - 460V/3/60Hz
Voltage range	342-457 V @ 50Hz - 414-506 V @ 60Hz
Winding resistance between phases 1-2 +/- 7% at 25°C	1.29 Ω
Winding resistance between phases 1-3 +/- 7% at 25°C	1.28 Ω
Winding resistance between phases 2-3 +/- 7% at 25°C	1.33 Ω
Rated Load Amps (RLA)	16.0 A
Maximum Continuous Current (MCC)	25.0 A
Locked Rotor Amps (LRA)	110.0 A
Motor protection	Internal overload protector

Terminal box



IP22

1: Screw connectors 10-32 UNF x 9.5

2: Earth connection

3: Power cable passage

Recommended Installation torques

Oil sight glass	52,5 Nm
Power connections / Earth connection	3 Nm / 2 Nm

Parts shipped with compressor

Mounting kit with grommets and sleeves
Initial oil charge
Installation instructions

Approvals : CE certified, UL certified (file SA11565), -

*Singlepack: Compressor in cardboard box

**Industrial pack: 12 or 16 Unboxed compressors on pallet

Rotolock accessories, suction side

Code no.

Solder sleeve, P02 (1-3/4" Rotolock, 1-1/8" ODF)	8153004
Angle adapter, C02 (1-3/4" Rotolock, 1-1/8" ODF)	8168005
Rotolock valve, V02 (1-3/4" Rotolock, 1-1/8" ODF)	8168028
Gasket, 1-3/4"	8156132

Rotolock accessories, discharge side

Code no.

Rotolock valve, V05 (1-1/4" Rotolock, 7/8" ODF)	8168030
Gasket, 1-3/4"	8156132

Rotolock accessories, sets

Code no.

Solder sleeve adapter set (1-3/4" Rotolock, 1-1/8" ODF), (1-1/4" Rotolock, 7/8" ODF)	120Z0125
Valve set, V02(1"3/4~1"1/8), V05(1"1/4~7/8")	120Z0403
Gasket set, 1", 1-1/4", 1-3/4", OSG gaskets black & white	8156009

Oil / lubricants

Code no.

PVE lubricant, 320HV (FVC68D), 1 litre can	120Z5034
--	----------

Crankcase heaters

Code no.

Belt type crankcase heater, 65 W, 230 V, CE mark, UL	120Z0059
Belt type crankcase heater, 65 W, 400 V, CE mark, UL	120Z0060
Belt type crankcase heater, 70 W, 240 V, CE mark, UL	120Z5040
Belt type crankcase heater, 70 W, 240 V, CE mark, UL	120Z5040

Miscellaneous accessories

Code no.

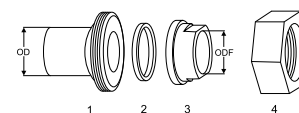
Acoustic hood	120Z5045
Discharge thermostat kit	7750009

Spare parts

Code no.

Mounting kit for 1 scroll compressor including 4 grommets, 4 sleeves, 4 bolts, 4 washers	120Z5005
Mounting kit, including 1 bolt, 1 sleeve, 1 washer	120Z5031

Solder sleeve adapter set



- 1: Rotolock adapter (Suc & Dis)
- 2: Gasket (Suc & Dis)
- 3: Solder sleeve (Suc & Dis)
- 4: Rotolock nut (Suc & Dis)

Performance data at 50 Hz, EN 12900 rating conditions

R410A

Cond. temp. in °C (tc)	Evaporating temperature in °C (to)							
	-25	-20	-15	-10	-5	0	5	10

Cooling capacity in W

30	8 965	11 468	14 212	17 331	20 960	25 233	30 286	36 255	-
35	8 158	10 671	13 356	16 346	19 773	23 772	28 478	34 024	-
40	7 252	9 795	12 441	15 322	18 569	22 316	26 696	31 843	-
45	-	8 815	11 441	14 232	17 320	20 835	24 911	29 679	-
50	-	-	10 329	13 048	15 995	19 298	23 088	27 497	-
55	-	-	-	11 740	14 559	17 665	21 186	25 250	-
60	-	-	-	-	12 968	15 885	19 144	22 872	-
65	-	-	-	-	-	13 868	16 858	20 239	-

Power input in W

30	4 939	4 988	4 999	4 994	4 995	5 025	5 106	5 259	-
35	5 402	5 485	5 517	5 522	5 520	5 534	5 586	5 699	-
40	5 907	6 030	6 089	6 108	6 107	6 110	6 139	6 216	-
45	-	6 630	6 722	6 759	6 766	6 763	6 773	6 819	-
50	-	-	7 422	7 484	7 502	7 499	7 496	7 516	-
55	-	-	-	8 289	8 324	8 325	8 314	8 313	-
60	-	-	-	-	9 239	9 250	9 235	9 219	-
65	-	-	-	-	-	10 280	10 267	10 240	-

Current consumption in A

30	10.96	11.03	11.11	11.20	11.29	11.36	11.39	11.39	-
35	11.61	11.62	11.67	11.75	11.84	11.94	12.03	12.10	-
40	12.41	12.35	12.34	12.39	12.47	12.58	12.71	12.84	-
45	-	13.27	13.19	13.19	13.24	13.35	13.49	13.66	-
50	-	-	14.27	14.20	14.21	14.28	14.42	14.61	-
55	-	-	-	15.46	15.41	15.44	15.56	15.75	-
60	-	-	-	-	16.90	16.88	16.96	17.13	-
65	-	-	-	-	-	18.64	18.66	18.80	-

Mass flow in kg/h

30	188	236	288	347	415	495	588	699	-
35	181	231	285	344	411	489	580	686	-
40	171	225	280	341	408	484	572	675	-
45	-	216	274	335	403	479	565	666	-
50	-	-	265	328	397	473	558	656	-
55	-	-	-	318	389	465	550	647	-
60	-	-	-	-	378	455	541	636	-
65	-	-	-	-	-	443	529	624	-

Coefficient of performance (C.O.P.)

30	1.82	2.30	2.84	3.47	4.20	5.02	5.93	6.89	-
35	1.51	1.95	2.42	2.96	3.58	4.30	5.10	5.97	-
40	1.23	1.62	2.04	2.51	3.04	3.65	4.35	5.12	-
45	-	1.33	1.70	2.11	2.56	3.08	3.68	4.35	-
50	-	-	1.39	1.74	2.13	2.57	3.08	3.66	-
55	-	-	-	1.42	1.75	2.12	2.55	3.04	-
60	-	-	-	-	1.40	1.72	2.07	2.48	-
65	-	-	-	-	-	1.35	1.64	1.98	-

Nominal performance at to = 5 °C, tc = 50 °C

Cooling capacity	23 088	W
Power input	7 496	W
Current consumption	14.42	A
Mass flow	558	kg/h
C.O.P.	3.08	

Pressure switch settings

Maximum HP switch setting	45	bar(g)
Minimum LP switch setting	1.5	bar(g)
LP pump down setting	2.3	bar(g)

Sound power data

Sound power level	73	dB(A)
With acoustic hood	68	dB(A)

to: Evaporating temperature at dew point

tc: Condensing temperature at dew point

Rating conditions : Superheat = 10 K , Subcooling = 0 K

All performance data +/- 5%

Danfoss can accept no responsibility for possible errors in catalogues, brochures and other printed material. Danfoss reserves the right to alter its products without notice. This also applies to products already on order provided that such alternations can be made without subsequential changes being necessary in specifications already agreed. All trademarks in this material are property of the respective companies. Danfoss and the Danfoss logotype are trademarks of Danfoss A/S. All rights reserved.

Performance data at 50 Hz, ARI rating conditions

R410A

Cond. temp. in °C (tc)	Evaporating temperature in °C (to)							
	-25	-20	-15	-10	-5	0	5	10

Cooling capacity in W

30	9 682	12 372	15 317	18 660	22 547	27 120	32 525	38 904	-
35	8 867	11 586	14 484	17 707	21 398	25 701	30 761	36 721	-
40	7 944	10 715	13 593	16 719	20 240	24 298	29 038	34 604	-
45	-	9 734	12 615	15 671	19 046	22 884	27 329	32 525	-
50	-	-	11 524	14 533	17 788	21 431	25 606	30 458	-
55	-	-	-	13 280	16 439	19 911	23 842	28 374	-
60	-	-	-	-	14 971	18 298	22 009	26 247	-
65	-	-	-	-	-	16 564	20 080	24 048	-

Power input in W

30	4 939	4 988	4 999	4 994	4 995	5 025	5 106	5 259	-
35	5 402	5 485	5 517	5 522	5 520	5 534	5 586	5 699	-
40	5 907	6 030	6 089	6 108	6 107	6 110	6 139	6 216	-
45	-	6 630	6 722	6 759	6 766	6 763	6 773	6 819	-
50	-	-	7 422	7 484	7 502	7 499	7 496	7 516	-
55	-	-	-	8 289	8 324	8 325	8 314	8 313	-
60	-	-	-	-	9 239	9 250	9 235	9 219	-
65	-	-	-	-	-	10 280	10 267	10 240	-

Current consumption in A

30	10.96	11.03	11.11	11.20	11.29	11.36	11.39	11.39	-
35	11.61	11.62	11.67	11.75	11.84	11.94	12.03	12.10	-
40	12.41	12.35	12.34	12.39	12.47	12.58	12.71	12.84	-
45	-	13.27	13.19	13.19	13.24	13.35	13.49	13.66	-
50	-	-	14.27	14.20	14.21	14.28	14.42	14.61	-
55	-	-	-	15.46	15.41	15.44	15.56	15.75	-
60	-	-	-	-	16.90	16.88	16.96	17.13	-
65	-	-	-	-	-	18.64	18.66	18.80	-

Mass flow in kg/h

30	186	235	287	345	412	491	584	694	-
35	180	230	283	342	409	486	576	681	-
40	170	223	279	338	405	481	568	670	-
45	-	214	272	333	400	476	562	661	-
50	-	-	263	326	394	470	554	652	-
55	-	-	-	317	386	462	547	642	-
60	-	-	-	-	375	452	537	632	-
65	-	-	-	-	-	440	525	620	-

Coefficient of performance (C.O.P.)

30	1.96	2.48	3.06	3.74	4.51	5.40	6.37	7.40	-
35	1.64	2.11	2.63	3.21	3.88	4.64	5.51	6.44	-
40	1.34	1.78	2.23	2.74	3.31	3.98	4.73	5.57	-
45	-	1.47	1.88	2.32	2.82	3.38	4.03	4.77	-
50	-	-	1.55	1.94	2.37	2.86	3.42	4.05	-
55	-	-	-	1.60	1.97	2.39	2.87	3.41	-
60	-	-	-	-	1.62	1.98	2.38	2.85	-
65	-	-	-	-	-	1.61	1.96	2.35	-

Nominal performance at to = 7.2 °C, tc = 54.4 °C

Cooling capacity	25 983	W
Power input	8 208	W
Current consumption	15.49	A
Mass flow	588	kg/h
C.O.P.	3.17	

Pressure switch settings

Maximum HP switch setting	45	bar(g)
Minimum LP switch setting	1.5	bar(g)
LP pump down setting	2.3	bar(g)

Sound power data

Sound power level	73	dB(A)
With acoustic hood	68	dB(A)

to: Evaporating temperature at dew point

tc: Condensing temperature at dew point

Rating conditions : Superheat = 11.1 K , Subcooling = 8.3 K

All performance data +/- 5%

Danfoss can accept no responsibility for possible errors in catalogues, brochures and other printed material. Danfoss reserves the right to alter its products without notice. This also applies to products already on order provided that such alternations can be made without subsequential changes being necessary in specifications already agreed. All trademarks in this material are property of the respective companies. Danfoss and the Danfoss logotype are trademarks of Danfoss A/S. All rights reserved.

Performance data at 60 Hz, EN 12900 rating conditions
R410A

Cond. temp. in °C (tc)	Evaporating temperature in °C (to)							
	-25	-20	-15	-10	-5	0	5	10

Cooling capacity in W

30	10 623	13 732	17 163	21 018	25 398	30 407	36 146	42 718	-
35	9 731	12 719	15 998	19 670	23 835	28 597	34 057	40 316	-
40	8 832	11 701	14 832	18 324	22 279	26 796	31 979	37 928	-
45	-	10 640	13 624	16 939	20 684	24 960	29 867	35 506	-
50	-	-	12 333	15 470	19 007	23 040	27 671	32 998	-
55	-	-	-	13 873	17 197	20 985	25 334	30 343	-
60	-	-	-	-	15 195	18 725	22 779	27 454	-
65	-	-	-	-	-	16 153	19 878	24 178	-

Power input in W

30	5 423	5 514	5 598	5 691	5 808	5 964	6 177	6 460	-
35	6 030	6 126	6 207	6 288	6 385	6 514	6 690	6 929	-
40	6 701	6 809	6 893	6 970	7 054	7 162	7 309	7 511	-
45	-	7 563	7 658	7 737	7 816	7 910	8 034	8 206	-
50	-	-	8 502	8 590	8 670	8 757	8 866	9 014	-
55	-	-	-	9 530	9 618	9 705	9 806	9 937	-
60	-	-	-	-	10 660	10 754	10 854	10 976	-
65	-	-	-	-	-	11 905	12 011	12 130	-

Current consumption in A

30	10.48	10.55	10.63	10.71	10.81	10.93	11.09	11.29	-
35	11.02	11.12	11.21	11.30	11.39	11.49	11.62	11.78	-
40	11.61	11.75	11.87	11.97	12.07	12.16	12.27	12.40	-
45	-	12.45	12.61	12.74	12.85	12.95	13.06	13.17	-
50	-	-	13.44	13.61	13.76	13.88	13.99	14.10	-
55	-	-	-	14.61	14.79	14.95	15.08	15.19	-
60	-	-	-	-	15.97	16.17	16.33	16.47	-
65	-	-	-	-	-	17.55	17.77	17.94	-

Mass flow in kg/h

30	236	302	372	449	535	632	743	870	-
35	226	291	361	437	523	619	729	854	-
40	215	280	350	425	510	606	715	838	-
45	-	268	337	412	496	591	699	822	-
50	-	-	322	397	480	574	681	802	-
55	-	-	-	378	461	554	660	780	-
60	-	-	-	-	437	529	634	753	-
65	-	-	-	-	-	499	603	721	-

Coefficient of performance (C.O.P.)

30	1.96	2.49	3.07	3.69	4.37	5.10	5.85	6.61	-
35	1.61	2.08	2.58	3.13	3.73	4.39	5.09	5.82	-
40	1.32	1.72	2.15	2.63	3.16	3.74	4.38	5.05	-
45	-	1.41	1.78	2.19	2.65	3.16	3.72	4.33	-
50	-	-	1.45	1.80	2.19	2.63	3.12	3.66	-
55	-	-	-	1.46	1.79	2.16	2.58	3.05	-
60	-	-	-	-	1.43	1.74	2.10	2.50	-
65	-	-	-	-	-	1.36	1.66	1.99	-

Nominal performance at to = 5 °C, tc = 50 °C

Cooling capacity	27 671	W
Power input	8 866	W
Current consumption	13.99	A
Mass flow	681	kg/h
C.O.P.	3.12	

Pressure switch settings

Maximum HP switch setting	45	bar(g)
Minimum LP switch setting	1.5	bar(g)
LP pump down setting	2.3	bar(g)

Sound power data

Sound power level	76	dB(A)
With acoustic hood	71	dB(A)

to: Evaporating temperature at dew point

tc: Condensing temperature at dew point

Rating conditions : Superheat = 10 K , Subcooling = 0 K

All performance data +/- 5%

Danfoss can accept no responsibility for possible errors in catalogues, brochures and other printed material. Danfoss reserves the right to alter its products without notice. This also applies to products already on order provided that such alternations can be made without subsequential changes being necessary in specifications already agreed. All trademarks in this material are property of the respective companies. Danfoss and the Danfoss logotype are trademarks of Danfoss A/S. All rights reserved.

Performance data at 60 Hz, ARI rating conditions

R410A

Cond. temp. in °C (tc)	Evaporating temperature in °C (to)							
	-25	-20	-15	-10	-5	0	5	10

Cooling capacity in W

30	11 472	14 814	18 497	22 629	27 321	32 680	38 817	45 840	-
35	10 577	13 808	17 348	21 307	25 794	30 918	36 787	43 512	-
40	9 676	12 801	16 205	19 996	24 283	29 177	34 785	41 216	-
45	-	11 750	15 022	18 651	22 745	27 414	32 766	38 911	-
50	-	-	13 759	17 231	21 137	25 587	30 689	36 552	-
55	-	-	-	15 693	19 417	23 653	28 510	34 097	-
60	-	-	-	-	17 541	21 569	26 187	31 504	-
65	-	-	-	-	-	19 293	23 677	28 729	-

Power input in W

30	5 423	5 514	5 598	5 691	5 808	5 964	6 177	6 460	-
35	6 030	6 126	6 207	6 288	6 385	6 514	6 690	6 929	-
40	6 701	6 809	6 893	6 970	7 054	7 162	7 309	7 511	-
45	-	7 563	7 658	7 737	7 816	7 910	8 034	8 206	-
50	-	-	8 502	8 590	8 670	8 757	8 866	9 014	-
55	-	-	-	9 530	9 618	9 705	9 806	9 937	-
60	-	-	-	-	10 660	10 754	10 854	10 976	-
65	-	-	-	-	-	11 905	12 011	12 130	-

Current consumption in A

30	10.48	10.55	10.63	10.71	10.81	10.93	11.09	11.29	-
35	11.02	11.12	11.21	11.30	11.39	11.49	11.62	11.78	-
40	11.61	11.75	11.87	11.97	12.07	12.16	12.27	12.40	-
45	-	12.45	12.61	12.74	12.85	12.95	13.06	13.17	-
50	-	-	13.44	13.61	13.76	13.88	13.99	14.10	-
55	-	-	-	14.61	14.79	14.95	15.08	15.19	-
60	-	-	-	-	15.97	16.17	16.33	16.47	-
65	-	-	-	-	-	17.55	17.77	17.94	-

Mass flow in kg/h

30	235	300	370	446	532	628	738	864	-
35	225	289	359	435	519	615	724	848	-
40	214	279	347	423	507	602	710	832	-
45	-	266	335	410	493	587	694	816	-
50	-	-	320	395	477	571	676	797	-
55	-	-	-	376	458	550	655	774	-
60	-	-	-	-	434	526	630	748	-
65	-	-	-	-	-	496	599	716	-

Coefficient of performance (C.O.P.)

30	2.12	2.69	3.30	3.98	4.70	5.48	6.28	7.10	-
35	1.75	2.25	2.79	3.39	4.04	4.75	5.50	6.28	-
40	1.44	1.88	2.35	2.87	3.44	4.07	4.76	5.49	-
45	-	1.55	1.96	2.41	2.91	3.47	4.08	4.74	-
50	-	-	1.62	2.01	2.44	2.92	3.46	4.05	-
55	-	-	-	1.65	2.02	2.44	2.91	3.43	-
60	-	-	-	-	1.65	2.01	2.41	2.87	-
65	-	-	-	-	-	1.62	1.97	2.37	-

Nominal performance at to = 7.2 °C, tc = 54.4 °C

Cooling capacity	31 154	W
Power input	9 741	W
Current consumption	14.99	A
Mass flow	709	kg/h
C.O.P.	3.20	

Pressure switch settings

Maximum HP switch setting	45	bar(g)
Minimum LP switch setting	1.5	bar(g)
LP pump down setting	2.3	bar(g)

Sound power data

Sound power level	76	dB(A)
With acoustic hood	71	dB(A)

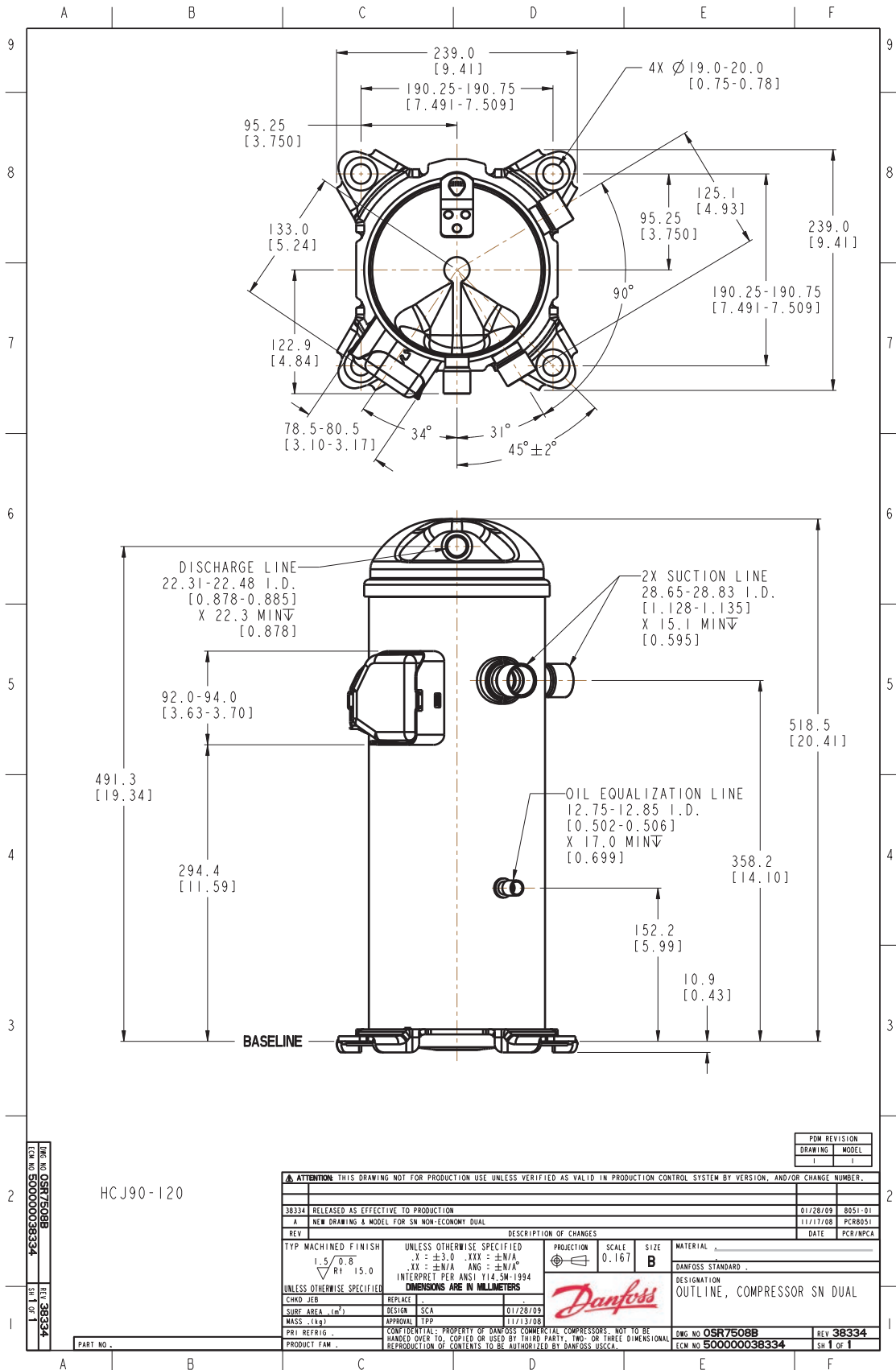
to: Evaporating temperature at dew point

tc: Condensing temperature at dew point

Rating conditions : Superheat = 11.1 K , Subcooling = 8.3 K

All performance data +/- 5%

Danfoss can accept no responsibility for possible errors in catalogues, brochures and other printed material. Danfoss reserves the right to alter its products without notice. This also applies to products already on order provided that such alterations can be made without subsequential changes being necessary in specifications already agreed. All trademarks in this material are property of the respective companies. Danfoss and the Danfoss logotype are trademarks of Danfoss A/S. All rights reserved.



Danfoss can accept no responsibility for possible errors in catalogues, brochures and other printed material. Danfoss reserves the right to alter its products without notice. This also applies to products already on order provided that such alternations can be made without consequential changes being necessary in specifications already agreed. All trademarks in this material are property of the respective companies. Danfoss, the Danfoss logotype and Maneurop are trademarks of Danfoss A/S. All rights reserved.