

Datasheets

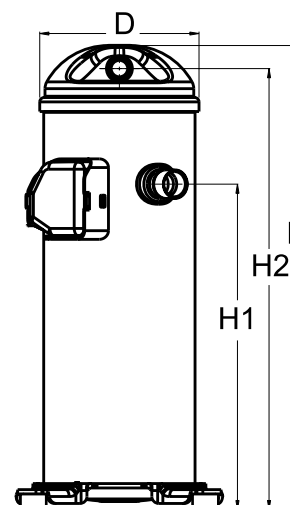
# Danfoss scroll compressors **H series**



**General Characteristics**

Model number (on compressor nameplate)		<b>HCJ120T4LC6</b>
Code number for Singlepack*		120U2342
Code number for Industrial pack**		120U2339
Drawing number		0SR7596B
Suction and discharge connections		Brazed
Suction connection		1-1/8" ODF
Discharge connection		7/8" ODF
Oil sight glass		None
Oil equalisation connection		None
Oil drain connection		None
LP gauge port		None
IPR valve		None
Swept volume		113,07 cm <sup>3</sup> /rev
Displacement @ Nominal speed		19.7 m <sup>3</sup> /h @ 2900 rpm - 23.7 m <sup>3</sup> /h @ 3500 rpm
Net weight		45,2 kg
Oil charge		2,66 litre, PVE --
Maximum system test pressure Low Side / High side		- bar(g) / - bar(g)
Maximum differential test pressure		- bar
Maximum number of starts per hour		-
Refrigerant charge limit		7,26 kg
Approved refrigerants		R410A

**Dimensions**



D=184 mm

H=537 mm

H1=377 mm

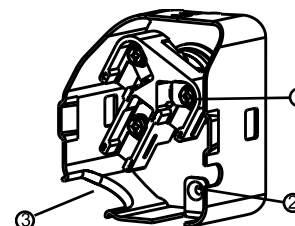
H2=510 mm

H3=- mm

**Electrical Characteristics**

Nominal voltage	380-415V/3/50Hz - 460V/3/60Hz
Voltage range	342-457 V @ 50Hz - 414-506 V @ 60Hz
Winding resistance between phases 1-2 +/- 7% at 25°C	1.13 Ω
Winding resistance between phases 1-3 +/- 7% at 25°C	1.11 Ω
Winding resistance between phases 2-3 +/- 7% at 25°C	1.10 Ω
Rated Load Amps (RLA)	19.2 A
Maximum Continuous Current (MCC)	27.0 A
Locked Rotor Amps (LRA)	140.0 A
Motor protection	Internal overload protector

**Terminal box**



IP22

1: Screw connectors 10-32 UNF x 9.5

2: Earth connection

3: Power cable passage

**Recommended Installation torques**

Oil sight glass	52,5 Nm
Power connections / Earth connection	3 Nm / 2 Nm

**Parts shipped with compressor**

Mounting kit with grommets and sleeves
Initial oil charge
Installation instructions

**Approvals** : CE certified, UL certified (file SA11565), -

\*Singlepack: Compressor in cardboard box

\*\*Industrial pack: 12 or 16 Unboxed compressors on pallet

**Rotolock accessories, suction side**
**Code no.**

Solder sleeve, P02 (1-3/4" Rotolock, 1-1/8" ODF)	8153004
Angle adapter, C02 (1-3/4" Rotolock, 1-1/8" ODF)	8168005
Rotolock valve, V02 (1-3/4" Rotolock, 1-1/8" ODF)	8168028
Gasket, 1-3/4"	8156132

**Rotolock accessories, discharge side**
**Code no.**

Rotolock valve, V05 (1-1/4" Rotolock, 7/8" ODF)	8168030
Gasket, 1-3/4"	8156132

**Rotolock accessories, sets**
**Code no.**

Solder sleeve adapter set (1-3/4" Rotolock, 1-1/8" ODF), (1-1/4" Rotolock, 7/8" ODF)	120Z0125
Valve set, V02(1"3/4~1"1/8), V05(1"1/4~7/8")	120Z0403
Gasket set, 1", 1-1/4", 1-3/4", OSG gaskets black & white	8156009

**Oil / lubricants**
**Code no.**

PVE lubricant, 320HV (FVC68D), 1 litre can	120Z5034
--	----------

**Crankcase heaters**
**Code no.**

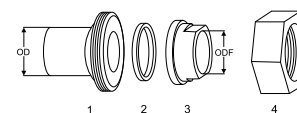
Belt type crankcase heater, 65 W, 230 V, CE mark, UL	120Z0059
Belt type crankcase heater, 65 W, 400 V, CE mark, UL	120Z0060
Belt type crankcase heater, 70 W, 240 V, CE mark, UL	120Z5040
Belt type crankcase heater, 70 W, 240 V, CE mark, UL	120Z5040

**Miscellaneous accessories**
**Code no.**

Acoustic hood	120Z5045
Discharge thermostat kit	7750009

**Spare parts**
**Code no.**

Mounting kit for 1 scroll compressor including 4 grommets, 4 sleeves, 4 bolts, 4 washers	120Z5005
Mounting kit, including 1 bolt, 1 sleeve, 1 washer	120Z5031

**Solder sleeve adapter set**


- 1: Rotolock adapter (Suc & Dis)
- 2: Gasket (Suc & Dis)
- 3: Solder sleeve (Suc & Dis)
- 4: Rotolock nut (Suc & Dis)

Performance data at 50 Hz, EN 12900 rating conditions

**R410A**

Cond. temp. in °C (tc)	Evaporating temperature in °C (to)							
	-25	-20	-15	-10	-5	0	5	10

**Cooling capacity in W**

30	10 035	12 858	16 131	19 866	24 075	28 767	33 955	39 649	-
35	9 110	11 766	14 892	18 502	22 605	27 213	32 337	37 988	-
40	8 373	10 794	13 705	17 119	21 046	25 498	30 486	36 021	-
45	-	9 996	12 624	15 773	19 454	23 679	28 459	33 804	-
50	-	-	11 700	14 517	17 882	21 809	26 307	31 388	-
55	-	-	-	13 391	16 372	19 928	24 070	28 810	-
60	-	-	-	-	14 945	18 057	21 766	26 082	-
65	-	-	-	-	-	16 157	19 345	23 143	-

**Power input in W**

30	5 242	5 402	5 511	5 576	5 603	5 596	5 562	5 507	-
35	5 911	6 011	6 093	6 165	6 231	6 297	6 369	6 452	-
40	6 774	6 767	6 775	6 806	6 864	6 956	7 087	7 263	-
45	-	7 756	7 644	7 587	7 591	7 662	7 805	8 026	-
50	-	-	8 787	8 595	8 498	8 501	8 609	8 828	-
55	-	-	-	9 918	9 672	9 559	9 586	9 756	-
60	-	-	-	-	11 201	10 926	10 823	10 898	-
65	-	-	-	-	-	12 687	12 408	12 341	-

**Current consumption in A**

30	13.21	13.29	13.39	13.50	13.60	13.68	13.73	13.73	-
35	13.99	14.00	14.06	14.15	14.27	14.39	14.50	14.58	-
40	14.96	14.88	14.88	14.93	15.03	15.17	15.32	15.47	-
45	-	15.99	15.90	15.89	15.96	16.09	16.26	16.46	-
50	-	-	17.20	17.11	17.12	17.21	17.38	17.61	-
55	-	-	-	18.64	18.57	18.61	18.75	18.98	-
60	-	-	-	-	20.37	20.34	20.43	20.64	-
65	-	-	-	-	-	22.46	22.49	22.65	-

**Mass flow in kg/h**

30	223	282	349	424	507	599	699	808	-
35	211	269	336	411	496	590	693	806	-
40	203	258	323	398	482	577	681	796	-
45	-	251	313	385	468	561	666	781	-
50	-	-	305	373	453	544	647	762	-
55	-	-	-	364	439	527	627	740	-
60	-	-	-	-	429	511	606	715	-
65	-	-	-	-	-	497	587	691	-

**Coefficient of performance (C.O.P.)**

30	1.91	2.38	2.93	3.56	4.30	5.14	6.10	7.20	-
35	1.54	1.96	2.44	3.00	3.63	4.32	5.08	5.89	-
40	1.24	1.60	2.02	2.52	3.07	3.67	4.30	4.96	-
45	-	1.29	1.65	2.08	2.56	3.09	3.65	4.21	-
50	-	-	1.33	1.69	2.10	2.57	3.06	3.56	-
55	-	-	-	1.35	1.69	2.08	2.51	2.95	-
60	-	-	-	-	1.33	1.65	2.01	2.39	-
65	-	-	-	-	-	1.27	1.56	1.88	-

**Nominal performance at to = 5 °C, tc = 50 °C**

Cooling capacity	26 307	W
Power input	8 609	W
Current consumption	17.38	A
Mass flow	647	kg/h
C.O.P.	3.06	

**Pressure switch settings**

Maximum HP switch setting	45	bar(g)
Minimum LP switch setting	1.5	bar(g)
LP pump down setting	2.3	bar(g)

**Sound power data**

Sound power level	73	dB(A)
With acoustic hood	68	dB(A)

to: Evaporating temperature at dew point

tc: Condensing temperature at dew point

Rating conditions : Superheat = 10 K , Subcooling = 0 K

All performance data +/- 5%

Danfoss can accept no responsibility for possible errors in catalogues, brochures and other printed material. Danfoss reserves the right to alter its products without notice. This also applies to products already on order provided that such alternations can be made without subsequential changes being necessary in specifications already agreed. All trademarks in this material are property of the respective companies. Danfoss and the Danfoss logotype are trademarks of Danfoss A/S. All rights reserved.

Performance data at 50 Hz, ARI rating conditions

R410A

Cond. temp. in °C (tc)	Evaporating temperature in °C (to)							
	-25	-20	-15	-10	-5	0	5	10

Cooling capacity in W

30	10 837	13 871	17 385	21 390	25 897	30 918	36 464	42 546	-
35	9 902	12 773	16 150	20 042	24 462	29 421	34 929	40 999	-
40	9 172	11 808	14 973	18 680	22 940	27 763	33 160	39 144	-
45	-	11 038	13 920	17 368	21 393	26 007	31 221	37 045	-
50	-	-	13 053	16 169	19 887	24 219	29 175	34 768	-
55	-	-	-	15 148	18 486	22 462	27 088	32 375	-
60	-	-	-	-	17 253	20 800	25 023	29 931	-
65	-	-	-	-	-	19 298	23 043	27 499	-

Power input in W

30	5 242	5 402	5 511	5 576	5 603	5 596	5 562	5 507	-
35	5 911	6 011	6 093	6 165	6 231	6 297	6 369	6 452	-
40	6 774	6 767	6 775	6 806	6 864	6 956	7 087	7 263	-
45	-	7 756	7 644	7 587	7 591	7 662	7 805	8 026	-
50	-	-	8 787	8 595	8 498	8 501	8 609	8 828	-
55	-	-	-	9 918	9 672	9 559	9 586	9 756	-
60	-	-	-	-	11 201	10 926	10 823	10 898	-
65	-	-	-	-	-	12 687	12 408	12 341	-

Current consumption in A

30	13.21	13.29	13.39	13.50	13.60	13.68	13.73	13.73	-
35	13.99	14.00	14.06	14.15	14.27	14.39	14.50	14.58	-
40	14.96	14.88	14.88	14.93	15.03	15.17	15.32	15.47	-
45	-	15.99	15.90	15.89	15.96	16.09	16.26	16.46	-
50	-	-	17.20	17.11	17.12	17.21	17.38	17.61	-
55	-	-	-	18.64	18.57	18.61	18.75	18.98	-
60	-	-	-	-	20.37	20.34	20.43	20.64	-
65	-	-	-	-	-	22.46	22.49	22.65	-

Mass flow in kg/h

30	222	280	347	421	504	595	694	803	-
35	210	268	334	409	493	586	688	800	-
40	202	257	321	395	479	573	677	790	-
45	-	249	311	382	465	557	661	776	-
50	-	-	303	371	450	541	643	756	-
55	-	-	-	362	437	523	623	734	-
60	-	-	-	-	426	508	602	710	-
65	-	-	-	-	-	494	583	686	-

Coefficient of performance (C.O.P.)

30	2.07	2.57	3.15	3.84	4.62	5.52	6.56	7.73	-
35	1.68	2.13	2.65	3.25	3.93	4.67	5.48	6.35	-
40	1.35	1.75	2.21	2.74	3.34	3.99	4.68	5.39	-
45	-	1.42	1.82	2.29	2.82	3.39	4.00	4.62	-
50	-	-	1.49	1.88	2.34	2.85	3.39	3.94	-
55	-	-	-	1.53	1.91	2.35	2.83	3.32	-
60	-	-	-	-	1.54	1.90	2.31	2.75	-
65	-	-	-	-	-	1.52	1.86	2.23	-

Nominal performance at to = 7.2 °C, tc = 54.4 °C

Cooling capacity	29 601	W
Power input	9 517	W
Current consumption	18.66	A
Mass flow	673	kg/h
C.O.P.	3.11	

Pressure switch settings

Maximum HP switch setting	45	bar(g)
Minimum LP switch setting	1.5	bar(g)
LP pump down setting	2.3	bar(g)

Sound power data

Sound power level	73	dB(A)
With acoustic hood	68	dB(A)

to: Evaporating temperature at dew point

tc: Condensing temperature at dew point

Rating conditions : Superheat = 11.1 K , Subcooling = 8.3 K

All performance data +/- 5%

Danfoss can accept no responsibility for possible errors in catalogues, brochures and other printed material. Danfoss reserves the right to alter its products without notice. This also applies to products already on order provided that such alternations can be made without subsequential changes being necessary in specifications already agreed. All trademarks in this material are property of the respective companies. Danfoss and the Danfoss logotype are trademarks of Danfoss A/S. All rights reserved.

Performance data at 60 Hz, EN 12900 rating conditions

R410A

Cond. temp. in °C (tc)	Evaporating temperature in °C (to)							
	-25	-20	-15	-10	-5	0	5	10

Cooling capacity in W

30	12 166	15 729	19 657	24 067	29 079	34 811	41 381	48 909	-
35	11 142	14 564	18 317	22 517	27 282	32 730	38 980	46 150	-
40	10 114	13 397	16 977	20 969	25 491	30 659	36 592	43 405	-
45	-	12 183	15 592	19 378	23 658	28 548	34 163	40 621	-
50	-	-	14 113	17 694	21 732	26 342	31 638	37 738	-
55	-	-	-	15 865	19 656	23 981	28 953	34 686	-
60	-	-	-	-	17 364	21 390	26 021	31 368	-
65	-	-	-	-	-	18 445	22 695	27 611	-

Power input in W

30	6 314	6 437	6 534	6 628	6 747	6 915	7 157	7 501	-
35	7 006	7 128	7 216	7 295	7 392	7 531	7 739	8 040	-
40	7 780	7 906	7 990	8 060	8 140	8 256	8 433	8 698	-
45	-	8 770	8 857	8 922	8 991	9 089	9 241	9 474	-
50	-	-	9 816	9 881	9 944	10 029	10 162	10 369	-
55	-	-	-	10 938	10 999	11 077	11 195	11 381	-
60	-	-	-	-	12 157	12 232	12 341	12 511	-
65	-	-	-	-	-	13 493	13 599	13 759	-

Current consumption in A

30	13.07	13.17	13.26	13.36	13.48	13.64	13.84	14.09	-
35	13.75	13.88	13.99	14.10	14.21	14.34	14.49	14.69	-
40	14.49	14.66	14.81	14.94	15.05	15.17	15.31	15.47	-
45	-	15.54	15.73	15.89	16.03	16.16	16.29	16.43	-
50	-	-	16.77	16.99	17.16	17.31	17.45	17.59	-
55	-	-	-	18.22	18.45	18.65	18.81	18.96	-
60	-	-	-	-	19.92	20.17	20.38	20.55	-
65	-	-	-	-	-	21.90	22.16	22.38	-

Mass flow in kg/h

30	271	346	426	514	613	724	851	996	-
35	259	333	413	501	598	709	834	978	-
40	247	321	400	487	584	693	818	960	-
45	-	307	386	472	568	676	799	940	-
50	-	-	369	454	549	657	779	918	-
55	-	-	-	433	527	633	754	892	-
60	-	-	-	-	500	605	724	861	-
65	-	-	-	-	-	570	689	823	-

Coefficient of performance (C.O.P.)

30	1.93	2.44	3.01	3.63	4.31	5.03	5.78	6.52	-
35	1.59	2.04	2.54	3.09	3.69	4.35	5.04	5.74	-
40	1.30	1.69	2.12	2.60	3.13	3.71	4.34	4.99	-
45	-	1.39	1.76	2.17	2.63	3.14	3.70	4.29	-
50	-	-	1.44	1.79	2.19	2.63	3.11	3.64	-
55	-	-	-	1.45	1.79	2.17	2.59	3.05	-
60	-	-	-	-	1.43	1.75	2.11	2.51	-
65	-	-	-	-	-	1.37	1.67	2.01	-

Nominal performance at to = 5 °C, tc = 50 °C

Cooling capacity	31 638	W
Power input	10 162	W
Current consumption	17.45	A
Mass flow	779	kg/h
C.O.P.	3.11	

Pressure switch settings

Maximum HP switch setting	45	bar(g)
Minimum LP switch setting	1.5	bar(g)
LP pump down setting	2.3	bar(g)

Sound power data

Sound power level	76	dB(A)
With acoustic hood	71	dB(A)

to: Evaporating temperature at dew point

tc: Condensing temperature at dew point

Rating conditions : Superheat = 10 K , Subcooling = 0 K

All performance data +/- 5%

Danfoss can accept no responsibility for possible errors in catalogues, brochures and other printed material. Danfoss reserves the right to alter its products without notice. This also applies to products already on order provided that such alternations can be made without subsequential changes being necessary in specifications already agreed. All trademarks in this material are property of the respective companies. Danfoss and the Danfoss logotype are trademarks of Danfoss A/S. All rights reserved.

**Performance data at 60 Hz, ARI rating conditions**
**R410A**

Cond. temp. in °C (tc)	Evaporating temperature in °C (to)							
	-25	-20	-15	-10	-5	0	5	10

**Cooling capacity in W**

30	13 138	16 968	21 184	25 913	31 281	37 414	44 439	52 483	-
35	12 111	15 812	19 863	24 392	29 524	35 387	42 106	49 808	-
40	11 080	14 656	18 548	22 882	27 785	33 383	39 802	47 169	-
45	-	13 453	17 192	21 337	26 016	31 354	37 479	44 516	-
50	-	-	15 746	19 708	24 168	29 253	35 089	41 802	-
55	-	-	-	17 946	22 194	27 031	32 583	38 978	-
60	-	-	-	-	20 045	24 639	29 914	35 996	-
65	-	-	-	-	-	22 031	27 034	32 808	-

**Power input in W**

30	6 314	6 437	6 534	6 628	6 747	6 915	7 157	7 501	-
35	7 006	7 128	7 216	7 295	7 392	7 531	7 739	8 040	-
40	7 780	7 906	7 990	8 060	8 140	8 256	8 433	8 698	-
45	-	8 770	8 857	8 922	8 991	9 089	9 241	9 474	-
50	-	-	9 816	9 881	9 944	10 029	10 162	10 369	-
55	-	-	-	10 938	10 999	11 077	11 195	11 381	-
60	-	-	-	-	12 157	12 232	12 341	12 511	-
65	-	-	-	-	-	13 493	13 599	13 759	-

**Current consumption in A**

30	13.07	13.17	13.26	13.36	13.48	13.64	13.84	14.09	-
35	13.75	13.88	13.99	14.10	14.21	14.34	14.49	14.69	-
40	14.49	14.66	14.81	14.94	15.05	15.17	15.31	15.47	-
45	-	15.54	15.73	15.89	16.03	16.16	16.29	16.43	-
50	-	-	16.77	16.99	17.16	17.31	17.45	17.59	-
55	-	-	-	18.22	18.45	18.65	18.81	18.96	-
60	-	-	-	-	19.92	20.17	20.38	20.55	-
65	-	-	-	-	-	21.90	22.16	22.38	-

**Mass flow in kg/h**

30	269	344	423	511	609	719	845	989	-
35	257	331	411	497	594	704	829	971	-
40	245	319	398	484	580	689	812	953	-
45	-	305	383	469	564	672	794	933	-
50	-	-	366	451	546	652	773	911	-
55	-	-	-	430	524	629	749	885	-
60	-	-	-	-	496	601	719	855	-
65	-	-	-	-	-	566	684	818	-

**Coefficient of performance (C.O.P.)**

30	2.08	2.64	3.24	3.91	4.64	5.41	6.21	7.00	-
35	1.73	2.22	2.75	3.34	3.99	4.70	5.44	6.20	-
40	1.42	1.85	2.32	2.84	3.41	4.04	4.72	5.42	-
45	-	1.53	1.94	2.39	2.89	3.45	4.06	4.70	-
50	-	-	1.60	1.99	2.43	2.92	3.45	4.03	-
55	-	-	-	1.64	2.02	2.44	2.91	3.42	-
60	-	-	-	-	1.65	2.01	2.42	2.88	-
65	-	-	-	-	-	1.63	1.99	2.38	-

**Nominal performance at to = 7.2 °C, tc = 54.4 °C**

Cooling capacity	35 610	W
Power input	11 138	W
Current consumption	18.70	A
Mass flow	810	kg/h
C.O.P.	3.20	

**Pressure switch settings**

Maximum HP switch setting	45	bar(g)
Minimum LP switch setting	1.5	bar(g)
LP pump down setting	2.3	bar(g)

**Sound power data**

Sound power level	76	dB(A)
With acoustic hood	71	dB(A)

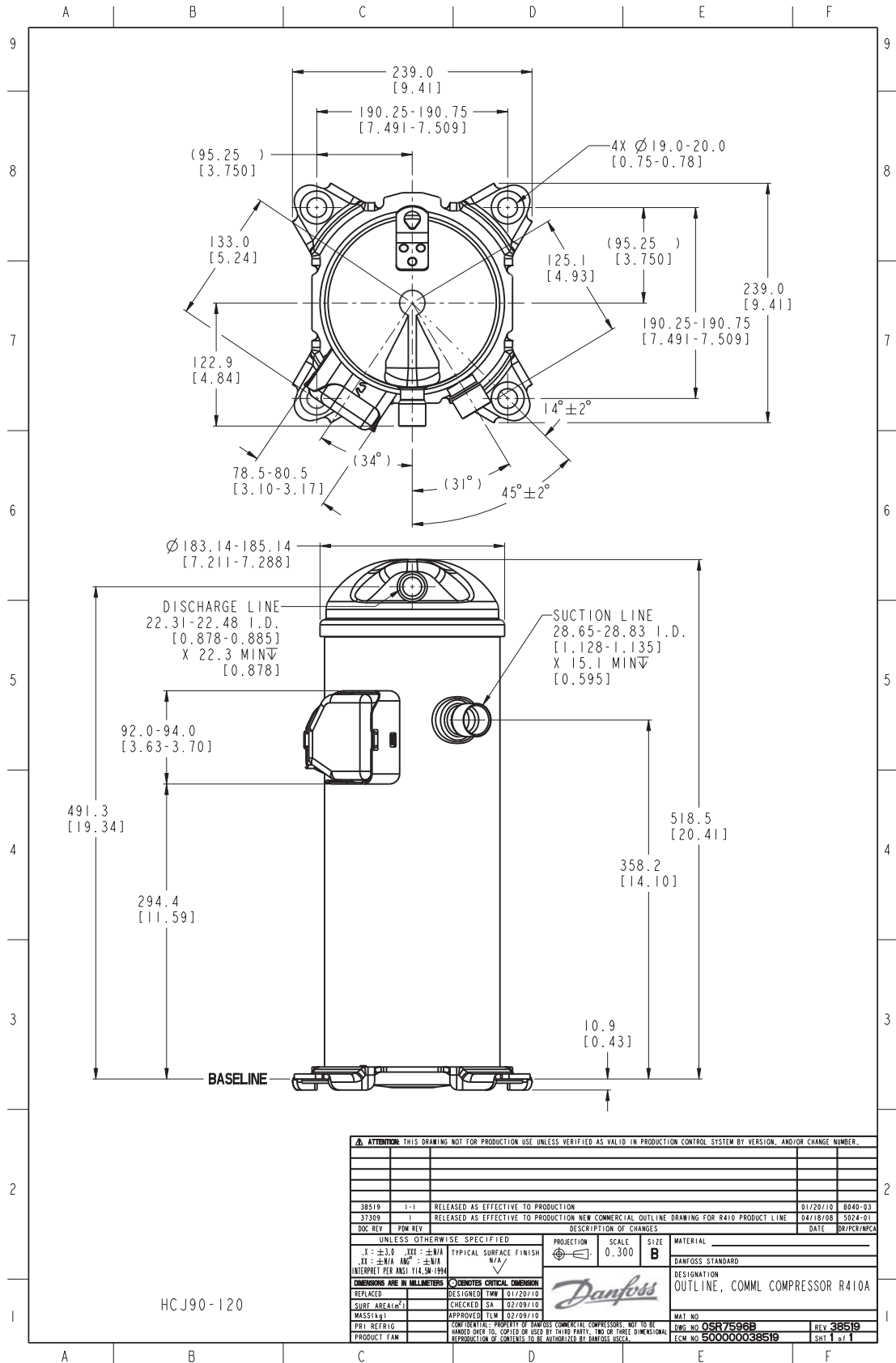
to: Evaporating temperature at dew point

tc: Condensing temperature at dew point

Rating conditions : Superheat = 11.1 K , Subcooling = 8.3 K

All performance data +/- 5%

Danfoss can accept no responsibility for possible errors in catalogues, brochures and other printed material. Danfoss reserves the right to alter its products without notice. This also applies to products already on order provided that such alternations can be made without subsequential changes being necessary in specifications already agreed. All trademarks in this material are property of the respective companies. Danfoss and the Danfoss logotype are trademarks of Danfoss A/S. All rights reserved.



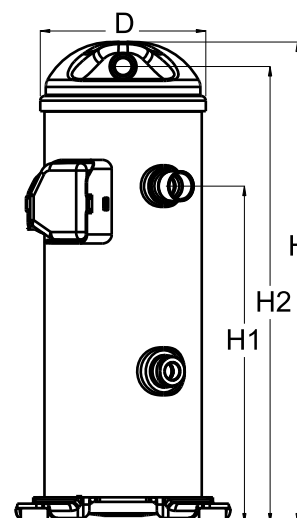
Danfoss can accept no responsibility for possible errors in catalogues, brochures and other printed material. Danfoss reserves the right to alter its products without notice. This also applies to products already on order provided that such alternations can be made without consequential changes being necessary in specifications already agreed. All trademarks in this material are property of the respective companies. Danfoss, the Danfoss logotype and Maneurop are trademarks of Danfoss A/S. All rights reserved.



**General Characteristics**

Model number (on compressor nameplate)		<b>HCJ120T4LC7</b>
Code number for Singlepack*		120U2558
Code number for Industrial pack**		120U2555
Drawing number		0SR7509B
Suction and discharge connections		Brazed
Suction connection		1-1/8" ODF
Discharge connection		7/8" ODF
Oil sight glass		Threaded
Oil equalisation connection		None
Oil drain connection		None
LP gauge port		None
IPR valve		None
Swept volume		113,07 cm <sup>3</sup> /rev
Displacement @ Nominal speed		19.7 m <sup>3</sup> /h @ 2900 rpm - 23.7 m <sup>3</sup> /h @ 3500 rpm
Net weight		45,2 kg
Oil charge		2,66 litre, PVE --
Maximum system test pressure Low Side / High side		- bar(g) / - bar(g)
Maximum differential test pressure		- bar
Maximum number of starts per hour		-
Refrigerant charge limit		7,26 kg
Approved refrigerants		R410A

**Dimensions**

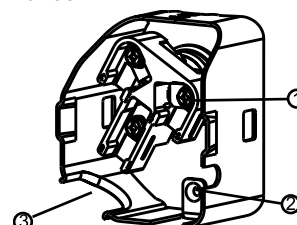


D=184 mm  
H=537 mm  
H1=377 mm  
H2=510 mm  
H3=- mm

**Electrical Characteristics**

Nominal voltage	380-415V/3/50Hz - 460V/3/60Hz
Voltage range	342-457 V @ 50Hz - 414-506 V @ 60Hz
Winding resistance between phases 1-2 +/- 7% at 25°C	1.13 Ω
Winding resistance between phases 1-3 +/- 7% at 25°C	1.11 Ω
Winding resistance between phases 2-3 +/- 7% at 25°C	1.10 Ω
Rated Load Amps (RLA)	19.2 A
Maximum Continuous Current (MCC)	27.0 A
Locked Rotor Amps (LRA)	140.0 A
Motor protection	Internal overload protector

**Terminal box**



IP22

- 1: Screw connectors 10-32 UNF x 9.5
- 2: Earth connection
- 3: Power cable passage

**Recommended Installation torques**

Oil sight glass	52,5 Nm
Power connections / Earth connection	3 Nm / 2 Nm

**Parts shipped with compressor**

Mounting kit with grommets and sleeves
Initial oil charge
Installation instructions

**Approvals** : CE certified, UL certified (file SA11565), -

\*Singlepack: Compressor in cardboard box

\*\*Industrial pack: 12 or 16 Unboxed compressors on pallet

**Rotolock accessories, suction side**

**Code no.**

Solder sleeve, P02 (1-3/4" Rotolock, 1-1/8" ODF)	8153004
Angle adapter, C02 (1-3/4" Rotolock, 1-1/8" ODF)	8168005
Rotolock valve, V02 (1-3/4" Rotolock, 1-1/8" ODF)	8168028
Gasket, 1-3/4"	8156132

**Rotolock accessories, discharge side**

**Code no.**

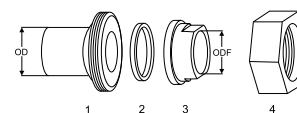
Rotolock valve, V05 (1-1/4" Rotolock, 7/8" ODF)	8168030
Gasket, 1-3/4"	8156132

**Rotolock accessories, sets**

**Code no.**

Solder sleeve adapter set (1-3/4" Rotolock, 1-1/8" ODF), (1-1/4" Rotolock, 7/8" ODF)	120Z0125
Valve set, V02(1"3/4~1"1/8), V05(1"1/4~7/8")	120Z0403
Gasket set, 1", 1-1/4", 1-3/4", OSG gaskets black & white	8156009

**Solder sleeve adapter set**



- 1: Rotolock adapter (Suc & Dis)
- 2: Gasket (Suc & Dis)
- 3: Solder sleeve (Suc & Dis)
- 4: Rotolock nut (Suc & Dis)

**Oil / lubricants**

**Code no.**

PVE lubricant, 320HV (FVC68D), 1 litre can	120Z5034
--	----------

**Crankcase heaters**

**Code no.**

Belt type crankcase heater, 65 W, 230 V, CE mark, UL	120Z0059
Belt type crankcase heater, 65 W, 400 V, CE mark, UL	120Z0060
Belt type crankcase heater, 70 W, 240 V, CE mark, UL	120Z5040
Belt type crankcase heater, 70 W, 240 V, CE mark, UL	120Z5040

**Miscellaneous accessories**

**Code no.**

Acoustic hood	120Z5045
Discharge thermostat kit	7750009

**Spare parts**

**Code no.**

Mounting kit for 1 scroll compressor including 4 grommets, 4 sleeves, 4 bolts, 4 washers	120Z5005
Mounting kit, including 1 bolt, 1 sleeve, 1 washer	120Z5031

**Performance data at 50 Hz, EN 12900 rating conditions**
**R410A**

Cond. temp. in °C (tc)	Evaporating temperature in °C (to)							
	-25	-20	-15	-10	-5	0	5	10

**Cooling capacity in W**

30	10 035	12 858	16 131	19 866	24 075	28 767	33 955	39 649	-
35	9 110	11 766	14 892	18 502	22 605	27 213	32 337	37 988	-
40	8 373	10 794	13 705	17 119	21 046	25 498	30 486	36 021	-
45	-	9 996	12 624	15 773	19 454	23 679	28 459	33 804	-
50	-	-	11 700	14 517	17 882	21 809	26 307	31 388	-
55	-	-	-	13 391	16 372	19 928	24 070	28 810	-
60	-	-	-	-	14 945	18 057	21 766	26 082	-
65	-	-	-	-	-	16 157	19 345	23 143	-

**Power input in W**

30	5 242	5 402	5 511	5 576	5 603	5 596	5 562	5 507	-
35	5 911	6 011	6 093	6 165	6 231	6 297	6 369	6 452	-
40	6 774	6 767	6 775	6 806	6 864	6 956	7 087	7 263	-
45	-	7 756	7 644	7 587	7 591	7 662	7 805	8 026	-
50	-	-	8 787	8 595	8 498	8 501	8 609	8 828	-
55	-	-	-	9 918	9 672	9 559	9 586	9 756	-
60	-	-	-	-	11 201	10 926	10 823	10 898	-
65	-	-	-	-	-	12 687	12 408	12 341	-

**Current consumption in A**

30	13.21	13.29	13.39	13.50	13.60	13.68	13.73	13.73	-
35	13.99	14.00	14.06	14.15	14.27	14.39	14.50	14.58	-
40	14.96	14.88	14.88	14.93	15.03	15.17	15.32	15.47	-
45	-	15.99	15.90	15.89	15.96	16.09	16.26	16.46	-
50	-	-	17.20	17.11	17.12	17.21	17.38	17.61	-
55	-	-	-	18.64	18.57	18.61	18.75	18.98	-
60	-	-	-	-	20.37	20.34	20.43	20.64	-
65	-	-	-	-	-	22.46	22.49	22.65	-

**Mass flow in kg/h**

30	223	282	349	424	507	599	699	808	-
35	211	269	336	411	496	590	693	806	-
40	203	258	323	398	482	577	681	796	-
45	-	251	313	385	468	561	666	781	-
50	-	-	305	373	453	544	647	762	-
55	-	-	-	364	439	527	627	740	-
60	-	-	-	-	429	511	606	715	-
65	-	-	-	-	-	497	587	691	-

**Coefficient of performance (C.O.P.)**

30	1.91	2.38	2.93	3.56	4.30	5.14	6.10	7.20	-
35	1.54	1.96	2.44	3.00	3.63	4.32	5.08	5.89	-
40	1.24	1.60	2.02	2.52	3.07	3.67	4.30	4.96	-
45	-	1.29	1.65	2.08	2.56	3.09	3.65	4.21	-
50	-	-	1.33	1.69	2.10	2.57	3.06	3.56	-
55	-	-	-	1.35	1.69	2.08	2.51	2.95	-
60	-	-	-	-	1.33	1.65	2.01	2.39	-
65	-	-	-	-	-	1.27	1.56	1.88	-

**Nominal performance at to = 5 °C, tc = 50 °C**

Cooling capacity	26 307	W
Power input	8 609	W
Current consumption	17.38	A
Mass flow	647	kg/h
C.O.P.	3.06	

**Pressure switch settings**

Maximum HP switch setting	45	bar(g)
Minimum LP switch setting	1.5	bar(g)
LP pump down setting	2.3	bar(g)

**Sound power data**

Sound power level	73	dB(A)
With acoustic hood	68	dB(A)

to: Evaporating temperature at dew point

tc: Condensing temperature at dew point

Rating conditions : Superheat = 10 K , Subcooling = 0 K

All performance data +/- 5%

Danfoss can accept no responsibility for possible errors in catalogues, brochures and other printed material. Danfoss reserves the right to alter its products without notice. This also applies to products already on order provided that such alternations can be made without subsequential changes being necessary in specifications already agreed. All trademarks in this material are property of the respective companies. Danfoss and the Danfoss logotype are trademarks of Danfoss A/S. All rights reserved.

Performance data at 50 Hz, ARI rating conditions

R410A

Cond. temp. in °C (tc)	Evaporating temperature in °C (to)							
	-25	-20	-15	-10	-5	0	5	10

Cooling capacity in W

30	10 837	13 871	17 385	21 390	25 897	30 918	36 464	42 546	-
35	9 902	12 773	16 150	20 042	24 462	29 421	34 929	40 999	-
40	9 172	11 808	14 973	18 680	22 940	27 763	33 160	39 144	-
45	-	11 038	13 920	17 368	21 393	26 007	31 221	37 045	-
50	-	-	13 053	16 169	19 887	24 219	29 175	34 768	-
55	-	-	-	15 148	18 486	22 462	27 088	32 375	-
60	-	-	-	-	17 253	20 800	25 023	29 931	-
65	-	-	-	-	-	19 298	23 043	27 499	-

Power input in W

30	5 242	5 402	5 511	5 576	5 603	5 596	5 562	5 507	-
35	5 911	6 011	6 093	6 165	6 231	6 297	6 369	6 452	-
40	6 774	6 767	6 775	6 806	6 864	6 956	7 087	7 263	-
45	-	7 756	7 644	7 587	7 591	7 662	7 805	8 026	-
50	-	-	8 787	8 595	8 498	8 501	8 609	8 828	-
55	-	-	-	9 918	9 672	9 559	9 586	9 756	-
60	-	-	-	-	11 201	10 926	10 823	10 898	-
65	-	-	-	-	-	12 687	12 408	12 341	-

Current consumption in A

30	13.21	13.29	13.39	13.50	13.60	13.68	13.73	13.73	-
35	13.99	14.00	14.06	14.15	14.27	14.39	14.50	14.58	-
40	14.96	14.88	14.88	14.93	15.03	15.17	15.32	15.47	-
45	-	15.99	15.90	15.89	15.96	16.09	16.26	16.46	-
50	-	-	17.20	17.11	17.12	17.21	17.38	17.61	-
55	-	-	-	18.64	18.57	18.61	18.75	18.98	-
60	-	-	-	-	20.37	20.34	20.43	20.64	-
65	-	-	-	-	-	22.46	22.49	22.65	-

Mass flow in kg/h

30	222	280	347	421	504	595	694	803	-
35	210	268	334	409	493	586	688	800	-
40	202	257	321	395	479	573	677	790	-
45	-	249	311	382	465	557	661	776	-
50	-	-	303	371	450	541	643	756	-
55	-	-	-	362	437	523	623	734	-
60	-	-	-	-	426	508	602	710	-
65	-	-	-	-	-	494	583	686	-

Coefficient of performance (C.O.P.)

30	2.07	2.57	3.15	3.84	4.62	5.52	6.56	7.73	-
35	1.68	2.13	2.65	3.25	3.93	4.67	5.48	6.35	-
40	1.35	1.75	2.21	2.74	3.34	3.99	4.68	5.39	-
45	-	1.42	1.82	2.29	2.82	3.39	4.00	4.62	-
50	-	-	1.49	1.88	2.34	2.85	3.39	3.94	-
55	-	-	-	1.53	1.91	2.35	2.83	3.32	-
60	-	-	-	-	1.54	1.90	2.31	2.75	-
65	-	-	-	-	-	1.52	1.86	2.23	-

Nominal performance at to = 7.2 °C, tc = 54.4 °C

Cooling capacity	29 601	W
Power input	9 517	W
Current consumption	18.66	A
Mass flow	673	kg/h
C.O.P.	3.11	

Pressure switch settings

Maximum HP switch setting	45	bar(g)
Minimum LP switch setting	1.5	bar(g)
LP pump down setting	2.3	bar(g)

Sound power data

Sound power level	73	dB(A)
With acoustic hood	68	dB(A)

to: Evaporating temperature at dew point

tc: Condensing temperature at dew point

Rating conditions : Superheat = 11.1 K , Subcooling = 8.3 K

All performance data +/- 5%

Danfoss can accept no responsibility for possible errors in catalogues, brochures and other printed material. Danfoss reserves the right to alter its products without notice. This also applies to products already on order provided that such alternations can be made without subsequential changes being necessary in specifications already agreed. All trademarks in this material are property of the respective companies. Danfoss and the Danfoss logotype are trademarks of Danfoss A/S. All rights reserved.

Performance data at 60 Hz, EN 12900 rating conditions

R410A

Cond. temp. in °C (tc)	Evaporating temperature in °C (to)							
	-25	-20	-15	-10	-5	0	5	10

Cooling capacity in W

30	12 166	15 729	19 657	24 067	29 079	34 811	41 381	48 909	-
35	11 142	14 564	18 317	22 517	27 282	32 730	38 980	46 150	-
40	10 114	13 397	16 977	20 969	25 491	30 659	36 592	43 405	-
45	-	12 183	15 592	19 378	23 658	28 548	34 163	40 621	-
50	-	-	14 113	17 694	21 732	26 342	31 638	37 738	-
55	-	-	-	15 865	19 656	23 981	28 953	34 686	-
60	-	-	-	-	17 364	21 390	26 021	31 368	-
65	-	-	-	-	-	18 445	22 695	27 611	-

Power input in W

30	6 314	6 437	6 534	6 628	6 747	6 915	7 157	7 501	-
35	7 006	7 128	7 216	7 295	7 392	7 531	7 739	8 040	-
40	7 780	7 906	7 990	8 060	8 140	8 256	8 433	8 698	-
45	-	8 770	8 857	8 922	8 991	9 089	9 241	9 474	-
50	-	-	9 816	9 881	9 944	10 029	10 162	10 369	-
55	-	-	-	10 938	10 999	11 077	11 195	11 381	-
60	-	-	-	-	12 157	12 232	12 341	12 511	-
65	-	-	-	-	-	13 493	13 599	13 759	-

Current consumption in A

30	13.07	13.17	13.26	13.36	13.48	13.64	13.84	14.09	-
35	13.75	13.88	13.99	14.10	14.21	14.34	14.49	14.69	-
40	14.49	14.66	14.81	14.94	15.05	15.17	15.31	15.47	-
45	-	15.54	15.73	15.89	16.03	16.16	16.29	16.43	-
50	-	-	16.77	16.99	17.16	17.31	17.45	17.59	-
55	-	-	-	18.22	18.45	18.65	18.81	18.96	-
60	-	-	-	-	19.92	20.17	20.38	20.55	-
65	-	-	-	-	-	21.90	22.16	22.38	-

Mass flow in kg/h

30	271	346	426	514	613	724	851	996	-
35	259	333	413	501	598	709	834	978	-
40	247	321	400	487	584	693	818	960	-
45	-	307	386	472	568	676	799	940	-
50	-	-	369	454	549	657	779	918	-
55	-	-	-	433	527	633	754	892	-
60	-	-	-	-	500	605	724	861	-
65	-	-	-	-	-	570	689	823	-

Coefficient of performance (C.O.P.)

30	1.93	2.44	3.01	3.63	4.31	5.03	5.78	6.52	-
35	1.59	2.04	2.54	3.09	3.69	4.35	5.04	5.74	-
40	1.30	1.69	2.12	2.60	3.13	3.71	4.34	4.99	-
45	-	1.39	1.76	2.17	2.63	3.14	3.70	4.29	-
50	-	-	1.44	1.79	2.19	2.63	3.11	3.64	-
55	-	-	-	1.45	1.79	2.17	2.59	3.05	-
60	-	-	-	-	1.43	1.75	2.11	2.51	-
65	-	-	-	-	-	1.37	1.67	2.01	-

Nominal performance at to = 5 °C, tc = 50 °C

Cooling capacity	31 638	W
Power input	10 162	W
Current consumption	17.45	A
Mass flow	779	kg/h
C.O.P.	3.11	

Pressure switch settings

Maximum HP switch setting	45	bar(g)
Minimum LP switch setting	1.5	bar(g)
LP pump down setting	2.3	bar(g)

Sound power data

Sound power level	76	dB(A)
With acoustic hood	71	dB(A)

to: Evaporating temperature at dew point

tc: Condensing temperature at dew point

Rating conditions : Superheat = 10 K , Subcooling = 0 K

All performance data +/- 5%

Danfoss can accept no responsibility for possible errors in catalogues, brochures and other printed material. Danfoss reserves the right to alter its products without notice. This also applies to products already on order provided that such alternations can be made without subsequential changes being necessary in specifications already agreed. All trademarks in this material are property of the respective companies. Danfoss and the Danfoss logotype are trademarks of Danfoss A/S. All rights reserved.

**Performance data at 60 Hz, ARI rating conditions**
**R410A**

Cond. temp. in °C (tc)	Evaporating temperature in °C (to)							
	-25	-20	-15	-10	-5	0	5	10

**Cooling capacity in W**

30	13 138	16 968	21 184	25 913	31 281	37 414	44 439	52 483	-
35	12 111	15 812	19 863	24 392	29 524	35 387	42 106	49 808	-
40	11 080	14 656	18 548	22 882	27 785	33 383	39 802	47 169	-
45	-	13 453	17 192	21 337	26 016	31 354	37 479	44 516	-
50	-	-	15 746	19 708	24 168	29 253	35 089	41 802	-
55	-	-	-	17 946	22 194	27 031	32 583	38 978	-
60	-	-	-	-	20 045	24 639	29 914	35 996	-
65	-	-	-	-	-	22 031	27 034	32 808	-

**Power input in W**

30	6 314	6 437	6 534	6 628	6 747	6 915	7 157	7 501	-
35	7 006	7 128	7 216	7 295	7 392	7 531	7 739	8 040	-
40	7 780	7 906	7 990	8 060	8 140	8 256	8 433	8 698	-
45	-	8 770	8 857	8 922	8 991	9 089	9 241	9 474	-
50	-	-	9 816	9 881	9 944	10 029	10 162	10 369	-
55	-	-	-	10 938	10 999	11 077	11 195	11 381	-
60	-	-	-	-	12 157	12 232	12 341	12 511	-
65	-	-	-	-	-	13 493	13 599	13 759	-

**Current consumption in A**

30	13.07	13.17	13.26	13.36	13.48	13.64	13.84	14.09	-
35	13.75	13.88	13.99	14.10	14.21	14.34	14.49	14.69	-
40	14.49	14.66	14.81	14.94	15.05	15.17	15.31	15.47	-
45	-	15.54	15.73	15.89	16.03	16.16	16.29	16.43	-
50	-	-	16.77	16.99	17.16	17.31	17.45	17.59	-
55	-	-	-	18.22	18.45	18.65	18.81	18.96	-
60	-	-	-	-	19.92	20.17	20.38	20.55	-
65	-	-	-	-	-	21.90	22.16	22.38	-

**Mass flow in kg/h**

30	269	344	423	511	609	719	845	989	-
35	257	331	411	497	594	704	829	971	-
40	245	319	398	484	580	689	812	953	-
45	-	305	383	469	564	672	794	933	-
50	-	-	366	451	546	652	773	911	-
55	-	-	-	430	524	629	749	885	-
60	-	-	-	-	496	601	719	855	-
65	-	-	-	-	-	566	684	818	-

**Coefficient of performance (C.O.P.)**

30	2.08	2.64	3.24	3.91	4.64	5.41	6.21	7.00	-
35	1.73	2.22	2.75	3.34	3.99	4.70	5.44	6.20	-
40	1.42	1.85	2.32	2.84	3.41	4.04	4.72	5.42	-
45	-	1.53	1.94	2.39	2.89	3.45	4.06	4.70	-
50	-	-	1.60	1.99	2.43	2.92	3.45	4.03	-
55	-	-	-	1.64	2.02	2.44	2.91	3.42	-
60	-	-	-	-	1.65	2.01	2.42	2.88	-
65	-	-	-	-	-	1.63	1.99	2.38	-

**Nominal performance at to = 7.2 °C, tc = 54.4 °C**

Cooling capacity	35 610	W
Power input	11 138	W
Current consumption	18.70	A
Mass flow	810	kg/h
C.O.P.	3.20	

**Pressure switch settings**

Maximum HP switch setting	45	bar(g)
Minimum LP switch setting	1.5	bar(g)
LP pump down setting	2.3	bar(g)

**Sound power data**

Sound power level	76	dB(A)
With acoustic hood	71	dB(A)

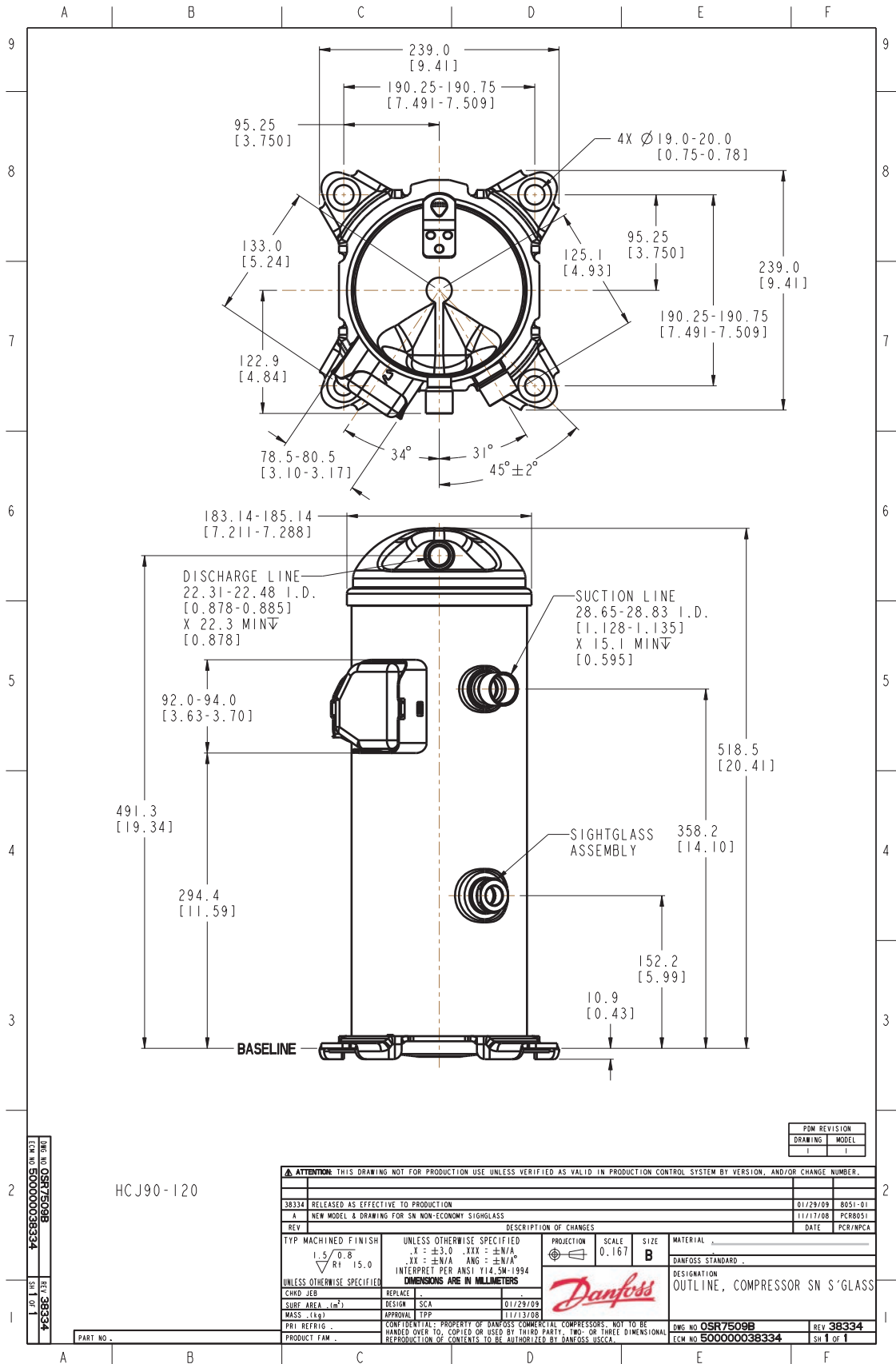
to: Evaporating temperature at dew point

tc: Condensing temperature at dew point

Rating conditions : Superheat = 11.1 K , Subcooling = 8.3 K

All performance data +/- 5%

Danfoss can accept no responsibility for possible errors in catalogues, brochures and other printed material. Danfoss reserves the right to alter its products without notice. This also applies to products already on order provided that such alternations can be made without subsequential changes being necessary in specifications already agreed. All trademarks in this material are property of the respective companies. Danfoss and the Danfoss logotype are trademarks of Danfoss A/S. All rights reserved.

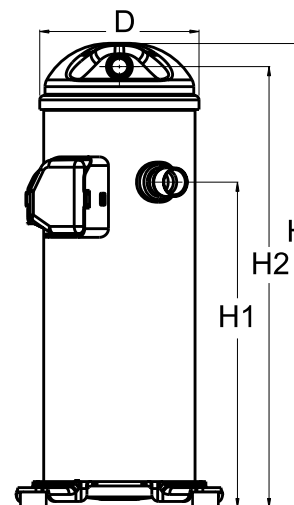


Danfoss can accept no responsibility for possible errors in catalogues, brochures and other printed material. Danfoss reserves the right to alter its products without notice. This also applies to products already on order provided that such alternations can be made without subsequential changes being necessary in specifications already agreed. All trademarks in this material are property of the respective companies. Danfoss, the Danfoss logotype and Maneurop are trademarks of Danfoss A/S. All rights reserved.

**General Characteristics**

Model number (on compressor nameplate)		<b>HCJ120T4LC8</b>
Code number for Singlepack*		120U2562
Code number for Industrial pack**		120U2559
Drawing number		0SR7508B
Suction and discharge connections		Brazed
Suction connection		1-1/8" ODF
Discharge connection		7/8" ODF
Oil sight glass		None
Oil equalisation connection		1/2"
Oil drain connection		None
LP gauge port		None
IPR valve		None
Swept volume		113,07 cm <sup>3</sup> /rev
Displacement @ Nominal speed		19.7 m <sup>3</sup> /h @ 2900 rpm - 23.7 m <sup>3</sup> /h @ 3500 rpm
Net weight		45,2 kg
Oil charge		2,66 litre, PVE --
Maximum system test pressure Low Side / High side		- bar(g) / - bar(g)
Maximum differential test pressure		- bar
Maximum number of starts per hour		-
Refrigerant charge limit		7,26 kg
Approved refrigerants		R410A

**Dimensions**



D=184 mm

H=537 mm

H1=377 mm

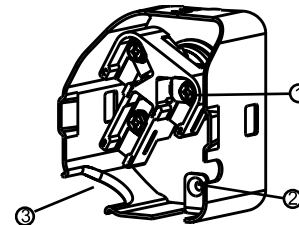
H2=510 mm

H3=- mm

**Electrical Characteristics**

Nominal voltage	380-415V/3/50Hz - 460V/3/60Hz
Voltage range	342-457 V @ 50Hz - 414-506 V @ 60Hz
Winding resistance between phases 1-2 +/- 7% at 25°C	1.13 Ω
Winding resistance between phases 1-3 +/- 7% at 25°C	1.11 Ω
Winding resistance between phases 2-3 +/- 7% at 25°C	1.10 Ω
Rated Load Amps (RLA)	19.2 A
Maximum Continuous Current (MCC)	27.0 A
Locked Rotor Amps (LRA)	140.0 A
Motor protection	Internal overload protector

**Terminal box**



IP22

1: Screw connectors 10-32 UNF x 9.5

2: Earth connection

3: Power cable passage

**Recommended Installation torques**

Oil sight glass	52,5 Nm
Power connections / Earth connection	3 Nm / 2 Nm

**Parts shipped with compressor**

Mounting kit with grommets and sleeves
Initial oil charge
Installation instructions

**Approvals** : CE certified, UL certified (file SA11565), -

\*Singlepack: Compressor in cardboard box

\*\*Industrial pack: 12 or 16 Unboxed compressors on pallet



**Rotolock accessories, suction side**

**Code no.**

Solder sleeve, P02 (1-3/4" Rotolock, 1-1/8" ODF)	8153004
Angle adapter, C02 (1-3/4" Rotolock, 1-1/8" ODF)	8168005
Rotolock valve, V02 (1-3/4" Rotolock, 1-1/8" ODF)	8168028
Gasket, 1-3/4"	8156132

**Rotolock accessories, discharge side**

**Code no.**

Rotolock valve, V05 (1-1/4" Rotolock, 7/8" ODF)	8168030
Gasket, 1-3/4"	8156132

**Rotolock accessories, sets**

**Code no.**

Solder sleeve adapter set (1-3/4" Rotolock, 1-1/8" ODF), (1-1/4" Rotolock, 7/8" ODF)	120Z0125
Valve set, V02(1"3/4~1"1/8), V05(1"1/4~7/8")	120Z0403
Gasket set, 1", 1-1/4", 1-3/4", OSG gaskets black & white	8156009

**Oil / lubricants**

**Code no.**

PVE lubricant, 320HV (FVC68D), 1 litre can	120Z5034
--	----------

**Crankcase heaters**

**Code no.**

Belt type crankcase heater, 65 W, 230 V, CE mark, UL	120Z0059
Belt type crankcase heater, 65 W, 400 V, CE mark, UL	120Z0060
Belt type crankcase heater, 70 W, 240 V, CE mark, UL	120Z5040
Belt type crankcase heater, 70 W, 240 V, CE mark, UL	120Z5040

**Miscellaneous accessories**

**Code no.**

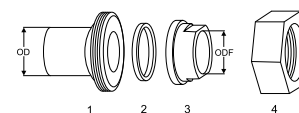
Acoustic hood	120Z5045
Discharge thermostat kit	7750009

**Spare parts**

**Code no.**

Mounting kit for 1 scroll compressor including 4 grommets, 4 sleeves, 4 bolts, 4 washers	120Z5005
Mounting kit, including 1 bolt, 1 sleeve, 1 washer	120Z5031

**Solder sleeve adapter set**



- 1: Rotolock adapter (Suc & Dis)
- 2: Gasket (Suc & Dis)
- 3: Solder sleeve (Suc & Dis)
- 4: Rotolock nut (Suc & Dis)

**Performance data at 50 Hz, EN 12900 rating conditions**
**R410A**

Cond. temp. in °C (tc)	Evaporating temperature in °C (to)							
	-25	-20	-15	-10	-5	0	5	10

**Cooling capacity in W**

30	10 035	12 858	16 131	19 866	24 075	28 767	33 955	39 649	-
35	9 110	11 766	14 892	18 502	22 605	27 213	32 337	37 988	-
40	8 373	10 794	13 705	17 119	21 046	25 498	30 486	36 021	-
45	-	9 996	12 624	15 773	19 454	23 679	28 459	33 804	-
50	-	-	11 700	14 517	17 882	21 809	26 307	31 388	-
55	-	-	-	13 391	16 372	19 928	24 070	28 810	-
60	-	-	-	-	14 945	18 057	21 766	26 082	-
65	-	-	-	-	-	16 157	19 345	23 143	-

**Power input in W**

30	5 242	5 402	5 511	5 576	5 603	5 596	5 562	5 507	-
35	5 911	6 011	6 093	6 165	6 231	6 297	6 369	6 452	-
40	6 774	6 767	6 775	6 806	6 864	6 956	7 087	7 263	-
45	-	7 756	7 644	7 587	7 591	7 662	7 805	8 026	-
50	-	-	8 787	8 595	8 498	8 501	8 609	8 828	-
55	-	-	-	9 918	9 672	9 559	9 586	9 756	-
60	-	-	-	-	11 201	10 926	10 823	10 898	-
65	-	-	-	-	-	12 687	12 408	12 341	-

**Current consumption in A**

30	13.21	13.29	13.39	13.50	13.60	13.68	13.73	13.73	-
35	13.99	14.00	14.06	14.15	14.27	14.39	14.50	14.58	-
40	14.96	14.88	14.88	14.93	15.03	15.17	15.32	15.47	-
45	-	15.99	15.90	15.89	15.96	16.09	16.26	16.46	-
50	-	-	17.20	17.11	17.12	17.21	17.38	17.61	-
55	-	-	-	18.64	18.57	18.61	18.75	18.98	-
60	-	-	-	-	20.37	20.34	20.43	20.64	-
65	-	-	-	-	-	22.46	22.49	22.65	-

**Mass flow in kg/h**

30	223	282	349	424	507	599	699	808	-
35	211	269	336	411	496	590	693	806	-
40	203	258	323	398	482	577	681	796	-
45	-	251	313	385	468	561	666	781	-
50	-	-	305	373	453	544	647	762	-
55	-	-	-	364	439	527	627	740	-
60	-	-	-	-	429	511	606	715	-
65	-	-	-	-	-	497	587	691	-

**Coefficient of performance (C.O.P.)**

30	1.91	2.38	2.93	3.56	4.30	5.14	6.10	7.20	-
35	1.54	1.96	2.44	3.00	3.63	4.32	5.08	5.89	-
40	1.24	1.60	2.02	2.52	3.07	3.67	4.30	4.96	-
45	-	1.29	1.65	2.08	2.56	3.09	3.65	4.21	-
50	-	-	1.33	1.69	2.10	2.57	3.06	3.56	-
55	-	-	-	1.35	1.69	2.08	2.51	2.95	-
60	-	-	-	-	1.33	1.65	2.01	2.39	-
65	-	-	-	-	-	1.27	1.56	1.88	-

**Nominal performance at to = 5 °C, tc = 50 °C**

Cooling capacity	26 307	W
Power input	8 609	W
Current consumption	17.38	A
Mass flow	647	kg/h
C.O.P.	3.06	

**Pressure switch settings**

Maximum HP switch setting	45	bar(g)
Minimum LP switch setting	1.5	bar(g)
LP pump down setting	2.3	bar(g)

**Sound power data**

Sound power level	73	dB(A)
With acoustic hood	68	dB(A)

to: Evaporating temperature at dew point

tc: Condensing temperature at dew point

Rating conditions : Superheat = 10 K , Subcooling = 0 K

All performance data +/- 5%

Danfoss can accept no responsibility for possible errors in catalogues, brochures and other printed material. Danfoss reserves the right to alter its products without notice. This also applies to products already on order provided that such alternations can be made without subsequential changes being necessary in specifications already agreed. All trademarks in this material are property of the respective companies. Danfoss and the Danfoss logotype are trademarks of Danfoss A/S. All rights reserved.

Performance data at 50 Hz, ARI rating conditions

R410A

Cond. temp. in °C (tc)	Evaporating temperature in °C (to)							
	-25	-20	-15	-10	-5	0	5	10

Cooling capacity in W

30	10 837	13 871	17 385	21 390	25 897	30 918	36 464	42 546	-
35	9 902	12 773	16 150	20 042	24 462	29 421	34 929	40 999	-
40	9 172	11 808	14 973	18 680	22 940	27 763	33 160	39 144	-
45	-	11 038	13 920	17 368	21 393	26 007	31 221	37 045	-
50	-	-	13 053	16 169	19 887	24 219	29 175	34 768	-
55	-	-	-	15 148	18 486	22 462	27 088	32 375	-
60	-	-	-	-	17 253	20 800	25 023	29 931	-
65	-	-	-	-	-	19 298	23 043	27 499	-

Power input in W

30	5 242	5 402	5 511	5 576	5 603	5 596	5 562	5 507	-
35	5 911	6 011	6 093	6 165	6 231	6 297	6 369	6 452	-
40	6 774	6 767	6 775	6 806	6 864	6 956	7 087	7 263	-
45	-	7 756	7 644	7 587	7 591	7 662	7 805	8 026	-
50	-	-	8 787	8 595	8 498	8 501	8 609	8 828	-
55	-	-	-	9 918	9 672	9 559	9 586	9 756	-
60	-	-	-	-	11 201	10 926	10 823	10 898	-
65	-	-	-	-	-	12 687	12 408	12 341	-

Current consumption in A

30	13.21	13.29	13.39	13.50	13.60	13.68	13.73	13.73	-
35	13.99	14.00	14.06	14.15	14.27	14.39	14.50	14.58	-
40	14.96	14.88	14.88	14.93	15.03	15.17	15.32	15.47	-
45	-	15.99	15.90	15.89	15.96	16.09	16.26	16.46	-
50	-	-	17.20	17.11	17.12	17.21	17.38	17.61	-
55	-	-	-	18.64	18.57	18.61	18.75	18.98	-
60	-	-	-	-	20.37	20.34	20.43	20.64	-
65	-	-	-	-	-	22.46	22.49	22.65	-

Mass flow in kg/h

30	222	280	347	421	504	595	694	803	-
35	210	268	334	409	493	586	688	800	-
40	202	257	321	395	479	573	677	790	-
45	-	249	311	382	465	557	661	776	-
50	-	-	303	371	450	541	643	756	-
55	-	-	-	362	437	523	623	734	-
60	-	-	-	-	426	508	602	710	-
65	-	-	-	-	-	494	583	686	-

Coefficient of performance (C.O.P.)

30	2.07	2.57	3.15	3.84	4.62	5.52	6.56	7.73	-
35	1.68	2.13	2.65	3.25	3.93	4.67	5.48	6.35	-
40	1.35	1.75	2.21	2.74	3.34	3.99	4.68	5.39	-
45	-	1.42	1.82	2.29	2.82	3.39	4.00	4.62	-
50	-	-	1.49	1.88	2.34	2.85	3.39	3.94	-
55	-	-	-	1.53	1.91	2.35	2.83	3.32	-
60	-	-	-	-	1.54	1.90	2.31	2.75	-
65	-	-	-	-	-	1.52	1.86	2.23	-

Nominal performance at to = 7.2 °C, tc = 54.4 °C

Cooling capacity	29 601	W
Power input	9 517	W
Current consumption	18.66	A
Mass flow	673	kg/h
C.O.P.	3.11	

Pressure switch settings

Maximum HP switch setting	45	bar(g)
Minimum LP switch setting	1.5	bar(g)
LP pump down setting	2.3	bar(g)

Sound power data

Sound power level	73	dB(A)
With acoustic hood	68	dB(A)

to: Evaporating temperature at dew point

tc: Condensing temperature at dew point

Rating conditions : Superheat = 11.1 K , Subcooling = 8.3 K

All performance data +/- 5%

Danfoss can accept no responsibility for possible errors in catalogues, brochures and other printed material. Danfoss reserves the right to alter its products without notice. This also applies to products already on order provided that such alternations can be made without subsequential changes being necessary in specifications already agreed. All trademarks in this material are property of the respective companies. Danfoss and the Danfoss logotype are trademarks of Danfoss A/S. All rights reserved.

Performance data at 60 Hz, EN 12900 rating conditions

R410A

Cond. temp. in °C (tc)	Evaporating temperature in °C (to)							
	-25	-20	-15	-10	-5	0	5	10

Cooling capacity in W

30	12 166	15 729	19 657	24 067	29 079	34 811	41 381	48 909	-
35	11 142	14 564	18 317	22 517	27 282	32 730	38 980	46 150	-
40	10 114	13 397	16 977	20 969	25 491	30 659	36 592	43 405	-
45	-	12 183	15 592	19 378	23 658	28 548	34 163	40 621	-
50	-	-	14 113	17 694	21 732	26 342	31 638	37 738	-
55	-	-	-	15 865	19 656	23 981	28 953	34 686	-
60	-	-	-	-	17 364	21 390	26 021	31 368	-
65	-	-	-	-	-	18 445	22 695	27 611	-

Power input in W

30	6 314	6 437	6 534	6 628	6 747	6 915	7 157	7 501	-
35	7 006	7 128	7 216	7 295	7 392	7 531	7 739	8 040	-
40	7 780	7 906	7 990	8 060	8 140	8 256	8 433	8 698	-
45	-	8 770	8 857	8 922	8 991	9 089	9 241	9 474	-
50	-	-	9 816	9 881	9 944	10 029	10 162	10 369	-
55	-	-	-	10 938	10 999	11 077	11 195	11 381	-
60	-	-	-	-	12 157	12 232	12 341	12 511	-
65	-	-	-	-	-	13 493	13 599	13 759	-

Current consumption in A

30	13.07	13.17	13.26	13.36	13.48	13.64	13.84	14.09	-
35	13.75	13.88	13.99	14.10	14.21	14.34	14.49	14.69	-
40	14.49	14.66	14.81	14.94	15.05	15.17	15.31	15.47	-
45	-	15.54	15.73	15.89	16.03	16.16	16.29	16.43	-
50	-	-	16.77	16.99	17.16	17.31	17.45	17.59	-
55	-	-	-	18.22	18.45	18.65	18.81	18.96	-
60	-	-	-	-	19.92	20.17	20.38	20.55	-
65	-	-	-	-	-	21.90	22.16	22.38	-

Mass flow in kg/h

30	271	346	426	514	613	724	851	996	-
35	259	333	413	501	598	709	834	978	-
40	247	321	400	487	584	693	818	960	-
45	-	307	386	472	568	676	799	940	-
50	-	-	369	454	549	657	779	918	-
55	-	-	-	433	527	633	754	892	-
60	-	-	-	-	500	605	724	861	-
65	-	-	-	-	-	570	689	823	-

Coefficient of performance (C.O.P.)

30	1.93	2.44	3.01	3.63	4.31	5.03	5.78	6.52	-
35	1.59	2.04	2.54	3.09	3.69	4.35	5.04	5.74	-
40	1.30	1.69	2.12	2.60	3.13	3.71	4.34	4.99	-
45	-	1.39	1.76	2.17	2.63	3.14	3.70	4.29	-
50	-	-	1.44	1.79	2.19	2.63	3.11	3.64	-
55	-	-	-	1.45	1.79	2.17	2.59	3.05	-
60	-	-	-	-	1.43	1.75	2.11	2.51	-
65	-	-	-	-	-	1.37	1.67	2.01	-

Nominal performance at to = 5 °C, tc = 50 °C

Cooling capacity	31 638	W
Power input	10 162	W
Current consumption	17.45	A
Mass flow	779	kg/h
C.O.P.	3.11	

Pressure switch settings

Maximum HP switch setting	45	bar(g)
Minimum LP switch setting	1.5	bar(g)
LP pump down setting	2.3	bar(g)

Sound power data

Sound power level	76	dB(A)
With acoustic hood	71	dB(A)

to: Evaporating temperature at dew point

tc: Condensing temperature at dew point

Rating conditions : Superheat = 10 K , Subcooling = 0 K

All performance data +/- 5%

Danfoss can accept no responsibility for possible errors in catalogues, brochures and other printed material. Danfoss reserves the right to alter its products without notice. This also applies to products already on order provided that such alternations can be made without subsequential changes being necessary in specifications already agreed. All trademarks in this material are property of the respective companies. Danfoss and the Danfoss logotype are trademarks of Danfoss A/S. All rights reserved.

**Performance data at 60 Hz, ARI rating conditions**
**R410A**

Cond. temp. in °C (tc)	Evaporating temperature in °C (to)							
	-25	-20	-15	-10	-5	0	5	10

**Cooling capacity in W**

30	13 138	16 968	21 184	25 913	31 281	37 414	44 439	52 483	-
35	12 111	15 812	19 863	24 392	29 524	35 387	42 106	49 808	-
40	11 080	14 656	18 548	22 882	27 785	33 383	39 802	47 169	-
45	-	13 453	17 192	21 337	26 016	31 354	37 479	44 516	-
50	-	-	15 746	19 708	24 168	29 253	35 089	41 802	-
55	-	-	-	17 946	22 194	27 031	32 583	38 978	-
60	-	-	-	-	20 045	24 639	29 914	35 996	-
65	-	-	-	-	-	22 031	27 034	32 808	-

**Power input in W**

30	6 314	6 437	6 534	6 628	6 747	6 915	7 157	7 501	-
35	7 006	7 128	7 216	7 295	7 392	7 531	7 739	8 040	-
40	7 780	7 906	7 990	8 060	8 140	8 256	8 433	8 698	-
45	-	8 770	8 857	8 922	8 991	9 089	9 241	9 474	-
50	-	-	9 816	9 881	9 944	10 029	10 162	10 369	-
55	-	-	-	10 938	10 999	11 077	11 195	11 381	-
60	-	-	-	-	12 157	12 232	12 341	12 511	-
65	-	-	-	-	-	13 493	13 599	13 759	-

**Current consumption in A**

30	13.07	13.17	13.26	13.36	13.48	13.64	13.84	14.09	-
35	13.75	13.88	13.99	14.10	14.21	14.34	14.49	14.69	-
40	14.49	14.66	14.81	14.94	15.05	15.17	15.31	15.47	-
45	-	15.54	15.73	15.89	16.03	16.16	16.29	16.43	-
50	-	-	16.77	16.99	17.16	17.31	17.45	17.59	-
55	-	-	-	18.22	18.45	18.65	18.81	18.96	-
60	-	-	-	-	19.92	20.17	20.38	20.55	-
65	-	-	-	-	-	21.90	22.16	22.38	-

**Mass flow in kg/h**

30	269	344	423	511	609	719	845	989	-
35	257	331	411	497	594	704	829	971	-
40	245	319	398	484	580	689	812	953	-
45	-	305	383	469	564	672	794	933	-
50	-	-	366	451	546	652	773	911	-
55	-	-	-	430	524	629	749	885	-
60	-	-	-	-	496	601	719	855	-
65	-	-	-	-	-	566	684	818	-

**Coefficient of performance (C.O.P.)**

30	2.08	2.64	3.24	3.91	4.64	5.41	6.21	7.00	-
35	1.73	2.22	2.75	3.34	3.99	4.70	5.44	6.20	-
40	1.42	1.85	2.32	2.84	3.41	4.04	4.72	5.42	-
45	-	1.53	1.94	2.39	2.89	3.45	4.06	4.70	-
50	-	-	1.60	1.99	2.43	2.92	3.45	4.03	-
55	-	-	-	1.64	2.02	2.44	2.91	3.42	-
60	-	-	-	-	1.65	2.01	2.42	2.88	-
65	-	-	-	-	-	1.63	1.99	2.38	-

**Nominal performance at to = 7.2 °C, tc = 54.4 °C**

Cooling capacity	35 610	W
Power input	11 138	W
Current consumption	18.70	A
Mass flow	810	kg/h
C.O.P.	3.20	

**Pressure switch settings**

Maximum HP switch setting	45	bar(g)
Minimum LP switch setting	1.5	bar(g)
LP pump down setting	2.3	bar(g)

**Sound power data**

Sound power level	76	dB(A)
With acoustic hood	71	dB(A)

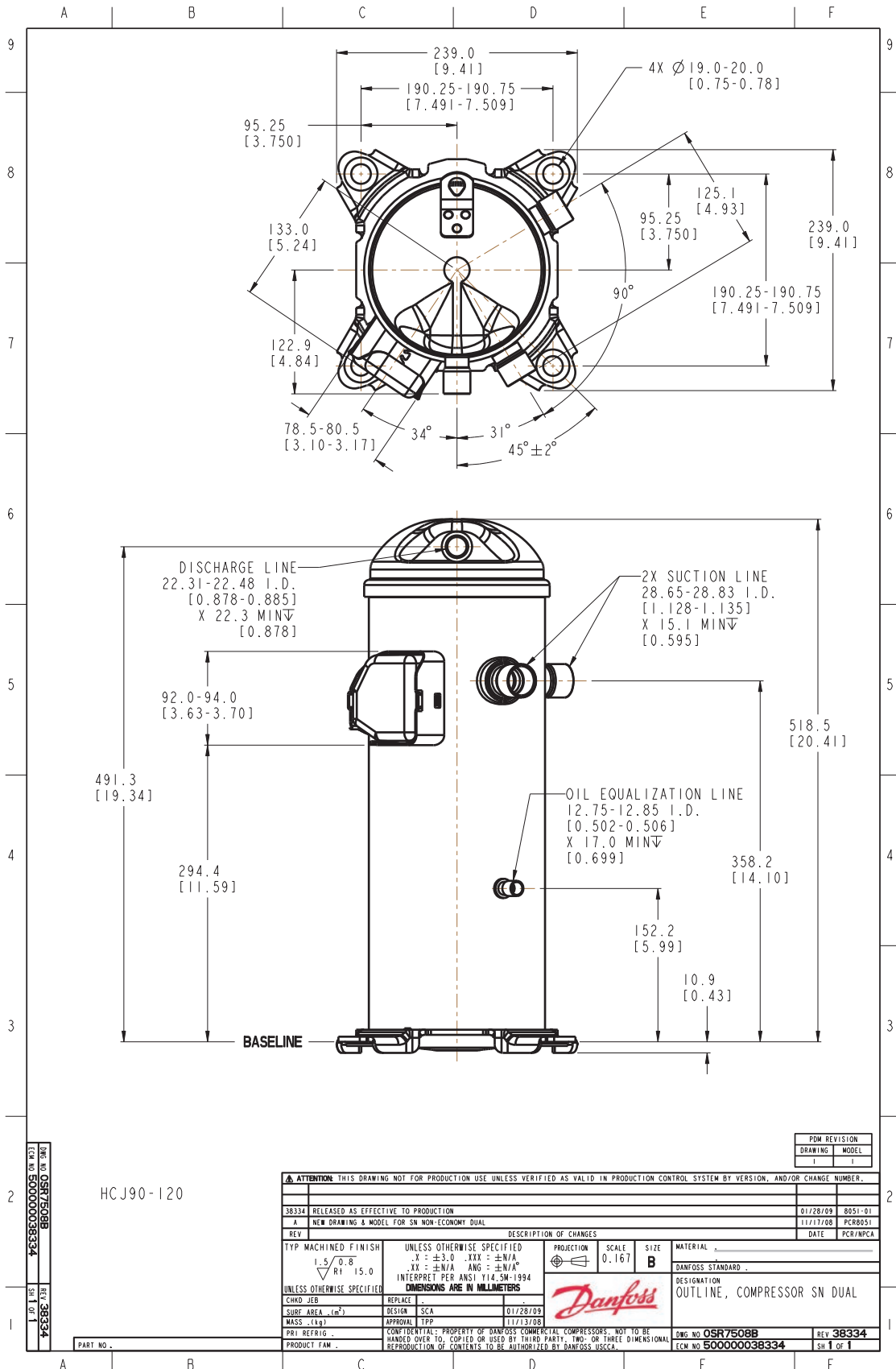
to: Evaporating temperature at dew point

tc: Condensing temperature at dew point

Rating conditions : Superheat = 11.1 K , Subcooling = 8.3 K

All performance data +/- 5%

Danfoss can accept no responsibility for possible errors in catalogues, brochures and other printed material. Danfoss reserves the right to alter its products without notice. This also applies to products already on order provided that such alternations can be made without subsequential changes being necessary in specifications already agreed. All trademarks in this material are property of the respective companies. Danfoss and the Danfoss logotype are trademarks of Danfoss A/S. All rights reserved.



Danfoss can accept no responsibility for possible errors in catalogues, brochures and other printed material. Danfoss reserves the right to alter its products without notice. This also applies to products already on order provided that such alternations can be made without consequential changes being necessary in specifications already agreed. All trademarks in this material are property of the respective companies. Danfoss, the Danfoss logotype and Maneurop are trademarks of Danfoss A/S. All rights reserved.