

Datasheets

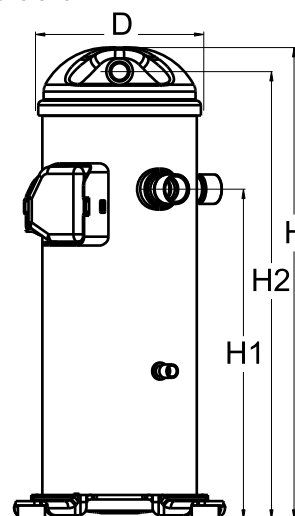
Danfoss scroll compressors **H series**



General Characteristics

Model number (on compressor nameplate)		HCP109T4LC6
Code number for Singlepack*		120U0376
Code number for Industrial pack**		120U0373
Drawing number		0SR4103B-4
Suction and discharge connections		Brazed
Suction connection		1-1/8" ODF
Discharge connection		7/8" ODF
Oil sight glass		None
Oil equalisation connection		1/2"
Oil drain connection		None
LP gauge port		None
IPR valve		None
Swept volume		148.79 cm ³ /rev
Displacement @ Nominal speed		25.9 m ³ /h @ 2900 rpm - 31.3 m ³ /h @ 3500 rpm
Net weight		45.2 kg
Oil charge		2.66 litre, PVE --
Maximum system test pressure Low Side / High side		- bar(g) / - bar(g)
Maximum differential test pressure		- bar
Maximum number of starts per hour		-
Refrigerant charge limit		7.26 kg
Approved refrigerants		R407C

Dimensions

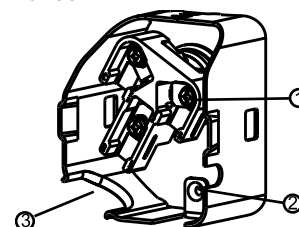


D=184 mm
H=545 mm
H1=369 mm
H2=519 mm
H3=- mm

Electrical Characteristics

Nominal voltage	380-415V/3/50Hz - 460V/3/60Hz
Voltage range	342-457 V @ 50Hz - 414-506 V @ 60Hz
Winding resistance between phases 1-2 +/- 7% at 25°C	1.326 Ω
Winding resistance between phases 1-3 +/- 7% at 25°C	1.280 Ω
Winding resistance between phases 2-3 +/- 7% at 25°C	1.290 Ω
Rated Load Amps (RLA)	16 A
Maximum Continuous Current (MCC)	24 A
Locked Rotor Amps (LRA)	110 A
Motor protection	Internal overload protector

Terminal box



IP22

- 1: Screw connectors 10-32 UNF x 9.5
- 2: Earth connection
- 3: Power cable passage

Recommended Installation torques

Oil sight glass	52.5 Nm
Power connections / Earth connection	3 Nm / 2 Nm

Parts shipped with compressor

Mounting kit with grommets and sleeves
Initial oil charge
Installation instructions

Approvals : CE certified, UL certified (file SA11565), -

*Singlepack: Compressor in cardboard box

**Industrial pack: 12 or 16 Unboxed compressors on pallet

Rotolock accessories, suction side
Code no.

Solder sleeve, P02 (1-3/4" Rotolock, 1-1/8" ODF)	8153004
Angle adapter, C02 (1-3/4" Rotolock, 1-1/8" ODF)	8168005
Rotolock valve, V02 (1-3/4" Rotolock, 1-1/8" ODF)	8168028
Gasket, 1-3/4"	8156132

Rotolock accessories, discharge side
Code no.

Rotolock valve, V05 (1-1/4" Rotolock, 7/8" ODF)	8168030
Gasket, 1-3/4"	8156132

Rotolock accessories, sets
Code no.

Solder sleeve adapter set (1-3/4" Rotolock, 1-1/8" ODF), (1-1/4" Rotolock, 7/8" ODF)	120Z0125
Valve set, V02(1"3/4~1"1/8), V05(1"1/4~7/8")	120Z0403
Gasket set, 1", 1-1/4", 1-3/4", OSG gaskets black & white	8156009

Oil / lubricants
Code no.

PVE lubricant, 320HV (FVC68D), 1 litre can	120Z5034
--	----------

Crankcase heaters
Code no.

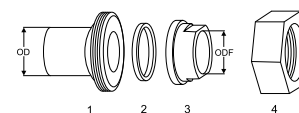
Belt type crankcase heater, 65 W, 230 V, CE mark, UL	120Z0059
Belt type crankcase heater, 65 W, 400 V, CE mark, UL	120Z0060
Belt type crankcase heater, 70 W, 240 V, CE mark, UL	120Z5040
Belt type crankcase heater, 70 W, 240 V, CE mark, UL	120Z5040

Miscellaneous accessories
Code no.

Acoustic hood	120Z5045
Discharge thermostat kit	7750009
IP54 upgrade kit	118U0057

Spare parts
Code no.

Mounting kit for 1 scroll compressor including 4 grommets, 4 sleeves, 4 bolts, 4 washers	120Z5005
Mounting kit, including 1 bolt, 1 sleeve, 1 washer	120Z5031
Terminal box cover	120Z5018

Solder sleeve adapter set


- 1: Rotolock adapter (Suc & Dis)
- 2: Gasket (Suc & Dis)
- 3: Solder sleeve (Suc & Dis)
- 4: Rotolock nut (Suc & Dis)

Performance data at 50 Hz, EN 12900 rating conditions

R407C

Cond. temp. in °C (tc)	Evaporating temperature in °C (to)							
	-30	-25	-20	-15	-10	-5	0	5

Cooling capacity in W

30	-	7 897	10 117	12 893	16 181	19 936	24 114	28 670	33 558
35	-	7 508	9 489	12 073	15 216	18 875	23 004	27 559	32 495
40	-	7 253	8 948	11 291	14 239	17 749	21 777	26 278	31 208
45	-	-	8 507	10 559	13 262	16 573	20 447	24 842	29 714
50	-	-	-	9 892	12 301	15 362	19 032	23 268	28 026
55	-	-	-	-	11 368	14 130	17 544	21 568	26 161
60	-	-	-	-	-	12 889	15 997	19 758	24 130
65	-	-	-	-	-	-	14 403	17 848	21 946

Power input in W

30	-	4 338	4 423	4 496	4 562	4 630	4 707	4 802	4 922
35	-	4 800	4 925	5 021	5 094	5 153	5 206	5 259	5 322
40	-	5 271	5 447	5 578	5 671	5 733	5 772	5 797	5 814
45	-	-	6 008	6 186	6 309	6 386	6 424	6 431	6 414
50	-	-	-	6 860	7 027	7 131	7 179	7 180	7 142
55	-	-	-	-	7 841	7 983	8 054	8 062	8 013
60	-	-	-	-	-	8 962	9 067	9 093	9 047
65	-	-	-	-	-	-	10 236	10 291	10 259

Current consumption in A

30	-	10.02	10.09	10.16	10.23	10.30	10.37	10.42	10.46
35	-	10.64	10.69	10.74	10.80	10.85	10.91	10.96	11.00
40	-	11.32	11.34	11.38	11.42	11.46	11.51	11.56	11.60
45	-	-	12.10	12.11	12.14	12.18	12.23	12.27	12.32
50	-	-	-	13.00	13.02	13.05	13.10	13.15	13.20
55	-	-	-	-	14.10	14.13	14.17	14.23	14.29
60	-	-	-	-	-	15.46	15.50	15.56	15.64
65	-	-	-	-	-	-	17.13	17.20	17.29

Mass flow in kg/h

30	-	179	224	278	342	416	501	596	704
35	-	177	222	276	339	413	497	592	698
40	-	173	218	272	336	409	493	588	694
45	-	-	212	267	331	404	488	583	689
50	-	-	-	258	323	397	482	577	683
55	-	-	-	-	312	388	473	569	676
60	-	-	-	-	-	374	461	558	666
65	-	-	-	-	-	-	446	545	654

Coefficient of performance (C.O.P.)

30	-	1.82	2.29	2.87	3.55	4.31	5.12	5.97	6.82
35	-	1.56	1.93	2.40	2.99	3.66	4.42	5.24	6.11
40	-	1.38	1.64	2.02	2.51	3.10	3.77	4.53	5.37
45	-	-	1.42	1.71	2.10	2.60	3.18	3.86	4.63
50	-	-	-	1.44	1.75	2.15	2.65	3.24	3.92
55	-	-	-	-	1.45	1.77	2.18	2.68	3.26
60	-	-	-	-	-	1.44	1.76	2.17	2.67
65	-	-	-	-	-	-	1.41	1.73	2.14

Nominal performance at to = 5 °C, tc = 50 °C

Cooling capacity	23 268	W
Power input	7 180	W
Current consumption	13.15	A
Mass flow	577	kg/h
C.O.P.	3.24	

Pressure switch settings

Maximum HP switch setting	30	bar(g)
Minimum LP switch setting	0.5	bar(g)
LP pump down setting	1	bar(g)

Sound power data

Sound power level	74	dB(A)
With acoustic hood	69	dB(A)

to: Evaporating temperature at dew point

tc: Condensing temperature at dew point

Rating conditions : Superheat = 10 K , Subcooling = 0 K

Tolerance according EN12900

Danfoss can accept no responsibility for possible errors in catalogues, brochures and other printed material. Danfoss reserves the right to alter its products without notice. This also applies to products already on order provided that such alternations can be made without subsequential changes being necessary in specifications already agreed. All trademarks in this material are property of the respective companies. Danfoss and the Danfoss logotype are trademarks of Danfoss A/S. All rights reserved.

Performance data at 50 Hz, ARI rating conditions
R407C

Cond. temp. in °C (tc)	Evaporating temperature in °C (to)							
	-30	-25	-20	-15	-10	-5	0	5

Cooling capacity in W

30	-	8 480	10 850	13 812	17 315	21 311	25 751	30 585	35 765
35	-	8 102	10 227	12 995	16 358	20 267	24 673	29 526	34 778
40	-	7 873	9 698	12 219	15 389	19 157	23 474	28 293	33 562
45	-	-	9 280	11 501	14 422	17 995	22 171	26 900	32 134
50	-	-	-	10 856	13 475	16 799	20 779	25 365	30 509
55	-	-	-	-	12 563	15 584	19 314	23 703	28 703
60	-	-	-	-	-	14 367	17 793	21 931	26 732
65	-	-	-	-	-	-	16 231	20 064	24 613

Power input in W

30	-	4 338	4 423	4 496	4 562	4 630	4 707	4 802	4 922
35	-	4 800	4 925	5 021	5 094	5 153	5 206	5 259	5 322
40	-	5 271	5 447	5 578	5 671	5 733	5 772	5 797	5 814
45	-	-	6 008	6 186	6 309	6 386	6 424	6 431	6 414
50	-	-	-	6 860	7 027	7 131	7 179	7 180	7 142
55	-	-	-	-	7 841	7 983	8 054	8 062	8 013
60	-	-	-	-	-	8 962	9 067	9 093	9 047
65	-	-	-	-	-	-	10 236	10 291	10 259

Current consumption in A

30	-	10.02	10.09	10.16	10.23	10.30	10.37	10.42	10.46
35	-	10.64	10.69	10.74	10.80	10.85	10.91	10.96	11.00
40	-	11.32	11.34	11.38	11.42	11.46	11.51	11.56	11.60
45	-	-	12.10	12.11	12.14	12.18	12.23	12.27	12.32
50	-	-	-	13.00	13.02	13.05	13.10	13.15	13.20
55	-	-	-	-	14.10	14.13	14.17	14.23	14.29
60	-	-	-	-	-	15.46	15.50	15.56	15.64
65	-	-	-	-	-	-	17.13	17.20	17.29

Mass flow in kg/h

30	-	178	223	276	340	414	498	593	700
35	-	176	221	275	338	411	494	589	694
40	-	172	217	271	334	407	490	584	689
45	-	-	211	265	329	402	485	579	685
50	-	-	-	257	321	395	479	573	679
55	-	-	-	-	310	385	470	566	672
60	-	-	-	-	-	372	459	555	662
65	-	-	-	-	-	-	443	541	650

Coefficient of performance (C.O.P.)

30	-	1.95	2.45	3.07	3.80	4.60	5.47	6.37	7.27
35	-	1.69	2.08	2.59	3.21	3.93	4.74	5.61	6.53
40	-	1.49	1.78	2.19	2.71	3.34	4.07	4.88	5.77
45	-	-	1.54	1.86	2.29	2.82	3.45	4.18	5.01
50	-	-	-	1.58	1.92	2.36	2.89	3.53	4.27
55	-	-	-	-	1.60	1.95	2.40	2.94	3.58
60	-	-	-	-	-	1.60	1.96	2.41	2.95
65	-	-	-	-	-	-	1.59	1.95	2.40

Nominal performance at to = 7.2 °C, tc = 54.4 °C

Cooling capacity	26 046	W
Power input	7 934	W
Current consumption	14.11	A
Mass flow	612	kg/h
C.O.P.	3.28	

Pressure switch settings

Maximum HP switch setting	30	bar(g)
Minimum LP switch setting	0.5	bar(g)
LP pump down setting	1	bar(g)

Sound power data

Sound power level	74	dB(A)
With acoustic hood	69	dB(A)

to: Evaporating temperature at dew point

tc: Condensing temperature at dew point

Rating conditions : Superheat = 11.1 K , Subcooling = 8.3 K

Tolerance according EN12900

Danfoss can accept no responsibility for possible errors in catalogues, brochures and other printed material. Danfoss reserves the right to alter its products without notice. This also applies to products already on order provided that such alternations can be made without subsequential changes being necessary in specifications already agreed. All trademarks in this material are property of the respective companies. Danfoss and the Danfoss logotype are trademarks of Danfoss A/S. All rights reserved.

Performance data at 50 Hz, EN 12900 rating conditions
R407C

Cond. temp. in °C (tc)	Evaporating temperature in °C (to)							
	-30	-25	-20	-15	-10	-5	0	5

Cooling capacity in W

30	-	7 897	10 117	12 893	16 181	19 936	24 114	28 670	33 558
35	-	7 508	9 489	12 073	15 216	18 875	23 004	27 559	32 495
40	-	7 253	8 948	11 291	14 239	17 749	21 777	26 278	31 208
45	-	-	8 507	10 559	13 262	16 573	20 447	24 842	29 714
50	-	-	-	9 892	12 301	15 362	19 032	23 268	28 026
55	-	-	-	-	11 368	14 130	17 544	21 568	26 161
60	-	-	-	-	-	12 889	15 997	19 758	24 130
65	-	-	-	-	-	-	14 403	17 848	21 946

Power input in W

30	-	4 338	4 423	4 496	4 562	4 630	4 707	4 802	4 922
35	-	4 800	4 925	5 021	5 094	5 153	5 206	5 259	5 322
40	-	5 271	5 447	5 578	5 671	5 733	5 772	5 797	5 814
45	-	-	6 008	6 186	6 309	6 386	6 424	6 431	6 414
50	-	-	-	6 860	7 027	7 131	7 179	7 180	7 142
55	-	-	-	-	7 841	7 983	8 054	8 062	8 013
60	-	-	-	-	-	8 962	9 067	9 093	9 047
65	-	-	-	-	-	-	10 236	10 291	10 259

Current consumption in A

30	-	10.02	10.09	10.16	10.23	10.30	10.37	10.42	10.46
35	-	10.64	10.69	10.74	10.80	10.85	10.91	10.96	11.00
40	-	11.32	11.34	11.38	11.42	11.46	11.51	11.56	11.60
45	-	-	12.10	12.11	12.14	12.18	12.23	12.27	12.32
50	-	-	-	13.00	13.02	13.05	13.10	13.15	13.20
55	-	-	-	-	14.10	14.13	14.17	14.23	14.29
60	-	-	-	-	-	15.46	15.50	15.56	15.64
65	-	-	-	-	-	-	17.13	17.20	17.29

Mass flow in kg/h

30	-	179	224	278	342	416	501	596	704
35	-	177	222	276	339	413	497	592	698
40	-	173	218	272	336	409	493	588	694
45	-	-	212	267	331	404	488	583	689
50	-	-	-	258	323	397	482	577	683
55	-	-	-	-	312	388	473	569	676
60	-	-	-	-	-	374	461	558	666
65	-	-	-	-	-	-	446	545	654

Coefficient of performance (C.O.P.)

30	-	1.82	2.29	2.87	3.55	4.31	5.12	5.97	6.82
35	-	1.56	1.93	2.40	2.99	3.66	4.42	5.24	6.11
40	-	1.38	1.64	2.02	2.51	3.10	3.77	4.53	5.37
45	-	-	1.42	1.71	2.10	2.60	3.18	3.86	4.63
50	-	-	-	1.44	1.75	2.15	2.65	3.24	3.92
55	-	-	-	-	1.45	1.77	2.18	2.68	3.26
60	-	-	-	-	-	1.44	1.76	2.17	2.67
65	-	-	-	-	-	-	1.41	1.73	2.14

Nominal performance at to = 5 °C, tc = 50 °C

Cooling capacity	23 268	W
Power input	7 180	W
Current consumption	13.15	A
Mass flow	577	kg/h
C.O.P.	3.24	

Pressure switch settings

Maximum HP switch setting	30	bar(g)
Minimum LP switch setting	0.5	bar(g)
LP pump down setting	1	bar(g)

Sound power data

Sound power level	74	dB(A)
With acoustic hood	69	dB(A)

to: Evaporating temperature at dew point

tc: Condensing temperature at dew point

Rating conditions : Superheat = 10 K , Subcooling = 0 K

Tolerance according EN12900

Danfoss can accept no responsibility for possible errors in catalogues, brochures and other printed material. Danfoss reserves the right to alter its products without notice. This also applies to products already on order provided that such alterations can be made without subsequential changes being necessary in specifications already agreed. All trademarks in this material are property of the respective companies. Danfoss and the Danfoss logotype are trademarks of Danfoss A/S. All rights reserved.

Performance data at 50 Hz, ARI rating conditions
R407C

Cond. temp. in °C (tc)	Evaporating temperature in °C (to)							
	-30	-25	-20	-15	-10	-5	0	5

Cooling capacity in W

30	-	8 480	10 850	13 812	17 315	21 311	25 751	30 585	35 765
35	-	8 102	10 227	12 995	16 358	20 267	24 673	29 526	34 778
40	-	7 873	9 698	12 219	15 389	19 157	23 474	28 293	33 562
45	-	-	9 280	11 501	14 422	17 995	22 171	26 900	32 134
50	-	-	-	10 856	13 475	16 799	20 779	25 365	30 509
55	-	-	-	-	12 563	15 584	19 314	23 703	28 703
60	-	-	-	-	-	14 367	17 793	21 931	26 732
65	-	-	-	-	-	-	16 231	20 064	24 613

Power input in W

30	-	4 338	4 423	4 496	4 562	4 630	4 707	4 802	4 922
35	-	4 800	4 925	5 021	5 094	5 153	5 206	5 259	5 322
40	-	5 271	5 447	5 578	5 671	5 733	5 772	5 797	5 814
45	-	-	6 008	6 186	6 309	6 386	6 424	6 431	6 414
50	-	-	-	6 860	7 027	7 131	7 179	7 180	7 142
55	-	-	-	-	7 841	7 983	8 054	8 062	8 013
60	-	-	-	-	-	8 962	9 067	9 093	9 047
65	-	-	-	-	-	-	10 236	10 291	10 259

Current consumption in A

30	-	10.02	10.09	10.16	10.23	10.30	10.37	10.42	10.46
35	-	10.64	10.69	10.74	10.80	10.85	10.91	10.96	11.00
40	-	11.32	11.34	11.38	11.42	11.46	11.51	11.56	11.60
45	-	-	12.10	12.11	12.14	12.18	12.23	12.27	12.32
50	-	-	-	13.00	13.02	13.05	13.10	13.15	13.20
55	-	-	-	-	14.10	14.13	14.17	14.23	14.29
60	-	-	-	-	-	15.46	15.50	15.56	15.64
65	-	-	-	-	-	-	17.13	17.20	17.29

Mass flow in kg/h

30	-	178	223	276	340	414	498	593	700
35	-	176	221	275	338	411	494	589	694
40	-	172	217	271	334	407	490	584	689
45	-	-	211	265	329	402	485	579	685
50	-	-	-	257	321	395	479	573	679
55	-	-	-	-	310	385	470	566	672
60	-	-	-	-	-	372	459	555	662
65	-	-	-	-	-	-	443	541	650

Coefficient of performance (C.O.P.)

30	-	1.95	2.45	3.07	3.80	4.60	5.47	6.37	7.27
35	-	1.69	2.08	2.59	3.21	3.93	4.74	5.61	6.53
40	-	1.49	1.78	2.19	2.71	3.34	4.07	4.88	5.77
45	-	-	1.54	1.86	2.29	2.82	3.45	4.18	5.01
50	-	-	-	1.58	1.92	2.36	2.89	3.53	4.27
55	-	-	-	-	1.60	1.95	2.40	2.94	3.58
60	-	-	-	-	-	1.60	1.96	2.41	2.95
65	-	-	-	-	-	-	1.59	1.95	2.40

Nominal performance at to = 7.2 °C, tc = 54.4 °C

Cooling capacity	26 046	W
Power input	7 934	W
Current consumption	14.11	A
Mass flow	612	kg/h
C.O.P.	3.28	

Pressure switch settings

Maximum HP switch setting	30	bar(g)
Minimum LP switch setting	0.5	bar(g)
LP pump down setting	1	bar(g)

Sound power data

Sound power level	74	dB(A)
With acoustic hood	69	dB(A)

to: Evaporating temperature at dew point

tc: Condensing temperature at dew point

Rating conditions : Superheat = 11.1 K , Subcooling = 8.3 K

Tolerance according EN12900

Danfoss can accept no responsibility for possible errors in catalogues, brochures and other printed material. Danfoss reserves the right to alter its products without notice. This also applies to products already on order provided that such alternations can be made without subsequential changes being necessary in specifications already agreed. All trademarks in this material are property of the respective companies. Danfoss and the Danfoss logotype are trademarks of Danfoss A/S. All rights reserved.

Performance data at 60 Hz, EN 12900 rating conditions

R407C

Cond. temp. in °C (tc)	Evaporating temperature in °C (to)								
	-30	-25	-20	-15	-10	-5	0	5	10

Cooling capacity in W

30	-	-	-	-	-	-	-	-	-
35	-	-	-	-	-	-	-	-	-
40	-	-	-	-	-	-	-	-	-
45	-	-	-	-	-	-	-	-	-
50	-	-	-	-	-	-	-	-	-
55	-	-	-	-	-	-	-	-	-
60	-	-	-	-	-	-	-	-	-
65	-	-	-	-	-	-	-	-	-

Power input in W

30	-	-	-	-	-	-	-	-	-
35	-	-	-	-	-	-	-	-	-
40	-	-	-	-	-	-	-	-	-
45	-	-	-	-	-	-	-	-	-
50	-	-	-	-	-	-	-	-	-
55	-	-	-	-	-	-	-	-	-
60	-	-	-	-	-	-	-	-	-
65	-	-	-	-	-	-	-	-	-

Current consumption in A

30	-	-	-	-	-	-	-	-	-
35	-	-	-	-	-	-	-	-	-
40	-	-	-	-	-	-	-	-	-
45	-	-	-	-	-	-	-	-	-
50	-	-	-	-	-	-	-	-	-
55	-	-	-	-	-	-	-	-	-
60	-	-	-	-	-	-	-	-	-
65	-	-	-	-	-	-	-	-	-

Mass flow in kg/h

30	-	-	-	-	-	-	-	-	-
35	-	-	-	-	-	-	-	-	-
40	-	-	-	-	-	-	-	-	-
45	-	-	-	-	-	-	-	-	-
50	-	-	-	-	-	-	-	-	-
55	-	-	-	-	-	-	-	-	-
60	-	-	-	-	-	-	-	-	-
65	-	-	-	-	-	-	-	-	-

Coefficient of performance (C.O.P.)

30	-	-	-	-	-	-	-	-	-
35	-	-	-	-	-	-	-	-	-
40	-	-	-	-	-	-	-	-	-
45	-	-	-	-	-	-	-	-	-
50	-	-	-	-	-	-	-	-	-
55	-	-	-	-	-	-	-	-	-
60	-	-	-	-	-	-	-	-	-
65	-	-	-	-	-	-	-	-	-

Nominal performance at to = 5 °C, tc = 50 °C

Cooling capacity	-	W
Power input	-	W
Current consumption	-	A
Mass flow	-	kg/h
C.O.P.	-	

Pressure switch settings

Maximum HP switch setting	30	bar(g)
Minimum LP switch setting	0.5	bar(g)
LP pump down setting	1	bar(g)

Sound power data

Sound power level	77	dB(A)
With accoustic hood	72	dB(A)

to: Evaporating temperature at dew point

tc: Condensing temperature at dew point

Rating conditions : Superheat = 10 K , Subcooling = 0 K

Tolerance according EN12900

Danfoss can accept no responsibility for possible errors in catalogues, brochures and other printed material. Danfoss reserves the right to alter its products without notice. This also applies to products already on order provided that such alternations can be made without subsequential changes being necessary in specifications already agreed. All trademarks in this material are property of the respective companies. Danfoss and the Danfoss logotype are trademarks of Danfoss A/S. All rights reserved.

Performance data at 60 Hz, ARI rating conditions

R407C

Cond. temp. in °C (tc)	Evaporating temperature in °C (to)							
	-30	-25	-20	-15	-10	-5	0	5

Cooling capacity in W

30	-	-	-	-	-	-	-	-	-
35	-	-	-	-	-	-	-	-	-
40	-	-	-	-	-	-	-	-	-
45	-	-	-	-	-	-	-	-	-
50	-	-	-	-	-	-	-	-	-
55	-	-	-	-	-	-	-	-	-
60	-	-	-	-	-	-	-	-	-
65	-	-	-	-	-	-	-	-	-

Power input in W

30	-	-	-	-	-	-	-	-	-
35	-	-	-	-	-	-	-	-	-
40	-	-	-	-	-	-	-	-	-
45	-	-	-	-	-	-	-	-	-
50	-	-	-	-	-	-	-	-	-
55	-	-	-	-	-	-	-	-	-
60	-	-	-	-	-	-	-	-	-
65	-	-	-	-	-	-	-	-	-

Current consumption in A

30	-	-	-	-	-	-	-	-	-
35	-	-	-	-	-	-	-	-	-
40	-	-	-	-	-	-	-	-	-
45	-	-	-	-	-	-	-	-	-
50	-	-	-	-	-	-	-	-	-
55	-	-	-	-	-	-	-	-	-
60	-	-	-	-	-	-	-	-	-
65	-	-	-	-	-	-	-	-	-

Mass flow in kg/h

30	-	-	-	-	-	-	-	-	-
35	-	-	-	-	-	-	-	-	-
40	-	-	-	-	-	-	-	-	-
45	-	-	-	-	-	-	-	-	-
50	-	-	-	-	-	-	-	-	-
55	-	-	-	-	-	-	-	-	-
60	-	-	-	-	-	-	-	-	-
65	-	-	-	-	-	-	-	-	-

Coefficient of performance (C.O.P.)

30	-	-	-	-	-	-	-	-	-
35	-	-	-	-	-	-	-	-	-
40	-	-	-	-	-	-	-	-	-
45	-	-	-	-	-	-	-	-	-
50	-	-	-	-	-	-	-	-	-
55	-	-	-	-	-	-	-	-	-
60	-	-	-	-	-	-	-	-	-
65	-	-	-	-	-	-	-	-	-

Nominal performance at to = 7.2 °C, tc = 54.4 °C

Cooling capacity	-	W
Power input	-	W
Current consumption	-	A
Mass flow	-	kg/h
C.O.P.	-	

Pressure switch settings

Maximum HP switch setting	30	bar(g)
Minimum LP switch setting	0.5	bar(g)
LP pump down setting	1	bar(g)

Sound power data

Sound power level	77	dB(A)
With accoustic hood	72	dB(A)

to: Evaporating temperature at dew point

tc: Condensing temperature at dew point

Rating conditions : Superheat = 11.1 K , Subcooling = 8.3 K

Tolerance according EN12900

Danfoss can accept no responsibility for possible errors in catalogues, brochures and other printed material. Danfoss reserves the right to alter its products without notice. This also applies to products already on order provided that such alternations can be made without subsequential changes being necessary in specifications already agreed. All trademarks in this material are property of the respective companies. Danfoss and the Danfoss logotype are trademarks of Danfoss A/S. All rights reserved.

Performance data at 60 Hz, EN 12900 rating conditions

R407C

Cond. temp. in °C (tc)	Evaporating temperature in °C (to)								
	-30	-25	-20	-15	-10	-5	0	5	10

Cooling capacity in W

30	-	-	-	-	-	-	-	-	-
35	-	-	-	-	-	-	-	-	-
40	-	-	-	-	-	-	-	-	-
45	-	-	-	-	-	-	-	-	-
50	-	-	-	-	-	-	-	-	-
55	-	-	-	-	-	-	-	-	-
60	-	-	-	-	-	-	-	-	-
65	-	-	-	-	-	-	-	-	-

Power input in W

30	-	-	-	-	-	-	-	-	-
35	-	-	-	-	-	-	-	-	-
40	-	-	-	-	-	-	-	-	-
45	-	-	-	-	-	-	-	-	-
50	-	-	-	-	-	-	-	-	-
55	-	-	-	-	-	-	-	-	-
60	-	-	-	-	-	-	-	-	-
65	-	-	-	-	-	-	-	-	-

Current consumption in A

30	-	-	-	-	-	-	-	-	-
35	-	-	-	-	-	-	-	-	-
40	-	-	-	-	-	-	-	-	-
45	-	-	-	-	-	-	-	-	-
50	-	-	-	-	-	-	-	-	-
55	-	-	-	-	-	-	-	-	-
60	-	-	-	-	-	-	-	-	-
65	-	-	-	-	-	-	-	-	-

Mass flow in kg/h

30	-	-	-	-	-	-	-	-	-
35	-	-	-	-	-	-	-	-	-
40	-	-	-	-	-	-	-	-	-
45	-	-	-	-	-	-	-	-	-
50	-	-	-	-	-	-	-	-	-
55	-	-	-	-	-	-	-	-	-
60	-	-	-	-	-	-	-	-	-
65	-	-	-	-	-	-	-	-	-

Coefficient of performance (C.O.P.)

30	-	-	-	-	-	-	-	-	-
35	-	-	-	-	-	-	-	-	-
40	-	-	-	-	-	-	-	-	-
45	-	-	-	-	-	-	-	-	-
50	-	-	-	-	-	-	-	-	-
55	-	-	-	-	-	-	-	-	-
60	-	-	-	-	-	-	-	-	-
65	-	-	-	-	-	-	-	-	-

Nominal performance at to = 5 °C, tc = 50 °C

Cooling capacity	-	W
Power input	-	W
Current consumption	-	A
Mass flow	-	kg/h
C.O.P.	-	

Pressure switch settings

Maximum HP switch setting	30	bar(g)
Minimum LP switch setting	0.5	bar(g)
LP pump down setting	1	bar(g)

Sound power data

Sound power level	77	dB(A)
With accoustic hood	72	dB(A)

to: Evaporating temperature at dew point

tc: Condensing temperature at dew point

Rating conditions : Superheat = 10 K , Subcooling = 0 K

Tolerance according EN12900

Danfoss can accept no responsibility for possible errors in catalogues, brochures and other printed material. Danfoss reserves the right to alter its products without notice. This also applies to products already on order provided that such alternations can be made without subsequential changes being necessary in specifications already agreed. All trademarks in this material are property of the respective companies. Danfoss and the Danfoss logotype are trademarks of Danfoss A/S. All rights reserved.

Performance data at 60 Hz, ARI rating conditions

R407C

Cond. temp. in °C (tc)	Evaporating temperature in °C (to)							
	-30	-25	-20	-15	-10	-5	0	5

Cooling capacity in W

30	-	-	-	-	-	-	-	-	-
35	-	-	-	-	-	-	-	-	-
40	-	-	-	-	-	-	-	-	-
45	-	-	-	-	-	-	-	-	-
50	-	-	-	-	-	-	-	-	-
55	-	-	-	-	-	-	-	-	-
60	-	-	-	-	-	-	-	-	-
65	-	-	-	-	-	-	-	-	-

Power input in W

30	-	-	-	-	-	-	-	-	-
35	-	-	-	-	-	-	-	-	-
40	-	-	-	-	-	-	-	-	-
45	-	-	-	-	-	-	-	-	-
50	-	-	-	-	-	-	-	-	-
55	-	-	-	-	-	-	-	-	-
60	-	-	-	-	-	-	-	-	-
65	-	-	-	-	-	-	-	-	-

Current consumption in A

30	-	-	-	-	-	-	-	-	-
35	-	-	-	-	-	-	-	-	-
40	-	-	-	-	-	-	-	-	-
45	-	-	-	-	-	-	-	-	-
50	-	-	-	-	-	-	-	-	-
55	-	-	-	-	-	-	-	-	-
60	-	-	-	-	-	-	-	-	-
65	-	-	-	-	-	-	-	-	-

Mass flow in kg/h

30	-	-	-	-	-	-	-	-	-
35	-	-	-	-	-	-	-	-	-
40	-	-	-	-	-	-	-	-	-
45	-	-	-	-	-	-	-	-	-
50	-	-	-	-	-	-	-	-	-
55	-	-	-	-	-	-	-	-	-
60	-	-	-	-	-	-	-	-	-
65	-	-	-	-	-	-	-	-	-

Coefficient of performance (C.O.P.)

30	-	-	-	-	-	-	-	-	-
35	-	-	-	-	-	-	-	-	-
40	-	-	-	-	-	-	-	-	-
45	-	-	-	-	-	-	-	-	-
50	-	-	-	-	-	-	-	-	-
55	-	-	-	-	-	-	-	-	-
60	-	-	-	-	-	-	-	-	-
65	-	-	-	-	-	-	-	-	-

Nominal performance at to = 7.2 °C, tc = 54.4 °C

Cooling capacity	-	W
Power input	-	W
Current consumption	-	A
Mass flow	-	kg/h
C.O.P.	-	

Pressure switch settings

Maximum HP switch setting	30	bar(g)
Minimum LP switch setting	0.5	bar(g)
LP pump down setting	1	bar(g)

Sound power data

Sound power level	77	dB(A)
With accoustic hood	72	dB(A)

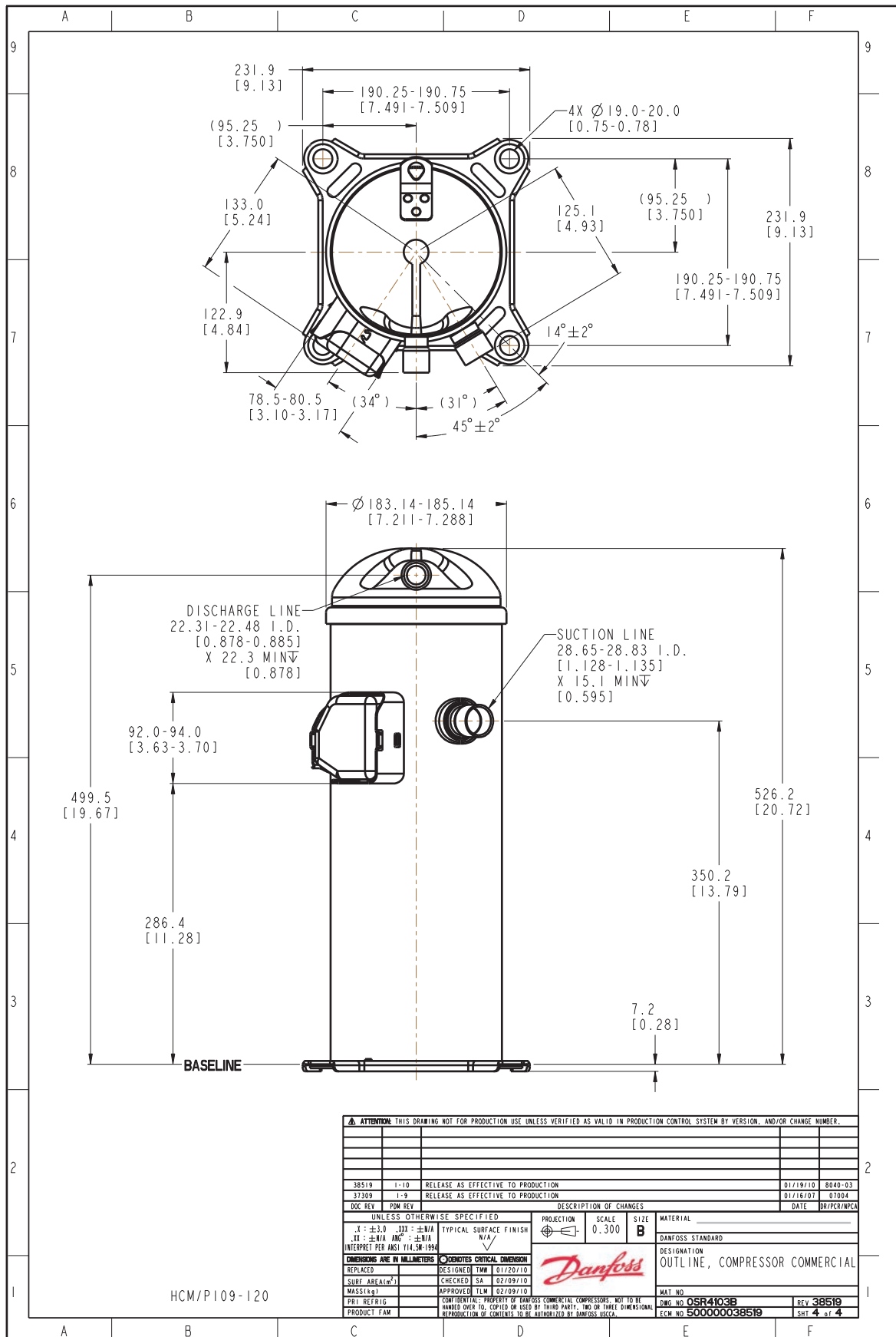
to: Evaporating temperature at dew point

tc: Condensing temperature at dew point

Rating conditions : Superheat = 11.1 K , Subcooling = 8.3 K

Tolerance according EN12900

Danfoss can accept no responsibility for possible errors in catalogues, brochures and other printed material. Danfoss reserves the right to alter its products without notice. This also applies to products already on order provided that such alternations can be made without subsequential changes being necessary in specifications already agreed. All trademarks in this material are property of the respective companies. Danfoss and the Danfoss logotype are trademarks of Danfoss A/S. All rights reserved.

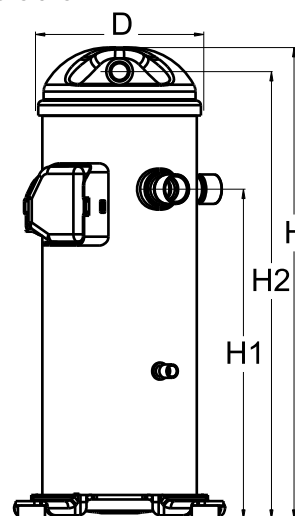


Danfoss can accept no responsibility for possible errors in catalogues, brochures and other printed material. Danfoss reserves the right to alter its products without notice. This also applies to products already on order provided that such alternations can be made without subsequential changes being necessary in specifications already agreed. All trademarks in this material are property of the respective companies. Danfoss, the Danfoss logotype and Maneurop are trademarks of Danfoss A/S. All rights reserved.

General Characteristics

Model number (on compressor nameplate)		HCP109T4LC7
Code number for Singlepack*		120U0381
Code number for Industrial pack**		120U0378
Drawing number		0SR4103B-4
Suction and discharge connections		Brazed
Suction connection		1-1/8" ODF
Discharge connection		7/8" ODF
Oil sight glass		None
Oil equalisation connection		1/2"
Oil drain connection		None
LP gauge port		None
IPR valve		None
Swept volume		148.79 cm ³ /rev
Displacement @ Nominal speed		25.9 m ³ /h @ 2900 rpm - 31.3 m ³ /h @ 3500 rpm
Net weight		45.2 kg
Oil charge		2.66 litre, PVE --
Maximum system test pressure Low Side / High side		- bar(g) / - bar(g)
Maximum differential test pressure		- bar
Maximum number of starts per hour		-
Refrigerant charge limit		7.26 kg
Approved refrigerants		R407C

Dimensions

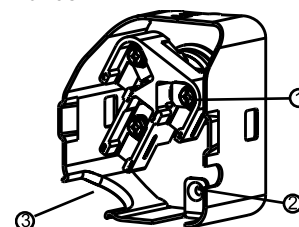


D=184 mm
H=545 mm
H1=369 mm
H2=519 mm
H3=- mm

Electrical Characteristics

Nominal voltage	380-415V/3/50Hz - 460V/3/60Hz
Voltage range	342-457 V @ 50Hz - 414-506 V @ 60Hz
Winding resistance between phases 1-2 +/- 7% at 25°C	1.326 Ω
Winding resistance between phases 1-3 +/- 7% at 25°C	1.280 Ω
Winding resistance between phases 2-3 +/- 7% at 25°C	1.290 Ω
Rated Load Amps (RLA)	16 A
Maximum Continuous Current (MCC)	24 A
Locked Rotor Amps (LRA)	110 A
Motor protection	Internal overload protector

Terminal box



IP22

- 1: Screw connectors 10-32 UNF x 9.5
- 2: Earth connection
- 3: Power cable passage

Recommended Installation torques

Oil sight glass	52.5 Nm
Power connections / Earth connection	3 Nm / 2 Nm

Parts shipped with compressor

Mounting kit with grommets and sleeves
Initial oil charge
Installation instructions

Approvals : CE certified, UL certified (file SA11565), -

*Singlepack: Compressor in cardboard box

**Industrial pack: 12 or 16 Unboxed compressors on pallet

Rotolock accessories, suction side
Code no.

Solder sleeve, P02 (1-3/4" Rotolock, 1-1/8" ODF)	8153004
Angle adapter, C02 (1-3/4" Rotolock, 1-1/8" ODF)	8168005
Rotolock valve, V02 (1-3/4" Rotolock, 1-1/8" ODF)	8168028
Gasket, 1-3/4"	8156132

Rotolock accessories, discharge side
Code no.

Rotolock valve, V05 (1-1/4" Rotolock, 7/8" ODF)	8168030
Gasket, 1-3/4"	8156132

Rotolock accessories, sets
Code no.

Solder sleeve adapter set (1-3/4" Rotolock, 1-1/8" ODF), (1-1/4" Rotolock, 7/8" ODF)	120Z0125
Valve set, V02(1"3/4~1"1/8), V05(1"1/4~7/8")	120Z0403
Gasket set, 1", 1-1/4", 1-3/4", OSG gaskets black & white	8156009

Oil / lubricants
Code no.

PVE lubricant, 320HV (FVC68D), 1 litre can	120Z5034
--	----------

Crankcase heaters
Code no.

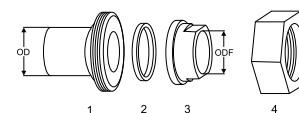
Belt type crankcase heater, 65 W, 230 V, CE mark, UL	120Z0059
Belt type crankcase heater, 65 W, 400 V, CE mark, UL	120Z0060
Belt type crankcase heater, 70 W, 240 V, CE mark, UL	120Z5040
Belt type crankcase heater, 70 W, 240 V, CE mark, UL	120Z5040

Miscellaneous accessories
Code no.

Acoustic hood	120Z5045
Discharge thermostat kit	7750009
IP54 upgrade kit	118U0057

Spare parts
Code no.

Mounting kit for 1 scroll compressor including 4 grommets, 4 sleeves, 4 bolts, 4 washers	120Z5005
Mounting kit, including 1 bolt, 1 sleeve, 1 washer	120Z5031
Terminal box cover	120Z5018

Solder sleeve adapter set


- 1: Rotolock adapter (Suc & Dis)
- 2: Gasket (Suc & Dis)
- 3: Solder sleeve (Suc & Dis)
- 4: Rotolock nut (Suc & Dis)

Performance data at 50 Hz, EN 12900 rating conditions

R407C

Cond. temp. in °C (tc)	Evaporating temperature in °C (to)							
	-30	-25	-20	-15	-10	-5	0	5

Cooling capacity in W

30	-	7 897	10 117	12 893	16 181	19 936	24 114	28 670	33 558
35	-	7 508	9 489	12 073	15 216	18 875	23 004	27 559	32 495
40	-	7 253	8 948	11 291	14 239	17 749	21 777	26 278	31 208
45	-	-	8 507	10 559	13 262	16 573	20 447	24 842	29 714
50	-	-	-	9 892	12 301	15 362	19 032	23 268	28 026
55	-	-	-	-	11 368	14 130	17 544	21 568	26 161
60	-	-	-	-	-	12 889	15 997	19 758	24 130
65	-	-	-	-	-	-	14 403	17 848	21 946

Power input in W

30	-	4 338	4 423	4 496	4 562	4 630	4 707	4 802	4 922
35	-	4 800	4 925	5 021	5 094	5 153	5 206	5 259	5 322
40	-	5 271	5 447	5 578	5 671	5 733	5 772	5 797	5 814
45	-	-	6 008	6 186	6 309	6 386	6 424	6 431	6 414
50	-	-	-	6 860	7 027	7 131	7 179	7 180	7 142
55	-	-	-	-	7 841	7 983	8 054	8 062	8 013
60	-	-	-	-	-	8 962	9 067	9 093	9 047
65	-	-	-	-	-	-	10 236	10 291	10 259

Current consumption in A

30	-	10.02	10.09	10.16	10.23	10.30	10.37	10.42	10.46
35	-	10.64	10.69	10.74	10.80	10.85	10.91	10.96	11.00
40	-	11.32	11.34	11.38	11.42	11.46	11.51	11.56	11.60
45	-	-	12.10	12.11	12.14	12.18	12.23	12.27	12.32
50	-	-	-	13.00	13.02	13.05	13.10	13.15	13.20
55	-	-	-	-	14.10	14.13	14.17	14.23	14.29
60	-	-	-	-	-	15.46	15.50	15.56	15.64
65	-	-	-	-	-	-	17.13	17.20	17.29

Mass flow in kg/h

30	-	179	224	278	342	416	501	596	704
35	-	177	222	276	339	413	497	592	698
40	-	173	218	272	336	409	493	588	694
45	-	-	212	267	331	404	488	583	689
50	-	-	-	258	323	397	482	577	683
55	-	-	-	-	312	388	473	569	676
60	-	-	-	-	-	374	461	558	666
65	-	-	-	-	-	-	446	545	654

Coefficient of performance (C.O.P.)

30	-	1.82	2.29	2.87	3.55	4.31	5.12	5.97	6.82
35	-	1.56	1.93	2.40	2.99	3.66	4.42	5.24	6.11
40	-	1.38	1.64	2.02	2.51	3.10	3.77	4.53	5.37
45	-	-	1.42	1.71	2.10	2.60	3.18	3.86	4.63
50	-	-	-	1.44	1.75	2.15	2.65	3.24	3.92
55	-	-	-	-	1.45	1.77	2.18	2.68	3.26
60	-	-	-	-	-	1.44	1.76	2.17	2.67
65	-	-	-	-	-	-	1.41	1.73	2.14

Nominal performance at to = 5 °C, tc = 50 °C

Cooling capacity	23 268	W
Power input	7 180	W
Current consumption	13.15	A
Mass flow	577	kg/h
C.O.P.	3.24	

Pressure switch settings

Maximum HP switch setting	30	bar(g)
Minimum LP switch setting	0.5	bar(g)
LP pump down setting	1	bar(g)

Sound power data

Sound power level	74	dB(A)
With acoustic hood	69	dB(A)

to: Evaporating temperature at dew point

tc: Condensing temperature at dew point

Rating conditions : Superheat = 10 K, Subcooling = 0 K

Tolerance according EN12900

Danfoss can accept no responsibility for possible errors in catalogues, brochures and other printed material. Danfoss reserves the right to alter its products without notice. This also applies to products already on order provided that such alternations can be made without subsequential changes being necessary in specifications already agreed. All trademarks in this material are property of the respective companies. Danfoss and the Danfoss logotype are trademarks of Danfoss A/S. All rights reserved.

Performance data at 50 Hz, ARI rating conditions

R407C

Cond. temp. in °C (tc)	Evaporating temperature in °C (to)							
	-30	-25	-20	-15	-10	-5	0	5

Cooling capacity in W

30	-	8 480	10 850	13 812	17 315	21 311	25 751	30 585	35 765
35	-	8 102	10 227	12 995	16 358	20 267	24 673	29 526	34 778
40	-	7 873	9 698	12 219	15 389	19 157	23 474	28 293	33 562
45	-	-	9 280	11 501	14 422	17 995	22 171	26 900	32 134
50	-	-	-	10 856	13 475	16 799	20 779	25 365	30 509
55	-	-	-	-	12 563	15 584	19 314	23 703	28 703
60	-	-	-	-	-	14 367	17 793	21 931	26 732
65	-	-	-	-	-	-	16 231	20 064	24 613

Power input in W

30	-	4 338	4 423	4 496	4 562	4 630	4 707	4 802	4 922
35	-	4 800	4 925	5 021	5 094	5 153	5 206	5 259	5 322
40	-	5 271	5 447	5 578	5 671	5 733	5 772	5 797	5 814
45	-	-	6 008	6 186	6 309	6 386	6 424	6 431	6 414
50	-	-	-	6 860	7 027	7 131	7 179	7 180	7 142
55	-	-	-	-	7 841	7 983	8 054	8 062	8 013
60	-	-	-	-	-	8 962	9 067	9 093	9 047
65	-	-	-	-	-	-	10 236	10 291	10 259

Current consumption in A

30	-	10.02	10.09	10.16	10.23	10.30	10.37	10.42	10.46
35	-	10.64	10.69	10.74	10.80	10.85	10.91	10.96	11.00
40	-	11.32	11.34	11.38	11.42	11.46	11.51	11.56	11.60
45	-	-	12.10	12.11	12.14	12.18	12.23	12.27	12.32
50	-	-	-	13.00	13.02	13.05	13.10	13.15	13.20
55	-	-	-	-	14.10	14.13	14.17	14.23	14.29
60	-	-	-	-	-	15.46	15.50	15.56	15.64
65	-	-	-	-	-	-	17.13	17.20	17.29

Mass flow in kg/h

30	-	178	223	276	340	414	498	593	700
35	-	176	221	275	338	411	494	589	694
40	-	172	217	271	334	407	490	584	689
45	-	-	211	265	329	402	485	579	685
50	-	-	-	257	321	395	479	573	679
55	-	-	-	-	310	385	470	566	672
60	-	-	-	-	-	372	459	555	662
65	-	-	-	-	-	-	443	541	650

Coefficient of performance (C.O.P.)

30	-	1.95	2.45	3.07	3.80	4.60	5.47	6.37	7.27
35	-	1.69	2.08	2.59	3.21	3.93	4.74	5.61	6.53
40	-	1.49	1.78	2.19	2.71	3.34	4.07	4.88	5.77
45	-	-	1.54	1.86	2.29	2.82	3.45	4.18	5.01
50	-	-	-	1.58	1.92	2.36	2.89	3.53	4.27
55	-	-	-	-	1.60	1.95	2.40	2.94	3.58
60	-	-	-	-	-	1.60	1.96	2.41	2.95
65	-	-	-	-	-	-	1.59	1.95	2.40

Nominal performance at to = 7.2 °C, tc = 54.4 °C

Cooling capacity	26 046	W
Power input	7 934	W
Current consumption	14.11	A
Mass flow	612	kg/h
C.O.P.	3.28	

Pressure switch settings

Maximum HP switch setting	30	bar(g)
Minimum LP switch setting	0.5	bar(g)
LP pump down setting	1	bar(g)

Sound power data

Sound power level	74	dB(A)
With acoustic hood	69	dB(A)

to: Evaporating temperature at dew point

tc: Condensing temperature at dew point

Rating conditions : Superheat = 11.1 K , Subcooling = 8.3 K

Tolerance according EN12900

Danfoss can accept no responsibility for possible errors in catalogues, brochures and other printed material. Danfoss reserves the right to alter its products without notice. This also applies to products already on order provided that such alternations can be made without subsequential changes being necessary in specifications already agreed. All trademarks in this material are property of the respective companies. Danfoss and the Danfoss logotype are trademarks of Danfoss A/S. All rights reserved.

Performance data at 50 Hz, EN 12900 rating conditions

R407C

Cond. temp. in °C (tc)	Evaporating temperature in °C (to)							
	-30	-25	-20	-15	-10	-5	0	5

Cooling capacity in W

30	-	7 897	10 117	12 893	16 181	19 936	24 114	28 670	33 558
35	-	7 508	9 489	12 073	15 216	18 875	23 004	27 559	32 495
40	-	7 253	8 948	11 291	14 239	17 749	21 777	26 278	31 208
45	-	-	8 507	10 559	13 262	16 573	20 447	24 842	29 714
50	-	-	-	9 892	12 301	15 362	19 032	23 268	28 026
55	-	-	-	-	11 368	14 130	17 544	21 568	26 161
60	-	-	-	-	-	12 889	15 997	19 758	24 130
65	-	-	-	-	-	-	14 403	17 848	21 946

Power input in W

30	-	4 338	4 423	4 496	4 562	4 630	4 707	4 802	4 922
35	-	4 800	4 925	5 021	5 094	5 153	5 206	5 259	5 322
40	-	5 271	5 447	5 578	5 671	5 733	5 772	5 797	5 814
45	-	-	6 008	6 186	6 309	6 386	6 424	6 431	6 414
50	-	-	-	6 860	7 027	7 131	7 179	7 180	7 142
55	-	-	-	-	7 841	7 983	8 054	8 062	8 013
60	-	-	-	-	-	8 962	9 067	9 093	9 047
65	-	-	-	-	-	-	10 236	10 291	10 259

Current consumption in A

30	-	10.02	10.09	10.16	10.23	10.30	10.37	10.42	10.46
35	-	10.64	10.69	10.74	10.80	10.85	10.91	10.96	11.00
40	-	11.32	11.34	11.38	11.42	11.46	11.51	11.56	11.60
45	-	-	12.10	12.11	12.14	12.18	12.23	12.27	12.32
50	-	-	-	13.00	13.02	13.05	13.10	13.15	13.20
55	-	-	-	-	14.10	14.13	14.17	14.23	14.29
60	-	-	-	-	-	15.46	15.50	15.56	15.64
65	-	-	-	-	-	-	17.13	17.20	17.29

Mass flow in kg/h

30	-	179	224	278	342	416	501	596	704
35	-	177	222	276	339	413	497	592	698
40	-	173	218	272	336	409	493	588	694
45	-	-	212	267	331	404	488	583	689
50	-	-	-	258	323	397	482	577	683
55	-	-	-	-	312	388	473	569	676
60	-	-	-	-	-	374	461	558	666
65	-	-	-	-	-	-	446	545	654

Coefficient of performance (C.O.P.)

30	-	1.82	2.29	2.87	3.55	4.31	5.12	5.97	6.82
35	-	1.56	1.93	2.40	2.99	3.66	4.42	5.24	6.11
40	-	1.38	1.64	2.02	2.51	3.10	3.77	4.53	5.37
45	-	-	1.42	1.71	2.10	2.60	3.18	3.86	4.63
50	-	-	-	1.44	1.75	2.15	2.65	3.24	3.92
55	-	-	-	-	1.45	1.77	2.18	2.68	3.26
60	-	-	-	-	-	1.44	1.76	2.17	2.67
65	-	-	-	-	-	-	1.41	1.73	2.14

Nominal performance at to = 5 °C, tc = 50 °C

Cooling capacity	23 268	W
Power input	7 180	W
Current consumption	13.15	A
Mass flow	577	kg/h
C.O.P.	3.24	

Pressure switch settings

Maximum HP switch setting	30	bar(g)
Minimum LP switch setting	0.5	bar(g)
LP pump down setting	1	bar(g)

Sound power data

Sound power level	74	dB(A)
With acoustic hood	69	dB(A)

to: Evaporating temperature at dew point

tc: Condensing temperature at dew point

Rating conditions : Superheat = 10 K, Subcooling = 0 K

Tolerance according EN12900

Danfoss can accept no responsibility for possible errors in catalogues, brochures and other printed material. Danfoss reserves the right to alter its products without notice. This also applies to products already on order provided that such alternations can be made without subsequential changes being necessary in specifications already agreed. All trademarks in this material are property of the respective companies. Danfoss and the Danfoss logotype are trademarks of Danfoss A/S. All rights reserved.

Performance data at 50 Hz, ARI rating conditions
R407C

Cond. temp. in °C (tc)	Evaporating temperature in °C (to)							
	-30	-25	-20	-15	-10	-5	0	5

Cooling capacity in W

30	-	8 480	10 850	13 812	17 315	21 311	25 751	30 585	35 765
35	-	8 102	10 227	12 995	16 358	20 267	24 673	29 526	34 778
40	-	7 873	9 698	12 219	15 389	19 157	23 474	28 293	33 562
45	-	-	9 280	11 501	14 422	17 995	22 171	26 900	32 134
50	-	-	-	10 856	13 475	16 799	20 779	25 365	30 509
55	-	-	-	-	12 563	15 584	19 314	23 703	28 703
60	-	-	-	-	-	14 367	17 793	21 931	26 732
65	-	-	-	-	-	-	16 231	20 064	24 613

Power input in W

30	-	4 338	4 423	4 496	4 562	4 630	4 707	4 802	4 922
35	-	4 800	4 925	5 021	5 094	5 153	5 206	5 259	5 322
40	-	5 271	5 447	5 578	5 671	5 733	5 772	5 797	5 814
45	-	-	6 008	6 186	6 309	6 386	6 424	6 431	6 414
50	-	-	-	6 860	7 027	7 131	7 179	7 180	7 142
55	-	-	-	-	7 841	7 983	8 054	8 062	8 013
60	-	-	-	-	-	8 962	9 067	9 093	9 047
65	-	-	-	-	-	-	10 236	10 291	10 259

Current consumption in A

30	-	10.02	10.09	10.16	10.23	10.30	10.37	10.42	10.46
35	-	10.64	10.69	10.74	10.80	10.85	10.91	10.96	11.00
40	-	11.32	11.34	11.38	11.42	11.46	11.51	11.56	11.60
45	-	-	12.10	12.11	12.14	12.18	12.23	12.27	12.32
50	-	-	-	13.00	13.02	13.05	13.10	13.15	13.20
55	-	-	-	-	14.10	14.13	14.17	14.23	14.29
60	-	-	-	-	-	15.46	15.50	15.56	15.64
65	-	-	-	-	-	-	17.13	17.20	17.29

Mass flow in kg/h

30	-	178	223	276	340	414	498	593	700
35	-	176	221	275	338	411	494	589	694
40	-	172	217	271	334	407	490	584	689
45	-	-	211	265	329	402	485	579	685
50	-	-	-	257	321	395	479	573	679
55	-	-	-	-	310	385	470	566	672
60	-	-	-	-	-	372	459	555	662
65	-	-	-	-	-	-	443	541	650

Coefficient of performance (C.O.P.)

30	-	1.95	2.45	3.07	3.80	4.60	5.47	6.37	7.27
35	-	1.69	2.08	2.59	3.21	3.93	4.74	5.61	6.53
40	-	1.49	1.78	2.19	2.71	3.34	4.07	4.88	5.77
45	-	-	1.54	1.86	2.29	2.82	3.45	4.18	5.01
50	-	-	-	1.58	1.92	2.36	2.89	3.53	4.27
55	-	-	-	-	1.60	1.95	2.40	2.94	3.58
60	-	-	-	-	-	1.60	1.96	2.41	2.95
65	-	-	-	-	-	-	1.59	1.95	2.40

Nominal performance at to = 7.2 °C, tc = 54.4 °C

Cooling capacity	26 046	W
Power input	7 934	W
Current consumption	14.11	A
Mass flow	612	kg/h
C.O.P.	3.28	

Pressure switch settings

Maximum HP switch setting	30	bar(g)
Minimum LP switch setting	0.5	bar(g)
LP pump down setting	1	bar(g)

Sound power data

Sound power level	74	dB(A)
With acoustic hood	69	dB(A)

to: Evaporating temperature at dew point

tc: Condensing temperature at dew point

Rating conditions : Superheat = 11.1 K , Subcooling = 8.3 K

Tolerance according EN12900

Danfoss can accept no responsibility for possible errors in catalogues, brochures and other printed material. Danfoss reserves the right to alter its products without notice. This also applies to products already on order provided that such alternations can be made without subsequential changes being necessary in specifications already agreed. All trademarks in this material are property of the respective companies. Danfoss and the Danfoss logotype are trademarks of Danfoss A/S. All rights reserved.

Performance data at 60 Hz, EN 12900 rating conditions

R407C

Cond. temp. in °C (tc)	Evaporating temperature in °C (to)								
	-30	-25	-20	-15	-10	-5	0	5	10

Cooling capacity in W

30	-	-	-	-	-	-	-	-	-
35	-	-	-	-	-	-	-	-	-
40	-	-	-	-	-	-	-	-	-
45	-	-	-	-	-	-	-	-	-
50	-	-	-	-	-	-	-	-	-
55	-	-	-	-	-	-	-	-	-
60	-	-	-	-	-	-	-	-	-
65	-	-	-	-	-	-	-	-	-

Power input in W

30	-	-	-	-	-	-	-	-	-
35	-	-	-	-	-	-	-	-	-
40	-	-	-	-	-	-	-	-	-
45	-	-	-	-	-	-	-	-	-
50	-	-	-	-	-	-	-	-	-
55	-	-	-	-	-	-	-	-	-
60	-	-	-	-	-	-	-	-	-
65	-	-	-	-	-	-	-	-	-

Current consumption in A

30	-	-	-	-	-	-	-	-	-
35	-	-	-	-	-	-	-	-	-
40	-	-	-	-	-	-	-	-	-
45	-	-	-	-	-	-	-	-	-
50	-	-	-	-	-	-	-	-	-
55	-	-	-	-	-	-	-	-	-
60	-	-	-	-	-	-	-	-	-
65	-	-	-	-	-	-	-	-	-

Mass flow in kg/h

30	-	-	-	-	-	-	-	-	-
35	-	-	-	-	-	-	-	-	-
40	-	-	-	-	-	-	-	-	-
45	-	-	-	-	-	-	-	-	-
50	-	-	-	-	-	-	-	-	-
55	-	-	-	-	-	-	-	-	-
60	-	-	-	-	-	-	-	-	-
65	-	-	-	-	-	-	-	-	-

Coefficient of performance (C.O.P.)

30	-	-	-	-	-	-	-	-	-
35	-	-	-	-	-	-	-	-	-
40	-	-	-	-	-	-	-	-	-
45	-	-	-	-	-	-	-	-	-
50	-	-	-	-	-	-	-	-	-
55	-	-	-	-	-	-	-	-	-
60	-	-	-	-	-	-	-	-	-
65	-	-	-	-	-	-	-	-	-

Nominal performance at to = 5 °C, tc = 50 °C

Cooling capacity	-	W
Power input	-	W
Current consumption	-	A
Mass flow	-	kg/h
C.O.P.	-	

Pressure switch settings

Maximum HP switch setting	30	bar(g)
Minimum LP switch setting	0.5	bar(g)
LP pump down setting	1	bar(g)

Sound power data

Sound power level	77	dB(A)
With accoustic hood	72	dB(A)

to: Evaporating temperature at dew point

tc: Condensing temperature at dew point

Rating conditions : Superheat = 10 K , Subcooling = 0 K

Tolerance according EN12900

Danfoss can accept no responsibility for possible errors in catalogues, brochures and other printed material. Danfoss reserves the right to alter its products without notice. This also applies to products already on order provided that such alternations can be made without subsequential changes being necessary in specifications already agreed. All trademarks in this material are property of the respective companies. Danfoss and the Danfoss logotype are trademarks of Danfoss A/S. All rights reserved.

Performance data at 60 Hz, ARI rating conditions

R407C

Cond. temp. in °C (tc)	Evaporating temperature in °C (to)							
	-30	-25	-20	-15	-10	-5	0	5

Cooling capacity in W

30	-	-	-	-	-	-	-	-	-
35	-	-	-	-	-	-	-	-	-
40	-	-	-	-	-	-	-	-	-
45	-	-	-	-	-	-	-	-	-
50	-	-	-	-	-	-	-	-	-
55	-	-	-	-	-	-	-	-	-
60	-	-	-	-	-	-	-	-	-
65	-	-	-	-	-	-	-	-	-

Power input in W

30	-	-	-	-	-	-	-	-	-
35	-	-	-	-	-	-	-	-	-
40	-	-	-	-	-	-	-	-	-
45	-	-	-	-	-	-	-	-	-
50	-	-	-	-	-	-	-	-	-
55	-	-	-	-	-	-	-	-	-
60	-	-	-	-	-	-	-	-	-
65	-	-	-	-	-	-	-	-	-

Current consumption in A

30	-	-	-	-	-	-	-	-	-
35	-	-	-	-	-	-	-	-	-
40	-	-	-	-	-	-	-	-	-
45	-	-	-	-	-	-	-	-	-
50	-	-	-	-	-	-	-	-	-
55	-	-	-	-	-	-	-	-	-
60	-	-	-	-	-	-	-	-	-
65	-	-	-	-	-	-	-	-	-

Mass flow in kg/h

30	-	-	-	-	-	-	-	-	-
35	-	-	-	-	-	-	-	-	-
40	-	-	-	-	-	-	-	-	-
45	-	-	-	-	-	-	-	-	-
50	-	-	-	-	-	-	-	-	-
55	-	-	-	-	-	-	-	-	-
60	-	-	-	-	-	-	-	-	-
65	-	-	-	-	-	-	-	-	-

Coefficient of performance (C.O.P.)

30	-	-	-	-	-	-	-	-	-
35	-	-	-	-	-	-	-	-	-
40	-	-	-	-	-	-	-	-	-
45	-	-	-	-	-	-	-	-	-
50	-	-	-	-	-	-	-	-	-
55	-	-	-	-	-	-	-	-	-
60	-	-	-	-	-	-	-	-	-
65	-	-	-	-	-	-	-	-	-

Nominal performance at to = 7.2 °C, tc = 54.4 °C

Cooling capacity	-	W
Power input	-	W
Current consumption	-	A
Mass flow	-	kg/h
C.O.P.	-	

Pressure switch settings

Maximum HP switch setting	30	bar(g)
Minimum LP switch setting	0.5	bar(g)
LP pump down setting	1	bar(g)

Sound power data

Sound power level	77	dB(A)
With accoustic hood	72	dB(A)

to: Evaporating temperature at dew point

tc: Condensing temperature at dew point

Rating conditions : Superheat = 11.1 K , Subcooling = 8.3 K

Tolerance according EN12900

Danfoss can accept no responsibility for possible errors in catalogues, brochures and other printed material. Danfoss reserves the right to alter its products without notice. This also applies to products already on order provided that such alternations can be made without subsequential changes being necessary in specifications already agreed. All trademarks in this material are property of the respective companies. Danfoss and the Danfoss logotype are trademarks of Danfoss A/S. All rights reserved.

Performance data at 60 Hz, EN 12900 rating conditions

R407C

Cond. temp. in °C (tc)	Evaporating temperature in °C (to)								
	-30	-25	-20	-15	-10	-5	0	5	10

Cooling capacity in W

30	-	-	-	-	-	-	-	-	-
35	-	-	-	-	-	-	-	-	-
40	-	-	-	-	-	-	-	-	-
45	-	-	-	-	-	-	-	-	-
50	-	-	-	-	-	-	-	-	-
55	-	-	-	-	-	-	-	-	-
60	-	-	-	-	-	-	-	-	-
65	-	-	-	-	-	-	-	-	-

Power input in W

30	-	-	-	-	-	-	-	-	-
35	-	-	-	-	-	-	-	-	-
40	-	-	-	-	-	-	-	-	-
45	-	-	-	-	-	-	-	-	-
50	-	-	-	-	-	-	-	-	-
55	-	-	-	-	-	-	-	-	-
60	-	-	-	-	-	-	-	-	-
65	-	-	-	-	-	-	-	-	-

Current consumption in A

30	-	-	-	-	-	-	-	-	-
35	-	-	-	-	-	-	-	-	-
40	-	-	-	-	-	-	-	-	-
45	-	-	-	-	-	-	-	-	-
50	-	-	-	-	-	-	-	-	-
55	-	-	-	-	-	-	-	-	-
60	-	-	-	-	-	-	-	-	-
65	-	-	-	-	-	-	-	-	-

Mass flow in kg/h

30	-	-	-	-	-	-	-	-	-
35	-	-	-	-	-	-	-	-	-
40	-	-	-	-	-	-	-	-	-
45	-	-	-	-	-	-	-	-	-
50	-	-	-	-	-	-	-	-	-
55	-	-	-	-	-	-	-	-	-
60	-	-	-	-	-	-	-	-	-
65	-	-	-	-	-	-	-	-	-

Coefficient of performance (C.O.P.)

30	-	-	-	-	-	-	-	-	-
35	-	-	-	-	-	-	-	-	-
40	-	-	-	-	-	-	-	-	-
45	-	-	-	-	-	-	-	-	-
50	-	-	-	-	-	-	-	-	-
55	-	-	-	-	-	-	-	-	-
60	-	-	-	-	-	-	-	-	-
65	-	-	-	-	-	-	-	-	-

Nominal performance at to = 5 °C, tc = 50 °C

Cooling capacity	-	W
Power input	-	W
Current consumption	-	A
Mass flow	-	kg/h
C.O.P.	-	

Pressure switch settings

Maximum HP switch setting	30	bar(g)
Minimum LP switch setting	0.5	bar(g)
LP pump down setting	1	bar(g)

Sound power data

Sound power level	77	dB(A)
With accoustic hood	72	dB(A)

to: Evaporating temperature at dew point

tc: Condensing temperature at dew point

Rating conditions : Superheat = 10 K , Subcooling = 0 K

Tolerance according EN12900

Danfoss can accept no responsibility for possible errors in catalogues, brochures and other printed material. Danfoss reserves the right to alter its products without notice. This also applies to products already on order provided that such alternations can be made without subsequential changes being necessary in specifications already agreed. All trademarks in this material are property of the respective companies. Danfoss and the Danfoss logotype are trademarks of Danfoss A/S. All rights reserved.

Performance data at 60 Hz, ARI rating conditions

R407C

Cond. temp. in °C (tc)	Evaporating temperature in °C (to)							
	-30	-25	-20	-15	-10	-5	0	5

Cooling capacity in W

30	-	-	-	-	-	-	-	-	-
35	-	-	-	-	-	-	-	-	-
40	-	-	-	-	-	-	-	-	-
45	-	-	-	-	-	-	-	-	-
50	-	-	-	-	-	-	-	-	-
55	-	-	-	-	-	-	-	-	-
60	-	-	-	-	-	-	-	-	-
65	-	-	-	-	-	-	-	-	-

Power input in W

30	-	-	-	-	-	-	-	-	-
35	-	-	-	-	-	-	-	-	-
40	-	-	-	-	-	-	-	-	-
45	-	-	-	-	-	-	-	-	-
50	-	-	-	-	-	-	-	-	-
55	-	-	-	-	-	-	-	-	-
60	-	-	-	-	-	-	-	-	-
65	-	-	-	-	-	-	-	-	-

Current consumption in A

30	-	-	-	-	-	-	-	-	-
35	-	-	-	-	-	-	-	-	-
40	-	-	-	-	-	-	-	-	-
45	-	-	-	-	-	-	-	-	-
50	-	-	-	-	-	-	-	-	-
55	-	-	-	-	-	-	-	-	-
60	-	-	-	-	-	-	-	-	-
65	-	-	-	-	-	-	-	-	-

Mass flow in kg/h

30	-	-	-	-	-	-	-	-	-
35	-	-	-	-	-	-	-	-	-
40	-	-	-	-	-	-	-	-	-
45	-	-	-	-	-	-	-	-	-
50	-	-	-	-	-	-	-	-	-
55	-	-	-	-	-	-	-	-	-
60	-	-	-	-	-	-	-	-	-
65	-	-	-	-	-	-	-	-	-

Coefficient of performance (C.O.P.)

30	-	-	-	-	-	-	-	-	-
35	-	-	-	-	-	-	-	-	-
40	-	-	-	-	-	-	-	-	-
45	-	-	-	-	-	-	-	-	-
50	-	-	-	-	-	-	-	-	-
55	-	-	-	-	-	-	-	-	-
60	-	-	-	-	-	-	-	-	-
65	-	-	-	-	-	-	-	-	-

Nominal performance at to = 7.2 °C, tc = 54.4 °C

Cooling capacity	-	W
Power input	-	W
Current consumption	-	A
Mass flow	-	kg/h
C.O.P.	-	

Pressure switch settings

Maximum HP switch setting	30	bar(g)
Minimum LP switch setting	0.5	bar(g)
LP pump down setting	1	bar(g)

Sound power data

Sound power level	77	dB(A)
With accoustic hood	72	dB(A)

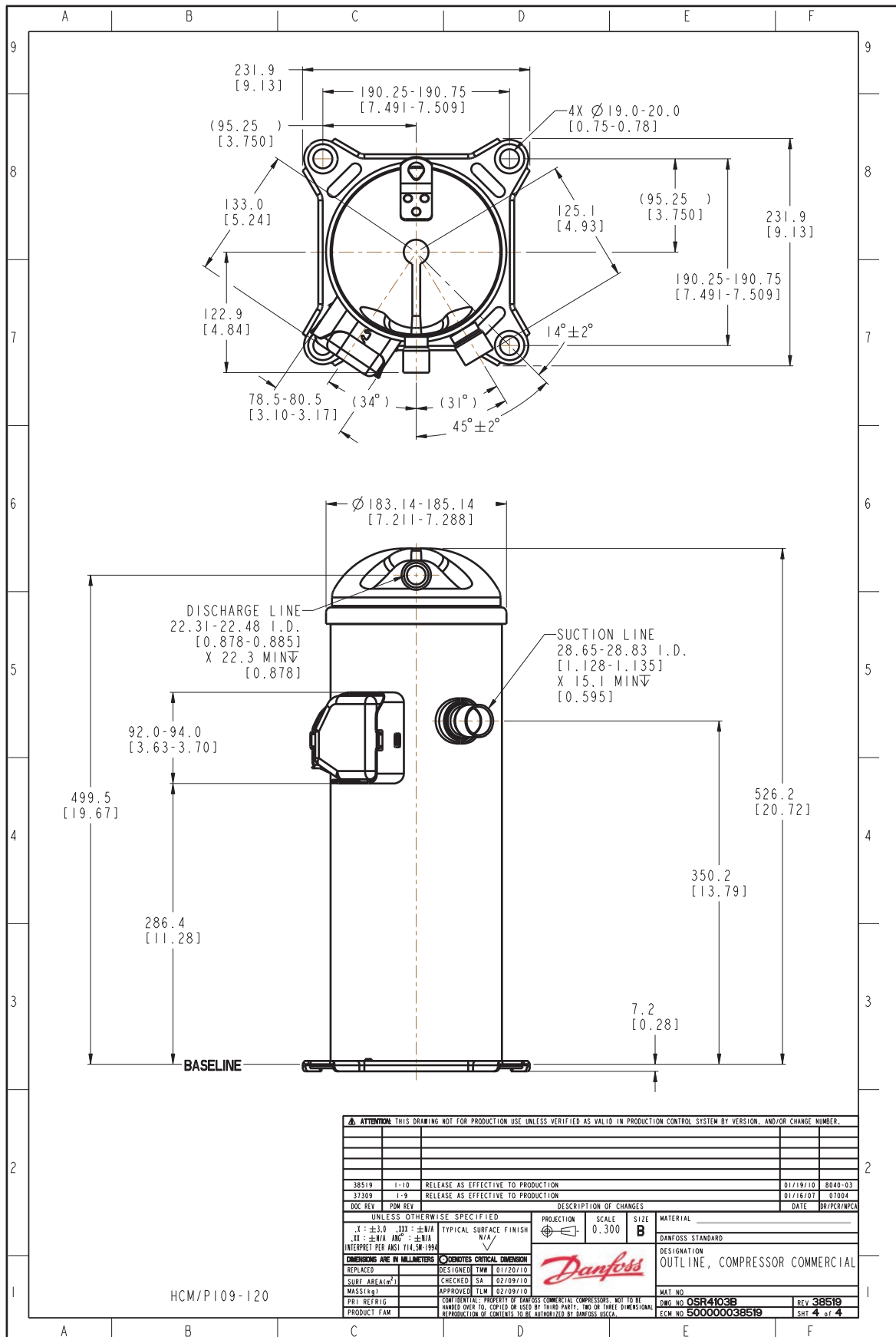
to: Evaporating temperature at dew point

tc: Condensing temperature at dew point

Rating conditions : Superheat = 11.1 K , Subcooling = 8.3 K

Tolerance according EN12900

Danfoss can accept no responsibility for possible errors in catalogues, brochures and other printed material. Danfoss reserves the right to alter its products without notice. This also applies to products already on order provided that such alternations can be made without subsequential changes being necessary in specifications already agreed. All trademarks in this material are property of the respective companies. Danfoss and the Danfoss logotype are trademarks of Danfoss A/S. All rights reserved.

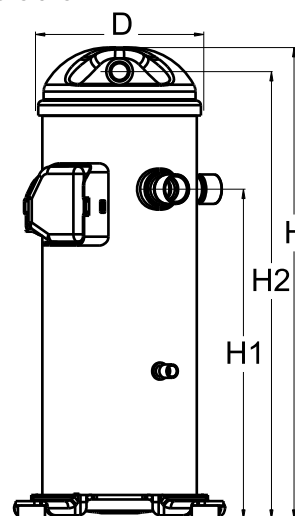


Danfoss can accept no responsibility for possible errors in catalogues, brochures and other printed material. Danfoss reserves the right to alter its products without notice. This also applies to products already on order provided that such alternations can be made without subsequential changes being necessary in specifications already agreed. All trademarks in this material are property of the respective companies. Danfoss, the Danfoss logotype and Maneurop are trademarks of Danfoss A/S. All rights reserved.

General Characteristics

Model number (on compressor nameplate)		HCP109T4LC8
Code number for Singlepack*		120U0386
Code number for Industrial pack**		120U0383
Drawing number		0SR4103B-4
Suction and discharge connections		Brazed
Suction connection		1-1/8" ODF
Discharge connection		7/8" ODF
Oil sight glass		None
Oil equalisation connection		1/2"
Oil drain connection		None
LP gauge port		None
IPR valve		None
Swept volume		148.79 cm ³ /rev
Displacement @ Nominal speed		25.9 m ³ /h @ 2900 rpm - 31.3 m ³ /h @ 3500 rpm
Net weight		45.2 kg
Oil charge		2.66 litre, PVE --
Maximum system test pressure Low Side / High side		- bar(g) / - bar(g)
Maximum differential test pressure		- bar
Maximum number of starts per hour		-
Refrigerant charge limit		7.26 kg
Approved refrigerants		R407C

Dimensions

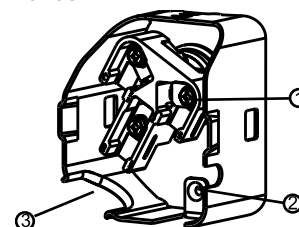


D=184 mm
H=545 mm
H1=369 mm
H2=519 mm
H3=- mm

Electrical Characteristics

Nominal voltage	380-415V/3/50Hz - 460V/3/60Hz
Voltage range	342-457 V @ 50Hz - 414-506 V @ 60Hz
Winding resistance between phases 1-2 +/- 7% at 25°C	1.326 Ω
Winding resistance between phases 1-3 +/- 7% at 25°C	1.280 Ω
Winding resistance between phases 2-3 +/- 7% at 25°C	1.290 Ω
Rated Load Amps (RLA)	16 A
Maximum Continuous Current (MCC)	24 A
Locked Rotor Amps (LRA)	110 A
Motor protection	Internal overload protector

Terminal box



IP22

- 1: Screw connectors 10-32 UNF x 9.5
- 2: Earth connection
- 3: Power cable passage

Recommended Installation torques

Oil sight glass	52.5 Nm
Power connections / Earth connection	3 Nm / 2 Nm

Parts shipped with compressor

Mounting kit with grommets and sleeves
Initial oil charge
Installation instructions

Approvals : CE certified, UL certified (file SA11565), -

*Singlepack: Compressor in cardboard box

**Industrial pack: 12 or 16 Unboxed compressors on pallet

Rotolock accessories, suction side
Code no.

Solder sleeve, P02 (1-3/4" Rotolock, 1-1/8" ODF)	8153004
Angle adapter, C02 (1-3/4" Rotolock, 1-1/8" ODF)	8168005
Rotolock valve, V02 (1-3/4" Rotolock, 1-1/8" ODF)	8168028
Gasket, 1-3/4"	8156132

Rotolock accessories, discharge side
Code no.

Rotolock valve, V05 (1-1/4" Rotolock, 7/8" ODF)	8168030
Gasket, 1-3/4"	8156132

Rotolock accessories, sets
Code no.

Solder sleeve adapter set (1-3/4" Rotolock, 1-1/8" ODF), (1-1/4" Rotolock, 7/8" ODF)	120Z0125
Valve set, V02(1"3/4~1"1/8), V05(1"1/4~7/8")	120Z0403
Gasket set, 1", 1-1/4", 1-3/4", OSG gaskets black & white	8156009

Oil / lubricants
Code no.

PVE lubricant, 320HV (FVC68D), 1 litre can	120Z5034
--	----------

Crankcase heaters
Code no.

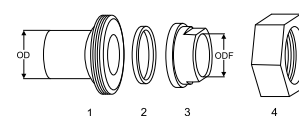
Belt type crankcase heater, 65 W, 230 V, CE mark, UL	120Z0059
Belt type crankcase heater, 65 W, 400 V, CE mark, UL	120Z0060
Belt type crankcase heater, 70 W, 240 V, CE mark, UL	120Z5040
Belt type crankcase heater, 70 W, 240 V, CE mark, UL	120Z5040

Miscellaneous accessories
Code no.

Acoustic hood	120Z5045
Discharge thermostat kit	7750009
IP54 upgrade kit	118U0057

Spare parts
Code no.

Mounting kit for 1 scroll compressor including 4 grommets, 4 sleeves, 4 bolts, 4 washers	120Z5005
Mounting kit, including 1 bolt, 1 sleeve, 1 washer	120Z5031
Terminal box cover	120Z5018

Solder sleeve adapter set


- 1: Rotolock adapter (Suc & Dis)
- 2: Gasket (Suc & Dis)
- 3: Solder sleeve (Suc & Dis)
- 4: Rotolock nut (Suc & Dis)

Performance data at 50 Hz, EN 12900 rating conditions

R407C

Cond. temp. in °C (tc)	Evaporating temperature in °C (to)							
	-30	-25	-20	-15	-10	-5	0	5

Cooling capacity in W

30	-	7 897	10 117	12 893	16 181	19 936	24 114	28 670	33 558
35	-	7 508	9 489	12 073	15 216	18 875	23 004	27 559	32 495
40	-	7 253	8 948	11 291	14 239	17 749	21 777	26 278	31 208
45	-	-	8 507	10 559	13 262	16 573	20 447	24 842	29 714
50	-	-	-	9 892	12 301	15 362	19 032	23 268	28 026
55	-	-	-	-	11 368	14 130	17 544	21 568	26 161
60	-	-	-	-	-	12 889	15 997	19 758	24 130
65	-	-	-	-	-	-	14 403	17 848	21 946

Power input in W

30	-	4 338	4 423	4 496	4 562	4 630	4 707	4 802	4 922
35	-	4 800	4 925	5 021	5 094	5 153	5 206	5 259	5 322
40	-	5 271	5 447	5 578	5 671	5 733	5 772	5 797	5 814
45	-	-	6 008	6 186	6 309	6 386	6 424	6 431	6 414
50	-	-	-	6 860	7 027	7 131	7 179	7 180	7 142
55	-	-	-	-	7 841	7 983	8 054	8 062	8 013
60	-	-	-	-	-	8 962	9 067	9 093	9 047
65	-	-	-	-	-	-	10 236	10 291	10 259

Current consumption in A

30	-	10.02	10.09	10.16	10.23	10.30	10.37	10.42	10.46
35	-	10.64	10.69	10.74	10.80	10.85	10.91	10.96	11.00
40	-	11.32	11.34	11.38	11.42	11.46	11.51	11.56	11.60
45	-	-	12.10	12.11	12.14	12.18	12.23	12.27	12.32
50	-	-	-	13.00	13.02	13.05	13.10	13.15	13.20
55	-	-	-	-	14.10	14.13	14.17	14.23	14.29
60	-	-	-	-	-	15.46	15.50	15.56	15.64
65	-	-	-	-	-	-	17.13	17.20	17.29

Mass flow in kg/h

30	-	179	224	278	342	416	501	596	704
35	-	177	222	276	339	413	497	592	698
40	-	173	218	272	336	409	493	588	694
45	-	-	212	267	331	404	488	583	689
50	-	-	-	258	323	397	482	577	683
55	-	-	-	-	312	388	473	569	676
60	-	-	-	-	-	374	461	558	666
65	-	-	-	-	-	-	446	545	654

Coefficient of performance (C.O.P.)

30	-	1.82	2.29	2.87	3.55	4.31	5.12	5.97	6.82
35	-	1.56	1.93	2.40	2.99	3.66	4.42	5.24	6.11
40	-	1.38	1.64	2.02	2.51	3.10	3.77	4.53	5.37
45	-	-	1.42	1.71	2.10	2.60	3.18	3.86	4.63
50	-	-	-	1.44	1.75	2.15	2.65	3.24	3.92
55	-	-	-	-	1.45	1.77	2.18	2.68	3.26
60	-	-	-	-	-	1.44	1.76	2.17	2.67
65	-	-	-	-	-	-	1.41	1.73	2.14

Nominal performance at to = 5 °C, tc = 50 °C

Cooling capacity	23 268	W
Power input	7 180	W
Current consumption	13.15	A
Mass flow	577	kg/h
C.O.P.	3.24	

Pressure switch settings

Maximum HP switch setting	30	bar(g)
Minimum LP switch setting	0.5	bar(g)
LP pump down setting	1	bar(g)

Sound power data

Sound power level	74	dB(A)
With acoustic hood	69	dB(A)

to: Evaporating temperature at dew point

tc: Condensing temperature at dew point

Rating conditions : Superheat = 10 K, Subcooling = 0 K

Tolerance according EN12900

Danfoss can accept no responsibility for possible errors in catalogues, brochures and other printed material. Danfoss reserves the right to alter its products without notice. This also applies to products already on order provided that such alternations can be made without subsequential changes being necessary in specifications already agreed. All trademarks in this material are property of the respective companies. Danfoss and the Danfoss logotype are trademarks of Danfoss A/S. All rights reserved.

Performance data at 50 Hz, ARI rating conditions

R407C

Cond. temp. in °C (tc)	Evaporating temperature in °C (to)							
	-30	-25	-20	-15	-10	-5	0	5

Cooling capacity in W

30	-	8 480	10 850	13 812	17 315	21 311	25 751	30 585	35 765
35	-	8 102	10 227	12 995	16 358	20 267	24 673	29 526	34 778
40	-	7 873	9 698	12 219	15 389	19 157	23 474	28 293	33 562
45	-	-	9 280	11 501	14 422	17 995	22 171	26 900	32 134
50	-	-	-	10 856	13 475	16 799	20 779	25 365	30 509
55	-	-	-	-	12 563	15 584	19 314	23 703	28 703
60	-	-	-	-	-	14 367	17 793	21 931	26 732
65	-	-	-	-	-	-	16 231	20 064	24 613

Power input in W

30	-	4 338	4 423	4 496	4 562	4 630	4 707	4 802	4 922
35	-	4 800	4 925	5 021	5 094	5 153	5 206	5 259	5 322
40	-	5 271	5 447	5 578	5 671	5 733	5 772	5 797	5 814
45	-	-	6 008	6 186	6 309	6 386	6 424	6 431	6 414
50	-	-	-	6 860	7 027	7 131	7 179	7 180	7 142
55	-	-	-	-	7 841	7 983	8 054	8 062	8 013
60	-	-	-	-	-	8 962	9 067	9 093	9 047
65	-	-	-	-	-	-	10 236	10 291	10 259

Current consumption in A

30	-	10.02	10.09	10.16	10.23	10.30	10.37	10.42	10.46
35	-	10.64	10.69	10.74	10.80	10.85	10.91	10.96	11.00
40	-	11.32	11.34	11.38	11.42	11.46	11.51	11.56	11.60
45	-	-	12.10	12.11	12.14	12.18	12.23	12.27	12.32
50	-	-	-	13.00	13.02	13.05	13.10	13.15	13.20
55	-	-	-	-	14.10	14.13	14.17	14.23	14.29
60	-	-	-	-	-	15.46	15.50	15.56	15.64
65	-	-	-	-	-	-	17.13	17.20	17.29

Mass flow in kg/h

30	-	178	223	276	340	414	498	593	700
35	-	176	221	275	338	411	494	589	694
40	-	172	217	271	334	407	490	584	689
45	-	-	211	265	329	402	485	579	685
50	-	-	-	257	321	395	479	573	679
55	-	-	-	-	310	385	470	566	672
60	-	-	-	-	-	372	459	555	662
65	-	-	-	-	-	-	443	541	650

Coefficient of performance (C.O.P.)

30	-	1.95	2.45	3.07	3.80	4.60	5.47	6.37	7.27
35	-	1.69	2.08	2.59	3.21	3.93	4.74	5.61	6.53
40	-	1.49	1.78	2.19	2.71	3.34	4.07	4.88	5.77
45	-	-	1.54	1.86	2.29	2.82	3.45	4.18	5.01
50	-	-	-	1.58	1.92	2.36	2.89	3.53	4.27
55	-	-	-	-	1.60	1.95	2.40	2.94	3.58
60	-	-	-	-	-	1.60	1.96	2.41	2.95
65	-	-	-	-	-	-	1.59	1.95	2.40

Nominal performance at to = 7.2 °C, tc = 54.4 °C

Cooling capacity	26 046	W
Power input	7 934	W
Current consumption	14.11	A
Mass flow	612	kg/h
C.O.P.	3.28	

Pressure switch settings

Maximum HP switch setting	30	bar(g)
Minimum LP switch setting	0.5	bar(g)
LP pump down setting	1	bar(g)

Sound power data

Sound power level	74	dB(A)
With acoustic hood	69	dB(A)

to: Evaporating temperature at dew point

tc: Condensing temperature at dew point

Rating conditions : Superheat = 11.1 K , Subcooling = 8.3 K

Tolerance according EN12900

Danfoss can accept no responsibility for possible errors in catalogues, brochures and other printed material. Danfoss reserves the right to alter its products without notice. This also applies to products already on order provided that such alternations can be made without subsequential changes being necessary in specifications already agreed. All trademarks in this material are property of the respective companies. Danfoss and the Danfoss logotype are trademarks of Danfoss A/S. All rights reserved.

Performance data at 50 Hz, EN 12900 rating conditions
R407C

Cond. temp. in °C (tc)	Evaporating temperature in °C (to)							
	-30	-25	-20	-15	-10	-5	0	5

Cooling capacity in W

30	-	7 897	10 117	12 893	16 181	19 936	24 114	28 670	33 558
35	-	7 508	9 489	12 073	15 216	18 875	23 004	27 559	32 495
40	-	7 253	8 948	11 291	14 239	17 749	21 777	26 278	31 208
45	-	-	8 507	10 559	13 262	16 573	20 447	24 842	29 714
50	-	-	-	9 892	12 301	15 362	19 032	23 268	28 026
55	-	-	-	-	11 368	14 130	17 544	21 568	26 161
60	-	-	-	-	-	12 889	15 997	19 758	24 130
65	-	-	-	-	-	-	14 403	17 848	21 946

Power input in W

30	-	4 338	4 423	4 496	4 562	4 630	4 707	4 802	4 922
35	-	4 800	4 925	5 021	5 094	5 153	5 206	5 259	5 322
40	-	5 271	5 447	5 578	5 671	5 733	5 772	5 797	5 814
45	-	-	6 008	6 186	6 309	6 386	6 424	6 431	6 414
50	-	-	-	6 860	7 027	7 131	7 179	7 180	7 142
55	-	-	-	-	7 841	7 983	8 054	8 062	8 013
60	-	-	-	-	-	8 962	9 067	9 093	9 047
65	-	-	-	-	-	-	10 236	10 291	10 259

Current consumption in A

30	-	10.02	10.09	10.16	10.23	10.30	10.37	10.42	10.46
35	-	10.64	10.69	10.74	10.80	10.85	10.91	10.96	11.00
40	-	11.32	11.34	11.38	11.42	11.46	11.51	11.56	11.60
45	-	-	12.10	12.11	12.14	12.18	12.23	12.27	12.32
50	-	-	-	13.00	13.02	13.05	13.10	13.15	13.20
55	-	-	-	-	14.10	14.13	14.17	14.23	14.29
60	-	-	-	-	-	15.46	15.50	15.56	15.64
65	-	-	-	-	-	-	17.13	17.20	17.29

Mass flow in kg/h

30	-	179	224	278	342	416	501	596	704
35	-	177	222	276	339	413	497	592	698
40	-	173	218	272	336	409	493	588	694
45	-	-	212	267	331	404	488	583	689
50	-	-	-	258	323	397	482	577	683
55	-	-	-	-	312	388	473	569	676
60	-	-	-	-	-	374	461	558	666
65	-	-	-	-	-	-	446	545	654

Coefficient of performance (C.O.P.)

30	-	1.82	2.29	2.87	3.55	4.31	5.12	5.97	6.82
35	-	1.56	1.93	2.40	2.99	3.66	4.42	5.24	6.11
40	-	1.38	1.64	2.02	2.51	3.10	3.77	4.53	5.37
45	-	-	1.42	1.71	2.10	2.60	3.18	3.86	4.63
50	-	-	-	1.44	1.75	2.15	2.65	3.24	3.92
55	-	-	-	-	1.45	1.77	2.18	2.68	3.26
60	-	-	-	-	-	1.44	1.76	2.17	2.67
65	-	-	-	-	-	-	1.41	1.73	2.14

Nominal performance at to = 5 °C, tc = 50 °C

Cooling capacity	23 268	W
Power input	7 180	W
Current consumption	13.15	A
Mass flow	577	kg/h
C.O.P.	3.24	

Pressure switch settings

Maximum HP switch setting	30	bar(g)
Minimum LP switch setting	0.5	bar(g)
LP pump down setting	1	bar(g)

Sound power data

Sound power level	74	dB(A)
With acoustic hood	69	dB(A)

to: Evaporating temperature at dew point

tc: Condensing temperature at dew point

Rating conditions : Superheat = 10 K , Subcooling = 0 K

Tolerance according EN12900

Danfoss can accept no responsibility for possible errors in catalogues, brochures and other printed material. Danfoss reserves the right to alter its products without notice. This also applies to products already on order provided that such alternations can be made without subsequential changes being necessary in specifications already agreed. All trademarks in this material are property of the respective companies. Danfoss and the Danfoss logotype are trademarks of Danfoss A/S. All rights reserved.

Performance data at 50 Hz, ARI rating conditions
R407C

Cond. temp. in °C (tc)	Evaporating temperature in °C (to)							
	-30	-25	-20	-15	-10	-5	0	5

Cooling capacity in W

30	-	8 480	10 850	13 812	17 315	21 311	25 751	30 585	35 765
35	-	8 102	10 227	12 995	16 358	20 267	24 673	29 526	34 778
40	-	7 873	9 698	12 219	15 389	19 157	23 474	28 293	33 562
45	-	-	9 280	11 501	14 422	17 995	22 171	26 900	32 134
50	-	-	-	10 856	13 475	16 799	20 779	25 365	30 509
55	-	-	-	-	12 563	15 584	19 314	23 703	28 703
60	-	-	-	-	-	14 367	17 793	21 931	26 732
65	-	-	-	-	-	-	16 231	20 064	24 613

Power input in W

30	-	4 338	4 423	4 496	4 562	4 630	4 707	4 802	4 922
35	-	4 800	4 925	5 021	5 094	5 153	5 206	5 259	5 322
40	-	5 271	5 447	5 578	5 671	5 733	5 772	5 797	5 814
45	-	-	6 008	6 186	6 309	6 386	6 424	6 431	6 414
50	-	-	-	6 860	7 027	7 131	7 179	7 180	7 142
55	-	-	-	-	7 841	7 983	8 054	8 062	8 013
60	-	-	-	-	-	8 962	9 067	9 093	9 047
65	-	-	-	-	-	-	10 236	10 291	10 259

Current consumption in A

30	-	10.02	10.09	10.16	10.23	10.30	10.37	10.42	10.46
35	-	10.64	10.69	10.74	10.80	10.85	10.91	10.96	11.00
40	-	11.32	11.34	11.38	11.42	11.46	11.51	11.56	11.60
45	-	-	12.10	12.11	12.14	12.18	12.23	12.27	12.32
50	-	-	-	13.00	13.02	13.05	13.10	13.15	13.20
55	-	-	-	-	14.10	14.13	14.17	14.23	14.29
60	-	-	-	-	-	15.46	15.50	15.56	15.64
65	-	-	-	-	-	-	17.13	17.20	17.29

Mass flow in kg/h

30	-	178	223	276	340	414	498	593	700
35	-	176	221	275	338	411	494	589	694
40	-	172	217	271	334	407	490	584	689
45	-	-	211	265	329	402	485	579	685
50	-	-	-	257	321	395	479	573	679
55	-	-	-	-	310	385	470	566	672
60	-	-	-	-	-	372	459	555	662
65	-	-	-	-	-	-	443	541	650

Coefficient of performance (C.O.P.)

30	-	1.95	2.45	3.07	3.80	4.60	5.47	6.37	7.27
35	-	1.69	2.08	2.59	3.21	3.93	4.74	5.61	6.53
40	-	1.49	1.78	2.19	2.71	3.34	4.07	4.88	5.77
45	-	-	1.54	1.86	2.29	2.82	3.45	4.18	5.01
50	-	-	-	1.58	1.92	2.36	2.89	3.53	4.27
55	-	-	-	-	1.60	1.95	2.40	2.94	3.58
60	-	-	-	-	-	1.60	1.96	2.41	2.95
65	-	-	-	-	-	-	1.59	1.95	2.40

Nominal performance at to = 7.2 °C, tc = 54.4 °C

Cooling capacity	26 046	W
Power input	7 934	W
Current consumption	14.11	A
Mass flow	612	kg/h
C.O.P.	3.28	

Pressure switch settings

Maximum HP switch setting	30	bar(g)
Minimum LP switch setting	0.5	bar(g)
LP pump down setting	1	bar(g)

Sound power data

Sound power level	74	dB(A)
With acoustic hood	69	dB(A)

to: Evaporating temperature at dew point

tc: Condensing temperature at dew point

Rating conditions : Superheat = 11.1 K , Subcooling = 8.3 K

Tolerance according EN12900

Danfoss can accept no responsibility for possible errors in catalogues, brochures and other printed material. Danfoss reserves the right to alter its products without notice. This also applies to products already on order provided that such alternations can be made without subsequential changes being necessary in specifications already agreed. All trademarks in this material are property of the respective companies. Danfoss and the Danfoss logotype are trademarks of Danfoss A/S. All rights reserved.

Performance data at 60 Hz, EN 12900 rating conditions

R407C

Cond. temp. in °C (tc)	Evaporating temperature in °C (to)								
	-30	-25	-20	-15	-10	-5	0	5	10

Cooling capacity in W

30	-	-	-	-	-	-	-	-	-
35	-	-	-	-	-	-	-	-	-
40	-	-	-	-	-	-	-	-	-
45	-	-	-	-	-	-	-	-	-
50	-	-	-	-	-	-	-	-	-
55	-	-	-	-	-	-	-	-	-
60	-	-	-	-	-	-	-	-	-
65	-	-	-	-	-	-	-	-	-

Power input in W

30	-	-	-	-	-	-	-	-	-
35	-	-	-	-	-	-	-	-	-
40	-	-	-	-	-	-	-	-	-
45	-	-	-	-	-	-	-	-	-
50	-	-	-	-	-	-	-	-	-
55	-	-	-	-	-	-	-	-	-
60	-	-	-	-	-	-	-	-	-
65	-	-	-	-	-	-	-	-	-

Current consumption in A

30	-	-	-	-	-	-	-	-	-
35	-	-	-	-	-	-	-	-	-
40	-	-	-	-	-	-	-	-	-
45	-	-	-	-	-	-	-	-	-
50	-	-	-	-	-	-	-	-	-
55	-	-	-	-	-	-	-	-	-
60	-	-	-	-	-	-	-	-	-
65	-	-	-	-	-	-	-	-	-

Mass flow in kg/h

30	-	-	-	-	-	-	-	-	-
35	-	-	-	-	-	-	-	-	-
40	-	-	-	-	-	-	-	-	-
45	-	-	-	-	-	-	-	-	-
50	-	-	-	-	-	-	-	-	-
55	-	-	-	-	-	-	-	-	-
60	-	-	-	-	-	-	-	-	-
65	-	-	-	-	-	-	-	-	-

Coefficient of performance (C.O.P.)

30	-	-	-	-	-	-	-	-	-
35	-	-	-	-	-	-	-	-	-
40	-	-	-	-	-	-	-	-	-
45	-	-	-	-	-	-	-	-	-
50	-	-	-	-	-	-	-	-	-
55	-	-	-	-	-	-	-	-	-
60	-	-	-	-	-	-	-	-	-
65	-	-	-	-	-	-	-	-	-

Nominal performance at to = 5 °C, tc = 50 °C

Cooling capacity	-	W
Power input	-	W
Current consumption	-	A
Mass flow	-	kg/h
C.O.P.	-	

Pressure switch settings

Maximum HP switch setting	30	bar(g)
Minimum LP switch setting	0.5	bar(g)
LP pump down setting	1	bar(g)

Sound power data

Sound power level	77	dB(A)
With accoustic hood	72	dB(A)

to: Evaporating temperature at dew point

tc: Condensing temperature at dew point

Rating conditions : Superheat = 10 K , Subcooling = 0 K

Tolerance according EN12900

Danfoss can accept no responsibility for possible errors in catalogues, brochures and other printed material. Danfoss reserves the right to alter its products without notice. This also applies to products already on order provided that such alternations can be made without subsequential changes being necessary in specifications already agreed. All trademarks in this material are property of the respective companies. Danfoss and the Danfoss logotype are trademarks of Danfoss A/S. All rights reserved.

Performance data at 60 Hz, ARI rating conditions

R407C

Cond. temp. in °C (tc)	Evaporating temperature in °C (to)							
	-30	-25	-20	-15	-10	-5	0	5

Cooling capacity in W

30	-	-	-	-	-	-	-	-	-
35	-	-	-	-	-	-	-	-	-
40	-	-	-	-	-	-	-	-	-
45	-	-	-	-	-	-	-	-	-
50	-	-	-	-	-	-	-	-	-
55	-	-	-	-	-	-	-	-	-
60	-	-	-	-	-	-	-	-	-
65	-	-	-	-	-	-	-	-	-

Power input in W

30	-	-	-	-	-	-	-	-	-
35	-	-	-	-	-	-	-	-	-
40	-	-	-	-	-	-	-	-	-
45	-	-	-	-	-	-	-	-	-
50	-	-	-	-	-	-	-	-	-
55	-	-	-	-	-	-	-	-	-
60	-	-	-	-	-	-	-	-	-
65	-	-	-	-	-	-	-	-	-

Current consumption in A

30	-	-	-	-	-	-	-	-	-
35	-	-	-	-	-	-	-	-	-
40	-	-	-	-	-	-	-	-	-
45	-	-	-	-	-	-	-	-	-
50	-	-	-	-	-	-	-	-	-
55	-	-	-	-	-	-	-	-	-
60	-	-	-	-	-	-	-	-	-
65	-	-	-	-	-	-	-	-	-

Mass flow in kg/h

30	-	-	-	-	-	-	-	-	-
35	-	-	-	-	-	-	-	-	-
40	-	-	-	-	-	-	-	-	-
45	-	-	-	-	-	-	-	-	-
50	-	-	-	-	-	-	-	-	-
55	-	-	-	-	-	-	-	-	-
60	-	-	-	-	-	-	-	-	-
65	-	-	-	-	-	-	-	-	-

Coefficient of performance (C.O.P.)

30	-	-	-	-	-	-	-	-	-
35	-	-	-	-	-	-	-	-	-
40	-	-	-	-	-	-	-	-	-
45	-	-	-	-	-	-	-	-	-
50	-	-	-	-	-	-	-	-	-
55	-	-	-	-	-	-	-	-	-
60	-	-	-	-	-	-	-	-	-
65	-	-	-	-	-	-	-	-	-

Nominal performance at to = 7.2 °C, tc = 54.4 °C

Cooling capacity	-	W
Power input	-	W
Current consumption	-	A
Mass flow	-	kg/h
C.O.P.	-	

Pressure switch settings

Maximum HP switch setting	30	bar(g)
Minimum LP switch setting	0.5	bar(g)
LP pump down setting	1	bar(g)

Sound power data

Sound power level	77	dB(A)
With accoustic hood	72	dB(A)

to: Evaporating temperature at dew point

tc: Condensing temperature at dew point

Rating conditions : Superheat = 11.1 K , Subcooling = 8.3 K

Tolerance according EN12900

Danfoss can accept no responsibility for possible errors in catalogues, brochures and other printed material. Danfoss reserves the right to alter its products without notice. This also applies to products already on order provided that such alternations can be made without subsequential changes being necessary in specifications already agreed. All trademarks in this material are property of the respective companies. Danfoss and the Danfoss logotype are trademarks of Danfoss A/S. All rights reserved.

Performance data at 60 Hz, EN 12900 rating conditions

R407C

Cond. temp. in °C (tc)	Evaporating temperature in °C (to)								
	-30	-25	-20	-15	-10	-5	0	5	10

Cooling capacity in W

30	-	-	-	-	-	-	-	-	-
35	-	-	-	-	-	-	-	-	-
40	-	-	-	-	-	-	-	-	-
45	-	-	-	-	-	-	-	-	-
50	-	-	-	-	-	-	-	-	-
55	-	-	-	-	-	-	-	-	-
60	-	-	-	-	-	-	-	-	-
65	-	-	-	-	-	-	-	-	-

Power input in W

30	-	-	-	-	-	-	-	-	-
35	-	-	-	-	-	-	-	-	-
40	-	-	-	-	-	-	-	-	-
45	-	-	-	-	-	-	-	-	-
50	-	-	-	-	-	-	-	-	-
55	-	-	-	-	-	-	-	-	-
60	-	-	-	-	-	-	-	-	-
65	-	-	-	-	-	-	-	-	-

Current consumption in A

30	-	-	-	-	-	-	-	-	-
35	-	-	-	-	-	-	-	-	-
40	-	-	-	-	-	-	-	-	-
45	-	-	-	-	-	-	-	-	-
50	-	-	-	-	-	-	-	-	-
55	-	-	-	-	-	-	-	-	-
60	-	-	-	-	-	-	-	-	-
65	-	-	-	-	-	-	-	-	-

Mass flow in kg/h

30	-	-	-	-	-	-	-	-	-
35	-	-	-	-	-	-	-	-	-
40	-	-	-	-	-	-	-	-	-
45	-	-	-	-	-	-	-	-	-
50	-	-	-	-	-	-	-	-	-
55	-	-	-	-	-	-	-	-	-
60	-	-	-	-	-	-	-	-	-
65	-	-	-	-	-	-	-	-	-

Coefficient of performance (C.O.P.)

30	-	-	-	-	-	-	-	-	-
35	-	-	-	-	-	-	-	-	-
40	-	-	-	-	-	-	-	-	-
45	-	-	-	-	-	-	-	-	-
50	-	-	-	-	-	-	-	-	-
55	-	-	-	-	-	-	-	-	-
60	-	-	-	-	-	-	-	-	-
65	-	-	-	-	-	-	-	-	-

Nominal performance at to = 5 °C, tc = 50 °C

Cooling capacity	-	W
Power input	-	W
Current consumption	-	A
Mass flow	-	kg/h
C.O.P.	-	

Pressure switch settings

Maximum HP switch setting	30	bar(g)
Minimum LP switch setting	0.5	bar(g)
LP pump down setting	1	bar(g)

Sound power data

Sound power level	77	dB(A)
With accoustic hood	72	dB(A)

to: Evaporating temperature at dew point

tc: Condensing temperature at dew point

Rating conditions : Superheat = 10 K , Subcooling = 0 K

Tolerance according EN12900

Danfoss can accept no responsibility for possible errors in catalogues, brochures and other printed material. Danfoss reserves the right to alter its products without notice. This also applies to products already on order provided that such alternations can be made without subsequential changes being necessary in specifications already agreed. All trademarks in this material are property of the respective companies. Danfoss and the Danfoss logotype are trademarks of Danfoss A/S. All rights reserved.

Performance data at 60 Hz, ARI rating conditions

R407C

Cond. temp. in °C (tc)	Evaporating temperature in °C (to)							
	-30	-25	-20	-15	-10	-5	0	5

Cooling capacity in W

30	-	-	-	-	-	-	-	-	-
35	-	-	-	-	-	-	-	-	-
40	-	-	-	-	-	-	-	-	-
45	-	-	-	-	-	-	-	-	-
50	-	-	-	-	-	-	-	-	-
55	-	-	-	-	-	-	-	-	-
60	-	-	-	-	-	-	-	-	-
65	-	-	-	-	-	-	-	-	-

Power input in W

30	-	-	-	-	-	-	-	-	-
35	-	-	-	-	-	-	-	-	-
40	-	-	-	-	-	-	-	-	-
45	-	-	-	-	-	-	-	-	-
50	-	-	-	-	-	-	-	-	-
55	-	-	-	-	-	-	-	-	-
60	-	-	-	-	-	-	-	-	-
65	-	-	-	-	-	-	-	-	-

Current consumption in A

30	-	-	-	-	-	-	-	-	-
35	-	-	-	-	-	-	-	-	-
40	-	-	-	-	-	-	-	-	-
45	-	-	-	-	-	-	-	-	-
50	-	-	-	-	-	-	-	-	-
55	-	-	-	-	-	-	-	-	-
60	-	-	-	-	-	-	-	-	-
65	-	-	-	-	-	-	-	-	-

Mass flow in kg/h

30	-	-	-	-	-	-	-	-	-
35	-	-	-	-	-	-	-	-	-
40	-	-	-	-	-	-	-	-	-
45	-	-	-	-	-	-	-	-	-
50	-	-	-	-	-	-	-	-	-
55	-	-	-	-	-	-	-	-	-
60	-	-	-	-	-	-	-	-	-
65	-	-	-	-	-	-	-	-	-

Coefficient of performance (C.O.P.)

30	-	-	-	-	-	-	-	-	-
35	-	-	-	-	-	-	-	-	-
40	-	-	-	-	-	-	-	-	-
45	-	-	-	-	-	-	-	-	-
50	-	-	-	-	-	-	-	-	-
55	-	-	-	-	-	-	-	-	-
60	-	-	-	-	-	-	-	-	-
65	-	-	-	-	-	-	-	-	-

Nominal performance at to = 7.2 °C, tc = 54.4 °C

Cooling capacity	-	W
Power input	-	W
Current consumption	-	A
Mass flow	-	kg/h
C.O.P.	-	

Pressure switch settings

Maximum HP switch setting	30	bar(g)
Minimum LP switch setting	0.5	bar(g)
LP pump down setting	1	bar(g)

Sound power data

Sound power level	77	dB(A)
With accoustic hood	72	dB(A)

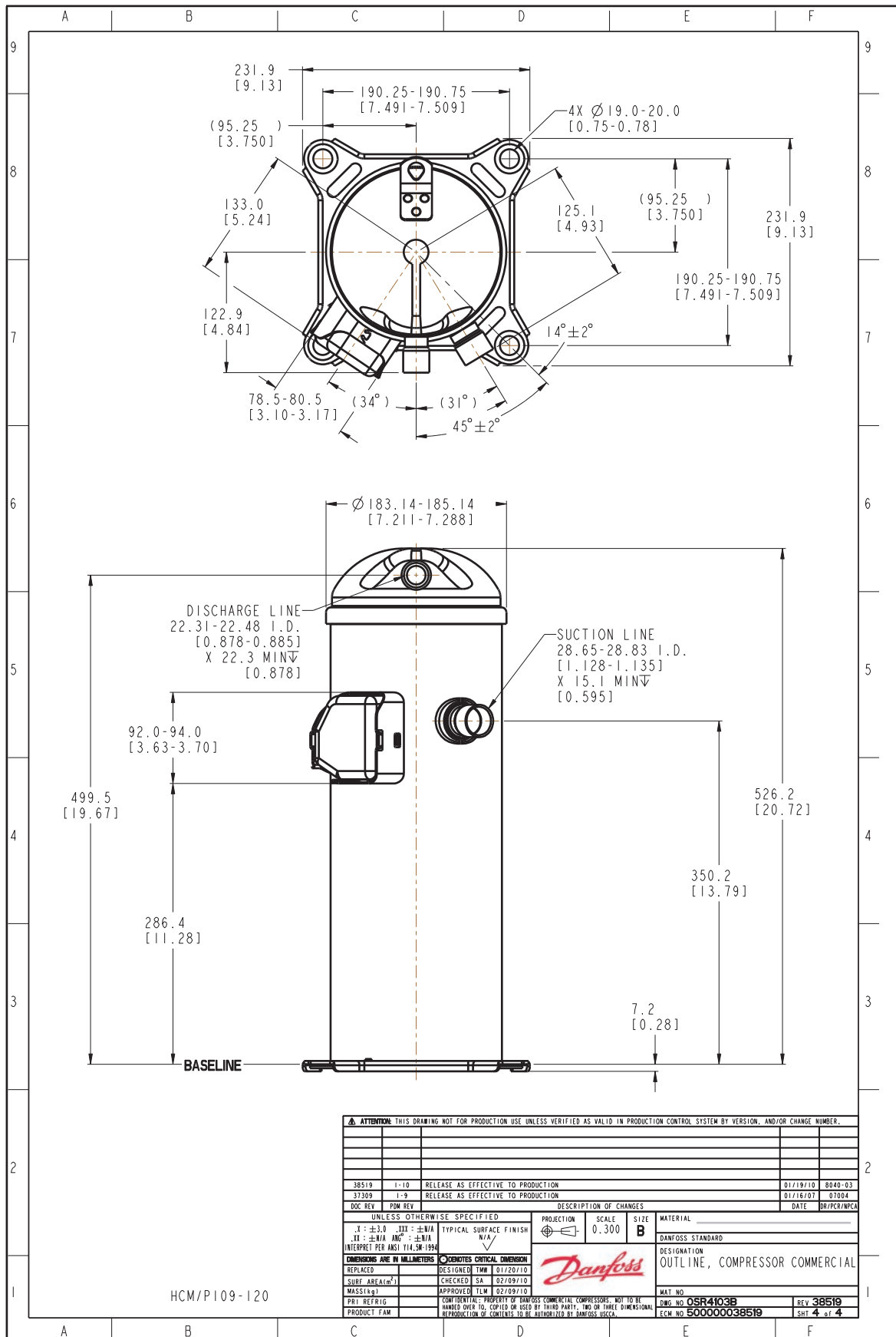
to: Evaporating temperature at dew point

tc: Condensing temperature at dew point

Rating conditions : Superheat = 11.1 K , Subcooling = 8.3 K

Tolerance according EN12900

Danfoss can accept no responsibility for possible errors in catalogues, brochures and other printed material. Danfoss reserves the right to alter its products without notice. This also applies to products already on order provided that such alternations can be made without subsequential changes being necessary in specifications already agreed. All trademarks in this material are property of the respective companies. Danfoss and the Danfoss logotype are trademarks of Danfoss A/S. All rights reserved.



Danfoss can accept no responsibility for possible errors in catalogues, brochures and other printed material. Danfoss reserves the right to alter its products without notice. This also applies to products already on order provided that such alternations can be made without subsequential changes being necessary in specifications already agreed. All trademarks in this material are property of the respective companies. Danfoss, the Danfoss logotype and Maneurop are trademarks of Danfoss A/S. All rights reserved.