

ENGINEERING
TOMORROW

Danfoss

Datasheets

Danfoss scroll compressors **H series**



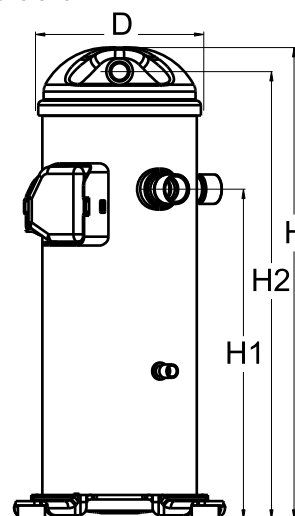
FRCC.UD.180315.142810

www.danfoss.com/odsg

General Characteristics

Model number (on compressor nameplate)		HCP120T4LC6
Code number for Singlepack*		120U0401
Code number for Industrial pack**		120U0398
Drawing number		0SR4103B-4
Suction and discharge connections		Brazed
Suction connection		1-1/8" ODF
Discharge connection		7/8" ODF
Oil sight glass		None
Oil equalisation connection		1/2"
Oil drain connection		None
LP gauge port		None
IPR valve		None
Swept volume		162.4 cm ³ /rev
Displacement @ Nominal speed		28.3 m ³ /h @ 2900 rpm - 34.1 m ³ /h @ 3500 rpm
Net weight		45.2 kg
Oil charge		2.66 litre, PVE --
Maximum system test pressure Low Side / High side		- bar(g) / - bar(g)
Maximum differential test pressure		- bar
Maximum number of starts per hour		-
Refrigerant charge limit		7.26 kg
Approved refrigerants		R407C

Dimensions

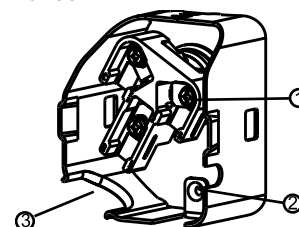


D=184 mm
H=545 mm
H1=369 mm
H2=519 mm
H3=- mm

Electrical Characteristics

Nominal voltage	380-415V/3/50Hz - 460V/3/60Hz
Voltage range	342-457 V @ 50Hz - 414-506 V @ 60Hz
Winding resistance between phases 1-2 +/- 7% at 25°C	1.125 Ω
Winding resistance between phases 1-3 +/- 7% at 25°C	1.110 Ω
Winding resistance between phases 2-3 +/- 7% at 25°C	1.100 Ω
Rated Load Amps (RLA)	19.2 A
Maximum Continuous Current (MCC)	25 A
Locked Rotor Amps (LRA)	140 A
Motor protection	Internal overload protector

Terminal box



IP22

- 1: Screw connectors 10-32 UNF x 9.5
- 2: Earth connection
- 3: Power cable passage

Recommended Installation torques

Oil sight glass	52.5 Nm
Power connections / Earth connection	3 Nm / 2 Nm

Parts shipped with compressor

Mounting kit with grommets and sleeves
Initial oil charge
Installation instructions

Approvals : CE certified, UL certified (file SA11565), -

*Singlepack: Compressor in cardboard box

**Industrial pack: 12 or 16 Unboxed compressors on pallet

Rotolock accessories, suction side
Code no.

Solder sleeve, P02 (1-3/4" Rotolock, 1-1/8" ODF)	8153004
Angle adapter, C02 (1-3/4" Rotolock, 1-1/8" ODF)	8168005
Rotolock valve, V02 (1-3/4" Rotolock, 1-1/8" ODF)	8168028
Gasket, 1-3/4"	8156132

Rotolock accessories, discharge side
Code no.

Rotolock valve, V05 (1-1/4" Rotolock, 7/8" ODF)	8168030
Gasket, 1-3/4"	8156132

Rotolock accessories, sets
Code no.

Solder sleeve adapter set (1-3/4" Rotolock, 1-1/8" ODF), (1-1/4" Rotolock, 7/8" ODF)	120Z0125
Valve set, V02(1"3/4~1"1/8), V05(1"1/4~7/8")	120Z0403
Gasket set, 1", 1-1/4", 1-3/4", OSG gaskets black & white	8156009

Oil / lubricants
Code no.

PVE lubricant, 320HV (FVC68D), 1 litre can	120Z5034
--	----------

Crankcase heaters
Code no.

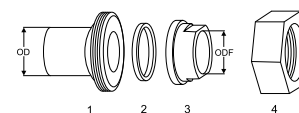
Belt type crankcase heater, 65 W, 230 V, CE mark, UL	120Z0059
Belt type crankcase heater, 65 W, 400 V, CE mark, UL	120Z0060
Belt type crankcase heater, 70 W, 240 V, CE mark, UL	120Z5040
Belt type crankcase heater, 70 W, 240 V, CE mark, UL	120Z5040

Miscellaneous accessories
Code no.

Acoustic hood	120Z5045
Discharge thermostat kit	7750009
IP54 upgrade kit	118U0057

Spare parts
Code no.

Mounting kit for 1 scroll compressor including 4 grommets, 4 sleeves, 4 bolts, 4 washers	120Z5005
Mounting kit, including 1 bolt, 1 sleeve, 1 washer	120Z5031
Terminal box cover	120Z5018

Solder sleeve adapter set


- 1: Rotolock adapter (Suc & Dis)
- 2: Gasket (Suc & Dis)
- 3: Solder sleeve (Suc & Dis)
- 4: Rotolock nut (Suc & Dis)

Performance data at 50 Hz, EN 12900 rating conditions

R407C

Cond. temp. in °C (tc)	Evaporating temperature in °C (to)							
	-30	-25	-20	-15	-10	-5	0	5

Cooling capacity in W

30	-	8 773	11 267	14 335	17 945	22 062	26 653	31 683	37 118
35	-	8 319	10 525	13 361	16 796	20 795	25 325	30 352	35 842
40	-	8 044	9 901	12 444	15 640	19 456	23 860	28 818	34 296
45	-	-	9 419	11 607	14 501	18 071	22 283	27 106	32 505
50	-	-	-	10 872	13 404	16 665	20 621	25 243	30 497
55	-	-	-	-	12 372	15 262	18 900	23 255	28 296
60	-	-	-	-	-	13 885	17 142	21 166	25 928
65	-	-	-	-	-	-	15 369	18 999	23 415

Power input in W

30	-	4 973	5 090	5 171	5 233	5 291	5 365	5 469	5 622
35	-	5 488	5 642	5 745	5 812	5 862	5 911	5 976	6 074
40	-	6 022	6 224	6 358	6 443	6 495	6 530	6 566	6 619
45	-	-	6 853	7 030	7 142	7 206	7 238	7 256	7 275
50	-	-	-	7 778	7 928	8 014	8 054	8 063	8 059
55	-	-	-	-	8 818	8 937	8 994	9 006	8 990
60	-	-	-	-	-	9 993	10 078	10 103	10 084
65	-	-	-	-	-	-	11 323	11 371	11 360

Current consumption in A

30	-	12.86	12.95	13.04	13.13	13.22	13.30	13.37	13.42
35	-	13.66	13.72	13.78	13.85	13.93	14.00	14.06	14.11
40	-	14.53	14.56	14.60	14.65	14.71	14.77	14.83	14.89
45	-	-	15.53	15.55	15.58	15.63	15.69	15.75	15.81
50	-	-	-	16.69	16.71	16.75	16.81	16.87	16.94
55	-	-	-	-	18.10	18.13	18.19	18.26	18.34
60	-	-	-	-	-	19.84	19.89	19.97	20.06
65	-	-	-	-	-	-	21.99	22.07	22.18

Mass flow in kg/h

30	-	199	249	309	379	460	553	659	779
35	-	196	246	306	375	455	547	652	771
40	-	192	242	300	369	449	540	644	762
45	-	-	235	293	362	441	532	636	753
50	-	-	-	284	352	431	522	626	743
55	-	-	-	-	339	419	510	613	731
60	-	-	-	-	-	403	494	598	716
65	-	-	-	-	-	-	475	580	698

Coefficient of performance (C.O.P.)

30	-	1.76	2.21	2.77	3.43	4.17	4.97	5.79	6.60
35	-	1.52	1.87	2.33	2.89	3.55	4.28	5.08	5.90
40	-	1.34	1.59	1.96	2.43	3.00	3.65	4.39	5.18
45	-	-	1.37	1.65	2.03	2.51	3.08	3.74	4.47
50	-	-	-	1.40	1.69	2.08	2.56	3.13	3.78
55	-	-	-	-	1.40	1.71	2.10	2.58	3.15
60	-	-	-	-	-	1.39	1.70	2.10	2.57
65	-	-	-	-	-	-	1.36	1.67	2.06

Nominal performance at to = 5 °C, tc = 50 °C

Cooling capacity	25 243	W
Power input	8 063	W
Current consumption	16.87	A
Mass flow	626	kg/h
C.O.P.	3.13	

Pressure switch settings

Maximum HP switch setting	30	bar(g)
Minimum LP switch setting	0.5	bar(g)
LP pump down setting	1	bar(g)

Sound power data

Sound power level	74	dB(A)
With acoustic hood	69	dB(A)

to: Evaporating temperature at dew point

tc: Condensing temperature at dew point

Rating conditions : Superheat = 10 K , Subcooling = 0 K

Tolerance according EN12900

Danfoss can accept no responsibility for possible errors in catalogues, brochures and other printed material. Danfoss reserves the right to alter its products without notice. This also applies to products already on order provided that such alternations can be made without subsequential changes being necessary in specifications already agreed. All trademarks in this material are property of the respective companies. Danfoss and the Danfoss logotype are trademarks of Danfoss A/S. All rights reserved.

Performance data at 50 Hz, ARI rating conditions
R407C

Cond. temp. in °C (tc)	Evaporating temperature in °C (to)							
	-30	-25	-20	-15	-10	-5	0	5

Cooling capacity in W

30	-	9 421	12 084	15 357	19 202	23 583	28 461	33 799	39 559
35	-	8 978	11 343	14 382	18 056	22 329	27 162	32 519	38 361
40	-	8 732	10 731	13 467	16 903	20 999	25 720	31 027	36 883
45	-	-	10 276	12 641	15 769	19 622	24 162	29 351	35 153
50	-	-	-	11 931	14 684	18 224	22 515	27 519	33 198
55	-	-	-	-	13 673	16 833	20 807	25 557	31 046
60	-	-	-	-	-	15 477	19 066	23 494	28 724
65	-	-	-	-	-	-	17 319	21 358	26 261

Power input in W

30	-	4 973	5 090	5 171	5 233	5 291	5 365	5 469	5 622
35	-	5 488	5 642	5 745	5 812	5 862	5 911	5 976	6 074
40	-	6 022	6 224	6 358	6 443	6 495	6 530	6 566	6 619
45	-	-	6 853	7 030	7 142	7 206	7 238	7 256	7 275
50	-	-	-	7 778	7 928	8 014	8 054	8 063	8 059
55	-	-	-	-	8 818	8 937	8 994	9 006	8 990
60	-	-	-	-	-	9 993	10 078	10 103	10 084
65	-	-	-	-	-	-	11 323	11 371	11 360

Current consumption in A

30	-	12.86	12.95	13.04	13.13	13.22	13.30	13.37	13.42
35	-	13.66	13.72	13.78	13.85	13.93	14.00	14.06	14.11
40	-	14.53	14.56	14.60	14.65	14.71	14.77	14.83	14.89
45	-	-	15.53	15.55	15.58	15.63	15.69	15.75	15.81
50	-	-	-	16.69	16.71	16.75	16.81	16.87	16.94
55	-	-	-	-	18.10	18.13	18.19	18.26	18.34
60	-	-	-	-	-	19.84	19.89	19.97	20.06
65	-	-	-	-	-	-	21.99	22.07	22.18

Mass flow in kg/h

30	-	198	248	308	377	458	550	655	774
35	-	195	245	304	373	452	544	648	766
40	-	191	241	299	367	446	537	641	758
45	-	-	234	292	360	439	529	632	749
50	-	-	-	282	350	429	519	622	739
55	-	-	-	-	337	416	507	610	726
60	-	-	-	-	-	401	491	595	712
65	-	-	-	-	-	-	472	576	694

Coefficient of performance (C.O.P.)

30	-	1.89	2.37	2.97	3.67	4.46	5.31	6.18	7.04
35	-	1.64	2.01	2.50	3.11	3.81	4.59	5.44	6.32
40	-	1.45	1.72	2.12	2.62	3.23	3.94	4.73	5.57
45	-	-	1.50	1.80	2.21	2.72	3.34	4.05	4.83
50	-	-	-	1.53	1.85	2.27	2.80	3.41	4.12
55	-	-	-	-	1.55	1.88	2.31	2.84	3.45
60	-	-	-	-	-	1.55	1.89	2.33	2.85
65	-	-	-	-	-	-	1.53	1.88	2.31

Nominal performance at to = 7.2 °C, tc = 54.4 °C

Cooling capacity	28 137	W
Power input	8 881	W
Current consumption	18.11	A
Mass flow	661	kg/h
C.O.P.	3.17	

Pressure switch settings

Maximum HP switch setting	30	bar(g)
Minimum LP switch setting	0.5	bar(g)
LP pump down setting	1	bar(g)

Sound power data

Sound power level	74	dB(A)
With acoustic hood	69	dB(A)

to: Evaporating temperature at dew point

tc: Condensing temperature at dew point

Rating conditions : Superheat = 11.1 K , Subcooling = 8.3 K

Tolerance according EN12900

Danfoss can accept no responsibility for possible errors in catalogues, brochures and other printed material. Danfoss reserves the right to alter its products without notice. This also applies to products already on order provided that such alternations can be made without subsequential changes being necessary in specifications already agreed. All trademarks in this material are property of the respective companies. Danfoss and the Danfoss logotype are trademarks of Danfoss A/S. All rights reserved.

Performance data at 50 Hz, EN 12900 rating conditions
R407C

Cond. temp. in °C (tc)	Evaporating temperature in °C (to)							
	-30	-25	-20	-15	-10	-5	0	5

Cooling capacity in W

30	-	8 773	11 267	14 335	17 945	22 062	26 653	31 683	37 118
35	-	8 319	10 525	13 361	16 796	20 795	25 325	30 352	35 842
40	-	8 044	9 901	12 444	15 640	19 456	23 860	28 818	34 296
45	-	-	9 419	11 607	14 501	18 071	22 283	27 106	32 505
50	-	-	-	10 872	13 404	16 665	20 621	25 243	30 497
55	-	-	-	-	12 372	15 262	18 900	23 255	28 296
60	-	-	-	-	-	13 885	17 142	21 166	25 928
65	-	-	-	-	-	-	15 369	18 999	23 415

Power input in W

30	-	4 973	5 090	5 171	5 233	5 291	5 365	5 469	5 622
35	-	5 488	5 642	5 745	5 812	5 862	5 911	5 976	6 074
40	-	6 022	6 224	6 358	6 443	6 495	6 530	6 566	6 619
45	-	-	6 853	7 030	7 142	7 206	7 238	7 256	7 275
50	-	-	-	7 778	7 928	8 014	8 054	8 063	8 059
55	-	-	-	-	8 818	8 937	8 994	9 006	8 990
60	-	-	-	-	-	9 993	10 078	10 103	10 084
65	-	-	-	-	-	-	11 323	11 371	11 360

Current consumption in A

30	-	12.86	12.95	13.04	13.13	13.22	13.30	13.37	13.42
35	-	13.66	13.72	13.78	13.85	13.93	14.00	14.06	14.11
40	-	14.53	14.56	14.60	14.65	14.71	14.77	14.83	14.89
45	-	-	15.53	15.55	15.58	15.63	15.69	15.75	15.81
50	-	-	-	16.69	16.71	16.75	16.81	16.87	16.94
55	-	-	-	-	18.10	18.13	18.19	18.26	18.34
60	-	-	-	-	-	19.84	19.89	19.97	20.06
65	-	-	-	-	-	-	21.99	22.07	22.18

Mass flow in kg/h

30	-	199	249	309	379	460	553	659	779
35	-	196	246	306	375	455	547	652	771
40	-	192	242	300	369	449	540	644	762
45	-	-	235	293	362	441	532	636	753
50	-	-	-	284	352	431	522	626	743
55	-	-	-	-	339	419	510	613	731
60	-	-	-	-	-	403	494	598	716
65	-	-	-	-	-	-	475	580	698

Coefficient of performance (C.O.P.)

30	-	1.76	2.21	2.77	3.43	4.17	4.97	5.79	6.60
35	-	1.52	1.87	2.33	2.89	3.55	4.28	5.08	5.90
40	-	1.34	1.59	1.96	2.43	3.00	3.65	4.39	5.18
45	-	-	1.37	1.65	2.03	2.51	3.08	3.74	4.47
50	-	-	-	1.40	1.69	2.08	2.56	3.13	3.78
55	-	-	-	-	1.40	1.71	2.10	2.58	3.15
60	-	-	-	-	-	1.39	1.70	2.10	2.57
65	-	-	-	-	-	-	1.36	1.67	2.06

Nominal performance at to = 5 °C, tc = 50 °C

Cooling capacity	25 243	W
Power input	8 063	W
Current consumption	16.87	A
Mass flow	626	kg/h
C.O.P.	3.13	

Pressure switch settings

Maximum HP switch setting	30	bar(g)
Minimum LP switch setting	0.5	bar(g)
LP pump down setting	1	bar(g)

Sound power data

Sound power level	74	dB(A)
With acoustic hood	69	dB(A)

to: Evaporating temperature at dew point

tc: Condensing temperature at dew point

Rating conditions : Superheat = 10 K, Subcooling = 0 K

Tolerance according EN12900

Danfoss can accept no responsibility for possible errors in catalogues, brochures and other printed material. Danfoss reserves the right to alter its products without notice. This also applies to products already on order provided that such alternations can be made without subsequential changes being necessary in specifications already agreed. All trademarks in this material are property of the respective companies. Danfoss and the Danfoss logotype are trademarks of Danfoss A/S. All rights reserved.

Performance data at 50 Hz, ARI rating conditions
R407C

Cond. temp. in °C (tc)	Evaporating temperature in °C (to)							
	-30	-25	-20	-15	-10	-5	0	5

Cooling capacity in W

30	-	9 421	12 084	15 357	19 202	23 583	28 461	33 799	39 559
35	-	8 978	11 343	14 382	18 056	22 329	27 162	32 519	38 361
40	-	8 732	10 731	13 467	16 903	20 999	25 720	31 027	36 883
45	-	-	10 276	12 641	15 769	19 622	24 162	29 351	35 153
50	-	-	-	11 931	14 684	18 224	22 515	27 519	33 198
55	-	-	-	-	13 673	16 833	20 807	25 557	31 046
60	-	-	-	-	-	15 477	19 066	23 494	28 724
65	-	-	-	-	-	-	17 319	21 358	26 261

Power input in W

30	-	4 973	5 090	5 171	5 233	5 291	5 365	5 469	5 622
35	-	5 488	5 642	5 745	5 812	5 862	5 911	5 976	6 074
40	-	6 022	6 224	6 358	6 443	6 495	6 530	6 566	6 619
45	-	-	6 853	7 030	7 142	7 206	7 238	7 256	7 275
50	-	-	-	7 778	7 928	8 014	8 054	8 063	8 059
55	-	-	-	-	8 818	8 937	8 994	9 006	8 990
60	-	-	-	-	-	9 993	10 078	10 103	10 084
65	-	-	-	-	-	-	11 323	11 371	11 360

Current consumption in A

30	-	12.86	12.95	13.04	13.13	13.22	13.30	13.37	13.42
35	-	13.66	13.72	13.78	13.85	13.93	14.00	14.06	14.11
40	-	14.53	14.56	14.60	14.65	14.71	14.77	14.83	14.89
45	-	-	15.53	15.55	15.58	15.63	15.69	15.75	15.81
50	-	-	-	16.69	16.71	16.75	16.81	16.87	16.94
55	-	-	-	-	18.10	18.13	18.19	18.26	18.34
60	-	-	-	-	-	19.84	19.89	19.97	20.06
65	-	-	-	-	-	-	21.99	22.07	22.18

Mass flow in kg/h

30	-	198	248	308	377	458	550	655	774
35	-	195	245	304	373	452	544	648	766
40	-	191	241	299	367	446	537	641	758
45	-	-	234	292	360	439	529	632	749
50	-	-	-	282	350	429	519	622	739
55	-	-	-	-	337	416	507	610	726
60	-	-	-	-	-	401	491	595	712
65	-	-	-	-	-	-	472	576	694

Coefficient of performance (C.O.P.)

30	-	1.89	2.37	2.97	3.67	4.46	5.31	6.18	7.04
35	-	1.64	2.01	2.50	3.11	3.81	4.59	5.44	6.32
40	-	1.45	1.72	2.12	2.62	3.23	3.94	4.73	5.57
45	-	-	1.50	1.80	2.21	2.72	3.34	4.05	4.83
50	-	-	-	1.53	1.85	2.27	2.80	3.41	4.12
55	-	-	-	-	1.55	1.88	2.31	2.84	3.45
60	-	-	-	-	-	1.55	1.89	2.33	2.85
65	-	-	-	-	-	-	1.53	1.88	2.31

Nominal performance at to = 7.2 °C, tc = 54.4 °C

Cooling capacity	28 137	W
Power input	8 881	W
Current consumption	18.11	A
Mass flow	661	kg/h
C.O.P.	3.17	

Pressure switch settings

Maximum HP switch setting	30	bar(g)
Minimum LP switch setting	0.5	bar(g)
LP pump down setting	1	bar(g)

Sound power data

Sound power level	74	dB(A)
With acoustic hood	69	dB(A)

to: Evaporating temperature at dew point

tc: Condensing temperature at dew point

Rating conditions : Superheat = 11.1 K , Subcooling = 8.3 K

Tolerance according EN12900

Danfoss can accept no responsibility for possible errors in catalogues, brochures and other printed material. Danfoss reserves the right to alter its products without notice. This also applies to products already on order provided that such alternations can be made without subsequential changes being necessary in specifications already agreed. All trademarks in this material are property of the respective companies. Danfoss and the Danfoss logotype are trademarks of Danfoss A/S. All rights reserved.

Performance data at 60 Hz, EN 12900 rating conditions

R407C

Cond. temp. in °C (tc)	Evaporating temperature in °C (to)							
	-30	-25	-20	-15	-10	-5	0	5

Cooling capacity in W

30	-	10 514	13 501	17 179	21 509	26 447	31 952	37 983	44 496
35	-	9 972	12 615	16 017	20 137	24 934	30 367	36 395	42 974
40	-	9 642	11 869	14 921	18 756	23 335	28 618	34 563	41 128
45	-	-	11 291	13 919	17 395	21 680	26 735	32 519	38 991
50	-	-	-	13 038	16 082	19 999	24 749	30 294	36 592
55	-	-	-	-	14 845	18 320	22 690	27 918	33 964
60	-	-	-	-	-	16 670	20 586	25 420	31 133
65	-	-	-	-	-	-	18 462	22 825	28 126

Power input in W

30	-	6 084	6 252	6 349	6 405	6 451	6 520	6 642	6 849
35	-	6 693	6 896	7 013	7 074	7 111	7 156	7 240	7 395
40	-	7 339	7 585	7 730	7 805	7 842	7 872	7 926	8 037
45	-	-	8 337	8 519	8 617	8 662	8 686	8 720	8 796
50	-	-	-	9 400	9 529	9 591	9 617	9 639	9 689
55	-	-	-	-	10 559	10 647	10 685	10 704	10 735
60	-	-	-	-	-	11 849	11 907	11 931	11 954
65	-	-	-	-	-	-	13 303	13 342	13 364

Current consumption in A

30	-	12.77	12.86	12.95	13.04	13.13	13.21	13.28	13.33
35	-	13.57	13.62	13.69	13.76	13.83	13.90	13.96	14.02
40	-	14.43	14.46	14.50	14.55	14.61	14.67	14.73	14.79
45	-	-	15.42	15.44	15.48	15.53	15.58	15.64	15.70
50	-	-	-	16.57	16.60	16.64	16.69	16.76	16.83
55	-	-	-	-	17.98	18.01	18.07	18.13	18.21
60	-	-	-	-	-	19.70	19.76	19.84	19.93
65	-	-	-	-	-	-	21.84	21.92	22.03

Mass flow in kg/h

30	-	238	299	371	455	552	663	790	933
35	-	236	295	366	449	546	656	782	924
40	-	231	290	360	443	538	648	773	914
45	-	-	282	352	434	529	638	763	904
50	-	-	-	340	422	517	627	751	891
55	-	-	-	-	407	502	612	736	877
60	-	-	-	-	-	484	593	718	859
65	-	-	-	-	-	-	571	696	838

Coefficient of performance (C.O.P.)

30	-	1.73	2.16	2.71	3.36	4.10	4.90	5.72	6.50
35	-	1.49	1.83	2.28	2.85	3.51	4.24	5.03	5.81
40	-	1.31	1.56	1.93	2.40	2.98	3.64	4.36	5.12
45	-	-	1.35	1.63	2.02	2.50	3.08	3.73	4.43
50	-	-	-	1.39	1.69	2.09	2.57	3.14	3.78
55	-	-	-	-	1.41	1.72	2.12	2.61	3.16
60	-	-	-	-	-	1.41	1.73	2.13	2.60
65	-	-	-	-	-	-	1.39	1.71	2.10

Nominal performance at to = 5 °C, tc = 50 °C

Cooling capacity	30 294	W
Power input	9 639	W
Current consumption	16.76	A
Mass flow	751	kg/h
C.O.P.	3.14	

Pressure switch settings

Maximum HP switch setting	30	bar(g)
Minimum LP switch setting	0.5	bar(g)
LP pump down setting	1	bar(g)

Sound power data

Sound power level	77	dB(A)
With acoustic hood	72	dB(A)

to: Evaporating temperature at dew point

tc: Condensing temperature at dew point

Rating conditions : Superheat = 10 K , Subcooling = 0 K

Tolerance according EN12900

Danfoss can accept no responsibility for possible errors in catalogues, brochures and other printed material. Danfoss reserves the right to alter its products without notice. This also applies to products already on order provided that such alternations can be made without subsequential changes being necessary in specifications already agreed. All trademarks in this material are property of the respective companies. Danfoss and the Danfoss logotype are trademarks of Danfoss A/S. All rights reserved.

Performance data at 60 Hz, ARI rating conditions

R407C

Cond. temp. in °C (tc)	Evaporating temperature in °C (to)							
	-30	-25	-20	-15	-10	-5	0	5

Cooling capacity in W

30	-	11 291	14 480	18 404	23 016	28 270	34 120	40 520	47 423
35	-	10 762	13 596	17 240	21 648	26 773	32 570	38 992	45 994
40	-	10 466	12 864	16 148	20 271	25 186	30 849	37 212	44 231
45	-	-	12 318	15 160	18 916	23 541	28 989	35 212	42 166
50	-	-	-	14 308	17 617	21 870	27 022	33 025	39 833
55	-	-	-	-	16 406	20 206	24 980	30 682	37 264
60	-	-	-	-	-	18 582	22 897	28 216	34 491
65	-	-	-	-	-	-	20 805	25 659	31 546

Power input in W

30	-	6 084	6 252	6 349	6 405	6 451	6 520	6 642	6 849
35	-	6 693	6 896	7 013	7 074	7 111	7 156	7 240	7 395
40	-	7 339	7 585	7 730	7 805	7 842	7 872	7 926	8 037
45	-	-	8 337	8 519	8 617	8 662	8 686	8 720	8 796
50	-	-	-	9 400	9 529	9 591	9 617	9 639	9 689
55	-	-	-	-	10 559	10 647	10 685	10 704	10 735
60	-	-	-	-	-	11 849	11 907	11 931	11 954
65	-	-	-	-	-	-	13 303	13 342	13 364

Current consumption in A

30	-	12.77	12.86	12.95	13.04	13.13	13.21	13.28	13.33
35	-	13.57	13.62	13.69	13.76	13.83	13.90	13.96	14.02
40	-	14.43	14.46	14.50	14.55	14.61	14.67	14.73	14.79
45	-	-	15.42	15.44	15.48	15.53	15.58	15.64	15.70
50	-	-	-	16.57	16.60	16.64	16.69	16.76	16.83
55	-	-	-	-	17.98	18.01	18.07	18.13	18.21
60	-	-	-	-	-	19.70	19.76	19.84	19.93
65	-	-	-	-	-	-	21.84	21.92	22.03

Mass flow in kg/h

30	-	237	297	369	452	549	660	786	928
35	-	234	294	364	447	543	652	777	918
40	-	229	288	358	440	535	644	768	909
45	-	-	280	350	431	526	635	758	898
50	-	-	-	338	420	514	623	747	886
55	-	-	-	-	405	500	608	732	872
60	-	-	-	-	-	481	590	714	854
65	-	-	-	-	-	-	568	692	833

Coefficient of performance (C.O.P.)

30	-	1.86	2.32	2.90	3.59	4.38	5.23	6.10	6.92
35	-	1.61	1.97	2.46	3.06	3.77	4.55	5.39	6.22
40	-	1.43	1.70	2.09	2.60	3.21	3.92	4.69	5.50
45	-	-	1.48	1.78	2.20	2.72	3.34	4.04	4.79
50	-	-	-	1.52	1.85	2.28	2.81	3.43	4.11
55	-	-	-	-	1.55	1.90	2.34	2.87	3.47
60	-	-	-	-	-	1.57	1.92	2.36	2.89
65	-	-	-	-	-	-	1.56	1.92	2.36

Nominal performance at to = 7.2 °C, tc = 54.4 °C

Cooling capacity	33 775	W
Power input	10 579	W
Current consumption	17.99	A
Mass flow	793	kg/h
C.O.P.	3.19	

Pressure switch settings

Maximum HP switch setting	30	bar(g)
Minimum LP switch setting	0.5	bar(g)
LP pump down setting	1	bar(g)

Sound power data

Sound power level	77	dB(A)
With acoustic hood	72	dB(A)

to: Evaporating temperature at dew point

tc: Condensing temperature at dew point

Rating conditions : Superheat = 11.1 K , Subcooling = 8.3 K

Tolerance according EN12900

Danfoss can accept no responsibility for possible errors in catalogues, brochures and other printed material. Danfoss reserves the right to alter its products without notice. This also applies to products already on order provided that such alternations can be made without subsequential changes being necessary in specifications already agreed. All trademarks in this material are property of the respective companies. Danfoss and the Danfoss logotype are trademarks of Danfoss A/S. All rights reserved.

Performance data at 60 Hz, EN 12900 rating conditions

R407C

Cond. temp. in °C (tc)	Evaporating temperature in °C (to)							
	-30	-25	-20	-15	-10	-5	0	5

Cooling capacity in W

30	-	10 514	13 501	17 179	21 509	26 447	31 952	37 983	44 496
35	-	9 972	12 615	16 017	20 137	24 934	30 367	36 395	42 974
40	-	9 642	11 869	14 921	18 756	23 335	28 618	34 563	41 128
45	-	-	11 291	13 919	17 395	21 680	26 735	32 519	38 991
50	-	-	-	13 038	16 082	19 999	24 749	30 294	36 592
55	-	-	-	-	14 845	18 320	22 690	27 918	33 964
60	-	-	-	-	-	16 670	20 586	25 420	31 133
65	-	-	-	-	-	-	18 462	22 825	28 126

Power input in W

30	-	6 084	6 252	6 349	6 405	6 451	6 520	6 642	6 849
35	-	6 693	6 896	7 013	7 074	7 111	7 156	7 240	7 395
40	-	7 339	7 585	7 730	7 805	7 842	7 872	7 926	8 037
45	-	-	8 337	8 519	8 617	8 662	8 686	8 720	8 796
50	-	-	-	9 400	9 529	9 591	9 617	9 639	9 689
55	-	-	-	-	10 559	10 647	10 685	10 704	10 735
60	-	-	-	-	-	11 849	11 907	11 931	11 954
65	-	-	-	-	-	-	13 303	13 342	13 364

Current consumption in A

30	-	12.77	12.86	12.95	13.04	13.13	13.21	13.28	13.33
35	-	13.57	13.62	13.69	13.76	13.83	13.90	13.96	14.02
40	-	14.43	14.46	14.50	14.55	14.61	14.67	14.73	14.79
45	-	-	15.42	15.44	15.48	15.53	15.58	15.64	15.70
50	-	-	-	16.57	16.60	16.64	16.69	16.76	16.83
55	-	-	-	-	17.98	18.01	18.07	18.13	18.21
60	-	-	-	-	-	19.70	19.76	19.84	19.93
65	-	-	-	-	-	-	21.84	21.92	22.03

Mass flow in kg/h

30	-	238	299	371	455	552	663	790	933
35	-	236	295	366	449	546	656	782	924
40	-	231	290	360	443	538	648	773	914
45	-	-	282	352	434	529	638	763	904
50	-	-	-	340	422	517	627	751	891
55	-	-	-	-	407	502	612	736	877
60	-	-	-	-	-	484	593	718	859
65	-	-	-	-	-	-	571	696	838

Coefficient of performance (C.O.P.)

30	-	1.73	2.16	2.71	3.36	4.10	4.90	5.72	6.50
35	-	1.49	1.83	2.28	2.85	3.51	4.24	5.03	5.81
40	-	1.31	1.56	1.93	2.40	2.98	3.64	4.36	5.12
45	-	-	1.35	1.63	2.02	2.50	3.08	3.73	4.43
50	-	-	-	1.39	1.69	2.09	2.57	3.14	3.78
55	-	-	-	-	1.41	1.72	2.12	2.61	3.16
60	-	-	-	-	-	1.41	1.73	2.13	2.60
65	-	-	-	-	-	-	1.39	1.71	2.10

Nominal performance at to = 5 °C, tc = 50 °C

Cooling capacity	30 294	W
Power input	9 639	W
Current consumption	16.76	A
Mass flow	751	kg/h
C.O.P.	3.14	

Pressure switch settings

Maximum HP switch setting	30	bar(g)
Minimum LP switch setting	0.5	bar(g)
LP pump down setting	1	bar(g)

Sound power data

Sound power level	77	dB(A)
With acoustic hood	72	dB(A)

to: Evaporating temperature at dew point

tc: Condensing temperature at dew point

Rating conditions : Superheat = 10 K , Subcooling = 0 K

Tolerance according EN12900

Danfoss can accept no responsibility for possible errors in catalogues, brochures and other printed material. Danfoss reserves the right to alter its products without notice. This also applies to products already on order provided that such alternations can be made without subsequential changes being necessary in specifications already agreed. All trademarks in this material are property of the respective companies. Danfoss and the Danfoss logotype are trademarks of Danfoss A/S. All rights reserved.

Performance data at 60 Hz, ARI rating conditions

R407C

Cond. temp. in °C (tc)	Evaporating temperature in °C (to)							
	-30	-25	-20	-15	-10	-5	0	5

Cooling capacity in W

30	-	11 291	14 480	18 404	23 016	28 270	34 120	40 520	47 423
35	-	10 762	13 596	17 240	21 648	26 773	32 570	38 992	45 994
40	-	10 466	12 864	16 148	20 271	25 186	30 849	37 212	44 231
45	-	-	12 318	15 160	18 916	23 541	28 989	35 212	42 166
50	-	-	-	14 308	17 617	21 870	27 022	33 025	39 833
55	-	-	-	-	16 406	20 206	24 980	30 682	37 264
60	-	-	-	-	-	18 582	22 897	28 216	34 491
65	-	-	-	-	-	-	20 805	25 659	31 546

Power input in W

30	-	6 084	6 252	6 349	6 405	6 451	6 520	6 642	6 849
35	-	6 693	6 896	7 013	7 074	7 111	7 156	7 240	7 395
40	-	7 339	7 585	7 730	7 805	7 842	7 872	7 926	8 037
45	-	-	8 337	8 519	8 617	8 662	8 686	8 720	8 796
50	-	-	-	9 400	9 529	9 591	9 617	9 639	9 689
55	-	-	-	-	10 559	10 647	10 685	10 704	10 735
60	-	-	-	-	-	11 849	11 907	11 931	11 954
65	-	-	-	-	-	-	13 303	13 342	13 364

Current consumption in A

30	-	12.77	12.86	12.95	13.04	13.13	13.21	13.28	13.33
35	-	13.57	13.62	13.69	13.76	13.83	13.90	13.96	14.02
40	-	14.43	14.46	14.50	14.55	14.61	14.67	14.73	14.79
45	-	-	15.42	15.44	15.48	15.53	15.58	15.64	15.70
50	-	-	-	16.57	16.60	16.64	16.69	16.76	16.83
55	-	-	-	-	17.98	18.01	18.07	18.13	18.21
60	-	-	-	-	-	19.70	19.76	19.84	19.93
65	-	-	-	-	-	-	21.84	21.92	22.03

Mass flow in kg/h

30	-	237	297	369	452	549	660	786	928
35	-	234	294	364	447	543	652	777	918
40	-	229	288	358	440	535	644	768	909
45	-	-	280	350	431	526	635	758	898
50	-	-	-	338	420	514	623	747	886
55	-	-	-	-	405	500	608	732	872
60	-	-	-	-	-	481	590	714	854
65	-	-	-	-	-	-	568	692	833

Coefficient of performance (C.O.P.)

30	-	1.86	2.32	2.90	3.59	4.38	5.23	6.10	6.92
35	-	1.61	1.97	2.46	3.06	3.77	4.55	5.39	6.22
40	-	1.43	1.70	2.09	2.60	3.21	3.92	4.69	5.50
45	-	-	1.48	1.78	2.20	2.72	3.34	4.04	4.79
50	-	-	-	1.52	1.85	2.28	2.81	3.43	4.11
55	-	-	-	-	1.55	1.90	2.34	2.87	3.47
60	-	-	-	-	-	1.57	1.92	2.36	2.89
65	-	-	-	-	-	-	1.56	1.92	2.36

Nominal performance at to = 7.2 °C, tc = 54.4 °C

Cooling capacity	33 775	W
Power input	10 579	W
Current consumption	17.99	A
Mass flow	793	kg/h
C.O.P.	3.19	

Pressure switch settings

Maximum HP switch setting	30	bar(g)
Minimum LP switch setting	0.5	bar(g)
LP pump down setting	1	bar(g)

Sound power data

Sound power level	77	dB(A)
With acoustic hood	72	dB(A)

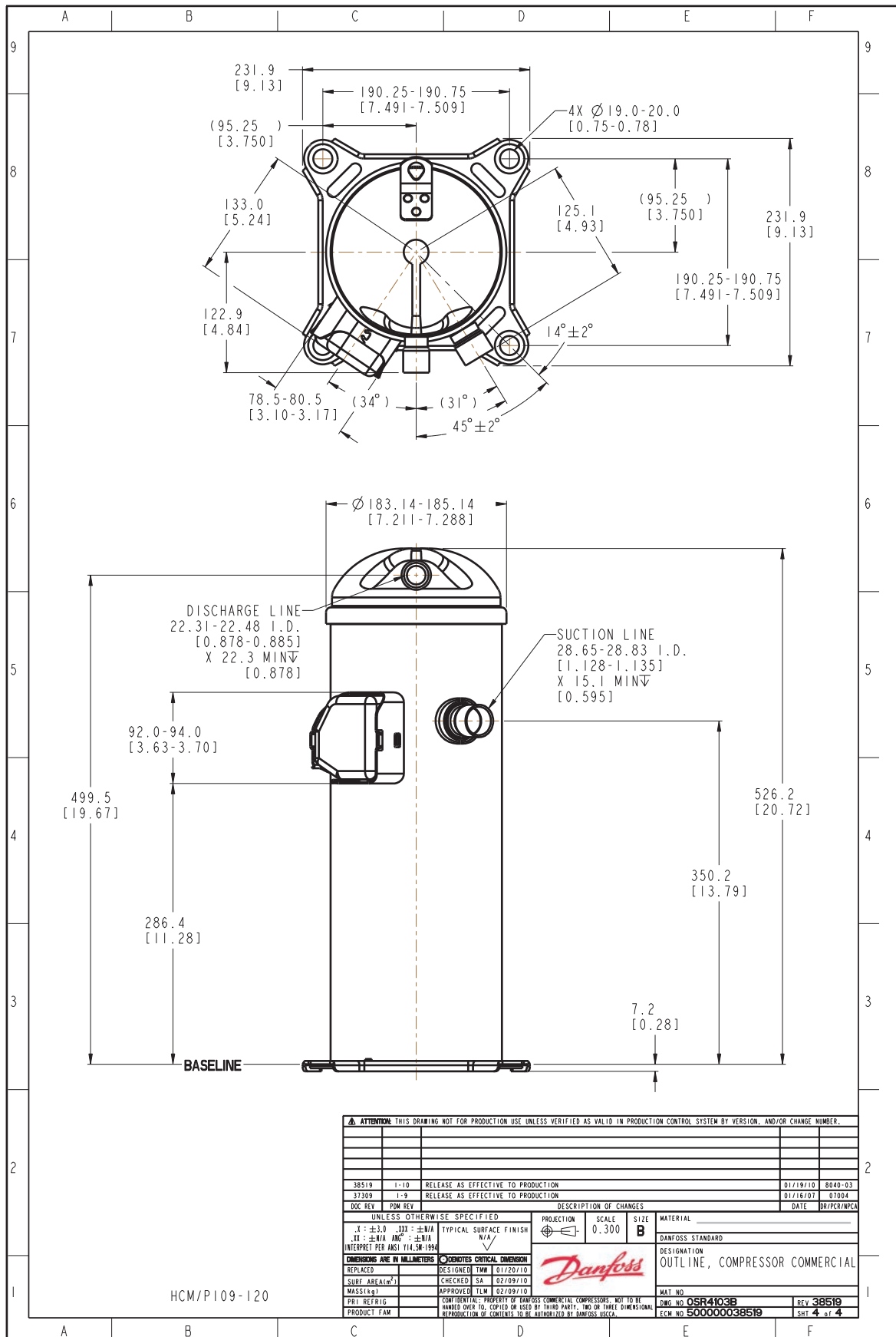
to: Evaporating temperature at dew point

tc: Condensing temperature at dew point

Rating conditions : Superheat = 11.1 K , Subcooling = 8.3 K

Tolerance according EN12900

Danfoss can accept no responsibility for possible errors in catalogues, brochures and other printed material. Danfoss reserves the right to alter its products without notice. This also applies to products already on order provided that such alternations can be made without subsequential changes being necessary in specifications already agreed. All trademarks in this material are property of the respective companies. Danfoss and the Danfoss logotype are trademarks of Danfoss A/S. All rights reserved.



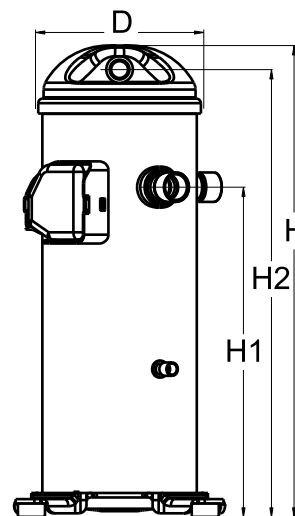
ATTENTION: THIS DRAWING NOT FOR PRODUCTION USE UNLESS VERIFIED AS VALID IN PRODUCTION CONTROL SYSTEM BY VERSION, AND/OR CHANGE NUMBER.			
38519	1-10	RELEASE AS EFFECTIVE TO PRODUCTION	01/19/10 8040-03
37309	1-9	RELEASE AS EFFECTIVE TO PRODUCTION	01/16/07 07004
DOC REV	FDW REV	DESCRIPTION OF CHANGES	DATE DR/PCR/NRCA
UNLESS OTHERWISE SPECIFIED		PROJECTION	MATERIAL
± 0.10	± 0.10	SCALE	DANFOSS STANDARD
± 0.10	± 0.10	0.300	OUTLINE, COMPRESSOR COMMERCIAL
± 0.10	± 0.10	SIZE	MAT NO
± 0.10	± 0.10	B	OSR4103B
DIMENSIONS ARE IN MILLIMETERS		CONFIDENTIAL: PROPERTY OF DANFOSS COMMERCIAL COMPRESSORS. NOT TO BE HANDED OVER TO, COPIED OR USED BY THIRD PARTY. TWO OR THREE DIMENSIONAL REPRODUCTION OF CONTENTS TO BE AUTHORIZED BY DANFOSS US/CA.	
REPLACED	DESIGNED TMM	01/20/10	REV 38519
SURF AREA (cm²)	CHECKED SA	02/09/10	ECM NO 500000038519
MASS (g)	APPROVED TLM	02/09/10	SHT 4 of 4
PRT REF RTG			
PRODUCT FAM			

HCM/PI09-120

General Characteristics

Model number (on compressor nameplate)		HCP120T4LC7
Code number for Singlepack*		120U0406
Code number for Industrial pack**		120U0403
Drawing number		0SR4103B-4
Suction and discharge connections		Brazed
Suction connection		1-1/8" ODF
Discharge connection		7/8" ODF
Oil sight glass		None
Oil equalisation connection		1/2"
Oil drain connection		None
LP gauge port		None
IPR valve		None
Swept volume		162.4 cm ³ /rev
Displacement @ Nominal speed		28.3 m ³ /h @ 2900 rpm - 34.1 m ³ /h @ 3500 rpm
Net weight		45.2 kg
Oil charge		2.66 litre, PVE --
Maximum system test pressure Low Side / High side		- bar(g) / - bar(g)
Maximum differential test pressure		- bar
Maximum number of starts per hour		-
Refrigerant charge limit		7.26 kg
Approved refrigerants		R407C

Dimensions

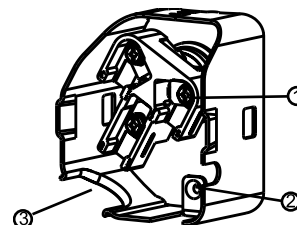


D=184 mm
H=545 mm
H1=369 mm
H2=519 mm
H3=- mm

Electrical Characteristics

Nominal voltage	380-415V/3/50Hz - 460V/3/60Hz
Voltage range	342-457 V @ 50Hz - 414-506 V @ 60Hz
Winding resistance between phases 1-2 +/- 7% at 25°C	1.125 Ω
Winding resistance between phases 1-3 +/- 7% at 25°C	1.110 Ω
Winding resistance between phases 2-3 +/- 7% at 25°C	1.100 Ω
Rated Load Amps (RLA)	19.2 A
Maximum Continuous Current (MCC)	25 A
Locked Rotor Amps (LRA)	140 A
Motor protection	Internal overload protector

Terminal box



IP22

- 1: Screw connectors 10-32 UNF x 9.5
- 2: Earth connection
- 3: Power cable passage

Recommended Installation torques

Oil sight glass	52.5 Nm
Power connections / Earth connection	3 Nm / 2 Nm

Parts shipped with compressor

Mounting kit with grommets and sleeves
Initial oil charge
Installation instructions

Approvals : CE certified, UL certified (file SA11565), -

*Singlepack: Compressor in cardboard box

**Industrial pack: 12 or 16 Unboxed compressors on pallet

Rotolock accessories, suction side
Code no.

Solder sleeve, P02 (1-3/4" Rotolock, 1-1/8" ODF)	8153004
Angle adapter, C02 (1-3/4" Rotolock, 1-1/8" ODF)	8168005
Rotolock valve, V02 (1-3/4" Rotolock, 1-1/8" ODF)	8168028
Gasket, 1-3/4"	8156132

Rotolock accessories, discharge side
Code no.

Rotolock valve, V05 (1-1/4" Rotolock, 7/8" ODF)	8168030
Gasket, 1-3/4"	8156132

Rotolock accessories, sets
Code no.

Solder sleeve adapter set (1-3/4" Rotolock, 1-1/8" ODF), (1-1/4" Rotolock, 7/8" ODF)	120Z0125
Valve set, V02(1"3/4~1"1/8), V05(1"1/4~7/8")	120Z0403
Gasket set, 1", 1-1/4", 1-3/4", OSG gaskets black & white	8156009

Oil / lubricants
Code no.

PVE lubricant, 320HV (FVC68D), 1 litre can	120Z5034
--	----------

Crankcase heaters
Code no.

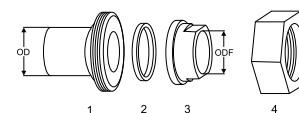
Belt type crankcase heater, 65 W, 230 V, CE mark, UL	120Z0059
Belt type crankcase heater, 65 W, 400 V, CE mark, UL	120Z0060
Belt type crankcase heater, 70 W, 240 V, CE mark, UL	120Z5040
Belt type crankcase heater, 70 W, 240 V, CE mark, UL	120Z5040

Miscellaneous accessories
Code no.

Acoustic hood	120Z5045
Discharge thermostat kit	7750009
IP54 upgrade kit	118U0057

Spare parts
Code no.

Mounting kit for 1 scroll compressor including 4 grommets, 4 sleeves, 4 bolts, 4 washers	120Z5005
Mounting kit, including 1 bolt, 1 sleeve, 1 washer	120Z5031
Terminal box cover	120Z5018

Solder sleeve adapter set


- 1: Rotolock adapter (Suc & Dis)
- 2: Gasket (Suc & Dis)
- 3: Solder sleeve (Suc & Dis)
- 4: Rotolock nut (Suc & Dis)

Performance data at 50 Hz, EN 12900 rating conditions
R407C

Cond. temp. in °C (tc)	Evaporating temperature in °C (to)							
	-30	-25	-20	-15	-10	-5	0	5

Cooling capacity in W

30	-	8 773	11 267	14 335	17 945	22 062	26 653	31 683	37 118
35	-	8 319	10 525	13 361	16 796	20 795	25 325	30 352	35 842
40	-	8 044	9 901	12 444	15 640	19 456	23 860	28 818	34 296
45	-	-	9 419	11 607	14 501	18 071	22 283	27 106	32 505
50	-	-	-	10 872	13 404	16 665	20 621	25 243	30 497
55	-	-	-	-	12 372	15 262	18 900	23 255	28 296
60	-	-	-	-	-	13 885	17 142	21 166	25 928
65	-	-	-	-	-	-	15 369	18 999	23 415

Power input in W

30	-	4 973	5 090	5 171	5 233	5 291	5 365	5 469	5 622
35	-	5 488	5 642	5 745	5 812	5 862	5 911	5 976	6 074
40	-	6 022	6 224	6 358	6 443	6 495	6 530	6 566	6 619
45	-	-	6 853	7 030	7 142	7 206	7 238	7 256	7 275
50	-	-	-	7 778	7 928	8 014	8 054	8 063	8 059
55	-	-	-	-	8 818	8 937	8 994	9 006	8 990
60	-	-	-	-	-	9 993	10 078	10 103	10 084
65	-	-	-	-	-	-	11 323	11 371	11 360

Current consumption in A

30	-	12.86	12.95	13.04	13.13	13.22	13.30	13.37	13.42
35	-	13.66	13.72	13.78	13.85	13.93	14.00	14.06	14.11
40	-	14.53	14.56	14.60	14.65	14.71	14.77	14.83	14.89
45	-	-	15.53	15.55	15.58	15.63	15.69	15.75	15.81
50	-	-	-	16.69	16.71	16.75	16.81	16.87	16.94
55	-	-	-	-	18.10	18.13	18.19	18.26	18.34
60	-	-	-	-	-	19.84	19.89	19.97	20.06
65	-	-	-	-	-	-	21.99	22.07	22.18

Mass flow in kg/h

30	-	199	249	309	379	460	553	659	779
35	-	196	246	306	375	455	547	652	771
40	-	192	242	300	369	449	540	644	762
45	-	-	235	293	362	441	532	636	753
50	-	-	-	284	352	431	522	626	743
55	-	-	-	-	339	419	510	613	731
60	-	-	-	-	-	403	494	598	716
65	-	-	-	-	-	-	475	580	698

Coefficient of performance (C.O.P.)

30	-	1.76	2.21	2.77	3.43	4.17	4.97	5.79	6.60
35	-	1.52	1.87	2.33	2.89	3.55	4.28	5.08	5.90
40	-	1.34	1.59	1.96	2.43	3.00	3.65	4.39	5.18
45	-	-	1.37	1.65	2.03	2.51	3.08	3.74	4.47
50	-	-	-	1.40	1.69	2.08	2.56	3.13	3.78
55	-	-	-	-	1.40	1.71	2.10	2.58	3.15
60	-	-	-	-	-	1.39	1.70	2.10	2.57
65	-	-	-	-	-	-	1.36	1.67	2.06

Nominal performance at to = 5 °C, tc = 50 °C

Cooling capacity	25 243	W
Power input	8 063	W
Current consumption	16.87	A
Mass flow	626	kg/h
C.O.P.	3.13	

Pressure switch settings

Maximum HP switch setting	30	bar(g)
Minimum LP switch setting	0.5	bar(g)
LP pump down setting	1	bar(g)

Sound power data

Sound power level	74	dB(A)
With acoustic hood	69	dB(A)

to: Evaporating temperature at dew point

tc: Condensing temperature at dew point

Rating conditions : Superheat = 10 K , Subcooling = 0 K

Tolerance according EN12900

Danfoss can accept no responsibility for possible errors in catalogues, brochures and other printed material. Danfoss reserves the right to alter its products without notice. This also applies to products already on order provided that such alternations can be made without subsequential changes being necessary in specifications already agreed. All trademarks in this material are property of the respective companies. Danfoss and the Danfoss logotype are trademarks of Danfoss A/S. All rights reserved.

Performance data at 50 Hz, ARI rating conditions

R407C

Cond. temp. in °C (tc)	Evaporating temperature in °C (to)							
	-30	-25	-20	-15	-10	-5	0	5

Cooling capacity in W

30	-	9 421	12 084	15 357	19 202	23 583	28 461	33 799	39 559
35	-	8 978	11 343	14 382	18 056	22 329	27 162	32 519	38 361
40	-	8 732	10 731	13 467	16 903	20 999	25 720	31 027	36 883
45	-	-	10 276	12 641	15 769	19 622	24 162	29 351	35 153
50	-	-	-	11 931	14 684	18 224	22 515	27 519	33 198
55	-	-	-	-	13 673	16 833	20 807	25 557	31 046
60	-	-	-	-	-	15 477	19 066	23 494	28 724
65	-	-	-	-	-	-	17 319	21 358	26 261

Power input in W

30	-	4 973	5 090	5 171	5 233	5 291	5 365	5 469	5 622
35	-	5 488	5 642	5 745	5 812	5 862	5 911	5 976	6 074
40	-	6 022	6 224	6 358	6 443	6 495	6 530	6 566	6 619
45	-	-	6 853	7 030	7 142	7 206	7 238	7 256	7 275
50	-	-	-	7 778	7 928	8 014	8 054	8 063	8 059
55	-	-	-	-	8 818	8 937	8 994	9 006	8 990
60	-	-	-	-	-	9 993	10 078	10 103	10 084
65	-	-	-	-	-	-	11 323	11 371	11 360

Current consumption in A

30	-	12.86	12.95	13.04	13.13	13.22	13.30	13.37	13.42
35	-	13.66	13.72	13.78	13.85	13.93	14.00	14.06	14.11
40	-	14.53	14.56	14.60	14.65	14.71	14.77	14.83	14.89
45	-	-	15.53	15.55	15.58	15.63	15.69	15.75	15.81
50	-	-	-	16.69	16.71	16.75	16.81	16.87	16.94
55	-	-	-	-	18.10	18.13	18.19	18.26	18.34
60	-	-	-	-	-	19.84	19.89	19.97	20.06
65	-	-	-	-	-	-	21.99	22.07	22.18

Mass flow in kg/h

30	-	198	248	308	377	458	550	655	774
35	-	195	245	304	373	452	544	648	766
40	-	191	241	299	367	446	537	641	758
45	-	-	234	292	360	439	529	632	749
50	-	-	-	282	350	429	519	622	739
55	-	-	-	-	337	416	507	610	726
60	-	-	-	-	-	401	491	595	712
65	-	-	-	-	-	-	472	576	694

Coefficient of performance (C.O.P.)

30	-	1.89	2.37	2.97	3.67	4.46	5.31	6.18	7.04
35	-	1.64	2.01	2.50	3.11	3.81	4.59	5.44	6.32
40	-	1.45	1.72	2.12	2.62	3.23	3.94	4.73	5.57
45	-	-	1.50	1.80	2.21	2.72	3.34	4.05	4.83
50	-	-	-	1.53	1.85	2.27	2.80	3.41	4.12
55	-	-	-	-	1.55	1.88	2.31	2.84	3.45
60	-	-	-	-	-	1.55	1.89	2.33	2.85
65	-	-	-	-	-	-	1.53	1.88	2.31

Nominal performance at to = 7.2 °C, tc = 54.4 °C

Cooling capacity	28 137	W
Power input	8 881	W
Current consumption	18.11	A
Mass flow	661	kg/h
C.O.P.	3.17	

Pressure switch settings

Maximum HP switch setting	30	bar(g)
Minimum LP switch setting	0.5	bar(g)
LP pump down setting	1	bar(g)

Sound power data

Sound power level	74	dB(A)
With acoustic hood	69	dB(A)

to: Evaporating temperature at dew point

tc: Condensing temperature at dew point

Rating conditions : Superheat = 11.1 K , Subcooling = 8.3 K

Tolerance according EN12900

Danfoss can accept no responsibility for possible errors in catalogues, brochures and other printed material. Danfoss reserves the right to alter its products without notice. This also applies to products already on order provided that such alternations can be made without subsequential changes being necessary in specifications already agreed. All trademarks in this material are property of the respective companies. Danfoss and the Danfoss logotype are trademarks of Danfoss A/S. All rights reserved.

Performance data at 50 Hz, EN 12900 rating conditions
R407C

Cond. temp. in °C (tc)	Evaporating temperature in °C (to)							
	-30	-25	-20	-15	-10	-5	0	5

Cooling capacity in W

30	-	8 773	11 267	14 335	17 945	22 062	26 653	31 683	37 118
35	-	8 319	10 525	13 361	16 796	20 795	25 325	30 352	35 842
40	-	8 044	9 901	12 444	15 640	19 456	23 860	28 818	34 296
45	-	-	9 419	11 607	14 501	18 071	22 283	27 106	32 505
50	-	-	-	10 872	13 404	16 665	20 621	25 243	30 497
55	-	-	-	-	12 372	15 262	18 900	23 255	28 296
60	-	-	-	-	-	13 885	17 142	21 166	25 928
65	-	-	-	-	-	-	15 369	18 999	23 415

Power input in W

30	-	4 973	5 090	5 171	5 233	5 291	5 365	5 469	5 622
35	-	5 488	5 642	5 745	5 812	5 862	5 911	5 976	6 074
40	-	6 022	6 224	6 358	6 443	6 495	6 530	6 566	6 619
45	-	-	6 853	7 030	7 142	7 206	7 238	7 256	7 275
50	-	-	-	7 778	7 928	8 014	8 054	8 063	8 059
55	-	-	-	-	8 818	8 937	8 994	9 006	8 990
60	-	-	-	-	-	9 993	10 078	10 103	10 084
65	-	-	-	-	-	-	11 323	11 371	11 360

Current consumption in A

30	-	12.86	12.95	13.04	13.13	13.22	13.30	13.37	13.42
35	-	13.66	13.72	13.78	13.85	13.93	14.00	14.06	14.11
40	-	14.53	14.56	14.60	14.65	14.71	14.77	14.83	14.89
45	-	-	15.53	15.55	15.58	15.63	15.69	15.75	15.81
50	-	-	-	16.69	16.71	16.75	16.81	16.87	16.94
55	-	-	-	-	18.10	18.13	18.19	18.26	18.34
60	-	-	-	-	-	19.84	19.89	19.97	20.06
65	-	-	-	-	-	-	21.99	22.07	22.18

Mass flow in kg/h

30	-	199	249	309	379	460	553	659	779
35	-	196	246	306	375	455	547	652	771
40	-	192	242	300	369	449	540	644	762
45	-	-	235	293	362	441	532	636	753
50	-	-	-	284	352	431	522	626	743
55	-	-	-	-	339	419	510	613	731
60	-	-	-	-	-	403	494	598	716
65	-	-	-	-	-	-	475	580	698

Coefficient of performance (C.O.P.)

30	-	1.76	2.21	2.77	3.43	4.17	4.97	5.79	6.60
35	-	1.52	1.87	2.33	2.89	3.55	4.28	5.08	5.90
40	-	1.34	1.59	1.96	2.43	3.00	3.65	4.39	5.18
45	-	-	1.37	1.65	2.03	2.51	3.08	3.74	4.47
50	-	-	-	1.40	1.69	2.08	2.56	3.13	3.78
55	-	-	-	-	1.40	1.71	2.10	2.58	3.15
60	-	-	-	-	-	1.39	1.70	2.10	2.57
65	-	-	-	-	-	-	1.36	1.67	2.06

Nominal performance at to = 5 °C, tc = 50 °C

Cooling capacity	25 243	W
Power input	8 063	W
Current consumption	16.87	A
Mass flow	626	kg/h
C.O.P.	3.13	

Pressure switch settings

Maximum HP switch setting	30	bar(g)
Minimum LP switch setting	0.5	bar(g)
LP pump down setting	1	bar(g)

Sound power data

Sound power level	74	dB(A)
With acoustic hood	69	dB(A)

to: Evaporating temperature at dew point

tc: Condensing temperature at dew point

Rating conditions : Superheat = 10 K , Subcooling = 0 K

Tolerance according EN12900

Danfoss can accept no responsibility for possible errors in catalogues, brochures and other printed material. Danfoss reserves the right to alter its products without notice. This also applies to products already on order provided that such alternations can be made without subsequential changes being necessary in specifications already agreed. All trademarks in this material are property of the respective companies. Danfoss and the Danfoss logotype are trademarks of Danfoss A/S. All rights reserved.

Performance data at 50 Hz, ARI rating conditions
R407C

Cond. temp. in °C (tc)	Evaporating temperature in °C (to)							
	-30	-25	-20	-15	-10	-5	0	5

Cooling capacity in W

30	-	9 421	12 084	15 357	19 202	23 583	28 461	33 799	39 559
35	-	8 978	11 343	14 382	18 056	22 329	27 162	32 519	38 361
40	-	8 732	10 731	13 467	16 903	20 999	25 720	31 027	36 883
45	-	-	10 276	12 641	15 769	19 622	24 162	29 351	35 153
50	-	-	-	11 931	14 684	18 224	22 515	27 519	33 198
55	-	-	-	-	13 673	16 833	20 807	25 557	31 046
60	-	-	-	-	-	15 477	19 066	23 494	28 724
65	-	-	-	-	-	-	17 319	21 358	26 261

Power input in W

30	-	4 973	5 090	5 171	5 233	5 291	5 365	5 469	5 622
35	-	5 488	5 642	5 745	5 812	5 862	5 911	5 976	6 074
40	-	6 022	6 224	6 358	6 443	6 495	6 530	6 566	6 619
45	-	-	6 853	7 030	7 142	7 206	7 238	7 256	7 275
50	-	-	-	7 778	7 928	8 014	8 054	8 063	8 059
55	-	-	-	-	8 818	8 937	8 994	9 006	8 990
60	-	-	-	-	-	9 993	10 078	10 103	10 084
65	-	-	-	-	-	-	11 323	11 371	11 360

Current consumption in A

30	-	12.86	12.95	13.04	13.13	13.22	13.30	13.37	13.42
35	-	13.66	13.72	13.78	13.85	13.93	14.00	14.06	14.11
40	-	14.53	14.56	14.60	14.65	14.71	14.77	14.83	14.89
45	-	-	15.53	15.55	15.58	15.63	15.69	15.75	15.81
50	-	-	-	16.69	16.71	16.75	16.81	16.87	16.94
55	-	-	-	-	18.10	18.13	18.19	18.26	18.34
60	-	-	-	-	-	19.84	19.89	19.97	20.06
65	-	-	-	-	-	-	21.99	22.07	22.18

Mass flow in kg/h

30	-	198	248	308	377	458	550	655	774
35	-	195	245	304	373	452	544	648	766
40	-	191	241	299	367	446	537	641	758
45	-	-	234	292	360	439	529	632	749
50	-	-	-	282	350	429	519	622	739
55	-	-	-	-	337	416	507	610	726
60	-	-	-	-	-	401	491	595	712
65	-	-	-	-	-	-	472	576	694

Coefficient of performance (C.O.P.)

30	-	1.89	2.37	2.97	3.67	4.46	5.31	6.18	7.04
35	-	1.64	2.01	2.50	3.11	3.81	4.59	5.44	6.32
40	-	1.45	1.72	2.12	2.62	3.23	3.94	4.73	5.57
45	-	-	1.50	1.80	2.21	2.72	3.34	4.05	4.83
50	-	-	-	1.53	1.85	2.27	2.80	3.41	4.12
55	-	-	-	-	1.55	1.88	2.31	2.84	3.45
60	-	-	-	-	-	1.55	1.89	2.33	2.85
65	-	-	-	-	-	-	1.53	1.88	2.31

Nominal performance at to = 7.2 °C, tc = 54.4 °C

Cooling capacity	28 137	W
Power input	8 881	W
Current consumption	18.11	A
Mass flow	661	kg/h
C.O.P.	3.17	

Pressure switch settings

Maximum HP switch setting	30	bar(g)
Minimum LP switch setting	0.5	bar(g)
LP pump down setting	1	bar(g)

Sound power data

Sound power level	74	dB(A)
With acoustic hood	69	dB(A)

to: Evaporating temperature at dew point

tc: Condensing temperature at dew point

Rating conditions : Superheat = 11.1 K , Subcooling = 8.3 K

Tolerance according EN12900

Danfoss can accept no responsibility for possible errors in catalogues, brochures and other printed material. Danfoss reserves the right to alter its products without notice. This also applies to products already on order provided that such alternations can be made without subsequential changes being necessary in specifications already agreed. All trademarks in this material are property of the respective companies. Danfoss and the Danfoss logotype are trademarks of Danfoss A/S. All rights reserved.

Performance data at 60 Hz, EN 12900 rating conditions

R407C

Cond. temp. in °C (tc)	Evaporating temperature in °C (to)							
	-30	-25	-20	-15	-10	-5	0	5

Cooling capacity in W

30	-	10 514	13 501	17 179	21 509	26 447	31 952	37 983	44 496
35	-	9 972	12 615	16 017	20 137	24 934	30 367	36 395	42 974
40	-	9 642	11 869	14 921	18 756	23 335	28 618	34 563	41 128
45	-	-	11 291	13 919	17 395	21 680	26 735	32 519	38 991
50	-	-	-	13 038	16 082	19 999	24 749	30 294	36 592
55	-	-	-	-	14 845	18 320	22 690	27 918	33 964
60	-	-	-	-	-	16 670	20 586	25 420	31 133
65	-	-	-	-	-	-	18 462	22 825	28 126

Power input in W

30	-	6 084	6 252	6 349	6 405	6 451	6 520	6 642	6 849
35	-	6 693	6 896	7 013	7 074	7 111	7 156	7 240	7 395
40	-	7 339	7 585	7 730	7 805	7 842	7 872	7 926	8 037
45	-	-	8 337	8 519	8 617	8 662	8 686	8 720	8 796
50	-	-	-	9 400	9 529	9 591	9 617	9 639	9 689
55	-	-	-	-	10 559	10 647	10 685	10 704	10 735
60	-	-	-	-	-	11 849	11 907	11 931	11 954
65	-	-	-	-	-	-	13 303	13 342	13 364

Current consumption in A

30	-	12.77	12.86	12.95	13.04	13.13	13.21	13.28	13.33
35	-	13.57	13.62	13.69	13.76	13.83	13.90	13.96	14.02
40	-	14.43	14.46	14.50	14.55	14.61	14.67	14.73	14.79
45	-	-	15.42	15.44	15.48	15.53	15.58	15.64	15.70
50	-	-	-	16.57	16.60	16.64	16.69	16.76	16.83
55	-	-	-	-	17.98	18.01	18.07	18.13	18.21
60	-	-	-	-	-	19.70	19.76	19.84	19.93
65	-	-	-	-	-	-	21.84	21.92	22.03

Mass flow in kg/h

30	-	238	299	371	455	552	663	790	933
35	-	236	295	366	449	546	656	782	924
40	-	231	290	360	443	538	648	773	914
45	-	-	282	352	434	529	638	763	904
50	-	-	-	340	422	517	627	751	891
55	-	-	-	-	407	502	612	736	877
60	-	-	-	-	-	484	593	718	859
65	-	-	-	-	-	-	571	696	838

Coefficient of performance (C.O.P.)

30	-	1.73	2.16	2.71	3.36	4.10	4.90	5.72	6.50
35	-	1.49	1.83	2.28	2.85	3.51	4.24	5.03	5.81
40	-	1.31	1.56	1.93	2.40	2.98	3.64	4.36	5.12
45	-	-	1.35	1.63	2.02	2.50	3.08	3.73	4.43
50	-	-	-	1.39	1.69	2.09	2.57	3.14	3.78
55	-	-	-	-	1.41	1.72	2.12	2.61	3.16
60	-	-	-	-	-	1.41	1.73	2.13	2.60
65	-	-	-	-	-	-	1.39	1.71	2.10

Nominal performance at to = 5 °C, tc = 50 °C

Cooling capacity	30 294	W
Power input	9 639	W
Current consumption	16.76	A
Mass flow	751	kg/h
C.O.P.	3.14	

Pressure switch settings

Maximum HP switch setting	30	bar(g)
Minimum LP switch setting	0.5	bar(g)
LP pump down setting	1	bar(g)

Sound power data

Sound power level	77	dB(A)
With acoustic hood	72	dB(A)

to: Evaporating temperature at dew point

tc: Condensing temperature at dew point

Rating conditions : Superheat = 10 K , Subcooling = 0 K

Tolerance according EN12900

Danfoss can accept no responsibility for possible errors in catalogues, brochures and other printed material. Danfoss reserves the right to alter its products without notice. This also applies to products already on order provided that such alternations can be made without subsequential changes being necessary in specifications already agreed. All trademarks in this material are property of the respective companies. Danfoss and the Danfoss logotype are trademarks of Danfoss A/S. All rights reserved.

Performance data at 60 Hz, ARI rating conditions

R407C

Cond. temp. in °C (tc)	Evaporating temperature in °C (to)							
	-30	-25	-20	-15	-10	-5	0	5

Cooling capacity in W

30	-	11 291	14 480	18 404	23 016	28 270	34 120	40 520	47 423
35	-	10 762	13 596	17 240	21 648	26 773	32 570	38 992	45 994
40	-	10 466	12 864	16 148	20 271	25 186	30 849	37 212	44 231
45	-	-	12 318	15 160	18 916	23 541	28 989	35 212	42 166
50	-	-	-	14 308	17 617	21 870	27 022	33 025	39 833
55	-	-	-	-	16 406	20 206	24 980	30 682	37 264
60	-	-	-	-	-	18 582	22 897	28 216	34 491
65	-	-	-	-	-	-	20 805	25 659	31 546

Power input in W

30	-	6 084	6 252	6 349	6 405	6 451	6 520	6 642	6 849
35	-	6 693	6 896	7 013	7 074	7 111	7 156	7 240	7 395
40	-	7 339	7 585	7 730	7 805	7 842	7 872	7 926	8 037
45	-	-	8 337	8 519	8 617	8 662	8 686	8 720	8 796
50	-	-	-	9 400	9 529	9 591	9 617	9 639	9 689
55	-	-	-	-	10 559	10 647	10 685	10 704	10 735
60	-	-	-	-	-	11 849	11 907	11 931	11 954
65	-	-	-	-	-	-	13 303	13 342	13 364

Current consumption in A

30	-	12.77	12.86	12.95	13.04	13.13	13.21	13.28	13.33
35	-	13.57	13.62	13.69	13.76	13.83	13.90	13.96	14.02
40	-	14.43	14.46	14.50	14.55	14.61	14.67	14.73	14.79
45	-	-	15.42	15.44	15.48	15.53	15.58	15.64	15.70
50	-	-	-	16.57	16.60	16.64	16.69	16.76	16.83
55	-	-	-	-	17.98	18.01	18.07	18.13	18.21
60	-	-	-	-	-	19.70	19.76	19.84	19.93
65	-	-	-	-	-	-	21.84	21.92	22.03

Mass flow in kg/h

30	-	237	297	369	452	549	660	786	928
35	-	234	294	364	447	543	652	777	918
40	-	229	288	358	440	535	644	768	909
45	-	-	280	350	431	526	635	758	898
50	-	-	-	338	420	514	623	747	886
55	-	-	-	-	405	500	608	732	872
60	-	-	-	-	-	481	590	714	854
65	-	-	-	-	-	-	568	692	833

Coefficient of performance (C.O.P.)

30	-	1.86	2.32	2.90	3.59	4.38	5.23	6.10	6.92
35	-	1.61	1.97	2.46	3.06	3.77	4.55	5.39	6.22
40	-	1.43	1.70	2.09	2.60	3.21	3.92	4.69	5.50
45	-	-	1.48	1.78	2.20	2.72	3.34	4.04	4.79
50	-	-	-	1.52	1.85	2.28	2.81	3.43	4.11
55	-	-	-	-	1.55	1.90	2.34	2.87	3.47
60	-	-	-	-	-	1.57	1.92	2.36	2.89
65	-	-	-	-	-	-	1.56	1.92	2.36

Nominal performance at to = 7.2 °C, tc = 54.4 °C

Cooling capacity	33 775	W
Power input	10 579	W
Current consumption	17.99	A
Mass flow	793	kg/h
C.O.P.	3.19	

Pressure switch settings

Maximum HP switch setting	30	bar(g)
Minimum LP switch setting	0.5	bar(g)
LP pump down setting	1	bar(g)

Sound power data

Sound power level	77	dB(A)
With acoustic hood	72	dB(A)

to: Evaporating temperature at dew point

tc: Condensing temperature at dew point

Rating conditions : Superheat = 11.1 K , Subcooling = 8.3 K

Tolerance according EN12900

Danfoss can accept no responsibility for possible errors in catalogues, brochures and other printed material. Danfoss reserves the right to alter its products without notice. This also applies to products already on order provided that such alternations can be made without subsequential changes being necessary in specifications already agreed. All trademarks in this material are property of the respective companies. Danfoss and the Danfoss logotype are trademarks of Danfoss A/S. All rights reserved.

Performance data at 60 Hz, EN 12900 rating conditions

R407C

Cond. temp. in °C (tc)	Evaporating temperature in °C (to)							
	-30	-25	-20	-15	-10	-5	0	5

Cooling capacity in W

30	-	10 514	13 501	17 179	21 509	26 447	31 952	37 983	44 496
35	-	9 972	12 615	16 017	20 137	24 934	30 367	36 395	42 974
40	-	9 642	11 869	14 921	18 756	23 335	28 618	34 563	41 128
45	-	-	11 291	13 919	17 395	21 680	26 735	32 519	38 991
50	-	-	-	13 038	16 082	19 999	24 749	30 294	36 592
55	-	-	-	-	14 845	18 320	22 690	27 918	33 964
60	-	-	-	-	-	16 670	20 586	25 420	31 133
65	-	-	-	-	-	-	18 462	22 825	28 126

Power input in W

30	-	6 084	6 252	6 349	6 405	6 451	6 520	6 642	6 849
35	-	6 693	6 896	7 013	7 074	7 111	7 156	7 240	7 395
40	-	7 339	7 585	7 730	7 805	7 842	7 872	7 926	8 037
45	-	-	8 337	8 519	8 617	8 662	8 686	8 720	8 796
50	-	-	-	9 400	9 529	9 591	9 617	9 639	9 689
55	-	-	-	-	10 559	10 647	10 685	10 704	10 735
60	-	-	-	-	-	11 849	11 907	11 931	11 954
65	-	-	-	-	-	-	13 303	13 342	13 364

Current consumption in A

30	-	12.77	12.86	12.95	13.04	13.13	13.21	13.28	13.33
35	-	13.57	13.62	13.69	13.76	13.83	13.90	13.96	14.02
40	-	14.43	14.46	14.50	14.55	14.61	14.67	14.73	14.79
45	-	-	15.42	15.44	15.48	15.53	15.58	15.64	15.70
50	-	-	-	16.57	16.60	16.64	16.69	16.76	16.83
55	-	-	-	-	17.98	18.01	18.07	18.13	18.21
60	-	-	-	-	-	19.70	19.76	19.84	19.93
65	-	-	-	-	-	-	21.84	21.92	22.03

Mass flow in kg/h

30	-	238	299	371	455	552	663	790	933
35	-	236	295	366	449	546	656	782	924
40	-	231	290	360	443	538	648	773	914
45	-	-	282	352	434	529	638	763	904
50	-	-	-	340	422	517	627	751	891
55	-	-	-	-	407	502	612	736	877
60	-	-	-	-	-	484	593	718	859
65	-	-	-	-	-	-	571	696	838

Coefficient of performance (C.O.P.)

30	-	1.73	2.16	2.71	3.36	4.10	4.90	5.72	6.50
35	-	1.49	1.83	2.28	2.85	3.51	4.24	5.03	5.81
40	-	1.31	1.56	1.93	2.40	2.98	3.64	4.36	5.12
45	-	-	1.35	1.63	2.02	2.50	3.08	3.73	4.43
50	-	-	-	1.39	1.69	2.09	2.57	3.14	3.78
55	-	-	-	-	1.41	1.72	2.12	2.61	3.16
60	-	-	-	-	-	1.41	1.73	2.13	2.60
65	-	-	-	-	-	-	1.39	1.71	2.10

Nominal performance at to = 5 °C, tc = 50 °C

Cooling capacity	30 294	W
Power input	9 639	W
Current consumption	16.76	A
Mass flow	751	kg/h
C.O.P.	3.14	

Pressure switch settings

Maximum HP switch setting	30	bar(g)
Minimum LP switch setting	0.5	bar(g)
LP pump down setting	1	bar(g)

Sound power data

Sound power level	77	dB(A)
With acoustic hood	72	dB(A)

to: Evaporating temperature at dew point

tc: Condensing temperature at dew point

Rating conditions : Superheat = 10 K , Subcooling = 0 K

Tolerance according EN12900

Danfoss can accept no responsibility for possible errors in catalogues, brochures and other printed material. Danfoss reserves the right to alter its products without notice. This also applies to products already on order provided that such alternations can be made without subsequential changes being necessary in specifications already agreed. All trademarks in this material are property of the respective companies. Danfoss and the Danfoss logotype are trademarks of Danfoss A/S. All rights reserved.

Performance data at 60 Hz, ARI rating conditions

R407C

Cond. temp. in °C (tc)	Evaporating temperature in °C (to)							
	-30	-25	-20	-15	-10	-5	0	5

Cooling capacity in W

30	-	11 291	14 480	18 404	23 016	28 270	34 120	40 520	47 423
35	-	10 762	13 596	17 240	21 648	26 773	32 570	38 992	45 994
40	-	10 466	12 864	16 148	20 271	25 186	30 849	37 212	44 231
45	-	-	12 318	15 160	18 916	23 541	28 989	35 212	42 166
50	-	-	-	14 308	17 617	21 870	27 022	33 025	39 833
55	-	-	-	-	16 406	20 206	24 980	30 682	37 264
60	-	-	-	-	-	18 582	22 897	28 216	34 491
65	-	-	-	-	-	-	20 805	25 659	31 546

Power input in W

30	-	6 084	6 252	6 349	6 405	6 451	6 520	6 642	6 849
35	-	6 693	6 896	7 013	7 074	7 111	7 156	7 240	7 395
40	-	7 339	7 585	7 730	7 805	7 842	7 872	7 926	8 037
45	-	-	8 337	8 519	8 617	8 662	8 686	8 720	8 796
50	-	-	-	9 400	9 529	9 591	9 617	9 639	9 689
55	-	-	-	-	10 559	10 647	10 685	10 704	10 735
60	-	-	-	-	-	11 849	11 907	11 931	11 954
65	-	-	-	-	-	-	13 303	13 342	13 364

Current consumption in A

30	-	12.77	12.86	12.95	13.04	13.13	13.21	13.28	13.33
35	-	13.57	13.62	13.69	13.76	13.83	13.90	13.96	14.02
40	-	14.43	14.46	14.50	14.55	14.61	14.67	14.73	14.79
45	-	-	15.42	15.44	15.48	15.53	15.58	15.64	15.70
50	-	-	-	16.57	16.60	16.64	16.69	16.76	16.83
55	-	-	-	-	17.98	18.01	18.07	18.13	18.21
60	-	-	-	-	-	19.70	19.76	19.84	19.93
65	-	-	-	-	-	-	21.84	21.92	22.03

Mass flow in kg/h

30	-	237	297	369	452	549	660	786	928
35	-	234	294	364	447	543	652	777	918
40	-	229	288	358	440	535	644	768	909
45	-	-	280	350	431	526	635	758	898
50	-	-	-	338	420	514	623	747	886
55	-	-	-	-	405	500	608	732	872
60	-	-	-	-	-	481	590	714	854
65	-	-	-	-	-	-	568	692	833

Coefficient of performance (C.O.P.)

30	-	1.86	2.32	2.90	3.59	4.38	5.23	6.10	6.92
35	-	1.61	1.97	2.46	3.06	3.77	4.55	5.39	6.22
40	-	1.43	1.70	2.09	2.60	3.21	3.92	4.69	5.50
45	-	-	1.48	1.78	2.20	2.72	3.34	4.04	4.79
50	-	-	-	1.52	1.85	2.28	2.81	3.43	4.11
55	-	-	-	-	1.55	1.90	2.34	2.87	3.47
60	-	-	-	-	-	1.57	1.92	2.36	2.89
65	-	-	-	-	-	-	1.56	1.92	2.36

Nominal performance at to = 7.2 °C, tc = 54.4 °C

Cooling capacity	33 775	W
Power input	10 579	W
Current consumption	17.99	A
Mass flow	793	kg/h
C.O.P.	3.19	

Pressure switch settings

Maximum HP switch setting	30	bar(g)
Minimum LP switch setting	0.5	bar(g)
LP pump down setting	1	bar(g)

Sound power data

Sound power level	77	dB(A)
With acoustic hood	72	dB(A)

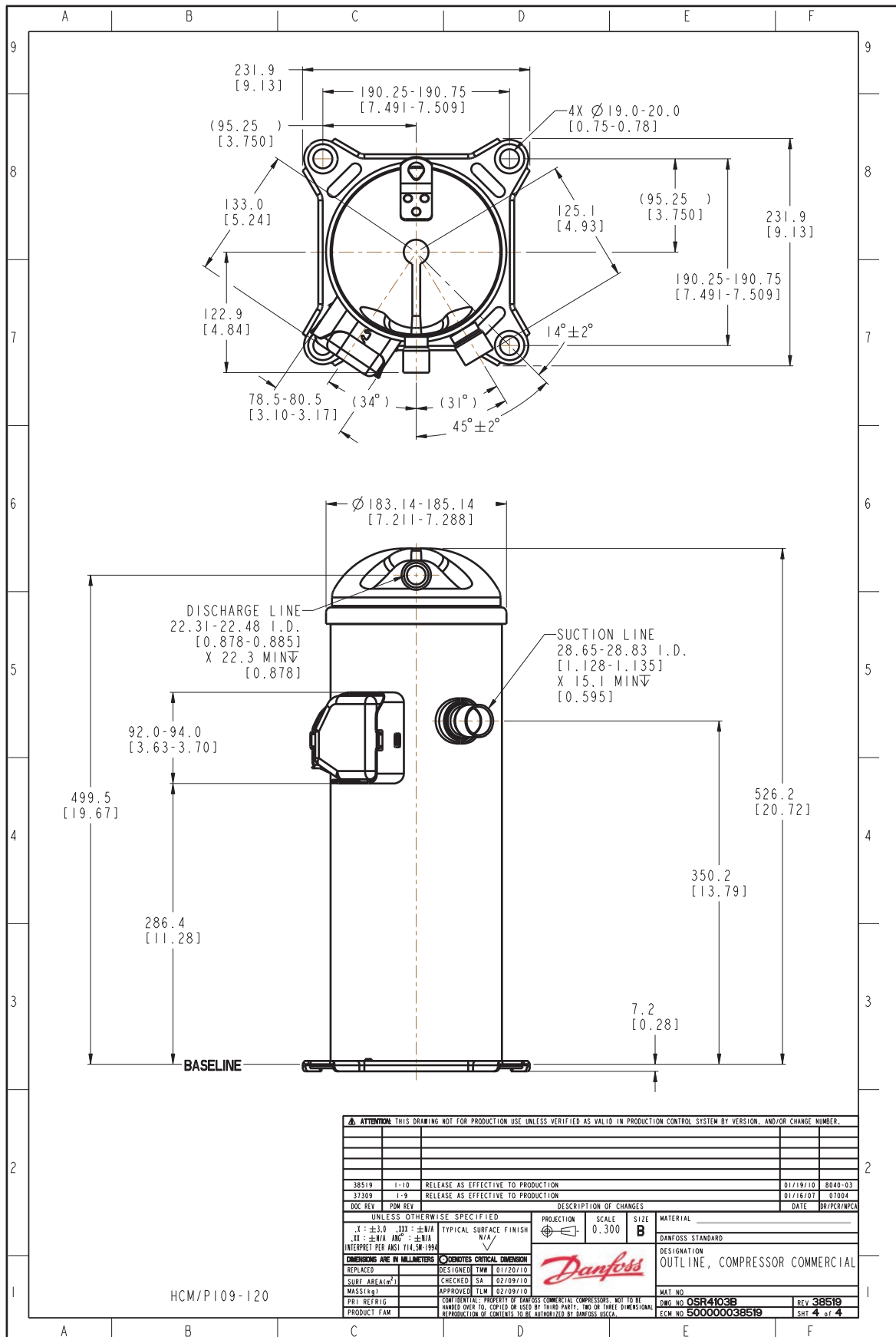
to: Evaporating temperature at dew point

tc: Condensing temperature at dew point

Rating conditions : Superheat = 11.1 K , Subcooling = 8.3 K

Tolerance according EN12900

Danfoss can accept no responsibility for possible errors in catalogues, brochures and other printed material. Danfoss reserves the right to alter its products without notice. This also applies to products already on order provided that such alternations can be made without subsequential changes being necessary in specifications already agreed. All trademarks in this material are property of the respective companies. Danfoss and the Danfoss logotype are trademarks of Danfoss A/S. All rights reserved.

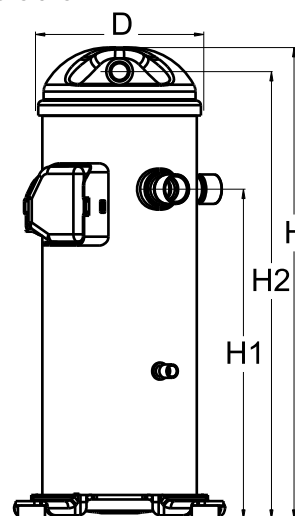


Danfoss can accept no responsibility for possible errors in catalogues, brochures and other printed material. Danfoss reserves the right to alter its products without notice. This also applies to products already on order provided that such alternations can be made without subsequential changes being necessary in specifications already agreed. All trademarks in this material are property of the respective companies. Danfoss, the Danfoss logotype and Maneurop are trademarks of Danfoss A/S. All rights reserved.

General Characteristics

Model number (on compressor nameplate)		HCP120T4LC8
Code number for Singlepack*		120U0411
Code number for Industrial pack**		120U0408
Drawing number		0SR4103B-4
Suction and discharge connections		Brazed
Suction connection		1-1/8" ODF
Discharge connection		7/8" ODF
Oil sight glass		None
Oil equalisation connection		1/2"
Oil drain connection		None
LP gauge port		None
IPR valve		None
Swept volume		162.4 cm ³ /rev
Displacement @ Nominal speed		28.3 m ³ /h @ 2900 rpm - 34.1 m ³ /h @ 3500 rpm
Net weight		45.2 kg
Oil charge		2.66 litre, PVE --
Maximum system test pressure Low Side / High side		- bar(g) / - bar(g)
Maximum differential test pressure		- bar
Maximum number of starts per hour		-
Refrigerant charge limit		7.26 kg
Approved refrigerants		R407C

Dimensions

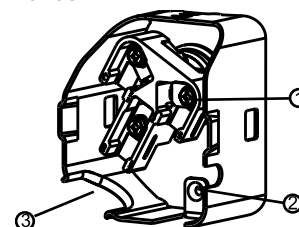


D=184 mm
H=545 mm
H1=369 mm
H2=519 mm
H3=- mm

Electrical Characteristics

Nominal voltage	380-415V/3/50Hz - 460V/3/60Hz
Voltage range	342-457 V @ 50Hz - 414-506 V @ 60Hz
Winding resistance between phases 1-2 +/- 7% at 25°C	1.125 Ω
Winding resistance between phases 1-3 +/- 7% at 25°C	1.110 Ω
Winding resistance between phases 2-3 +/- 7% at 25°C	1.100 Ω
Rated Load Amps (RLA)	19.2 A
Maximum Continuous Current (MCC)	25 A
Locked Rotor Amps (LRA)	140 A
Motor protection	Internal overload protector

Terminal box



IP22

- 1: Screw connectors 10-32 UNF x 9.5
- 2: Earth connection
- 3: Power cable passage

Recommended Installation torques

Oil sight glass	52.5 Nm
Power connections / Earth connection	3 Nm / 2 Nm

Parts shipped with compressor

Mounting kit with grommets and sleeves
Initial oil charge
Installation instructions

Approvals : CE certified, UL certified (file SA11565), -

*Singlepack: Compressor in cardboard box

**Industrial pack: 12 or 16 Unboxed compressors on pallet

Rotolock accessories, suction side
Code no.

Solder sleeve, P02 (1-3/4" Rotolock, 1-1/8" ODF)	8153004
Angle adapter, C02 (1-3/4" Rotolock, 1-1/8" ODF)	8168005
Rotolock valve, V02 (1-3/4" Rotolock, 1-1/8" ODF)	8168028
Gasket, 1-3/4"	8156132

Rotolock accessories, discharge side
Code no.

Rotolock valve, V05 (1-1/4" Rotolock, 7/8" ODF)	8168030
Gasket, 1-3/4"	8156132

Rotolock accessories, sets
Code no.

Solder sleeve adapter set (1-3/4" Rotolock, 1-1/8" ODF), (1-1/4" Rotolock, 7/8" ODF)	120Z0125
Valve set, V02(1"3/4~1"1/8), V05(1"1/4~7/8")	120Z0403
Gasket set, 1", 1-1/4", 1-3/4", OSG gaskets black & white	8156009

Oil / lubricants
Code no.

PVE lubricant, 320HV (FVC68D), 1 litre can	120Z5034
--	----------

Crankcase heaters
Code no.

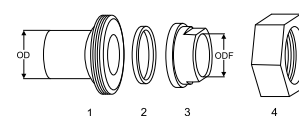
Belt type crankcase heater, 65 W, 230 V, CE mark, UL	120Z0059
Belt type crankcase heater, 65 W, 400 V, CE mark, UL	120Z0060
Belt type crankcase heater, 70 W, 240 V, CE mark, UL	120Z5040
Belt type crankcase heater, 70 W, 240 V, CE mark, UL	120Z5040

Miscellaneous accessories
Code no.

Acoustic hood	120Z5045
Discharge thermostat kit	7750009
IP54 upgrade kit	118U0057

Spare parts
Code no.

Mounting kit for 1 scroll compressor including 4 grommets, 4 sleeves, 4 bolts, 4 washers	120Z5005
Mounting kit, including 1 bolt, 1 sleeve, 1 washer	120Z5031
Terminal box cover	120Z5018

Solder sleeve adapter set


- 1: Rotolock adapter (Suc & Dis)
- 2: Gasket (Suc & Dis)
- 3: Solder sleeve (Suc & Dis)
- 4: Rotolock nut (Suc & Dis)

Performance data at 50 Hz, EN 12900 rating conditions
R407C

Cond. temp. in °C (tc)	Evaporating temperature in °C (to)							
	-30	-25	-20	-15	-10	-5	0	5

Cooling capacity in W

30	-	8 773	11 267	14 335	17 945	22 062	26 653	31 683	37 118
35	-	8 319	10 525	13 361	16 796	20 795	25 325	30 352	35 842
40	-	8 044	9 901	12 444	15 640	19 456	23 860	28 818	34 296
45	-	-	9 419	11 607	14 501	18 071	22 283	27 106	32 505
50	-	-	-	10 872	13 404	16 665	20 621	25 243	30 497
55	-	-	-	-	12 372	15 262	18 900	23 255	28 296
60	-	-	-	-	-	13 885	17 142	21 166	25 928
65	-	-	-	-	-	-	15 369	18 999	23 415

Power input in W

30	-	4 973	5 090	5 171	5 233	5 291	5 365	5 469	5 622
35	-	5 488	5 642	5 745	5 812	5 862	5 911	5 976	6 074
40	-	6 022	6 224	6 358	6 443	6 495	6 530	6 566	6 619
45	-	-	6 853	7 030	7 142	7 206	7 238	7 256	7 275
50	-	-	-	7 778	7 928	8 014	8 054	8 063	8 059
55	-	-	-	-	8 818	8 937	8 994	9 006	8 990
60	-	-	-	-	-	9 993	10 078	10 103	10 084
65	-	-	-	-	-	-	11 323	11 371	11 360

Current consumption in A

30	-	12.86	12.95	13.04	13.13	13.22	13.30	13.37	13.42
35	-	13.66	13.72	13.78	13.85	13.93	14.00	14.06	14.11
40	-	14.53	14.56	14.60	14.65	14.71	14.77	14.83	14.89
45	-	-	15.53	15.55	15.58	15.63	15.69	15.75	15.81
50	-	-	-	16.69	16.71	16.75	16.81	16.87	16.94
55	-	-	-	-	18.10	18.13	18.19	18.26	18.34
60	-	-	-	-	-	19.84	19.89	19.97	20.06
65	-	-	-	-	-	-	21.99	22.07	22.18

Mass flow in kg/h

30	-	199	249	309	379	460	553	659	779
35	-	196	246	306	375	455	547	652	771
40	-	192	242	300	369	449	540	644	762
45	-	-	235	293	362	441	532	636	753
50	-	-	-	284	352	431	522	626	743
55	-	-	-	-	339	419	510	613	731
60	-	-	-	-	-	403	494	598	716
65	-	-	-	-	-	-	475	580	698

Coefficient of performance (C.O.P.)

30	-	1.76	2.21	2.77	3.43	4.17	4.97	5.79	6.60
35	-	1.52	1.87	2.33	2.89	3.55	4.28	5.08	5.90
40	-	1.34	1.59	1.96	2.43	3.00	3.65	4.39	5.18
45	-	-	1.37	1.65	2.03	2.51	3.08	3.74	4.47
50	-	-	-	1.40	1.69	2.08	2.56	3.13	3.78
55	-	-	-	-	1.40	1.71	2.10	2.58	3.15
60	-	-	-	-	-	1.39	1.70	2.10	2.57
65	-	-	-	-	-	-	1.36	1.67	2.06

Nominal performance at to = 5 °C, tc = 50 °C

Cooling capacity	25 243	W
Power input	8 063	W
Current consumption	16.87	A
Mass flow	626	kg/h
C.O.P.	3.13	

Pressure switch settings

Maximum HP switch setting	30	bar(g)
Minimum LP switch setting	0.5	bar(g)
LP pump down setting	1	bar(g)

Sound power data

Sound power level	74	dB(A)
With acoustic hood	69	dB(A)

to: Evaporating temperature at dew point

tc: Condensing temperature at dew point

Rating conditions : Superheat = 10 K , Subcooling = 0 K

Tolerance according EN12900

Danfoss can accept no responsibility for possible errors in catalogues, brochures and other printed material. Danfoss reserves the right to alter its products without notice. This also applies to products already on order provided that such alternations can be made without subsequential changes being necessary in specifications already agreed. All trademarks in this material are property of the respective companies. Danfoss and the Danfoss logotype are trademarks of Danfoss A/S. All rights reserved.

Performance data at 50 Hz, ARI rating conditions
R407C

Cond. temp. in °C (tc)	Evaporating temperature in °C (to)							
	-30	-25	-20	-15	-10	-5	0	5

Cooling capacity in W

30	-	9 421	12 084	15 357	19 202	23 583	28 461	33 799	39 559
35	-	8 978	11 343	14 382	18 056	22 329	27 162	32 519	38 361
40	-	8 732	10 731	13 467	16 903	20 999	25 720	31 027	36 883
45	-	-	10 276	12 641	15 769	19 622	24 162	29 351	35 153
50	-	-	-	11 931	14 684	18 224	22 515	27 519	33 198
55	-	-	-	-	13 673	16 833	20 807	25 557	31 046
60	-	-	-	-	-	15 477	19 066	23 494	28 724
65	-	-	-	-	-	-	17 319	21 358	26 261

Power input in W

30	-	4 973	5 090	5 171	5 233	5 291	5 365	5 469	5 622
35	-	5 488	5 642	5 745	5 812	5 862	5 911	5 976	6 074
40	-	6 022	6 224	6 358	6 443	6 495	6 530	6 566	6 619
45	-	-	6 853	7 030	7 142	7 206	7 238	7 256	7 275
50	-	-	-	7 778	7 928	8 014	8 054	8 063	8 059
55	-	-	-	-	8 818	8 937	8 994	9 006	8 990
60	-	-	-	-	-	9 993	10 078	10 103	10 084
65	-	-	-	-	-	-	11 323	11 371	11 360

Current consumption in A

30	-	12.86	12.95	13.04	13.13	13.22	13.30	13.37	13.42
35	-	13.66	13.72	13.78	13.85	13.93	14.00	14.06	14.11
40	-	14.53	14.56	14.60	14.65	14.71	14.77	14.83	14.89
45	-	-	15.53	15.55	15.58	15.63	15.69	15.75	15.81
50	-	-	-	16.69	16.71	16.75	16.81	16.87	16.94
55	-	-	-	-	18.10	18.13	18.19	18.26	18.34
60	-	-	-	-	-	19.84	19.89	19.97	20.06
65	-	-	-	-	-	-	21.99	22.07	22.18

Mass flow in kg/h

30	-	198	248	308	377	458	550	655	774
35	-	195	245	304	373	452	544	648	766
40	-	191	241	299	367	446	537	641	758
45	-	-	234	292	360	439	529	632	749
50	-	-	-	282	350	429	519	622	739
55	-	-	-	-	337	416	507	610	726
60	-	-	-	-	-	401	491	595	712
65	-	-	-	-	-	-	472	576	694

Coefficient of performance (C.O.P.)

30	-	1.89	2.37	2.97	3.67	4.46	5.31	6.18	7.04
35	-	1.64	2.01	2.50	3.11	3.81	4.59	5.44	6.32
40	-	1.45	1.72	2.12	2.62	3.23	3.94	4.73	5.57
45	-	-	1.50	1.80	2.21	2.72	3.34	4.05	4.83
50	-	-	-	1.53	1.85	2.27	2.80	3.41	4.12
55	-	-	-	-	1.55	1.88	2.31	2.84	3.45
60	-	-	-	-	-	1.55	1.89	2.33	2.85
65	-	-	-	-	-	-	1.53	1.88	2.31

Nominal performance at to = 7.2 °C, tc = 54.4 °C

Cooling capacity	28 137	W
Power input	8 881	W
Current consumption	18.11	A
Mass flow	661	kg/h
C.O.P.	3.17	

Pressure switch settings

Maximum HP switch setting	30	bar(g)
Minimum LP switch setting	0.5	bar(g)
LP pump down setting	1	bar(g)

Sound power data

Sound power level	74	dB(A)
With acoustic hood	69	dB(A)

to: Evaporating temperature at dew point

tc: Condensing temperature at dew point

Rating conditions : Superheat = 11.1 K , Subcooling = 8.3 K

Tolerance according EN12900

Danfoss can accept no responsibility for possible errors in catalogues, brochures and other printed material. Danfoss reserves the right to alter its products without notice. This also applies to products already on order provided that such alternations can be made without subsequential changes being necessary in specifications already agreed. All trademarks in this material are property of the respective companies. Danfoss and the Danfoss logotype are trademarks of Danfoss A/S. All rights reserved.

Performance data at 50 Hz, EN 12900 rating conditions

R407C

Cond. temp. in °C (tc)	Evaporating temperature in °C (to)							
	-30	-25	-20	-15	-10	-5	0	5

Cooling capacity in W

30	-	8 773	11 267	14 335	17 945	22 062	26 653	31 683	37 118
35	-	8 319	10 525	13 361	16 796	20 795	25 325	30 352	35 842
40	-	8 044	9 901	12 444	15 640	19 456	23 860	28 818	34 296
45	-	-	9 419	11 607	14 501	18 071	22 283	27 106	32 505
50	-	-	-	10 872	13 404	16 665	20 621	25 243	30 497
55	-	-	-	-	12 372	15 262	18 900	23 255	28 296
60	-	-	-	-	-	13 885	17 142	21 166	25 928
65	-	-	-	-	-	-	15 369	18 999	23 415

Power input in W

30	-	4 973	5 090	5 171	5 233	5 291	5 365	5 469	5 622
35	-	5 488	5 642	5 745	5 812	5 862	5 911	5 976	6 074
40	-	6 022	6 224	6 358	6 443	6 495	6 530	6 566	6 619
45	-	-	6 853	7 030	7 142	7 206	7 238	7 256	7 275
50	-	-	-	7 778	7 928	8 014	8 054	8 063	8 059
55	-	-	-	-	8 818	8 937	8 994	9 006	8 990
60	-	-	-	-	-	9 993	10 078	10 103	10 084
65	-	-	-	-	-	-	11 323	11 371	11 360

Current consumption in A

30	-	12.86	12.95	13.04	13.13	13.22	13.30	13.37	13.42
35	-	13.66	13.72	13.78	13.85	13.93	14.00	14.06	14.11
40	-	14.53	14.56	14.60	14.65	14.71	14.77	14.83	14.89
45	-	-	15.53	15.55	15.58	15.63	15.69	15.75	15.81
50	-	-	-	16.69	16.71	16.75	16.81	16.87	16.94
55	-	-	-	-	18.10	18.13	18.19	18.26	18.34
60	-	-	-	-	-	19.84	19.89	19.97	20.06
65	-	-	-	-	-	-	21.99	22.07	22.18

Mass flow in kg/h

30	-	199	249	309	379	460	553	659	779
35	-	196	246	306	375	455	547	652	771
40	-	192	242	300	369	449	540	644	762
45	-	-	235	293	362	441	532	636	753
50	-	-	-	284	352	431	522	626	743
55	-	-	-	-	339	419	510	613	731
60	-	-	-	-	-	403	494	598	716
65	-	-	-	-	-	-	475	580	698

Coefficient of performance (C.O.P.)

30	-	1.76	2.21	2.77	3.43	4.17	4.97	5.79	6.60
35	-	1.52	1.87	2.33	2.89	3.55	4.28	5.08	5.90
40	-	1.34	1.59	1.96	2.43	3.00	3.65	4.39	5.18
45	-	-	1.37	1.65	2.03	2.51	3.08	3.74	4.47
50	-	-	-	1.40	1.69	2.08	2.56	3.13	3.78
55	-	-	-	-	1.40	1.71	2.10	2.58	3.15
60	-	-	-	-	-	1.39	1.70	2.10	2.57
65	-	-	-	-	-	-	1.36	1.67	2.06

Nominal performance at to = 5 °C, tc = 50 °C

Cooling capacity	25 243	W
Power input	8 063	W
Current consumption	16.87	A
Mass flow	626	kg/h
C.O.P.	3.13	

Pressure switch settings

Maximum HP switch setting	30	bar(g)
Minimum LP switch setting	0.5	bar(g)
LP pump down setting	1	bar(g)

Sound power data

Sound power level	74	dB(A)
With acoustic hood	69	dB(A)

to: Evaporating temperature at dew point

tc: Condensing temperature at dew point

Rating conditions : Superheat = 10 K , Subcooling = 0 K

Tolerance according EN12900

Danfoss can accept no responsibility for possible errors in catalogues, brochures and other printed material. Danfoss reserves the right to alter its products without notice. This also applies to products already on order provided that such alternations can be made without subsequential changes being necessary in specifications already agreed. All trademarks in this material are property of the respective companies. Danfoss and the Danfoss logotype are trademarks of Danfoss A/S. All rights reserved.

Performance data at 50 Hz, ARI rating conditions

R407C

Cond. temp. in °C (tc)	Evaporating temperature in °C (to)							
	-30	-25	-20	-15	-10	-5	0	5

Cooling capacity in W

30	-	9 421	12 084	15 357	19 202	23 583	28 461	33 799	39 559
35	-	8 978	11 343	14 382	18 056	22 329	27 162	32 519	38 361
40	-	8 732	10 731	13 467	16 903	20 999	25 720	31 027	36 883
45	-	-	10 276	12 641	15 769	19 622	24 162	29 351	35 153
50	-	-	-	11 931	14 684	18 224	22 515	27 519	33 198
55	-	-	-	-	13 673	16 833	20 807	25 557	31 046
60	-	-	-	-	-	15 477	19 066	23 494	28 724
65	-	-	-	-	-	-	17 319	21 358	26 261

Power input in W

30	-	4 973	5 090	5 171	5 233	5 291	5 365	5 469	5 622
35	-	5 488	5 642	5 745	5 812	5 862	5 911	5 976	6 074
40	-	6 022	6 224	6 358	6 443	6 495	6 530	6 566	6 619
45	-	-	6 853	7 030	7 142	7 206	7 238	7 256	7 275
50	-	-	-	7 778	7 928	8 014	8 054	8 063	8 059
55	-	-	-	-	8 818	8 937	8 994	9 006	8 990
60	-	-	-	-	-	9 993	10 078	10 103	10 084
65	-	-	-	-	-	-	11 323	11 371	11 360

Current consumption in A

30	-	12.86	12.95	13.04	13.13	13.22	13.30	13.37	13.42
35	-	13.66	13.72	13.78	13.85	13.93	14.00	14.06	14.11
40	-	14.53	14.56	14.60	14.65	14.71	14.77	14.83	14.89
45	-	-	15.53	15.55	15.58	15.63	15.69	15.75	15.81
50	-	-	-	16.69	16.71	16.75	16.81	16.87	16.94
55	-	-	-	-	18.10	18.13	18.19	18.26	18.34
60	-	-	-	-	-	19.84	19.89	19.97	20.06
65	-	-	-	-	-	-	21.99	22.07	22.18

Mass flow in kg/h

30	-	198	248	308	377	458	550	655	774
35	-	195	245	304	373	452	544	648	766
40	-	191	241	299	367	446	537	641	758
45	-	-	234	292	360	439	529	632	749
50	-	-	-	282	350	429	519	622	739
55	-	-	-	-	337	416	507	610	726
60	-	-	-	-	-	401	491	595	712
65	-	-	-	-	-	-	472	576	694

Coefficient of performance (C.O.P.)

30	-	1.89	2.37	2.97	3.67	4.46	5.31	6.18	7.04
35	-	1.64	2.01	2.50	3.11	3.81	4.59	5.44	6.32
40	-	1.45	1.72	2.12	2.62	3.23	3.94	4.73	5.57
45	-	-	1.50	1.80	2.21	2.72	3.34	4.05	4.83
50	-	-	-	1.53	1.85	2.27	2.80	3.41	4.12
55	-	-	-	-	1.55	1.88	2.31	2.84	3.45
60	-	-	-	-	-	1.55	1.89	2.33	2.85
65	-	-	-	-	-	-	1.53	1.88	2.31

Nominal performance at to = 7.2 °C, tc = 54.4 °C

Cooling capacity	28 137	W
Power input	8 881	W
Current consumption	18.11	A
Mass flow	661	kg/h
C.O.P.	3.17	

Pressure switch settings

Maximum HP switch setting	30	bar(g)
Minimum LP switch setting	0.5	bar(g)
LP pump down setting	1	bar(g)

Sound power data

Sound power level	74	dB(A)
With acoustic hood	69	dB(A)

to: Evaporating temperature at dew point

tc: Condensing temperature at dew point

Rating conditions : Superheat = 11.1 K , Subcooling = 8.3 K

Tolerance according EN12900

Danfoss can accept no responsibility for possible errors in catalogues, brochures and other printed material. Danfoss reserves the right to alter its products without notice. This also applies to products already on order provided that such alternations can be made without subsequential changes being necessary in specifications already agreed. All trademarks in this material are property of the respective companies. Danfoss and the Danfoss logotype are trademarks of Danfoss A/S. All rights reserved.

Performance data at 60 Hz, EN 12900 rating conditions

R407C

Cond. temp. in °C (tc)	Evaporating temperature in °C (to)							
	-30	-25	-20	-15	-10	-5	0	5

Cooling capacity in W

30	-	10 514	13 501	17 179	21 509	26 447	31 952	37 983	44 496
35	-	9 972	12 615	16 017	20 137	24 934	30 367	36 395	42 974
40	-	9 642	11 869	14 921	18 756	23 335	28 618	34 563	41 128
45	-	-	11 291	13 919	17 395	21 680	26 735	32 519	38 991
50	-	-	-	13 038	16 082	19 999	24 749	30 294	36 592
55	-	-	-	-	14 845	18 320	22 690	27 918	33 964
60	-	-	-	-	-	16 670	20 586	25 420	31 133
65	-	-	-	-	-	-	18 462	22 825	28 126

Power input in W

30	-	6 084	6 252	6 349	6 405	6 451	6 520	6 642	6 849
35	-	6 693	6 896	7 013	7 074	7 111	7 156	7 240	7 395
40	-	7 339	7 585	7 730	7 805	7 842	7 872	7 926	8 037
45	-	-	8 337	8 519	8 617	8 662	8 686	8 720	8 796
50	-	-	-	9 400	9 529	9 591	9 617	9 639	9 689
55	-	-	-	-	10 559	10 647	10 685	10 704	10 735
60	-	-	-	-	-	11 849	11 907	11 931	11 954
65	-	-	-	-	-	-	13 303	13 342	13 364

Current consumption in A

30	-	12.77	12.86	12.95	13.04	13.13	13.21	13.28	13.33
35	-	13.57	13.62	13.69	13.76	13.83	13.90	13.96	14.02
40	-	14.43	14.46	14.50	14.55	14.61	14.67	14.73	14.79
45	-	-	15.42	15.44	15.48	15.53	15.58	15.64	15.70
50	-	-	-	16.57	16.60	16.64	16.69	16.76	16.83
55	-	-	-	-	17.98	18.01	18.07	18.13	18.21
60	-	-	-	-	-	19.70	19.76	19.84	19.93
65	-	-	-	-	-	-	21.84	21.92	22.03

Mass flow in kg/h

30	-	238	299	371	455	552	663	790	933
35	-	236	295	366	449	546	656	782	924
40	-	231	290	360	443	538	648	773	914
45	-	-	282	352	434	529	638	763	904
50	-	-	-	340	422	517	627	751	891
55	-	-	-	-	407	502	612	736	877
60	-	-	-	-	-	484	593	718	859
65	-	-	-	-	-	-	571	696	838

Coefficient of performance (C.O.P.)

30	-	1.73	2.16	2.71	3.36	4.10	4.90	5.72	6.50
35	-	1.49	1.83	2.28	2.85	3.51	4.24	5.03	5.81
40	-	1.31	1.56	1.93	2.40	2.98	3.64	4.36	5.12
45	-	-	1.35	1.63	2.02	2.50	3.08	3.73	4.43
50	-	-	-	1.39	1.69	2.09	2.57	3.14	3.78
55	-	-	-	-	1.41	1.72	2.12	2.61	3.16
60	-	-	-	-	-	1.41	1.73	2.13	2.60
65	-	-	-	-	-	-	1.39	1.71	2.10

Nominal performance at to = 5 °C, tc = 50 °C

Cooling capacity	30 294	W
Power input	9 639	W
Current consumption	16.76	A
Mass flow	751	kg/h
C.O.P.	3.14	

Pressure switch settings

Maximum HP switch setting	30	bar(g)
Minimum LP switch setting	0.5	bar(g)
LP pump down setting	1	bar(g)

Sound power data

Sound power level	77	dB(A)
With acoustic hood	72	dB(A)

to: Evaporating temperature at dew point

tc: Condensing temperature at dew point

Rating conditions : Superheat = 10 K , Subcooling = 0 K

Tolerance according EN12900

Danfoss can accept no responsibility for possible errors in catalogues, brochures and other printed material. Danfoss reserves the right to alter its products without notice. This also applies to products already on order provided that such alternations can be made without subsequential changes being necessary in specifications already agreed. All trademarks in this material are property of the respective companies. Danfoss and the Danfoss logotype are trademarks of Danfoss A/S. All rights reserved.

Performance data at 60 Hz, ARI rating conditions
R407C

Cond. temp. in °C (tc)	Evaporating temperature in °C (to)							
	-30	-25	-20	-15	-10	-5	0	5

Cooling capacity in W

30	-	11 291	14 480	18 404	23 016	28 270	34 120	40 520	47 423
35	-	10 762	13 596	17 240	21 648	26 773	32 570	38 992	45 994
40	-	10 466	12 864	16 148	20 271	25 186	30 849	37 212	44 231
45	-	-	12 318	15 160	18 916	23 541	28 989	35 212	42 166
50	-	-	-	14 308	17 617	21 870	27 022	33 025	39 833
55	-	-	-	-	16 406	20 206	24 980	30 682	37 264
60	-	-	-	-	-	18 582	22 897	28 216	34 491
65	-	-	-	-	-	-	20 805	25 659	31 546

Power input in W

30	-	6 084	6 252	6 349	6 405	6 451	6 520	6 642	6 849
35	-	6 693	6 896	7 013	7 074	7 111	7 156	7 240	7 395
40	-	7 339	7 585	7 730	7 805	7 842	7 872	7 926	8 037
45	-	-	8 337	8 519	8 617	8 662	8 686	8 720	8 796
50	-	-	-	9 400	9 529	9 591	9 617	9 639	9 689
55	-	-	-	-	10 559	10 647	10 685	10 704	10 735
60	-	-	-	-	-	11 849	11 907	11 931	11 954
65	-	-	-	-	-	-	13 303	13 342	13 364

Current consumption in A

30	-	12.77	12.86	12.95	13.04	13.13	13.21	13.28	13.33
35	-	13.57	13.62	13.69	13.76	13.83	13.90	13.96	14.02
40	-	14.43	14.46	14.50	14.55	14.61	14.67	14.73	14.79
45	-	-	15.42	15.44	15.48	15.53	15.58	15.64	15.70
50	-	-	-	16.57	16.60	16.64	16.69	16.76	16.83
55	-	-	-	-	17.98	18.01	18.07	18.13	18.21
60	-	-	-	-	-	19.70	19.76	19.84	19.93
65	-	-	-	-	-	-	21.84	21.92	22.03

Mass flow in kg/h

30	-	237	297	369	452	549	660	786	928
35	-	234	294	364	447	543	652	777	918
40	-	229	288	358	440	535	644	768	909
45	-	-	280	350	431	526	635	758	898
50	-	-	-	338	420	514	623	747	886
55	-	-	-	-	405	500	608	732	872
60	-	-	-	-	-	481	590	714	854
65	-	-	-	-	-	-	568	692	833

Coefficient of performance (C.O.P.)

30	-	1.86	2.32	2.90	3.59	4.38	5.23	6.10	6.92
35	-	1.61	1.97	2.46	3.06	3.77	4.55	5.39	6.22
40	-	1.43	1.70	2.09	2.60	3.21	3.92	4.69	5.50
45	-	-	1.48	1.78	2.20	2.72	3.34	4.04	4.79
50	-	-	-	1.52	1.85	2.28	2.81	3.43	4.11
55	-	-	-	-	1.55	1.90	2.34	2.87	3.47
60	-	-	-	-	-	1.57	1.92	2.36	2.89
65	-	-	-	-	-	-	1.56	1.92	2.36

Nominal performance at to = 7.2 °C, tc = 54.4 °C

Cooling capacity	33 775	W
Power input	10 579	W
Current consumption	17.99	A
Mass flow	793	kg/h
C.O.P.	3.19	

Pressure switch settings

Maximum HP switch setting	30	bar(g)
Minimum LP switch setting	0.5	bar(g)
LP pump down setting	1	bar(g)

Sound power data

Sound power level	77	dB(A)
With acoustic hood	72	dB(A)

to: Evaporating temperature at dew point

tc: Condensing temperature at dew point

Rating conditions : Superheat = 11.1 K , Subcooling = 8.3 K

Tolerance according EN12900

Danfoss can accept no responsibility for possible errors in catalogues, brochures and other printed material. Danfoss reserves the right to alter its products without notice. This also applies to products already on order provided that such alternations can be made without subsequential changes being necessary in specifications already agreed. All trademarks in this material are property of the respective companies. Danfoss and the Danfoss logotype are trademarks of Danfoss A/S. All rights reserved.

Performance data at 60 Hz, EN 12900 rating conditions

R407C

Cond. temp. in °C (tc)	Evaporating temperature in °C (to)							
	-30	-25	-20	-15	-10	-5	0	5

Cooling capacity in W

30	-	10 514	13 501	17 179	21 509	26 447	31 952	37 983	44 496
35	-	9 972	12 615	16 017	20 137	24 934	30 367	36 395	42 974
40	-	9 642	11 869	14 921	18 756	23 335	28 618	34 563	41 128
45	-	-	11 291	13 919	17 395	21 680	26 735	32 519	38 991
50	-	-	-	13 038	16 082	19 999	24 749	30 294	36 592
55	-	-	-	-	14 845	18 320	22 690	27 918	33 964
60	-	-	-	-	-	16 670	20 586	25 420	31 133
65	-	-	-	-	-	-	18 462	22 825	28 126

Power input in W

30	-	6 084	6 252	6 349	6 405	6 451	6 520	6 642	6 849
35	-	6 693	6 896	7 013	7 074	7 111	7 156	7 240	7 395
40	-	7 339	7 585	7 730	7 805	7 842	7 872	7 926	8 037
45	-	-	8 337	8 519	8 617	8 662	8 686	8 720	8 796
50	-	-	-	9 400	9 529	9 591	9 617	9 639	9 689
55	-	-	-	-	10 559	10 647	10 685	10 704	10 735
60	-	-	-	-	-	11 849	11 907	11 931	11 954
65	-	-	-	-	-	-	13 303	13 342	13 364

Current consumption in A

30	-	12.77	12.86	12.95	13.04	13.13	13.21	13.28	13.33
35	-	13.57	13.62	13.69	13.76	13.83	13.90	13.96	14.02
40	-	14.43	14.46	14.50	14.55	14.61	14.67	14.73	14.79
45	-	-	15.42	15.44	15.48	15.53	15.58	15.64	15.70
50	-	-	-	16.57	16.60	16.64	16.69	16.76	16.83
55	-	-	-	-	17.98	18.01	18.07	18.13	18.21
60	-	-	-	-	-	19.70	19.76	19.84	19.93
65	-	-	-	-	-	-	21.84	21.92	22.03

Mass flow in kg/h

30	-	238	299	371	455	552	663	790	933
35	-	236	295	366	449	546	656	782	924
40	-	231	290	360	443	538	648	773	914
45	-	-	282	352	434	529	638	763	904
50	-	-	-	340	422	517	627	751	891
55	-	-	-	-	407	502	612	736	877
60	-	-	-	-	-	484	593	718	859
65	-	-	-	-	-	-	571	696	838

Coefficient of performance (C.O.P.)

30	-	1.73	2.16	2.71	3.36	4.10	4.90	5.72	6.50
35	-	1.49	1.83	2.28	2.85	3.51	4.24	5.03	5.81
40	-	1.31	1.56	1.93	2.40	2.98	3.64	4.36	5.12
45	-	-	1.35	1.63	2.02	2.50	3.08	3.73	4.43
50	-	-	-	1.39	1.69	2.09	2.57	3.14	3.78
55	-	-	-	-	1.41	1.72	2.12	2.61	3.16
60	-	-	-	-	-	1.41	1.73	2.13	2.60
65	-	-	-	-	-	-	1.39	1.71	2.10

Nominal performance at to = 5 °C, tc = 50 °C

Cooling capacity	30 294	W
Power input	9 639	W
Current consumption	16.76	A
Mass flow	751	kg/h
C.O.P.	3.14	

Pressure switch settings

Maximum HP switch setting	30	bar(g)
Minimum LP switch setting	0.5	bar(g)
LP pump down setting	1	bar(g)

Sound power data

Sound power level	77	dB(A)
With acoustic hood	72	dB(A)

to: Evaporating temperature at dew point

tc: Condensing temperature at dew point

Rating conditions : Superheat = 10 K , Subcooling = 0 K

Tolerance according EN12900

Danfoss can accept no responsibility for possible errors in catalogues, brochures and other printed material. Danfoss reserves the right to alter its products without notice. This also applies to products already on order provided that such alternations can be made without subsequential changes being necessary in specifications already agreed. All trademarks in this material are property of the respective companies. Danfoss and the Danfoss logotype are trademarks of Danfoss A/S. All rights reserved.

Performance data at 60 Hz, ARI rating conditions
R407C

Cond. temp. in °C (tc)	Evaporating temperature in °C (to)							
	-30	-25	-20	-15	-10	-5	0	5

Cooling capacity in W

30	-	11 291	14 480	18 404	23 016	28 270	34 120	40 520	47 423
35	-	10 762	13 596	17 240	21 648	26 773	32 570	38 992	45 994
40	-	10 466	12 864	16 148	20 271	25 186	30 849	37 212	44 231
45	-	-	12 318	15 160	18 916	23 541	28 989	35 212	42 166
50	-	-	-	14 308	17 617	21 870	27 022	33 025	39 833
55	-	-	-	-	16 406	20 206	24 980	30 682	37 264
60	-	-	-	-	-	18 582	22 897	28 216	34 491
65	-	-	-	-	-	-	20 805	25 659	31 546

Power input in W

30	-	6 084	6 252	6 349	6 405	6 451	6 520	6 642	6 849
35	-	6 693	6 896	7 013	7 074	7 111	7 156	7 240	7 395
40	-	7 339	7 585	7 730	7 805	7 842	7 872	7 926	8 037
45	-	-	8 337	8 519	8 617	8 662	8 686	8 720	8 796
50	-	-	-	9 400	9 529	9 591	9 617	9 639	9 689
55	-	-	-	-	10 559	10 647	10 685	10 704	10 735
60	-	-	-	-	-	11 849	11 907	11 931	11 954
65	-	-	-	-	-	-	13 303	13 342	13 364

Current consumption in A

30	-	12.77	12.86	12.95	13.04	13.13	13.21	13.28	13.33
35	-	13.57	13.62	13.69	13.76	13.83	13.90	13.96	14.02
40	-	14.43	14.46	14.50	14.55	14.61	14.67	14.73	14.79
45	-	-	15.42	15.44	15.48	15.53	15.58	15.64	15.70
50	-	-	-	16.57	16.60	16.64	16.69	16.76	16.83
55	-	-	-	-	17.98	18.01	18.07	18.13	18.21
60	-	-	-	-	-	19.70	19.76	19.84	19.93
65	-	-	-	-	-	-	21.84	21.92	22.03

Mass flow in kg/h

30	-	237	297	369	452	549	660	786	928
35	-	234	294	364	447	543	652	777	918
40	-	229	288	358	440	535	644	768	909
45	-	-	280	350	431	526	635	758	898
50	-	-	-	338	420	514	623	747	886
55	-	-	-	-	405	500	608	732	872
60	-	-	-	-	-	481	590	714	854
65	-	-	-	-	-	-	568	692	833

Coefficient of performance (C.O.P.)

30	-	1.86	2.32	2.90	3.59	4.38	5.23	6.10	6.92
35	-	1.61	1.97	2.46	3.06	3.77	4.55	5.39	6.22
40	-	1.43	1.70	2.09	2.60	3.21	3.92	4.69	5.50
45	-	-	1.48	1.78	2.20	2.72	3.34	4.04	4.79
50	-	-	-	1.52	1.85	2.28	2.81	3.43	4.11
55	-	-	-	-	1.55	1.90	2.34	2.87	3.47
60	-	-	-	-	-	1.57	1.92	2.36	2.89
65	-	-	-	-	-	-	1.56	1.92	2.36

Nominal performance at to = 7.2 °C, tc = 54.4 °C

Cooling capacity	33 775	W
Power input	10 579	W
Current consumption	17.99	A
Mass flow	793	kg/h
C.O.P.	3.19	

Pressure switch settings

Maximum HP switch setting	30	bar(g)
Minimum LP switch setting	0.5	bar(g)
LP pump down setting	1	bar(g)

Sound power data

Sound power level	77	dB(A)
With acoustic hood	72	dB(A)

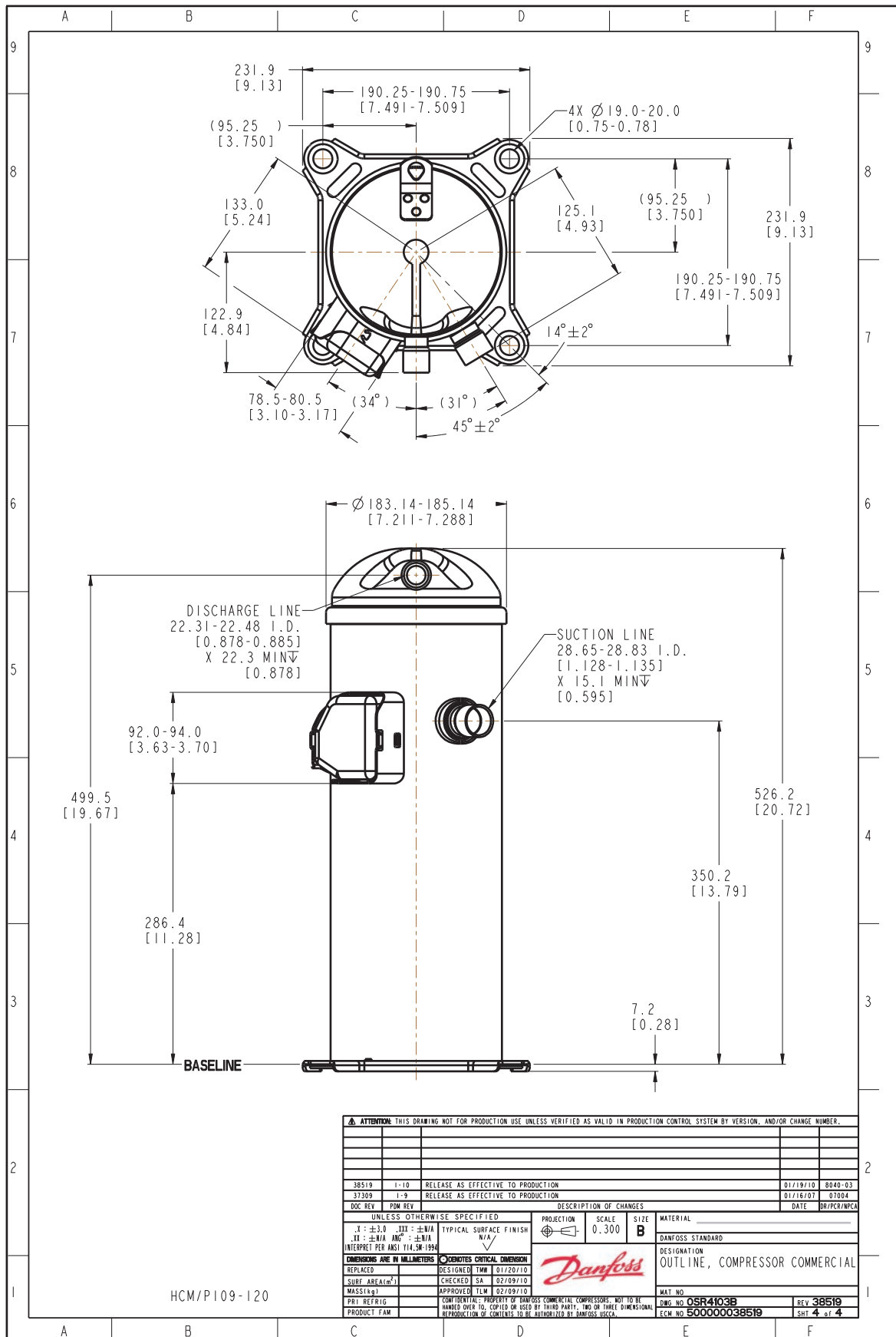
to: Evaporating temperature at dew point

tc: Condensing temperature at dew point

Rating conditions : Superheat = 11.1 K , Subcooling = 8.3 K

Tolerance according EN12900

Danfoss can accept no responsibility for possible errors in catalogues, brochures and other printed material. Danfoss reserves the right to alter its products without notice. This also applies to products already on order provided that such alternations can be made without subsequential changes being necessary in specifications already agreed. All trademarks in this material are property of the respective companies. Danfoss and the Danfoss logotype are trademarks of Danfoss A/S. All rights reserved.



Danfoss can accept no responsibility for possible errors in catalogues, brochures and other printed material. Danfoss reserves the right to alter its products without notice. This also applies to products already on order provided that such alternations can be made without subsequential changes being necessary in specifications already agreed. All trademarks in this material are property of the respective companies. Danfoss, the Danfoss logotype and Maneurop are trademarks of Danfoss A/S. All rights reserved.