

Datasheets

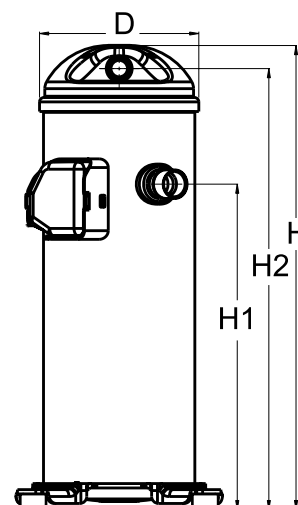
# Danfoss scroll compressors **H series**



**General Characteristics**

Model number (on compressor nameplate)		<b>HLH061T4LC6</b>
Code number for Singlepack*		120U2052
Code number for Industrial pack**		120U2049
Drawing number		0XR6089B-1
Suction and discharge connections		Brazed
Suction connection		7/8 " ODF
Discharge connection		1/2 " ODF
Oil sight glass		None
Oil equalisation connection		None
Oil drain connection		None
LP gauge port		None
IPR valve		Yes
Swept volume		57.78 cm <sup>3</sup> /rev
Displacement @ Nominal speed		10.1 m <sup>3</sup> /h @ 2900 rpm - 12.1 m <sup>3</sup> /h @ 3500 rpm
Net weight		37.2 kg
Oil charge		1.57 litre, PVE --
Maximum system test pressure Low Side / High side		- bar(g) / - bar(g)
Maximum differential test pressure		- bar
Maximum number of starts per hour		-
Refrigerant charge limit		5.44 kg
Approved refrigerants		R410A

**Dimensions**



D=183.5 mm

H=455 mm

H1=280 mm

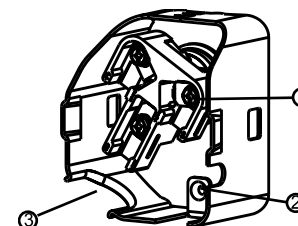
H2=422 mm

H3=- mm

**Electrical Characteristics**

Nominal voltage	380-415V/3/50Hz - 460V/3/60Hz
Voltage range	342-457 V @ 50Hz - 414-506 V @ 60Hz
Winding resistance between phases 1-2 +/- 7% at 25°C	1.800 Ω
Winding resistance between phases 1-3 +/- 7% at 25°C	1.888 Ω
Winding resistance between phases 2-3 +/- 7% at 25°C	1.869 Ω
Rated Load Amps (RLA)	9.6 A
Maximum Continuous Current (MCC)	15 A
Locked Rotor Amps (LRA)	82 A
Motor protection	Internal overload protector

**Terminal box**



IP22

1: Screw connectors 10-32 UNF x 9.5

2: Earth connection

3: Power cable passage

**Recommended Installation torques**

Oil sight glass	52.5 Nm
Power connections / Earth connection	3 Nm / 2 Nm

**Parts shipped with compressor**

Mounting kit with grommets and sleeves
Initial oil charge
Installation instructions

**Approvals** : CE certified, UL certified (file SA11565), -

\*Singlepack: Compressor in cardboard box

\*\*Industrial pack: 12 or 16 Unboxed compressors on pallet

**Rotolock accessories, suction side**

**Code no.**

Rotolock valve, V05 (1-1/4" Rotolock, 7/8" ODF)	8168030
Gasket, 1-1/4"	8156131

**Rotolock accessories, discharge side**

**Code no.**

Solder sleeve, P06 (1" Rotolock, 1/2" ODF)	8153007
Angle adapter, C06 (1" Rotolock, 1/2" ODF)	8168007
Rotolock valve, V06 (1" Rotolock, 1/2" ODF)	8168031
Gasket, 1"	8156130

**Rotolock accessories, sets**

**Code no.**

Solder sleeve adapter set (1-1/4" Rotolock, 7/8" ODF), (1" Rotolock, 1/2" ODF)	120Z0127
Gasket set, 1", 1-1/4", 1-3/4", OSG gaskets black & white	8156009

**Oil / lubricants**

**Code no.**

PVE lubricant, 320HV (FVC68D), 1 litre can	120Z5034
--------------------------------------------	----------

**Crankcase heaters**

**Code no.**

Belt type crankcase heater, 50 W, 230 V, CE mark, UL	120Z0057
Belt type crankcase heater, 50 W, 400 V, CE mark, UL	120Z0058

**Miscellaneous accessories**

**Code no.**

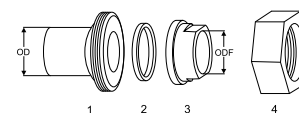
Acoustic hood	120Z5044
Discharge thermostat kit	7750009
IP54 upgrade kit	118U0057

**Spare parts**

**Code no.**

Mounting kit for 1 scroll compressor including 4 grommets, 4 sleeves, 4 bolts, 4 washers	120Z5005
Mounting kit, including 1 bolt, 1 sleeve, 1 washer	120Z5031
Terminal box cover	120Z5018

**Solder sleeve adapter set**



- 1: Rotolock adapter (Suc & Dis)
- 2: Gasket (Suc & Dis)
- 3: Solder sleeve (Suc & Dis)
- 4: Rotolock nut (Suc & Dis)

**Performance data at 50 Hz, EN 12900 rating conditions**
**R410A**

Cond. temp. in °C (tc)	Evaporating temperature in °C (to)							
	-25	-20	-15	-10	-5	0	5	10

**Cooling capacity in W**

30	5 190	6 538	8 049	9 805	11 888	14 380	17 363	20 919	-
35	4 638	6 061	7 577	9 267	11 213	13 496	16 198	19 401	-
40	3 879	5 429	7 003	8 682	10 546	12 676	15 154	18 059	-
45	-	4 586	6 269	7 989	9 825	11 857	14 165	16 829	-
50	-	-	5 322	7 132	8 990	10 975	13 166	15 642	-
55	-	-	-	6 055	7 981	9 967	12 090	14 427	-
60	-	-	-	-	6 739	8 764	10 859	13 102	-
65	-	-	-	-	-	7 290	9 381	11 554	-

**Power input in W**

30	2 846	2 885	2 909	2 916	2 902	2 865	2 802	2 711	-
35	3 124	3 172	3 207	3 226	3 227	3 206	3 160	3 088	-
40	3 441	3 495	3 537	3 566	3 577	3 568	3 537	3 480	-
45	-	3 861	3 907	3 941	3 960	3 960	3 939	3 894	-
50	-	-	4 324	4 360	4 382	4 388	4 374	4 338	-
55	-	-	-	4 829	4 852	4 859	4 849	4 818	-
60	-	-	-	-	5 375	5 381	5 371	5 342	-
65	-	-	-	-	-	5 961	5 947	5 916	-

**Current consumption in A**

30	6.05	6.06	6.13	6.19	6.20	6.09	5.81	5.31	-
35	6.36	6.42	6.54	6.66	6.74	6.71	6.52	6.12	-
40	6.78	6.86	7.00	7.16	7.28	7.30	7.17	6.84	-
45	-	7.46	7.59	7.75	7.88	7.92	7.82	7.53	-
50	-	-	8.36	8.49	8.60	8.63	8.53	8.25	-
55	-	-	-	9.44	9.50	9.49	9.36	9.05	-
60	-	-	-	-	10.64	10.56	10.36	10.00	-
65	-	-	-	-	-	11.89	11.60	11.16	-

**Mass flow in kg/h**

30	108	134	163	196	235	282	338	406	-
35	102	131	162	195	233	278	330	392	-
40	90	124	158	193	232	275	325	383	-
45	-	111	150	188	229	272	322	377	-
50	-	-	136	179	223	269	318	373	-
55	-	-	-	165	213	262	314	370	-
60	-	-	-	-	197	251	307	364	-
65	-	-	-	-	-	235	295	356	-

**Coefficient of performance (C.O.P.)**

30	1.82	2.27	2.77	3.36	4.10	5.02	6.20	7.72	-
35	1.48	1.91	2.36	2.87	3.48	4.21	5.13	6.28	-
40	1.13	1.55	1.98	2.43	2.95	3.55	4.28	5.19	-
45	-	1.19	1.60	2.03	2.48	2.99	3.60	4.32	-
50	-	-	1.23	1.64	2.05	2.50	3.01	3.61	-
55	-	-	-	1.25	1.65	2.05	2.49	2.99	-
60	-	-	-	-	1.25	1.63	2.02	2.45	-
65	-	-	-	-	-	1.22	1.58	1.95	-

**Nominal performance at to = 5 °C, tc = 50 °C**

Cooling capacity	13 166	W
Power input	4 374	W
Current consumption	8.53	A
Mass flow	318	kg/h
C.O.P.	3.01	

**Pressure switch settings**

Maximum HP switch setting	45	bar(g)
Minimum LP switch setting	1.5	bar(g)
LP pump down setting	2.3	bar(g)

**Sound power data**

Sound power level	70	dB(A)
With acoustic hood	65	dB(A)

to: Evaporating temperature at dew point

tc: Condensing temperature at dew point

Rating conditions : Superheat = 10 K , Subcooling = 0 K

Tolerance according EN12900

Danfoss can accept no responsibility for possible errors in catalogues, brochures and other printed material. Danfoss reserves the right to alter its products without notice. This also applies to products already on order provided that such alternations can be made without subsequential changes being necessary in specifications already agreed. All trademarks in this material are property of the respective companies. Danfoss and the Danfoss logotype are trademarks of Danfoss A/S. All rights reserved.

Performance data at 50 Hz, ARI rating conditions

R410A

Cond. temp. in °C (tc)	Evaporating temperature in °C (to)							
	-25	-20	-15	-10	-5	0	5	10

Cooling capacity in W

30	5 605	7 053	8 675	10 557	12 788	15 455	18 646	22 448	-
35	5 042	6 580	8 216	10 039	12 134	14 591	17 497	20 938	-
40	4 250	5 939	7 651	9 474	11 495	13 802	16 483	19 625	-
45	-	5 065	6 913	8 797	10 804	13 023	15 540	18 443	-
50	-	-	5 938	7 944	9 998	12 188	14 602	17 327	-
55	-	-	-	6 850	9 011	11 234	13 605	16 212	-
60	-	-	-	-	7 779	10 095	12 484	15 035	-
65	-	-	-	-	-	8 707	11 175	13 729	-

Power input in W

30	2 846	2 885	2 909	2 916	2 902	2 865	2 802	2 711	-
35	3 124	3 172	3 207	3 226	3 227	3 206	3 160	3 088	-
40	3 441	3 495	3 537	3 566	3 577	3 568	3 537	3 480	-
45	-	3 861	3 907	3 941	3 960	3 960	3 939	3 894	-
50	-	-	4 324	4 360	4 382	4 388	4 374	4 338	-
55	-	-	-	4 829	4 852	4 859	4 849	4 818	-
60	-	-	-	-	5 375	5 381	5 371	5 342	-
65	-	-	-	-	-	5 961	5 947	5 916	-

Current consumption in A

30	6.05	6.06	6.13	6.19	6.20	6.09	5.81	5.31	-
35	6.36	6.42	6.54	6.66	6.74	6.71	6.52	6.12	-
40	6.78	6.86	7.00	7.16	7.28	7.30	7.17	6.84	-
45	-	7.46	7.59	7.75	7.88	7.92	7.82	7.53	-
50	-	-	8.36	8.49	8.60	8.63	8.53	8.25	-
55	-	-	-	9.44	9.50	9.49	9.36	9.05	-
60	-	-	-	-	10.64	10.56	10.36	10.00	-
65	-	-	-	-	-	11.89	11.60	11.16	-

Mass flow in kg/h

30	108	134	162	195	234	280	336	403	-
35	102	131	161	194	232	276	328	389	-
40	90	123	157	192	230	273	323	380	-
45	-	111	149	187	227	271	319	375	-
50	-	-	135	178	222	267	316	371	-
55	-	-	-	164	212	261	312	367	-
60	-	-	-	-	196	250	305	362	-
65	-	-	-	-	-	233	293	354	-

Coefficient of performance (C.O.P.)

30	1.97	2.44	2.98	3.62	4.41	5.39	6.65	8.28	-
35	1.61	2.07	2.56	3.11	3.76	4.55	5.54	6.78	-
40	1.24	1.70	2.16	2.66	3.21	3.87	4.66	5.64	-
45	-	1.31	1.77	2.23	2.73	3.29	3.95	4.74	-
50	-	-	1.37	1.82	2.28	2.78	3.34	3.99	-
55	-	-	-	1.42	1.86	2.31	2.81	3.37	-
60	-	-	-	-	1.45	1.88	2.32	2.81	-
65	-	-	-	-	-	1.46	1.88	2.32	-

Nominal performance at to = 7.2 °C, tc = 54.4 °C

Cooling capacity	14 847	W
Power input	4 778	W
Current consumption	9.14	A
Mass flow	336	kg/h
C.O.P.	3.11	

Pressure switch settings

Maximum HP switch setting	45	bar(g)
Minimum LP switch setting	1.5	bar(g)
LP pump down setting	2.3	bar(g)

Sound power data

Sound power level	70	dB(A)
With acoustic hood	65	dB(A)

to: Evaporating temperature at dew point

tc: Condensing temperature at dew point

Rating conditions : Superheat = 11.1 K , Subcooling = 8.3 K

Tolerance according EN12900

Danfoss can accept no responsibility for possible errors in catalogues, brochures and other printed material. Danfoss reserves the right to alter its products without notice. This also applies to products already on order provided that such alternations can be made without subsequential changes being necessary in specifications already agreed. All trademarks in this material are property of the respective companies. Danfoss and the Danfoss logotype are trademarks of Danfoss A/S. All rights reserved.

Performance data at 60 Hz, EN 12900 rating conditions

R410A

Cond. temp. in °C (tc)	Evaporating temperature in °C (to)							
	-25	-20	-15	-10	-5	0	5	10

Cooling capacity in W

30	6 346	7 995	9 843	11 991	14 537	17 585	21 233	25 582	-
35	5 670	7 410	9 263	11 330	13 709	16 500	19 803	23 719	-
40	4 740	6 634	8 559	10 611	12 889	15 493	18 521	22 072	-
45	-	5 602	7 659	9 761	12 004	14 487	17 306	20 561	-
50	-	-	6 499	8 710	10 980	13 404	16 080	19 104	-
55	-	-	-	7 392	9 744	12 168	14 759	17 613	-
60	-	-	-	-	8 224	10 695	13 253	15 989	-
65	-	-	-	-	-	8 894	11 445	14 095	-

Power input in W

30	3 499	3 549	3 579	3 587	3 569	3 524	3 448	3 338	-
35	3 823	3 886	3 930	3 954	3 954	3 928	3 873	3 786	-
40	4 188	4 258	4 312	4 348	4 361	4 351	4 312	4 244	-
45	-	4 675	4 735	4 778	4 801	4 801	4 775	4 721	-
50	-	-	5 207	5 253	5 281	5 287	5 270	5 226	-
55	-	-	-	5 781	5 810	5 819	5 806	5 768	-
60	-	-	-	-	6 397	6 404	6 391	6 354	-
65	-	-	-	-	-	7 052	7 034	6 995	-

Current consumption in A

30	6.23	6.28	6.32	6.37	6.43	6.51	6.60	6.72	-
35	6.56	6.62	6.67	6.72	6.78	6.84	6.91	7.01	-
40	6.91	6.99	7.06	7.12	7.18	7.24	7.30	7.38	-
45	-	7.41	7.50	7.58	7.65	7.71	7.77	7.84	-
50	-	-	8.00	8.10	8.19	8.26	8.32	8.39	-
55	-	-	-	8.69	8.80	8.89	8.97	9.04	-
60	-	-	-	-	9.50	9.62	9.72	9.80	-
65	-	-	-	-	-	10.45	10.57	10.68	-

Mass flow in kg/h

30	133	164	200	240	288	345	414	496	-
35	125	161	198	239	285	339	403	479	-
40	111	152	193	236	283	336	397	468	-
45	-	136	183	230	279	333	393	461	-
50	-	-	166	219	272	328	389	456	-
55	-	-	-	201	260	320	383	451	-
60	-	-	-	-	241	307	374	445	-
65	-	-	-	-	-	286	360	435	-

Coefficient of performance (C.O.P.)

30	1.81	2.25	2.75	3.34	4.07	4.99	6.16	7.66	-
35	1.48	1.91	2.36	2.87	3.47	4.20	5.11	6.27	-
40	1.13	1.56	1.98	2.44	2.96	3.56	4.29	5.20	-
45	-	1.20	1.62	2.04	2.50	3.02	3.62	4.36	-
50	-	-	1.25	1.66	2.08	2.54	3.05	3.66	-
55	-	-	-	1.28	1.68	2.09	2.54	3.05	-
60	-	-	-	-	1.29	1.67	2.07	2.52	-
65	-	-	-	-	-	1.26	1.63	2.01	-

Nominal performance at to = 5 °C, tc = 50 °C

Cooling capacity	16 080	W
Power input	5 270	W
Current consumption	8.32	A
Mass flow	389	kg/h
C.O.P.	3.05	

Pressure switch settings

Maximum HP switch setting	45	bar(g)
Minimum LP switch setting	1.5	bar(g)
LP pump down setting	2.3	bar(g)

Sound power data

Sound power level	73	dB(A)
With acoustic hood	68	dB(A)

to: Evaporating temperature at dew point

tc: Condensing temperature at dew point

Rating conditions : Superheat = 10 K, Subcooling = 0 K

Tolerance according EN12900

Danfoss can accept no responsibility for possible errors in catalogues, brochures and other printed material. Danfoss reserves the right to alter its products without notice. This also applies to products already on order provided that such alternations can be made without subsequential changes being necessary in specifications already agreed. All trademarks in this material are property of the respective companies. Danfoss and the Danfoss logotype are trademarks of Danfoss A/S. All rights reserved.

**Performance data at 60 Hz, ARI rating conditions**
**R410A**

Cond. temp. in °C (tc)	Evaporating temperature in °C (to)							
	-25	-20	-15	-10	-5	0	5	10

**Cooling capacity in W**

30	6 853	8 625	10 608	12 910	15 638	18 900	22 802	27 452	-
35	6 163	8 044	10 045	12 273	14 835	17 839	21 391	25 599	-
40	5 192	7 258	9 351	11 579	14 049	16 869	20 146	23 986	-
45	-	6 186	8 446	10 748	13 201	15 911	18 986	22 533	-
50	-	-	7 251	9 702	12 211	14 886	17 834	21 161	-
55	-	-	-	8 362	11 002	13 715	16 610	19 793	-
60	-	-	-	-	9 494	12 320	15 236	18 348	-
65	-	-	-	-	-	10 622	13 633	16 748	-

**Power input in W**

30	3 499	3 549	3 579	3 587	3 569	3 524	3 448	3 338	-
35	3 823	3 886	3 930	3 954	3 954	3 928	3 873	3 786	-
40	4 188	4 258	4 312	4 348	4 361	4 351	4 312	4 244	-
45	-	4 675	4 735	4 778	4 801	4 801	4 775	4 721	-
50	-	-	5 207	5 253	5 281	5 287	5 270	5 226	-
55	-	-	-	5 781	5 810	5 819	5 806	5 768	-
60	-	-	-	-	6 397	6 404	6 391	6 354	-
65	-	-	-	-	-	7 052	7 034	6 995	-

**Current consumption in A**

30	6.23	6.28	6.32	6.37	6.43	6.51	6.60	6.72	-
35	6.56	6.62	6.67	6.72	6.78	6.84	6.91	7.01	-
40	6.91	6.99	7.06	7.12	7.18	7.24	7.30	7.38	-
45	-	7.41	7.50	7.58	7.65	7.71	7.77	7.84	-
50	-	-	8.00	8.10	8.19	8.26	8.32	8.39	-
55	-	-	-	8.69	8.80	8.89	8.97	9.04	-
60	-	-	-	-	9.50	9.62	9.72	9.80	-
65	-	-	-	-	-	10.45	10.57	10.68	-

**Mass flow in kg/h**

30	132	163	198	239	286	343	411	493	-
35	124	160	197	237	283	337	401	476	-
40	110	151	192	234	281	334	394	465	-
45	-	135	182	229	278	331	390	458	-
50	-	-	165	218	271	326	386	453	-
55	-	-	-	200	258	318	381	448	-
60	-	-	-	-	239	305	372	442	-
65	-	-	-	-	-	284	357	431	-

**Coefficient of performance (C.O.P.)**

30	1.96	2.43	2.96	3.60	4.38	5.36	6.61	8.22	-
35	1.61	2.07	2.56	3.10	3.75	4.54	5.52	6.76	-
40	1.24	1.70	2.17	2.66	3.22	3.88	4.67	5.65	-
45	-	1.32	1.78	2.25	2.75	3.31	3.98	4.77	-
50	-	-	1.39	1.85	2.31	2.82	3.38	4.05	-
55	-	-	-	1.45	1.89	2.36	2.86	3.43	-
60	-	-	-	-	1.48	1.92	2.38	2.89	-
65	-	-	-	-	-	1.51	1.94	2.39	-

**Nominal performance at to = 7.2 °C, tc = 54.4 °C**

Cooling capacity	18 126	W
Power input	5 725	W
Current consumption	8.92	A
Mass flow	410	kg/h
C.O.P.	3.17	

**Pressure switch settings**

Maximum HP switch setting	45	bar(g)
Minimum LP switch setting	1.5	bar(g)
LP pump down setting	2.3	bar(g)

**Sound power data**

Sound power level	73	dB(A)
With acoustic hood	68	dB(A)

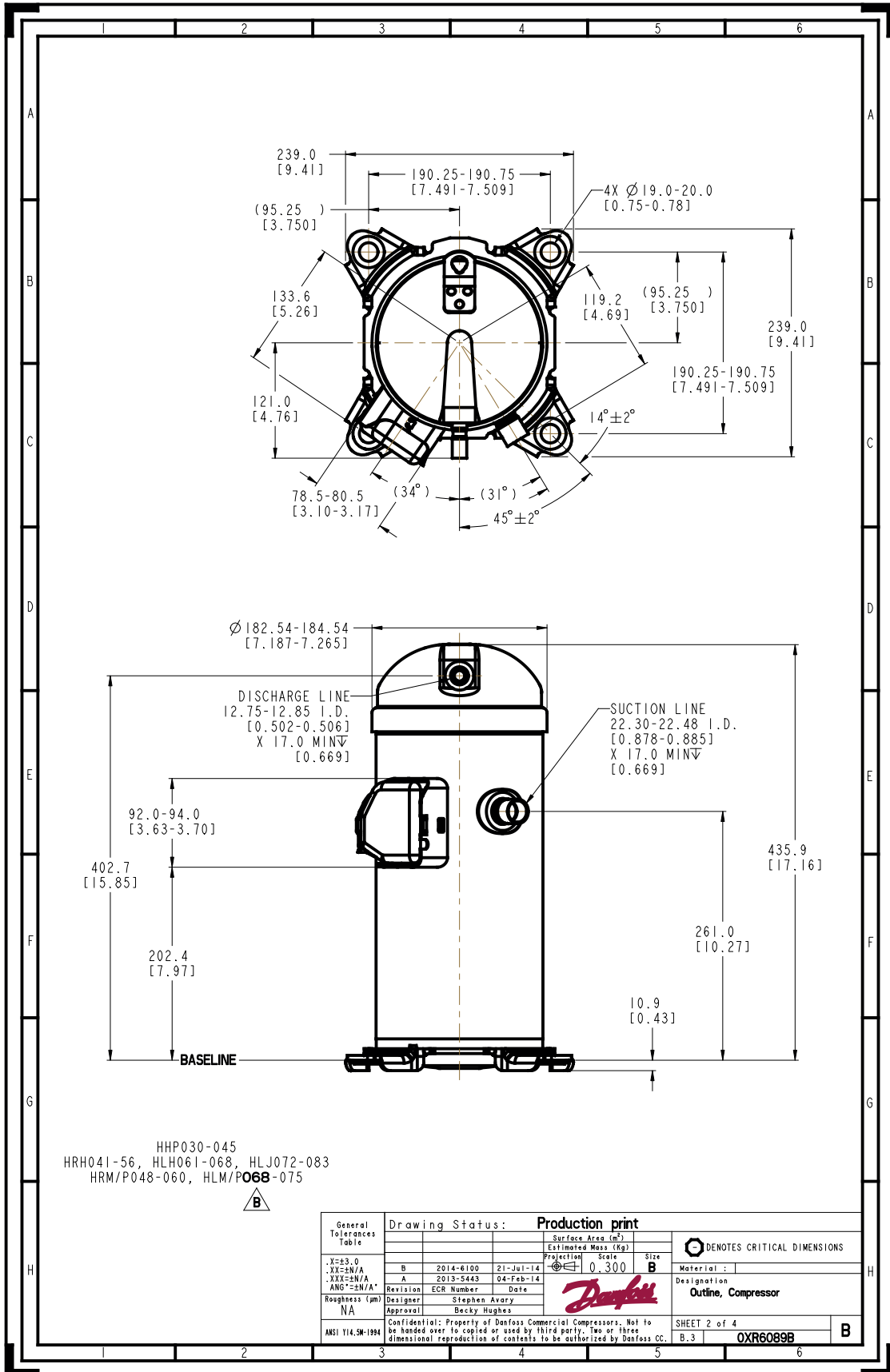
to: Evaporating temperature at dew point

tc: Condensing temperature at dew point

Rating conditions : Superheat = 11.1 K , Subcooling = 8.3 K

Tolerance according EN12900

Danfoss can accept no responsibility for possible errors in catalogues, brochures and other printed material. Danfoss reserves the right to alter its products without notice. This also applies to products already on order provided that such alternations can be made without subsequential changes being necessary in specifications already agreed. All trademarks in this material are property of the respective companies. Danfoss and the Danfoss logotype are trademarks of Danfoss A/S. All rights reserved.

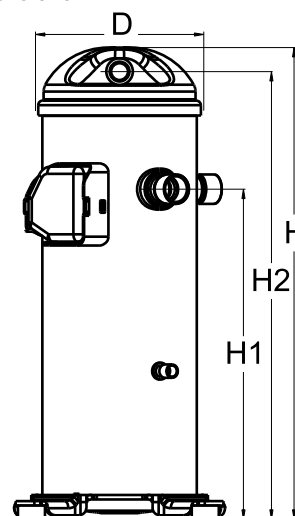


Danfoss can accept no responsibility for possible errors in catalogues, brochures and other printed material. Danfoss reserves the right to alter its products without notice. This also applies to products already on order provided that such alternations can be made without sequential changes being necessary in specifications already agreed. All trademarks in this material are property of the respective companies. Danfoss, the Danfoss logotype and Maneurop are trademarks of Danfoss A/S. All rights reserved.



**General Characteristics**

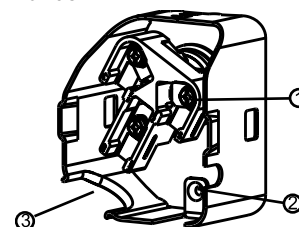
Model number (on compressor nameplate)		<b>HLH061T4LC8</b>
Code number for Singlepack*		120U2486
Code number for Industrial pack**		120U2483
Drawing number		0XR6049B-2
Suction and discharge connections		Brazed
Suction connection		7/8 " ODF
Discharge connection		1/2 " ODF
Oil sight glass		None
Oil equalisation connection		1/2"
Oil drain connection		None
LP gauge port		None
IPR valve		Yes
Swept volume		57.78 cm <sup>3</sup> /rev
Displacement @ Nominal speed		10.1 m <sup>3</sup> /h @ 2900 rpm - 12.1 m <sup>3</sup> /h @ 3500 rpm
Net weight		37.2 kg
Oil charge		1.57 litre, PVE --
Maximum system test pressure Low Side / High side		- bar(g) / - bar(g)
Maximum differential test pressure		- bar
Maximum number of starts per hour		-
Refrigerant charge limit		5.44 kg
Approved refrigerants		R410A

**Dimensions**


D=183.5 mm  
H=455 mm  
H1=280 mm  
H2=422 mm  
H3=- mm

**Electrical Characteristics**

Nominal voltage		380-415V/3/50Hz - 460V/3/60Hz
Voltage range		342-457 V @ 50Hz - 414-506 V @ 60Hz
Winding resistance between phases 1-2 +/- 7% at 25°C		1.800 Ω
Winding resistance between phases 1-3 +/- 7% at 25°C		1.888 Ω
Winding resistance between phases 2-3 +/- 7% at 25°C		1.869 Ω
Rated Load Amps (RLA)		9.6 A
Maximum Continuous Current (MCC)		15 A
Locked Rotor Amps (LRA)		82 A
Motor protection		Internal overload protector

**Terminal box**


IP22

- 1: Screw connectors 10-32 UNF x 9.5
- 2: Earth connection
- 3: Power cable passage

**Recommended Installation torques**

Oil sight glass		52.5 Nm
Power connections / Earth connection		3 Nm / 2 Nm

**Parts shipped with compressor**

Mounting kit with grommets and sleeves
Initial oil charge
Installation instructions

**Approvals** : CE certified, UL certified (file SA11565), -

\*Singlepack: Compressor in cardboard box

\*\*Industrial pack: 12 or 16 Unboxed compressors on pallet

**Rotolock accessories, suction side**

**Code no.**

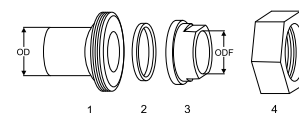
Rotolock valve, V05 (1-1/4" Rotolock, 7/8" ODF)	8168030
Gasket, 1-1/4"	8156131

**Rotolock accessories, discharge side**

**Code no.**

Solder sleeve, P06 (1" Rotolock, 1/2" ODF)	8153007
Angle adapter, C06 (1" Rotolock, 1/2" ODF)	8168007
Rotolock valve, V06 (1" Rotolock, 1/2" ODF)	8168031
Gasket, 1"	8156130

**Solder sleeve adapter set**



- 1: Rotolock adapter (Suc & Dis)
- 2: Gasket (Suc & Dis)
- 3: Solder sleeve (Suc & Dis)
- 4: Rotolock nut (Suc & Dis)

**Rotolock accessories, sets**

**Code no.**

Solder sleeve adapter set (1-1/4" Rotolock, 7/8" ODF), (1" Rotolock, 1/2" ODF)	120Z0127
Gasket set, 1", 1-1/4", 1-3/4", OSG gaskets black & white	8156009

**Oil / lubricants**

**Code no.**

PVE lubricant, 320HV (FVC68D), 1 litre can	120Z5034
--------------------------------------------	----------

**Crankcase heaters**

**Code no.**

Belt type crankcase heater, 50 W, 230 V, CE mark, UL	120Z0057
Belt type crankcase heater, 50 W, 400 V, CE mark, UL	120Z0058

**Miscellaneous accessories**

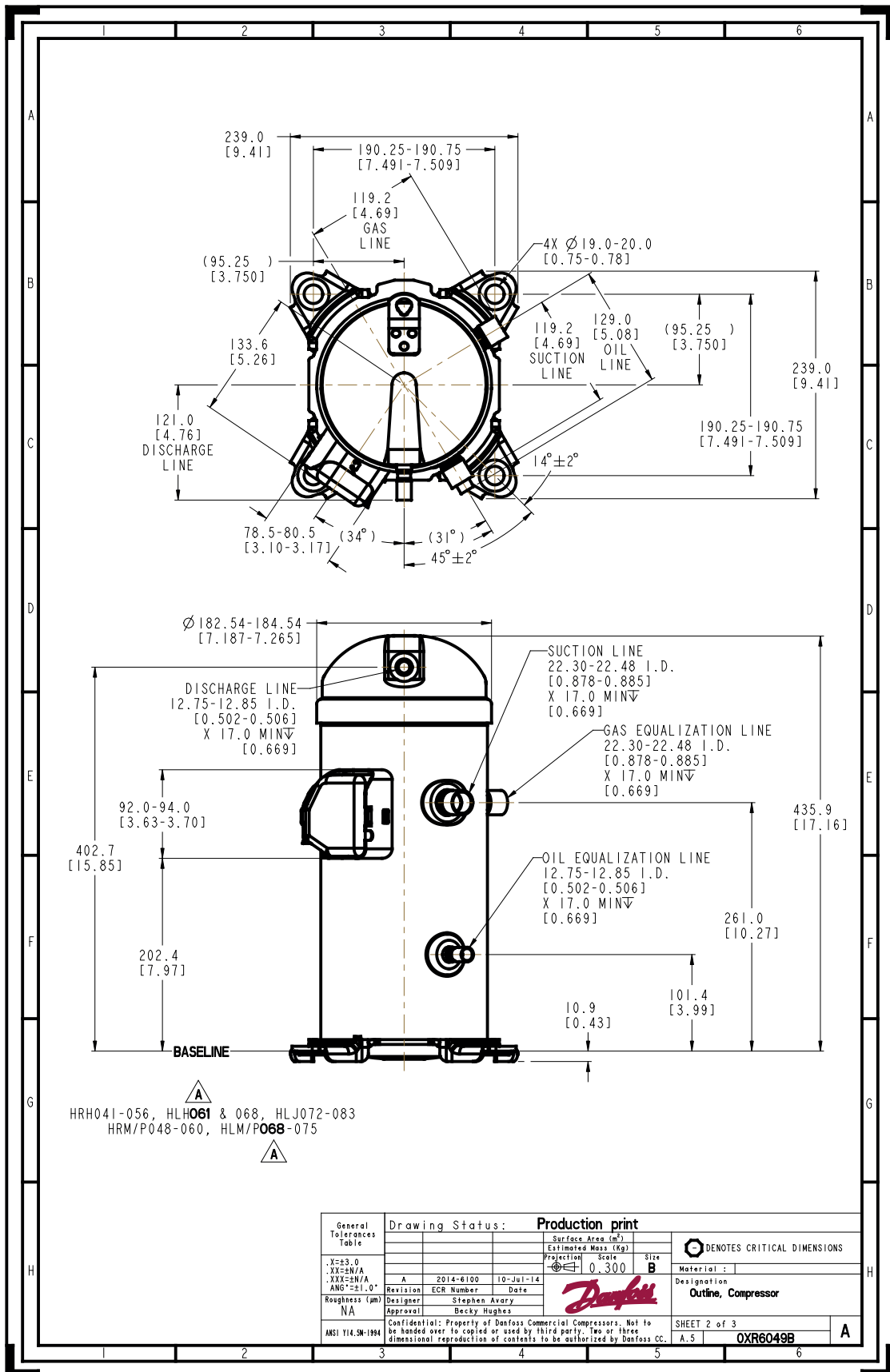
**Code no.**

No translation for	
Acoustic hood	120Z5044
Discharge thermostat kit	7750009
IP54 upgrade kit	118U0057

**Spare parts**

**Code no.**

Mounting kit for 1 scroll compressor including 4 grommets, 4 sleeves, 4 bolts, 4 washers	120Z5064
Mounting kit, including 1 bolt, 1 sleeve, 1 washer	120Z5031
Terminal box cover	120Z5018



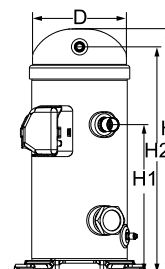
General Tolerances Table	Drawing Status: <b>Production print</b>			Surface Area (m <sup>2</sup> )	Estimated Mass (kg)	Size <b>B</b>	DENOTES CRITICAL DIMENSIONS
	Y=±3.0	XX=±N/A	XX=±N/A				
ANG=±1.0°	Revision	ECR Number	Date	Projection	Scale	Material:	Designation
Roughness (µm)	A	2014-6100	10-Jul-14	1st	0.300		Outline, Compressor
NA	Designer	Stephen Avary				SHEET 2 of 3	
ANSI Y14.5M-1994	Approval	Becky Hughes				A.5	OXR6049B

Danfoss can accept no responsibility for possible errors in catalogues, brochures and other printed material. Danfoss reserves the right to alter its products without notice. This also applies to products already on order provided that such alternations can be made without consequential changes being necessary in specifications already agreed. All trademarks in this material are property of the respective companies. Danfoss, the Danfoss logotype and Maneurop are trademarks of Danfoss A/S. All rights reserved.

**General Characteristics**

Model number (on compressor nameplate)		<b>HLH061T4LCT</b>
Code number for Singlepack*		121L3167
Code number for Industrial pack**		121L3166
Drawing number		0XR6089B-5
Suction and discharge connections		Brazed
Suction connection		7/8 " ODF
Discharge connection		1/2 " ODF
Oil sight glass		None
Oil equalisation connection		1-1/8" Rotolock
Oil drain connection		Schrader
LP gauge port		None
IPR valve		Yes
Swept volume		57.78 cm <sup>3</sup> /rev
Displacement @ Nominal speed		10.1 m <sup>3</sup> /h @ 2900 rpm - 12.1 m <sup>3</sup> /h @ 3500 rpm
Net weight		37.2 kg
Oil charge		1.57 litre, PVE --
Maximum system test pressure Low Side / High side		- bar(g) / - bar(g)
Maximum differential test pressure		- bar
Maximum number of starts per hour		-
Refrigerant charge limit		5.44 kg
Approved refrigerants		R410A

**Dimensions**

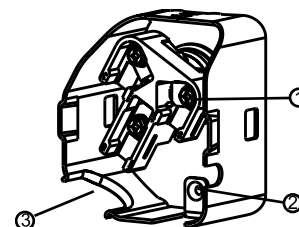


D=183.5 mm  
H=446.8 mm  
H1=271.9 mm  
H2=413.6 mm  
H3=- mm

**Electrical Characteristics**

Nominal voltage		380-415V/3/50Hz - 460V/3/60Hz
Voltage range		342-457 V @ 50Hz - 414-506 V @ 60Hz
Winding resistance between phases 1-2 +/- 7% at 25°C		1.800 Ω
Winding resistance between phases 1-3 +/- 7% at 25°C		1.888 Ω
Winding resistance between phases 2-3 +/- 7% at 25°C		1.869 Ω
Rated Load Amps (RLA)		9.6 A
Maximum Continuous Current (MCC)		15 A
Locked Rotor Amps (LRA)		82 A
Motor protection		Internal overload protector

**Terminal box**



IP22

- 1: Screw connectors 10-32 UNF x 9.5
- 2: Earth connection
- 3: Power cable passage

**Recommended Installation torques**

Oil sight glass		52.5 Nm
Power connections / Earth connection		3 Nm / 2 Nm

**Parts shipped with compressor**

Mounting kit with grommets and sleeves
Initial oil charge
Installation instructions

**Approvals** : CE certified, UL certified (file SA11565), -

\*Singlepack: Compressor in cardboard box

\*\*Industrial pack: 12 or 16 Unboxed compressors on pallet

**Rotolock accessories, suction side**

**Code no.**

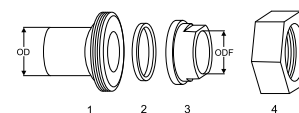
Rotolock valve, V05 (1-1/4" Rotolock, 7/8" ODF)	8168030
Gasket, 1-1/4"	8156131

**Rotolock accessories, discharge side**

**Code no.**

Solder sleeve, P06 (1" Rotolock, 1/2" ODF)	8153007
Angle adapter, C06 (1" Rotolock, 1/2" ODF)	8168007
Rotolock valve, V06 (1" Rotolock, 1/2" ODF)	8168031
Gasket, 1"	8156130

**Solder sleeve adapter set**



- 1: Rotolock adapter (Suc & Dis)
- 2: Gasket (Suc & Dis)
- 3: Solder sleeve (Suc & Dis)
- 4: Rotolock nut (Suc & Dis)

**Rotolock accessories, sets**

**Code no.**

Solder sleeve adapter set (1-1/4" Rotolock, 7/8" ODF), (1" Rotolock, 1/2" ODF)	120Z0127
Gasket set, 1", 1-1/4", 1-3/4", OSG gaskets black & white	8156009

**Oil / lubricants**

**Code no.**

PVE lubricant, 320HV (FVC68D), 1 litre can	120Z5034
--------------------------------------------	----------

**Crankcase heaters**

**Code no.**

Belt type crankcase heater, 50 W, 230 V, CE mark, UL	120Z0057
Belt type crankcase heater, 50 W, 400 V, CE mark, UL	120Z0058

**Miscellaneous accessories**

**Code no.**

No translation for	
Acoustic hood	120Z5044
Discharge thermostat kit	7750009
IP54 upgrade kit	118U0057

**Spare parts**

**Code no.**

Mounting kit for 1 scroll compressor including 4 grommets, 4 sleeves, 4 bolts, 4 washers	120Z5005
Mounting kit, including 1 bolt, 1 sleeve, 1 washer	120Z5031
Terminal box cover	120Z5018

**Performance data at 50 Hz, EN 12900 rating conditions**
**R410A**

Cond. temp. in °C (tc)	Evaporating temperature in °C (to)							
	-25	-20	-15	-10	-5	0	5	10

**Cooling capacity in W**

30	5 190	6 538	8 049	9 805	11 888	14 380	17 363	20 919	-
35	4 638	6 061	7 577	9 267	11 213	13 496	16 198	19 401	-
40	3 879	5 429	7 003	8 682	10 546	12 676	15 154	18 059	-
45	-	4 586	6 269	7 989	9 825	11 857	14 165	16 829	-
50	-	-	5 322	7 132	8 990	10 975	13 166	15 642	-
55	-	-	-	6 055	7 981	9 967	12 090	14 427	-
60	-	-	-	-	6 739	8 764	10 859	13 102	-
65	-	-	-	-	-	7 290	9 381	11 554	-

**Power input in W**

30	2 846	2 885	2 909	2 916	2 902	2 865	2 802	2 711	-
35	3 124	3 172	3 207	3 226	3 227	3 206	3 160	3 088	-
40	3 441	3 495	3 537	3 566	3 577	3 568	3 537	3 480	-
45	-	3 861	3 907	3 941	3 960	3 960	3 939	3 894	-
50	-	-	4 324	4 360	4 382	4 388	4 374	4 338	-
55	-	-	-	4 829	4 852	4 859	4 849	4 818	-
60	-	-	-	-	5 375	5 381	5 371	5 342	-
65	-	-	-	-	-	5 961	5 947	5 916	-

**Current consumption in A**

30	6.05	6.06	6.13	6.19	6.20	6.09	5.81	5.31	-
35	6.36	6.42	6.54	6.66	6.74	6.71	6.52	6.12	-
40	6.78	6.86	7.00	7.16	7.28	7.30	7.17	6.84	-
45	-	7.46	7.59	7.75	7.88	7.92	7.82	7.53	-
50	-	-	8.36	8.49	8.60	8.63	8.53	8.25	-
55	-	-	-	9.44	9.50	9.49	9.36	9.05	-
60	-	-	-	-	10.64	10.56	10.36	10.00	-
65	-	-	-	-	-	11.89	11.60	11.16	-

**Mass flow in kg/h**

30	108	134	163	196	235	282	338	406	-
35	102	131	162	195	233	278	330	392	-
40	90	124	158	193	232	275	325	383	-
45	-	111	150	188	229	272	322	377	-
50	-	-	136	179	223	269	318	373	-
55	-	-	-	165	213	262	314	370	-
60	-	-	-	-	197	251	307	364	-
65	-	-	-	-	-	235	295	356	-

**Coefficient of performance (C.O.P.)**

30	1.82	2.27	2.77	3.36	4.10	5.02	6.20	7.72	-
35	1.48	1.91	2.36	2.87	3.48	4.21	5.13	6.28	-
40	1.13	1.55	1.98	2.43	2.95	3.55	4.28	5.19	-
45	-	1.19	1.60	2.03	2.48	2.99	3.60	4.32	-
50	-	-	1.23	1.64	2.05	2.50	3.01	3.61	-
55	-	-	-	1.25	1.65	2.05	2.49	2.99	-
60	-	-	-	-	1.25	1.63	2.02	2.45	-
65	-	-	-	-	-	1.22	1.58	1.95	-

**Nominal performance at to = 5 °C, tc = 50 °C**

Cooling capacity	13 166	W
Power input	4 374	W
Current consumption	8.53	A
Mass flow	318	kg/h
C.O.P.	3.01	

**Pressure switch settings**

Maximum HP switch setting	45	bar(g)
Minimum LP switch setting	1.5	bar(g)
LP pump down setting	2.3	bar(g)

**Sound power data**

Sound power level	70	dB(A)
With acoustic hood	65	dB(A)

to: Evaporating temperature at dew point

tc: Condensing temperature at dew point

Rating conditions : Superheat = 10 K , Subcooling = 0 K

Tolerance according EN12900

Danfoss can accept no responsibility for possible errors in catalogues, brochures and other printed material. Danfoss reserves the right to alter its products without notice. This also applies to products already on order provided that such alternations can be made without subsequential changes being necessary in specifications already agreed. All trademarks in this material are property of the respective companies. Danfoss and the Danfoss logotype are trademarks of Danfoss A/S. All rights reserved.

**Performance data at 50 Hz, ARI rating conditions**
**R410A**

Cond. temp. in °C (tc)	Evaporating temperature in °C (to)							
	-25	-20	-15	-10	-5	0	5	10

**Cooling capacity in W**

30	5 605	7 053	8 675	10 557	12 788	15 455	18 646	22 448	-
35	5 042	6 580	8 216	10 039	12 134	14 591	17 497	20 938	-
40	4 250	5 939	7 651	9 474	11 495	13 802	16 483	19 625	-
45	-	5 065	6 913	8 797	10 804	13 023	15 540	18 443	-
50	-	-	5 938	7 944	9 998	12 188	14 602	17 327	-
55	-	-	-	6 850	9 011	11 234	13 605	16 212	-
60	-	-	-	-	7 779	10 095	12 484	15 035	-
65	-	-	-	-	-	8 707	11 175	13 729	-

**Power input in W**

30	2 846	2 885	2 909	2 916	2 902	2 865	2 802	2 711	-
35	3 124	3 172	3 207	3 226	3 227	3 206	3 160	3 088	-
40	3 441	3 495	3 537	3 566	3 577	3 568	3 537	3 480	-
45	-	3 861	3 907	3 941	3 960	3 960	3 939	3 894	-
50	-	-	4 324	4 360	4 382	4 388	4 374	4 338	-
55	-	-	-	4 829	4 852	4 859	4 849	4 818	-
60	-	-	-	-	5 375	5 381	5 371	5 342	-
65	-	-	-	-	-	5 961	5 947	5 916	-

**Current consumption in A**

30	6.05	6.06	6.13	6.19	6.20	6.09	5.81	5.31	-
35	6.36	6.42	6.54	6.66	6.74	6.71	6.52	6.12	-
40	6.78	6.86	7.00	7.16	7.28	7.30	7.17	6.84	-
45	-	7.46	7.59	7.75	7.88	7.92	7.82	7.53	-
50	-	-	8.36	8.49	8.60	8.63	8.53	8.25	-
55	-	-	-	9.44	9.50	9.49	9.36	9.05	-
60	-	-	-	-	10.64	10.56	10.36	10.00	-
65	-	-	-	-	-	11.89	11.60	11.16	-

**Mass flow in kg/h**

30	108	134	162	195	234	280	336	403	-
35	102	131	161	194	232	276	328	389	-
40	90	123	157	192	230	273	323	380	-
45	-	111	149	187	227	271	319	375	-
50	-	-	135	178	222	267	316	371	-
55	-	-	-	164	212	261	312	367	-
60	-	-	-	-	196	250	305	362	-
65	-	-	-	-	-	233	293	354	-

**Coefficient of performance (C.O.P.)**

30	1.97	2.44	2.98	3.62	4.41	5.39	6.65	8.28	-
35	1.61	2.07	2.56	3.11	3.76	4.55	5.54	6.78	-
40	1.24	1.70	2.16	2.66	3.21	3.87	4.66	5.64	-
45	-	1.31	1.77	2.23	2.73	3.29	3.95	4.74	-
50	-	-	1.37	1.82	2.28	2.78	3.34	3.99	-
55	-	-	-	1.42	1.86	2.31	2.81	3.37	-
60	-	-	-	-	1.45	1.88	2.32	2.81	-
65	-	-	-	-	-	1.46	1.88	2.32	-

**Nominal performance at to = 7.2 °C, tc = 54.4 °C**

Cooling capacity	14 847	W
Power input	4 778	W
Current consumption	9.14	A
Mass flow	336	kg/h
C.O.P.	3.11	

**Pressure switch settings**

Maximum HP switch setting	45	bar(g)
Minimum LP switch setting	1.5	bar(g)
LP pump down setting	2.3	bar(g)

**Sound power data**

Sound power level	70	dB(A)
With acoustic hood	65	dB(A)

to: Evaporating temperature at dew point

tc: Condensing temperature at dew point

Rating conditions : Superheat = 11.1 K , Subcooling = 8.3 K

Tolerance according EN12900

Danfoss can accept no responsibility for possible errors in catalogues, brochures and other printed material. Danfoss reserves the right to alter its products without notice. This also applies to products already on order provided that such alternations can be made without subsequential changes being necessary in specifications already agreed. All trademarks in this material are property of the respective companies. Danfoss and the Danfoss logotype are trademarks of Danfoss A/S. All rights reserved.

**Performance data at 60 Hz, EN 12900 rating conditions**
**R410A**

Cond. temp. in °C (tc)	Evaporating temperature in °C (to)							
	-25	-20	-15	-10	-5	0	5	10

**Cooling capacity in W**

30	6 346	7 995	9 843	11 991	14 537	17 585	21 233	25 582	-
35	5 670	7 410	9 263	11 330	13 709	16 500	19 803	23 719	-
40	4 740	6 634	8 559	10 611	12 889	15 493	18 521	22 072	-
45	-	5 602	7 659	9 761	12 004	14 487	17 306	20 561	-
50	-	-	6 499	8 710	10 980	13 404	16 080	19 104	-
55	-	-	-	7 392	9 744	12 168	14 759	17 613	-
60	-	-	-	-	8 224	10 695	13 253	15 989	-
65	-	-	-	-	-	8 894	11 445	14 095	-

**Power input in W**

30	3 499	3 549	3 579	3 587	3 569	3 524	3 448	3 338	-
35	3 823	3 886	3 930	3 954	3 954	3 928	3 873	3 786	-
40	4 188	4 258	4 312	4 348	4 361	4 351	4 312	4 244	-
45	-	4 675	4 735	4 778	4 801	4 801	4 775	4 721	-
50	-	-	5 207	5 253	5 281	5 287	5 270	5 226	-
55	-	-	-	5 781	5 810	5 819	5 806	5 768	-
60	-	-	-	-	6 397	6 404	6 391	6 354	-
65	-	-	-	-	-	7 052	7 034	6 995	-

**Current consumption in A**

30	6.23	6.28	6.32	6.37	6.43	6.51	6.60	6.72	-
35	6.56	6.62	6.67	6.72	6.78	6.84	6.91	7.01	-
40	6.91	6.99	7.06	7.12	7.18	7.24	7.30	7.38	-
45	-	7.41	7.50	7.58	7.65	7.71	7.77	7.84	-
50	-	-	8.00	8.10	8.19	8.26	8.32	8.39	-
55	-	-	-	8.69	8.80	8.89	8.97	9.04	-
60	-	-	-	-	9.50	9.62	9.72	9.80	-
65	-	-	-	-	-	10.45	10.57	10.68	-

**Mass flow in kg/h**

30	133	164	200	240	288	345	414	496	-
35	125	161	198	239	285	339	403	479	-
40	111	152	193	236	283	336	397	468	-
45	-	136	183	230	279	333	393	461	-
50	-	-	166	219	272	328	389	456	-
55	-	-	-	201	260	320	383	451	-
60	-	-	-	-	241	307	374	445	-
65	-	-	-	-	-	286	360	435	-

**Coefficient of performance (C.O.P.)**

30	1.81	2.25	2.75	3.34	4.07	4.99	6.16	7.66	-
35	1.48	1.91	2.36	2.87	3.47	4.20	5.11	6.27	-
40	1.13	1.56	1.98	2.44	2.96	3.56	4.29	5.20	-
45	-	1.20	1.62	2.04	2.50	3.02	3.62	4.36	-
50	-	-	1.25	1.66	2.08	2.54	3.05	3.66	-
55	-	-	-	1.28	1.68	2.09	2.54	3.05	-
60	-	-	-	-	1.29	1.67	2.07	2.52	-
65	-	-	-	-	-	1.26	1.63	2.01	-

**Nominal performance at to = 5 °C, tc = 50 °C**

Cooling capacity	16 080	W
Power input	5 270	W
Current consumption	8.32	A
Mass flow	389	kg/h
C.O.P.	3.05	

**Pressure switch settings**

Maximum HP switch setting	45	bar(g)
Minimum LP switch setting	1.5	bar(g)
LP pump down setting	2.3	bar(g)

**Sound power data**

Sound power level	73	dB(A)
With acoustic hood	68	dB(A)

to: Evaporating temperature at dew point

tc: Condensing temperature at dew point

Rating conditions : Superheat = 10 K , Subcooling = 0 K

Tolerance according EN12900

Danfoss can accept no responsibility for possible errors in catalogues, brochures and other printed material. Danfoss reserves the right to alter its products without notice. This also applies to products already on order provided that such alternations can be made without subsequential changes being necessary in specifications already agreed. All trademarks in this material are property of the respective companies. Danfoss and the Danfoss logotype are trademarks of Danfoss A/S. All rights reserved.



**Performance data at 60 Hz, ARI rating conditions**
**R410A**

Cond. temp. in °C (tc)	Evaporating temperature in °C (to)							
	-25	-20	-15	-10	-5	0	5	10

**Cooling capacity in W**

30	6 853	8 625	10 608	12 910	15 638	18 900	22 802	27 452	-
35	6 163	8 044	10 045	12 273	14 835	17 839	21 391	25 599	-
40	5 192	7 258	9 351	11 579	14 049	16 869	20 146	23 986	-
45	-	6 186	8 446	10 748	13 201	15 911	18 986	22 533	-
50	-	-	7 251	9 702	12 211	14 886	17 834	21 161	-
55	-	-	-	8 362	11 002	13 715	16 610	19 793	-
60	-	-	-	-	9 494	12 320	15 236	18 348	-
65	-	-	-	-	-	10 622	13 633	16 748	-

**Power input in W**

30	3 499	3 549	3 579	3 587	3 569	3 524	3 448	3 338	-
35	3 823	3 886	3 930	3 954	3 954	3 928	3 873	3 786	-
40	4 188	4 258	4 312	4 348	4 361	4 351	4 312	4 244	-
45	-	4 675	4 735	4 778	4 801	4 801	4 775	4 721	-
50	-	-	5 207	5 253	5 281	5 287	5 270	5 226	-
55	-	-	-	5 781	5 810	5 819	5 806	5 768	-
60	-	-	-	-	6 397	6 404	6 391	6 354	-
65	-	-	-	-	-	7 052	7 034	6 995	-

**Current consumption in A**

30	6.23	6.28	6.32	6.37	6.43	6.51	6.60	6.72	-
35	6.56	6.62	6.67	6.72	6.78	6.84	6.91	7.01	-
40	6.91	6.99	7.06	7.12	7.18	7.24	7.30	7.38	-
45	-	7.41	7.50	7.58	7.65	7.71	7.77	7.84	-
50	-	-	8.00	8.10	8.19	8.26	8.32	8.39	-
55	-	-	-	8.69	8.80	8.89	8.97	9.04	-
60	-	-	-	-	9.50	9.62	9.72	9.80	-
65	-	-	-	-	-	10.45	10.57	10.68	-

**Mass flow in kg/h**

30	132	163	198	239	286	343	411	493	-
35	124	160	197	237	283	337	401	476	-
40	110	151	192	234	281	334	394	465	-
45	-	135	182	229	278	331	390	458	-
50	-	-	165	218	271	326	386	453	-
55	-	-	-	200	258	318	381	448	-
60	-	-	-	-	239	305	372	442	-
65	-	-	-	-	-	284	357	431	-

**Coefficient of performance (C.O.P.)**

30	1.96	2.43	2.96	3.60	4.38	5.36	6.61	8.22	-
35	1.61	2.07	2.56	3.10	3.75	4.54	5.52	6.76	-
40	1.24	1.70	2.17	2.66	3.22	3.88	4.67	5.65	-
45	-	1.32	1.78	2.25	2.75	3.31	3.98	4.77	-
50	-	-	1.39	1.85	2.31	2.82	3.38	4.05	-
55	-	-	-	1.45	1.89	2.36	2.86	3.43	-
60	-	-	-	-	1.48	1.92	2.38	2.89	-
65	-	-	-	-	-	1.51	1.94	2.39	-

**Nominal performance at to = 7.2 °C, tc = 54.4 °C**

Cooling capacity	18 126	W
Power input	5 725	W
Current consumption	8.92	A
Mass flow	410	kg/h
C.O.P.	3.17	

**Pressure switch settings**

Maximum HP switch setting	45	bar(g)
Minimum LP switch setting	1.5	bar(g)
LP pump down setting	2.3	bar(g)

**Sound power data**

Sound power level	73	dB(A)
With acoustic hood	68	dB(A)

to: Evaporating temperature at dew point

tc: Condensing temperature at dew point

Rating conditions : Superheat = 11.1 K , Subcooling = 8.3 K

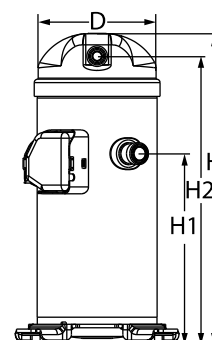
Tolerance according EN12900

Danfoss can accept no responsibility for possible errors in catalogues, brochures and other printed material. Danfoss reserves the right to alter its products without notice. This also applies to products already on order provided that such alternations can be made without subsequential changes being necessary in specifications already agreed. All trademarks in this material are property of the respective companies. Danfoss and the Danfoss logotype are trademarks of Danfoss A/S. All rights reserved.

**General Characteristics**

Model number (on compressor nameplate)		<b>HLH061T4LQ6</b>
Code number for Singlepack*		121U3123
Code number for Industrial pack**		121U3122
Drawing number		0XR6089B-3
Suction and discharge connections		Rotolock
Suction connection		3/4 " Rotolock
Discharge connection		1/2 " Rotolock
Oil sight glass		None
Oil equalisation connection		None
Oil drain connection		None
LP gauge port		None
IPR valve		Yes
Swept volume		57.78 cm <sup>3</sup> /rev
Displacement @ Nominal speed		10.1 m <sup>3</sup> /h @ 2900 rpm - 12.1 m <sup>3</sup> /h @ 3500 rpm
Net weight		37.2 kg
Oil charge		1.57 litre, PVE --
Maximum system test pressure Low Side / High side		- bar(g) / - bar(g)
Maximum differential test pressure		- bar
Maximum number of starts per hour		-
Refrigerant charge limit		5.44 kg
Approved refrigerants		R410A

**Dimensions**

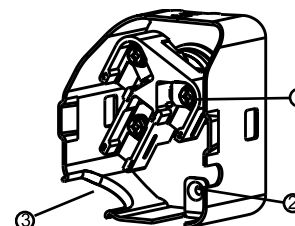


D=183.5 mm  
H=455 mm  
H1=280 mm  
H2=422 mm  
H3=- mm

**Electrical Characteristics**

Nominal voltage		380-415V/3/50Hz - 460V/3/60Hz
Voltage range		342-457 V @ 50Hz - 414-506 V @ 60Hz
Winding resistance between phases 1-2 +/- 7% at 25°C		1.800 Ω
Winding resistance between phases 1-3 +/- 7% at 25°C		1.888 Ω
Winding resistance between phases 2-3 +/- 7% at 25°C		1.869 Ω
Rated Load Amps (RLA)		9.6 A
Maximum Continuous Current (MCC)		15 A
Locked Rotor Amps (LRA)		82 A
Motor protection		Internal overload protector

**Terminal box**



IP22

- 1: Screw connectors 10-32 UNF x 9.5
- 2: Earth connection
- 3: Power cable passage

**Recommended Installation torques**

Oil sight glass		52.5 Nm
Power connections / Earth connection		3 Nm / 2 Nm

**Parts shipped with compressor**

Mounting kit with grommets and sleeves
Initial oil charge
Installation instructions

**Approvals** : CE certified, UL certified (file SA11565), -

\*Singlepack: Compressor in cardboard box

\*\*Industrial pack: 12 or 16 Unboxed compressors on pallet

**Rotolock accessories, suction side** **Code no.**

**Rotolock accessories, discharge side** **Code no.**

**Rotolock accessories, sets** **Code no.**

**Oil / lubricants** **Code no.**

PVE lubricant, 320HV (FVC68D), 1 litre can	120Z5034
--------------------------------------------	----------

**Crankcase heaters** **Code no.**

Belt type crankcase heater, 50 W, 230 V, CE mark, UL	120Z0057
Belt type crankcase heater, 50 W, 400 V, CE mark, UL	120Z0058

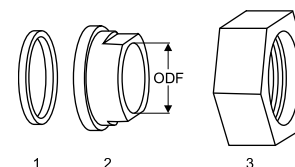
**Miscellaneous accessories** **Code no.**

Acoustic hood	120Z5044
Discharge thermostat kit	7750009
IP54 upgrade kit	118U0057

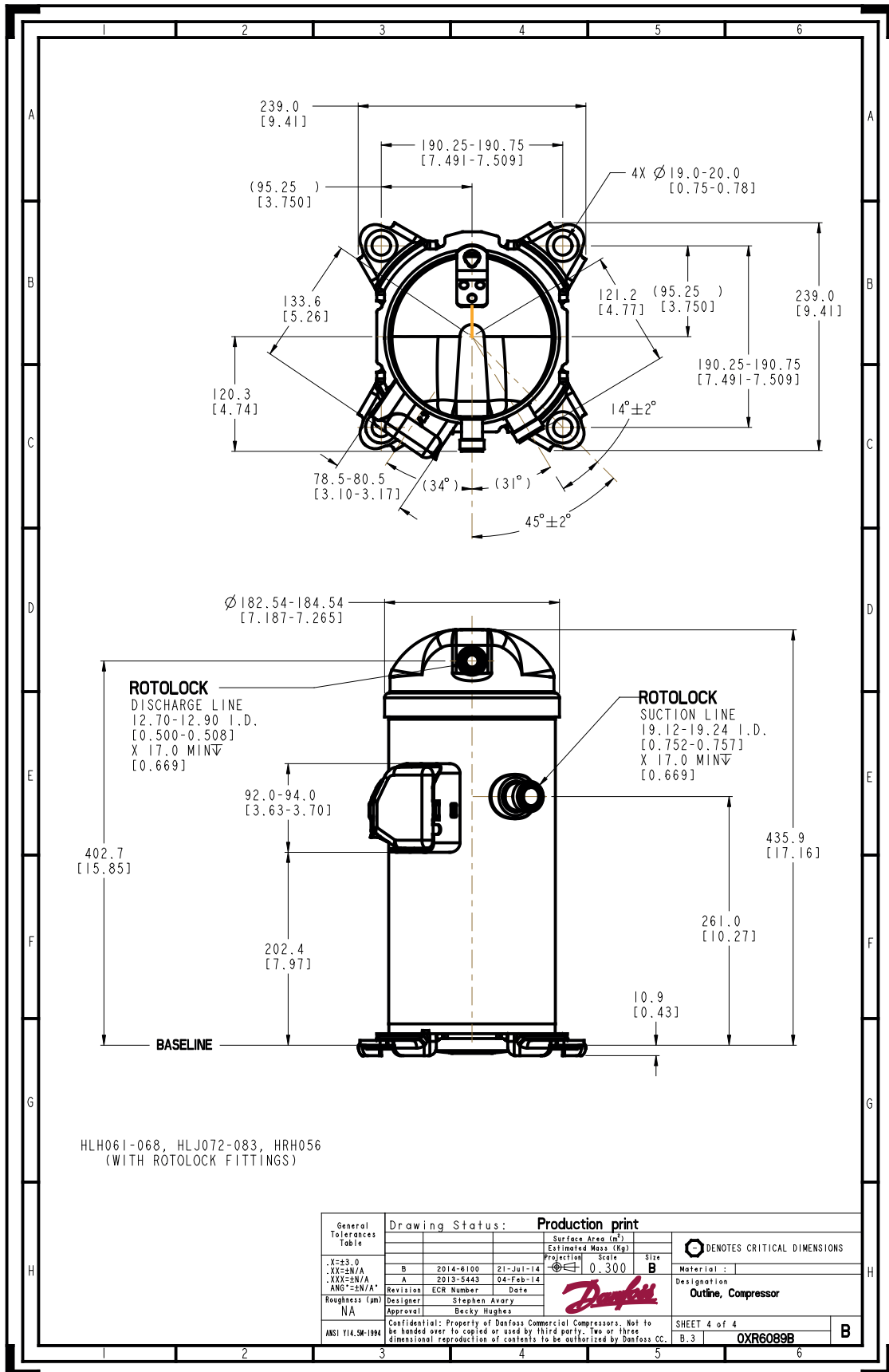
**Spare parts** **Code no.**

Mounting kit for 1 scroll compressor including 4 grommets, 4 sleeves, 4 bolts, 4 washers	120Z5005
Mounting kit, including 1 bolt, 1 sleeve, 1 washer	120Z5031
Terminal box cover	120Z5018

**Gaskets, sleeves and nuts**



- 1: Gasket
- 2: Solder sleeve
- 3: Rotolock nut



Danfoss can accept no responsibility for possible errors in catalogues, brochures and other printed material. Danfoss reserves the right to alter its products without notice. This also applies to products already on order provided that such alternations can be made without consequential changes being necessary in specifications already agreed. All trademarks in this material are property of the respective companies. Danfoss, the Danfoss logotype and Maneurop are trademarks of Danfoss A/S. All rights reserved.