

Datasheets

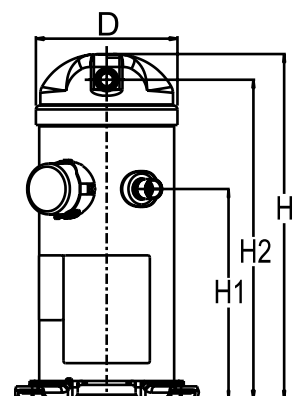
Danfoss scroll compressors **H series**



General Characteristics

Model number (on compressor nameplate)		HLH061T5LP6
Code number for Singlepack*		120U2047
Code number for Industrial pack**		120U2044
Drawing number		0XR6002B-2
Suction and discharge connections		Brazed
Suction connection		7/8 " ODF
Discharge connection		1/2 " ODF
Oil sight glass		None
Oil equalisation connection		None
Oil drain connection		None
LP gauge port		None
IPR valve		Yes
Swept volume		57,79 cm ³ /rev
Displacement @ Nominal speed		10.1 m ³ /h @ 2900 rpm
Net weight		37,2 kg
Oil charge		1,57 litre, PVE --
Maximum system test pressure Low Side / High side		- bar(g) / - bar(g)
Maximum differential test pressure		- bar
Maximum number of starts per hour		-
Refrigerant charge limit		5,44 kg
Approved refrigerants		R410A

Dimensions

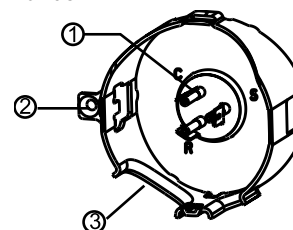


D=183,5 mm
H=455 mm
H1=280 mm
H2=422 mm
H3=- mm

Electrical Characteristics

Nominal voltage	230V/1/50Hz
Voltage range	207-253 V
Winding resistance (main / start) at 25°C	0,39 Ω / 1,019 Ω
Run capacitors A + C	55 μF + - μF
Start capacitor B	88-108 μF
Start relay	3ARR3*25AS*
Rated Load Amps (RLA)	26.9 A
Maximum Continuous Current (MCC)	42 A
Locked Rotor Amps (LRA)	130 A
Motor protection	Internal overload protector

Terminal box



IP22
1: Spade connectors 1/4"
2: Earth connection
3: Power cable passage

Recommended Installation torques

Oil sight glass	52,5 Nm
Power connections / Earth connection	0 Nm / 0 Nm

Parts shipped with compressor

Mounting kit with grommets and sleeves
Initial oil charge
Installation instructions

Approvals : CE certified, UL certified (file SA11565), -
*Singlepack: Compressor in cardboard box
**Industrial pack: 12 or 16 Unboxed compressors on pallet

Rotolock accessories, suction side

Code no.

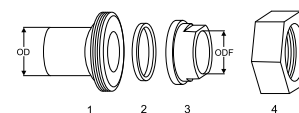
Rotolock valve, V05 (1-1/4" Rotolock, 7/8" ODF)	8168030
Gasket, 1-1/4"	8156131

Rotolock accessories, discharge side

Code no.

Solder sleeve, P06 (1" Rotolock, 1/2" ODF)	8153007
Angle adapter, C06 (1" Rotolock, 1/2" ODF)	8168007
Rotolock valve, V06 (1" Rotolock, 1/2" ODF)	8168031
Gasket, 1"	8156130

Solder sleeve adapter set



- 1: Rotolock adapter (Suc & Dis)
- 2: Gasket (Suc & Dis)
- 3: Solder sleeve (Suc & Dis)
- 4: Rotolock nut (Suc & Dis)

Rotolock accessories, sets

Code no.

Solder sleeve adapter set (1-1/4" Rotolock, 7/8" ODF), (1" Rotolock, 1/2" ODF)	120Z0127
Gasket set, 1", 1-1/4", 1-3/4", OSG gaskets black & white	8156009

Oil / lubricants

Code no.

PVE lubricant, 320HV (FVC68D), 1 litre can	120Z5034
--------------------------------------------	----------

Crankcase heaters

Code no.

Belt type crankcase heater, 50 W, 230 V, CE mark, UL	120Z0057
------------------------------------------------------	----------

Miscellaneous accessories

Code no.

Acoustic hood	120Z5044
Discharge thermostat kit	7750009

Spare parts

Code no.

Mounting kit for 1 scroll compressor including 4 grommets, 4 sleeves, 4 bolts, 4 washers	120Z5005
Mounting kit, including 1 bolt, 1 sleeve, 1 washer	120Z5031

Performance data at 50 Hz, EN 12900 rating conditions

R410A

Cond. temp. in °C (tc)	Evaporating temperature in °C (to)							
	-25	-20	-15	-10	-5	0	5	10

Cooling capacity in W

30	4 504	6 258	8 094	10 085	12 305	14 826	17 724	21 072	-
35	3 911	5 646	7 441	9 370	11 505	13 920	16 688	19 884	-
40	3 326	5 035	6 785	8 647	10 694	12 997	15 632	18 669	-
45	-	4 404	6 103	7 893	9 845	12 033	14 528	17 402	-
50	-	-	5 371	7 083	8 936	11 001	13 350	16 055	-
55	-	-	-	6 193	7 938	9 873	12 069	14 595	-
60	-	-	-	-	6 824	8 617	10 647	12 982	-
65	-	-	-	-	-	7 188	9 030	11 149	-

Power input in W

30	3 133	3 190	3 201	3 175	3 116	3 032	2 929	2 813	-
35	3 400	3 471	3 498	3 489	3 449	3 385	3 303	3 211	-
40	3 738	3 816	3 851	3 852	3 822	3 771	3 704	3 627	-
45	-	4 233	4 269	4 271	4 246	4 199	4 138	4 069	-
50	-	-	4 760	4 756	4 727	4 677	4 615	4 546	-
55	-	-	-	5 316	5 274	5 214	5 143	5 067	-
60	-	-	-	-	5 897	5 819	5 731	5 640	-
65	-	-	-	-	-	6 500	6 388	6 274	-

Current consumption in A

30	17.06	16.99	16.88	16.72	16.50	16.21	15.83	15.36	-
35	19.14	19.00	18.85	18.66	18.44	18.17	17.84	17.44	-
40	21.52	21.29	21.07	20.85	20.61	20.35	20.05	19.69	-
45	-	23.94	23.64	23.36	23.09	22.81	22.52	22.19	-
50	-	-	26.63	26.28	25.95	25.64	25.34	25.03	-
55	-	-	-	29.67	29.28	28.92	28.58	28.27	-
60	-	-	-	-	33.15	32.72	32.34	32.01	-
65	-	-	-	-	-	37.13	36.69	36.31	-

Mass flow in kg/h

30	94	129	164	202	244	290	344	405	-
35	86	122	159	197	239	286	339	401	-
40	78	115	153	192	235	282	335	396	-
45	-	107	146	186	229	277	330	391	-
50	-	-	137	178	222	270	323	383	-
55	-	-	-	168	212	260	313	374	-
60	-	-	-	-	199	247	301	361	-
65	-	-	-	-	-	230	284	344	-

Coefficient of performance (C.O.P.)

30	1.44	1.96	2.53	3.18	3.95	4.89	6.05	7.49	-
35	1.15	1.63	2.13	2.69	3.34	4.11	5.05	6.19	-
40	0.89	1.32	1.76	2.25	2.80	3.45	4.22	5.15	-
45	-	1.04	1.43	1.85	2.32	2.87	3.51	4.28	-
50	-	-	1.13	1.49	1.89	2.35	2.89	3.53	-
55	-	-	-	1.16	1.51	1.89	2.35	2.88	-
60	-	-	-	-	1.16	1.48	1.86	2.30	-
65	-	-	-	-	-	1.11	1.41	1.78	-

Nominal performance at to = 5 °C, tc = 50 °C

Cooling capacity	13 350	W
Power input	4 615	W
Current consumption	25.34	A
Mass flow	323	kg/h
C.O.P.	2.89	

Pressure switch settings

Maximum HP switch setting	45	bar(g)
Minimum LP switch setting	1.5	bar(g)
LP pump down setting	2.3	bar(g)

Sound power data

Sound power level	70	dB(A)
With acoustic hood	65	dB(A)

to: Evaporating temperature at dew point

tc: Condensing temperature at dew point

Rating conditions : Superheat = 10 K , Subcooling = 0 K

All performance data +/- 5%

Danfoss can accept no responsibility for possible errors in catalogues, brochures and other printed material. Danfoss reserves the right to alter its products without notice. This also applies to products already on order provided that such alternations can be made without subsequential changes being necessary in specifications already agreed. All trademarks in this material are property of the respective companies. Danfoss and the Danfoss logotype are trademarks of Danfoss A/S. All rights reserved.

Performance data at 50 Hz, ARI rating conditions

R410A

Cond. temp. in °C (tc)	Evaporating temperature in °C (to)							
	-25	-20	-15	-10	-5	0	5	10

Cooling capacity in W

30	4 864	6 751	8 723	10 859	13 236	15 935	19 034	22 612	-
35	4 251	6 129	8 069	10 150	12 451	15 050	18 026	21 459	-
40	3 643	5 509	7 413	9 436	11 656	14 152	17 003	20 288	-
45	-	4 863	6 729	8 691	10 827	13 216	15 938	19 071	-
50	-	-	5 992	7 889	9 937	12 217	14 806	17 784	-
55	-	-	-	7 005	8 963	11 129	13 582	16 401	-
60	-	-	-	-	7 878	9 927	12 240	14 897	-
65	-	-	-	-	-	8 585	10 756	13 247	-

Power input in W

30	3 133	3 190	3 201	3 175	3 116	3 032	2 929	2 813	-
35	3 400	3 471	3 498	3 489	3 449	3 385	3 303	3 211	-
40	3 738	3 816	3 851	3 852	3 822	3 771	3 704	3 627	-
45	-	4 233	4 269	4 271	4 246	4 199	4 138	4 069	-
50	-	-	4 760	4 756	4 727	4 677	4 615	4 546	-
55	-	-	-	5 316	5 274	5 214	5 143	5 067	-
60	-	-	-	-	5 897	5 819	5 731	5 640	-
65	-	-	-	-	-	6 500	6 388	6 274	-

Current consumption in A

30	17.06	16.99	16.88	16.72	16.50	16.21	15.83	15.36	-
35	19.14	19.00	18.85	18.66	18.44	18.17	17.84	17.44	-
40	21.52	21.29	21.07	20.85	20.61	20.35	20.05	19.69	-
45	-	23.94	23.64	23.36	23.09	22.81	22.52	22.19	-
50	-	-	26.63	26.28	25.95	25.64	25.34	25.03	-
55	-	-	-	29.67	29.28	28.92	28.58	28.27	-
60	-	-	-	-	33.15	32.72	32.34	32.01	-
65	-	-	-	-	-	37.13	36.69	36.31	-

Mass flow in kg/h

30	94	128	163	201	242	288	341	402	-
35	86	122	158	196	238	284	337	398	-
40	78	115	152	191	233	280	333	393	-
45	-	107	145	185	228	275	328	388	-
50	-	-	136	177	220	268	321	381	-
55	-	-	-	167	211	258	311	371	-
60	-	-	-	-	197	245	298	358	-
65	-	-	-	-	-	228	282	341	-

Coefficient of performance (C.O.P.)

30	1.55	2.12	2.72	3.42	4.25	5.26	6.50	8.04	-
35	1.25	1.77	2.31	2.91	3.61	4.45	5.46	6.68	-
40	0.97	1.44	1.92	2.45	3.05	3.75	4.59	5.59	-
45	-	1.15	1.58	2.03	2.55	3.15	3.85	4.69	-
50	-	-	1.26	1.66	2.10	2.61	3.21	3.91	-
55	-	-	-	1.32	1.70	2.13	2.64	3.24	-
60	-	-	-	-	1.34	1.71	2.14	2.64	-
65	-	-	-	-	-	1.32	1.68	2.11	-

Nominal performance at to = 7.2 °C, tc = 54.4 °C

Cooling capacity	14 933	W
Power input	5 044	W
Current consumption	28.03	A
Mass flow	338	kg/h
C.O.P.	2.96	

Pressure switch settings

Maximum HP switch setting	45	bar(g)
Minimum LP switch setting	1.5	bar(g)
LP pump down setting	2.3	bar(g)

Sound power data

Sound power level	70	dB(A)
With acoustic hood	65	dB(A)

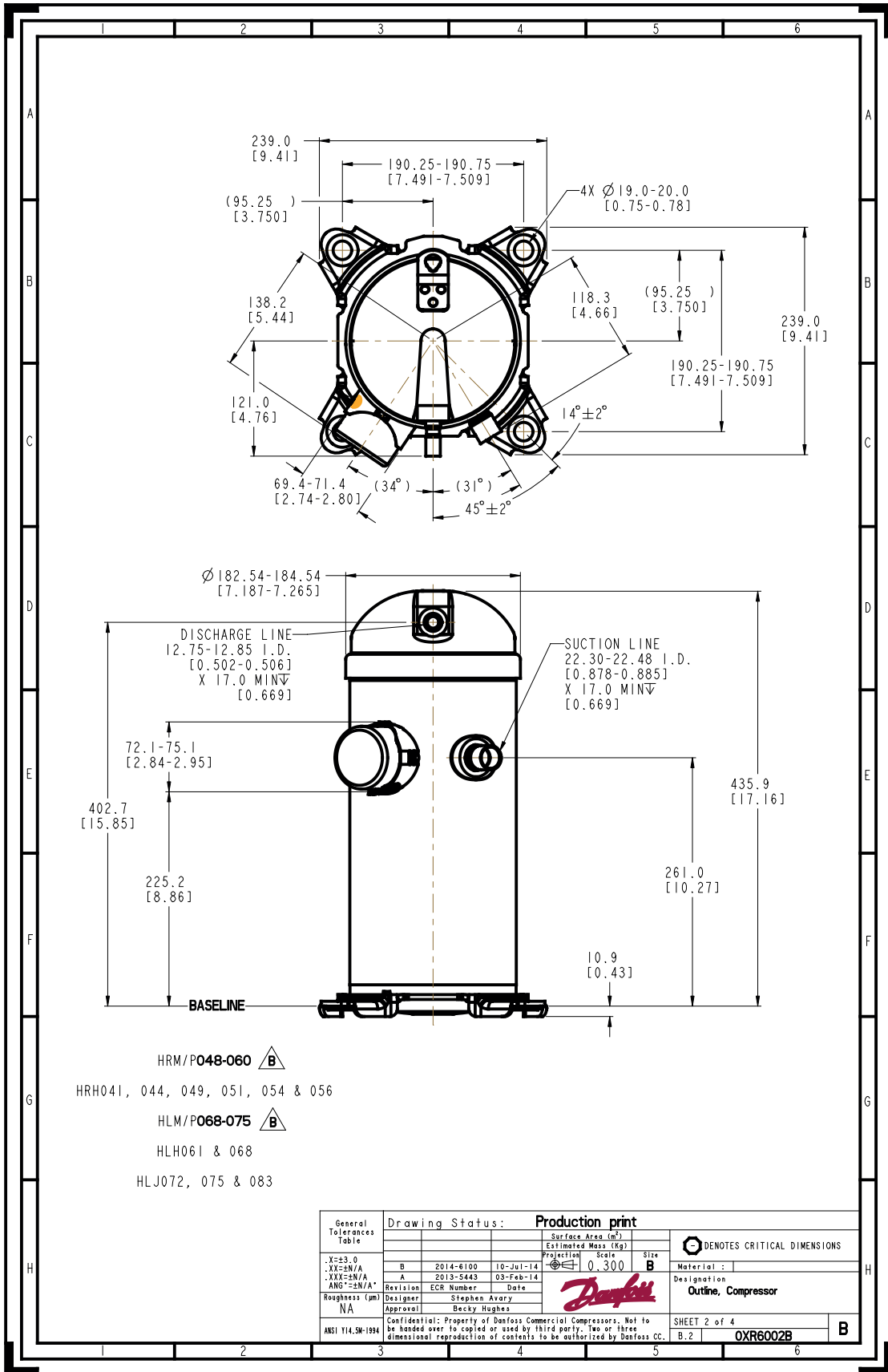
to: Evaporating temperature at dew point

tc: Condensing temperature at dew point

Rating conditions : Superheat = 11.1 K , Subcooling = 8.3 K

All performance data +/- 5%

Danfoss can accept no responsibility for possible errors in catalogues, brochures and other printed material. Danfoss reserves the right to alter its products without notice. This also applies to products already on order provided that such alternations can be made without subsequential changes being necessary in specifications already agreed. All trademarks in this material are property of the respective companies. Danfoss and the Danfoss logotype are trademarks of Danfoss A/S. All rights reserved.



Danfoss can accept no responsibility for possible errors in catalogues, brochures and other printed material. Danfoss reserves the right to alter its products without notice. This also applies to products already on order provided that such alternations can be made without consequential changes being necessary in specifications already agreed. All trademarks in this material are property of the respective companies. Danfoss, the Danfoss logotype and Maneurop are trademarks of Danfoss A/S. All rights reserved.