

ENGINEERING
TOMORROW

Danfoss

Datasheets

Danfoss scroll compressors **H series**



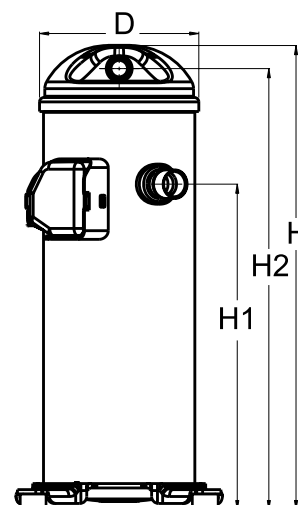
FRCC.UD.180315.135536

www.danfoss.com/odsg

General Characteristics

Model number (on compressor nameplate)		HLJ072T4LC6
Code number for Singlepack*		120U1396
Code number for Industrial pack**		120U1393
Drawing number		0XR6089B-1
Suction and discharge connections		Brazed
Suction connection		7/8 " ODF
Discharge connection		1/2 " ODF
Oil sight glass		None
Oil equalisation connection		None
Oil drain connection		None
LP gauge port		None
IPR valve		Yes
Swept volume		67.97 cm ³ /rev
Displacement @ Nominal speed		11.8 m ³ /h @ 2900 rpm - 14.3 m ³ /h @ 3500 rpm
Net weight		37.2 kg
Oil charge		1.57 litre, PVE --
Maximum system test pressure Low Side / High side		- bar(g) / - bar(g)
Maximum differential test pressure		- bar
Maximum number of starts per hour		-
Refrigerant charge limit		5.44 kg
Approved refrigerants		R410A

Dimensions



D=183.5 mm

H=455 mm

H1=280 mm

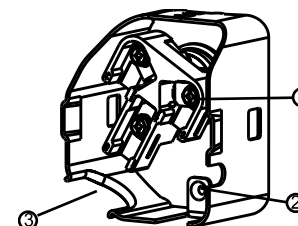
H2=422 mm

H3=- mm

Electrical Characteristics

Nominal voltage	380-415V/3/50Hz - 460V/3/60Hz
Voltage range	342-457 V @ 50Hz - 414-506 V @ 60Hz
Winding resistance between phases 1-2 +/- 7% at 25°C	2.116 Ω
Winding resistance between phases 1-3 +/- 7% at 25°C	2.088 Ω
Winding resistance between phases 2-3 +/- 7% at 25°C	2.072 Ω
Rated Load Amps (RLA)	12.2 A
Maximum Continuous Current (MCC)	19.0 A
Locked Rotor Amps (LRA)	87.0 A
Motor protection	Internal overload protector

Terminal box



IP22

1: Screw connectors 10-32 UNF x 9.5

2: Earth connection

3: Power cable passage

Recommended Installation torques

Oil sight glass	52.5 Nm
Power connections / Earth connection	3 Nm / 2 Nm

Parts shipped with compressor

Mounting kit with grommets and sleeves
Initial oil charge
Installation instructions

Approvals : CE certified, UL certified (file SA11565), -

*Singlepack: Compressor in cardboard box

**Industrial pack: 12 or 16 Unboxed compressors on pallet

Rotolock accessories, suction side

Code no.

Rotolock valve, V05 (1-1/4" Rotolock, 7/8" ODF)	8168030
Gasket, 1-1/4"	8156131

Rotolock accessories, discharge side

Code no.

Solder sleeve, P06 (1" Rotolock, 1/2" ODF)	8153007
Angle adapter, C06 (1" Rotolock, 1/2" ODF)	8168007
Rotolock valve, V06 (1" Rotolock, 1/2" ODF)	8168031
Gasket, 1"	8156130

Rotolock accessories, sets

Code no.

Solder sleeve adapter set (1-1/4" Rotolock, 7/8" ODF), (1" Rotolock, 1/2" ODF)	120Z0127
Gasket set, 1", 1-1/4", 1-3/4", OSG gaskets black & white	8156009

Oil / lubricants

Code no.

PVE lubricant, 320HV (FVC68D), 1 litre can	120Z5034
--	----------

Crankcase heaters

Code no.

Belt type crankcase heater, 50 W, 230 V, CE mark, UL	120Z0057
Belt type crankcase heater, 50 W, 400 V, CE mark, UL	120Z0058

Miscellaneous accessories

Code no.

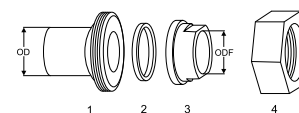
Acoustic hood	120Z5044
Discharge thermostat kit	7750009
IP54 upgrade kit	118U0057

Spare parts

Code no.

Mounting kit for 1 scroll compressor including 4 grommets, 4 sleeves, 4 bolts, 4 washers	120Z5005
Mounting kit, including 1 bolt, 1 sleeve, 1 washer	120Z5031
Terminal box cover	120Z5018

Solder sleeve adapter set



- 1: Rotolock adapter (Suc & Dis)
- 2: Gasket (Suc & Dis)
- 3: Solder sleeve (Suc & Dis)
- 4: Rotolock nut (Suc & Dis)

Performance data at 50 Hz, EN 12900 rating conditions

R410A

Cond. temp. in °C (tc)	Evaporating temperature in °C (to)							
	-25	-20	-15	-10	-5	0	5	10

Cooling capacity in W

30	6 226	7 843	9 656	11 762	14 261	17 250	20 828	25 094	-
35	5 566	7 272	9 091	11 119	13 454	16 193	19 435	23 278	-
40	4 657	6 516	8 404	10 419	12 657	15 213	18 187	21 674	-
45	-	5 507	7 527	9 591	11 795	14 234	17 005	20 203	-
50	-	-	6 392	8 565	10 796	13 180	15 811	18 784	-
55	-	-	-	7 274	9 587	11 972	14 522	17 331	-
60	-	-	-	-	8 097	10 530	13 049	15 743	-
65	-	-	-	-	-	8 762	11 276	13 887	-

Power input in W

30	3 286	3 331	3 359	3 367	3 351	3 309	3 236	3 130	-
35	3 612	3 667	3 707	3 729	3 730	3 706	3 653	3 569	-
40	3 984	4 046	4 095	4 127	4 140	4 130	4 094	4 028	-
45	-	4 477	4 530	4 569	4 590	4 590	4 566	4 514	-
50	-	-	5 022	5 063	5 088	5 095	5 079	5 037	-
55	-	-	-	5 617	5 642	5 651	5 639	5 604	-
60	-	-	-	-	6 261	6 268	6 256	6 223	-
65	-	-	-	-	-	6 954	6 938	6 903	-

Current consumption in A

30	6.23	6.24	6.25	6.25	6.25	6.23	6.20	6.14	-
35	6.68	6.70	6.72	6.73	6.74	6.73	6.69	6.63	-
40	7.18	7.21	7.24	7.26	7.27	7.27	7.23	7.17	-
45	-	7.79	7.83	7.86	7.88	7.88	7.84	7.78	-
50	-	-	8.52	8.56	8.58	8.58	8.55	8.49	-
55	-	-	-	9.38	9.41	9.41	9.38	9.31	-
60	-	-	-	-	10.38	10.38	10.35	10.27	-
65	-	-	-	-	-	11.52	11.49	11.41	-

Mass flow in kg/h

30	130	161	196	235	282	339	406	487	-
35	123	158	194	234	280	333	396	470	-
40	109	149	189	232	278	330	390	460	-
45	-	134	180	226	274	327	386	453	-
50	-	-	163	215	268	323	382	449	-
55	-	-	-	198	256	315	377	444	-
60	-	-	-	-	237	302	368	438	-
65	-	-	-	-	-	282	354	428	-

Coefficient of performance (C.O.P.)

30	1.89	2.35	2.87	3.49	4.26	5.21	6.44	8.02	-
35	1.54	1.98	2.45	2.98	3.61	4.37	5.32	6.52	-
40	1.17	1.61	2.05	2.52	3.06	3.68	4.44	5.38	-
45	-	1.23	1.66	2.10	2.57	3.10	3.72	4.48	-
50	-	-	1.27	1.69	2.12	2.59	3.11	3.73	-
55	-	-	-	1.30	1.70	2.12	2.58	3.09	-
60	-	-	-	-	1.29	1.68	2.09	2.53	-
65	-	-	-	-	-	1.26	1.63	2.01	-

Nominal performance at to = 5 °C, tc = 50 °C

Cooling capacity	15 811	W
Power input	5 079	W
Current consumption	8.55	A
Mass flow	382	kg/h
C.O.P.	3.11	

Pressure switch settings

Maximum HP switch setting	45	bar(g)
Minimum LP switch setting	1.5	bar(g)
LP pump down setting	2.3	bar(g)

Sound power data

Sound power level	71	dB(A)
With acoustic hood	66	dB(A)

to: Evaporating temperature at dew point

tc: Condensing temperature at dew point

Rating conditions : Superheat = 10 K , Subcooling = 0 K

Tolerance according EN12900

Danfoss can accept no responsibility for possible errors in catalogues, brochures and other printed material. Danfoss reserves the right to alter its products without notice. This also applies to products already on order provided that such alternations can be made without subsequential changes being necessary in specifications already agreed. All trademarks in this material are property of the respective companies. Danfoss and the Danfoss logotype are trademarks of Danfoss A/S. All rights reserved.

Performance data at 50 Hz, ARI rating conditions

R410A

Cond. temp. in °C (tc)	Evaporating temperature in °C (to)							
	-25	-20	-15	-10	-5	0	5	10

Cooling capacity in W

30	6 724	8 461	10 406	12 664	15 341	18 540	22 368	26 928	-
35	6 050	7 895	9 858	12 045	14 560	17 507	20 993	25 123	-
40	5 102	7 128	9 182	11 370	13 796	16 565	19 782	23 553	-
45	-	6 081	8 299	10 561	12 970	15 634	18 655	22 140	-
50	-	-	7 132	9 540	12 006	14 636	17 535	20 807	-
55	-	-	-	8 228	10 825	13 494	16 343	19 475	-
60	-	-	-	-	9 348	12 130	15 001	18 066	-
65	-	-	-	-	-	10 465	13 431	16 501	-

Power input in W

30	3 286	3 331	3 359	3 367	3 351	3 309	3 236	3 130	-
35	3 612	3 667	3 707	3 729	3 730	3 706	3 653	3 569	-
40	3 984	4 046	4 095	4 127	4 140	4 130	4 094	4 028	-
45	-	4 477	4 530	4 569	4 590	4 590	4 566	4 514	-
50	-	-	5 022	5 063	5 088	5 095	5 079	5 037	-
55	-	-	-	5 617	5 642	5 651	5 639	5 604	-
60	-	-	-	-	6 261	6 268	6 256	6 223	-
65	-	-	-	-	-	6 954	6 938	6 903	-

Current consumption in A

30	6.23	6.24	6.25	6.25	6.25	6.23	6.20	6.14	-
35	6.68	6.70	6.72	6.73	6.74	6.73	6.69	6.63	-
40	7.18	7.21	7.24	7.26	7.27	7.27	7.23	7.17	-
45	-	7.79	7.83	7.86	7.88	7.88	7.84	7.78	-
50	-	-	8.52	8.56	8.58	8.58	8.55	8.49	-
55	-	-	-	9.38	9.41	9.41	9.38	9.31	-
60	-	-	-	-	10.38	10.38	10.35	10.27	-
65	-	-	-	-	-	11.52	11.49	11.41	-

Mass flow in kg/h

30	129	160	195	234	281	336	403	483	-
35	122	157	193	233	278	331	393	467	-
40	108	148	188	230	276	328	387	456	-
45	-	133	179	225	273	325	383	450	-
50	-	-	162	214	266	321	380	445	-
55	-	-	-	196	254	313	375	441	-
60	-	-	-	-	236	300	366	435	-
65	-	-	-	-	-	280	352	425	-

Coefficient of performance (C.O.P.)

30	2.05	2.54	3.10	3.76	4.58	5.60	6.91	8.60	-
35	1.68	2.15	2.66	3.23	3.90	4.72	5.75	7.04	-
40	1.28	1.76	2.24	2.75	3.33	4.01	4.83	5.85	-
45	-	1.36	1.83	2.31	2.83	3.41	4.09	4.90	-
50	-	-	1.42	1.88	2.36	2.87	3.45	4.13	-
55	-	-	-	1.46	1.92	2.39	2.90	3.48	-
60	-	-	-	-	1.49	1.94	2.40	2.90	-
65	-	-	-	-	-	1.50	1.94	2.39	-

Nominal performance at to = 7.2 °C, tc = 54.4 °C

Cooling capacity	17 834	W
Power input	5 556	W
Current consumption	9.24	A
Mass flow	404	kg/h
C.O.P.	3.21	

Pressure switch settings

Maximum HP switch setting	45	bar(g)
Minimum LP switch setting	1.5	bar(g)
LP pump down setting	2.3	bar(g)

Sound power data

Sound power level	71	dB(A)
With acoustic hood	66	dB(A)

to: Evaporating temperature at dew point

tc: Condensing temperature at dew point

Rating conditions : Superheat = 11.1 K , Subcooling = 8.3 K

Tolerance according EN12900

Danfoss can accept no responsibility for possible errors in catalogues, brochures and other printed material. Danfoss reserves the right to alter its products without notice. This also applies to products already on order provided that such alternations can be made without subsequential changes being necessary in specifications already agreed. All trademarks in this material are property of the respective companies. Danfoss and the Danfoss logotype are trademarks of Danfoss A/S. All rights reserved.

Performance data at 60 Hz, EN 12900 rating conditions
R410A

Cond. temp. in °C (tc)	Evaporating temperature in °C (to)							
	-25	-20	-15	-10	-5	0	5	10

Cooling capacity in W

30	7 392	9 311	11 463	13 965	16 931	20 479	24 727	29 790	-
35	6 612	8 637	10 797	13 206	15 979	19 233	23 083	27 646	-
40	5 537	7 744	9 987	12 381	15 040	18 078	21 612	25 755	-
45	-	6 551	8 950	11 404	14 024	16 925	20 219	24 022	-
50	-	-	7 608	10 191	12 845	15 681	18 812	22 350	-
55	-	-	-	8 662	11 414	14 253	17 290	20 634	-
60	-	-	-	-	9 647	12 545	15 545	18 756	-
65	-	-	-	-	-	10 444	13 441	16 555	-

Power input in W

30	3 923	3 976	4 009	4 019	4 000	3 949	3 862	3 735	-
35	4 312	4 378	4 426	4 453	4 453	4 424	4 362	4 261	-
40	4 760	4 833	4 891	4 930	4 945	4 933	4 890	4 811	-
45	-	5 350	5 413	5 460	5 485	5 485	5 456	5 394	-
50	-	-	6 003	6 052	6 083	6 090	6 071	6 021	-
55	-	-	-	6 718	6 748	6 759	6 745	6 702	-
60	-	-	-	-	7 492	7 500	7 486	7 446	-
65	-	-	-	-	-	8 324	8 305	8 263	-

Current consumption in A

30	6.53	6.58	6.62	6.68	6.74	6.81	6.91	7.04	-
35	6.87	6.93	6.99	7.04	7.10	7.16	7.24	7.34	-
40	7.24	7.33	7.40	7.46	7.52	7.58	7.65	7.73	-
45	-	7.76	7.86	7.94	8.01	8.07	8.14	8.21	-
50	-	-	8.38	8.49	8.58	8.65	8.72	8.79	-
55	-	-	-	9.10	9.22	9.32	9.40	9.47	-
60	-	-	-	-	9.95	10.08	10.18	10.27	-
65	-	-	-	-	-	10.94	11.07	11.18	-

Mass flow in kg/h

30	154	191	232	280	335	402	482	578	-
35	146	187	231	278	332	396	470	558	-
40	129	177	225	275	330	392	463	546	-
45	-	159	214	269	326	389	459	539	-
50	-	-	194	256	319	384	455	534	-
55	-	-	-	235	305	375	449	529	-
60	-	-	-	-	282	360	439	522	-
65	-	-	-	-	-	336	422	510	-

Coefficient of performance (C.O.P.)

30	1.88	2.34	2.86	3.47	4.23	5.19	6.40	7.98	-
35	1.53	1.97	2.44	2.97	3.59	4.35	5.29	6.49	-
40	1.16	1.60	2.04	2.51	3.04	3.66	4.42	5.35	-
45	-	1.22	1.65	2.09	2.56	3.09	3.71	4.45	-
50	-	-	1.27	1.68	2.11	2.57	3.10	3.71	-
55	-	-	-	1.29	1.69	2.11	2.56	3.08	-
60	-	-	-	-	1.29	1.67	2.08	2.52	-
65	-	-	-	-	-	1.25	1.62	2.00	-

Nominal performance at to = 5 °C, tc = 50 °C

Cooling capacity	18 812	W
Power input	6 071	W
Current consumption	8.72	A
Mass flow	455	kg/h
C.O.P.	3.10	

Pressure switch settings

Maximum HP switch setting	45	bar(g)
Minimum LP switch setting	1.5	bar(g)
LP pump down setting	2.3	bar(g)

Sound power data

Sound power level	74	dB(A)
With acoustic hood	69	dB(A)

to: Evaporating temperature at dew point

tc: Condensing temperature at dew point

Rating conditions : Superheat = 10 K , Subcooling = 0 K

Tolerance according EN12900

Danfoss can accept no responsibility for possible errors in catalogues, brochures and other printed material. Danfoss reserves the right to alter its products without notice. This also applies to products already on order provided that such alternations can be made without subsequential changes being necessary in specifications already agreed. All trademarks in this material are property of the respective companies. Danfoss and the Danfoss logotype are trademarks of Danfoss A/S. All rights reserved.

Performance data at 60 Hz, ARI rating conditions
R410A

Cond. temp. in °C (tc)	Evaporating temperature in °C (to)							
	-25	-20	-15	-10	-5	0	5	10

Cooling capacity in W

30	7 983	10 045	12 354	15 035	18 213	22 011	26 554	31 967	-
35	7 187	9 377	11 709	14 305	17 292	20 794	24 934	29 837	-
40	6 066	8 471	10 911	13 511	16 393	19 684	23 507	27 988	-
45	-	7 234	9 869	12 557	15 422	18 589	22 182	26 325	-
50	-	-	8 487	11 351	14 285	17 414	20 863	24 757	-
55	-	-	-	9 798	12 887	16 066	19 458	23 187	-
60	-	-	-	-	11 136	14 450	17 871	21 524	-
65	-	-	-	-	-	12 474	16 010	19 671	-

Power input in W

30	3 923	3 976	4 009	4 019	4 000	3 949	3 862	3 735	-
35	4 312	4 378	4 426	4 453	4 453	4 424	4 362	4 261	-
40	4 760	4 833	4 891	4 930	4 945	4 933	4 890	4 811	-
45	-	5 350	5 413	5 460	5 485	5 485	5 456	5 394	-
50	-	-	6 003	6 052	6 083	6 090	6 071	6 021	-
55	-	-	-	6 718	6 748	6 759	6 745	6 702	-
60	-	-	-	-	7 492	7 500	7 486	7 446	-
65	-	-	-	-	-	8 324	8 305	8 263	-

Current consumption in A

30	6.53	6.58	6.62	6.68	6.74	6.81	6.91	7.04	-
35	6.87	6.93	6.99	7.04	7.10	7.16	7.24	7.34	-
40	7.24	7.33	7.40	7.46	7.52	7.58	7.65	7.73	-
45	-	7.76	7.86	7.94	8.01	8.07	8.14	8.21	-
50	-	-	8.38	8.49	8.58	8.65	8.72	8.79	-
55	-	-	-	9.10	9.22	9.32	9.40	9.47	-
60	-	-	-	-	9.95	10.08	10.18	10.27	-
65	-	-	-	-	-	10.94	11.07	11.18	-

Mass flow in kg/h

30	154	190	231	278	333	399	479	574	-
35	145	186	229	276	330	393	467	554	-
40	128	176	224	274	328	389	460	542	-
45	-	158	213	267	324	386	456	535	-
50	-	-	193	255	317	382	452	530	-
55	-	-	-	234	303	373	446	525	-
60	-	-	-	-	281	358	436	518	-
65	-	-	-	-	-	334	419	507	-

Coefficient of performance (C.O.P.)

30	2.04	2.53	3.08	3.74	4.55	5.57	6.88	8.56	-
35	1.67	2.14	2.65	3.21	3.88	4.70	5.72	7.00	-
40	1.27	1.75	2.23	2.74	3.32	3.99	4.81	5.82	-
45	-	1.35	1.82	2.30	2.81	3.39	4.07	4.88	-
50	-	-	1.41	1.88	2.35	2.86	3.44	4.11	-
55	-	-	-	1.46	1.91	2.38	2.88	3.46	-
60	-	-	-	-	1.49	1.93	2.39	2.89	-
65	-	-	-	-	-	1.50	1.93	2.38	-

Nominal performance at to = 7.2 °C, tc = 54.4 °C

Cooling capacity	21 231	W
Power input	6 645	W
Current consumption	9.34	A
Mass flow	481	kg/h
C.O.P.	3.19	

Pressure switch settings

Maximum HP switch setting	45	bar(g)
Minimum LP switch setting	1.5	bar(g)
LP pump down setting	2.3	bar(g)

Sound power data

Sound power level	74	dB(A)
With acoustic hood	69	dB(A)

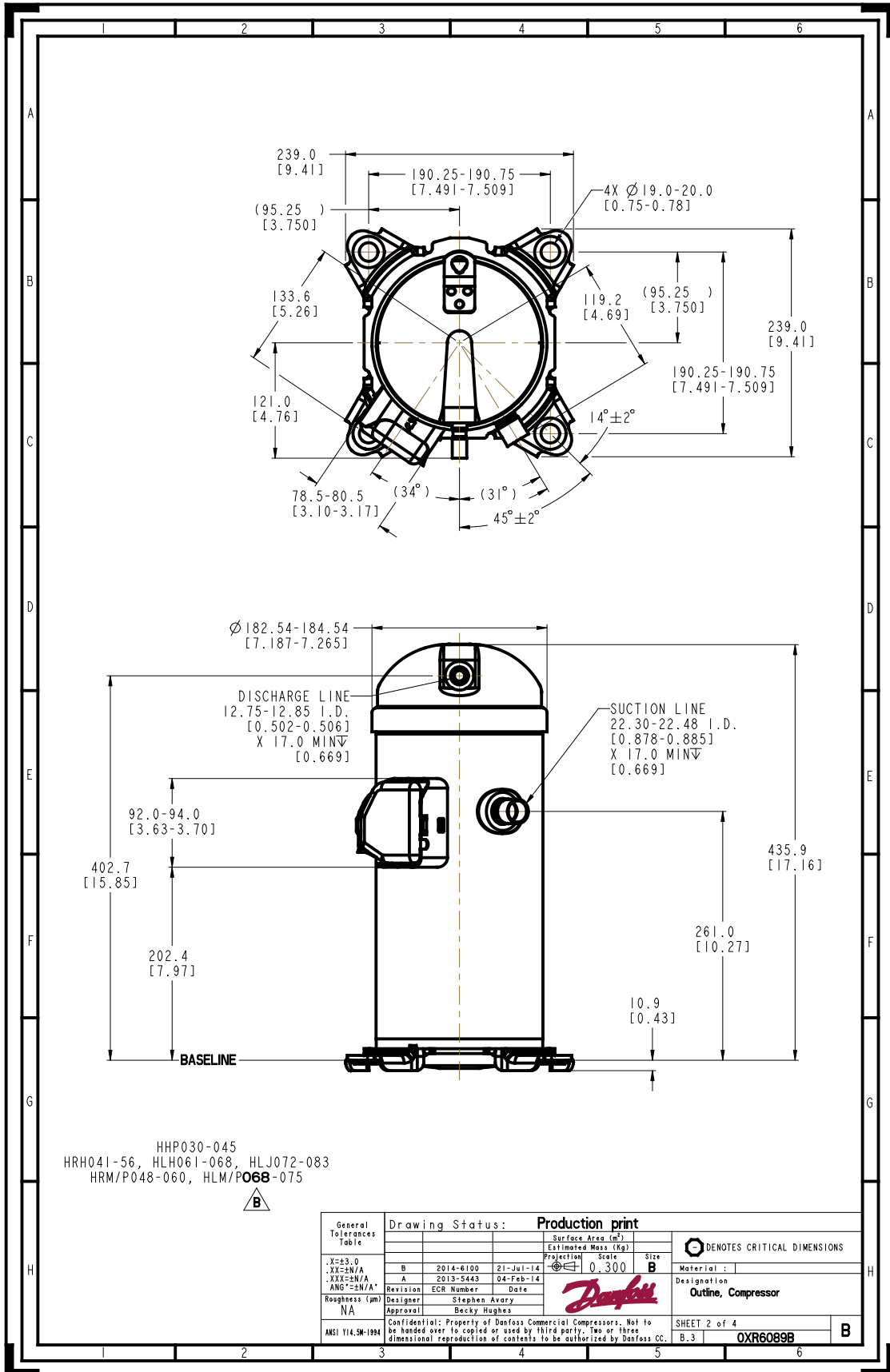
to: Evaporating temperature at dew point

tc: Condensing temperature at dew point

Rating conditions : Superheat = 11.1 K , Subcooling = 8.3 K

Tolerance according EN12900

Danfoss can accept no responsibility for possible errors in catalogues, brochures and other printed material. Danfoss reserves the right to alter its products without notice. This also applies to products already on order provided that such alternations can be made without subsequential changes being necessary in specifications already agreed. All trademarks in this material are property of the respective companies. Danfoss and the Danfoss logotype are trademarks of Danfoss A/S. All rights reserved.

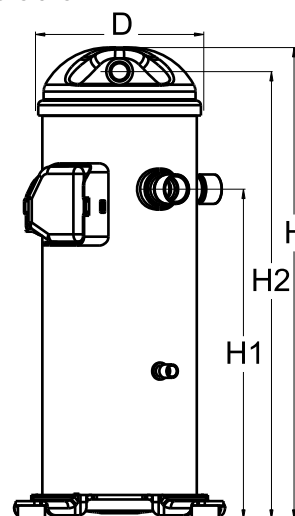


Danfoss can accept no responsibility for possible errors in catalogues, brochures and other printed material. Danfoss reserves the right to alter its products without notice. This also applies to products already on order provided that such alternations can be made without sequential changes being necessary in specifications already agreed. All trademarks in this material are property of the respective companies. Danfoss, the Danfoss logotype and Maneurop are trademarks of Danfoss A/S. All rights reserved.

General Characteristics

Model number (on compressor nameplate)		HLJ072T4LC8
Code number for Singlepack*		120U2167
Code number for Industrial pack**		120U2164
Drawing number		0XR6049B-2
Suction and discharge connections		Brazed
Suction connection		7/8 " ODF
Discharge connection		1/2 " ODF
Oil sight glass		None
Oil equalisation connection		1/2"
Oil drain connection		None
LP gauge port		None
IPR valve		Yes
Swept volume		67.97 cm ³ /rev
Displacement @ Nominal speed		11.8 m ³ /h @ 2900 rpm - 14.3 m ³ /h @ 3500 rpm
Net weight		37.2 kg
Oil charge		1.57 litre, PVE --
Maximum system test pressure Low Side / High side		- bar(g) / - bar(g)
Maximum differential test pressure		- bar
Maximum number of starts per hour		-
Refrigerant charge limit		5.44 kg
Approved refrigerants		R410A

Dimensions

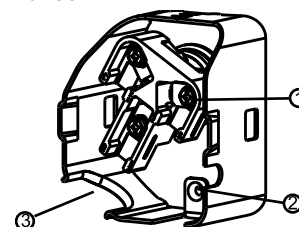


D=183.5 mm
H=455 mm
H1=280 mm
H2=422 mm
H3=- mm

Electrical Characteristics

Nominal voltage	380-415V/3/50Hz - 460V/3/60Hz
Voltage range	342-457 V @ 50Hz - 414-506 V @ 60Hz
Winding resistance between phases 1-2 +/- 7% at 25°C	2.116 Ω
Winding resistance between phases 1-3 +/- 7% at 25°C	2.088 Ω
Winding resistance between phases 2-3 +/- 7% at 25°C	2.072 Ω
Rated Load Amps (RLA)	12.2 A
Maximum Continuous Current (MCC)	19.0 A
Locked Rotor Amps (LRA)	87.0 A
Motor protection	Internal overload protector

Terminal box



IP22

- 1: Screw connectors 10-32 UNF x 9.5
- 2: Earth connection
- 3: Power cable passage

Recommended Installation torques

Oil sight glass	52.5 Nm
Power connections / Earth connection	3 Nm / 2 Nm

Parts shipped with compressor

Mounting kit with grommets and sleeves
Initial oil charge
Installation instructions

Approvals : CE certified, UL certified (file SA11565), -

*Singlepack: Compressor in cardboard box

**Industrial pack: 12 or 16 Unboxed compressors on pallet

Rotolock accessories, suction side

Code no.

Rotolock valve, V05 (1-1/4" Rotolock, 7/8" ODF)	8168030
Gasket, 1-1/4"	8156131

Rotolock accessories, discharge side

Code no.

Solder sleeve, P06 (1" Rotolock, 1/2" ODF)	8153007
Angle adapter, C06 (1" Rotolock, 1/2" ODF)	8168007
Rotolock valve, V06 (1" Rotolock, 1/2" ODF)	8168031
Gasket, 1"	8156130

Rotolock accessories, sets

Code no.

Solder sleeve adapter set (1-1/4" Rotolock, 7/8" ODF), (1" Rotolock, 1/2" ODF)	120Z0127
Gasket set, 1", 1-1/4", 1-3/4", OSG gaskets black & white	8156009

Oil / lubricants

Code no.

PVE lubricant, 320HV (FVC68D), 1 litre can	120Z5034
--	----------

Crankcase heaters

Code no.

Belt type crankcase heater, 50 W, 230 V, CE mark, UL	120Z0057
Belt type crankcase heater, 50 W, 400 V, CE mark, UL	120Z0058

Miscellaneous accessories

Code no.

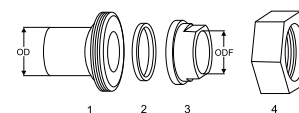
Acoustic hood	120Z5044
Discharge thermostat kit	7750009
IP54 upgrade kit	118U0057

Spare parts

Code no.

Mounting kit for 1 scroll compressor including 4 grommets, 4 sleeves, 4 bolts, 4 washers	120Z5005
Mounting kit, including 1 bolt, 1 sleeve, 1 washer	120Z5031
Terminal box cover	120Z5018

Solder sleeve adapter set



- 1: Rotolock adapter (Suc & Dis)
- 2: Gasket (Suc & Dis)
- 3: Solder sleeve (Suc & Dis)
- 4: Rotolock nut (Suc & Dis)

Performance data at 50 Hz, EN 12900 rating conditions

R410A

Cond. temp. in °C (tc)	Evaporating temperature in °C (to)							
	-25	-20	-15	-10	-5	0	5	10

Cooling capacity in W

30	6 226	7 843	9 656	11 762	14 261	17 250	20 828	25 094	-
35	5 566	7 272	9 091	11 119	13 454	16 193	19 435	23 278	-
40	4 657	6 516	8 404	10 419	12 657	15 213	18 187	21 674	-
45	-	5 507	7 527	9 591	11 795	14 234	17 005	20 203	-
50	-	-	6 392	8 565	10 796	13 180	15 811	18 784	-
55	-	-	-	7 274	9 587	11 972	14 522	17 331	-
60	-	-	-	-	8 097	10 530	13 049	15 743	-
65	-	-	-	-	-	8 762	11 276	13 887	-

Power input in W

30	3 286	3 331	3 359	3 367	3 351	3 309	3 236	3 130	-
35	3 612	3 667	3 707	3 729	3 730	3 706	3 653	3 569	-
40	3 984	4 046	4 095	4 127	4 140	4 130	4 094	4 028	-
45	-	4 477	4 530	4 569	4 590	4 590	4 566	4 514	-
50	-	-	5 022	5 063	5 088	5 095	5 079	5 037	-
55	-	-	-	5 617	5 642	5 651	5 639	5 604	-
60	-	-	-	-	6 261	6 268	6 256	6 223	-
65	-	-	-	-	-	6 954	6 938	6 903	-

Current consumption in A

30	6.23	6.24	6.25	6.25	6.25	6.23	6.20	6.14	-
35	6.68	6.70	6.72	6.73	6.74	6.73	6.69	6.63	-
40	7.18	7.21	7.24	7.26	7.27	7.27	7.23	7.17	-
45	-	7.79	7.83	7.86	7.88	7.88	7.84	7.78	-
50	-	-	8.52	8.56	8.58	8.58	8.55	8.49	-
55	-	-	-	9.38	9.41	9.41	9.38	9.31	-
60	-	-	-	-	10.38	10.38	10.35	10.27	-
65	-	-	-	-	-	11.52	11.49	11.41	-

Mass flow in kg/h

30	130	161	196	235	282	339	406	487	-
35	123	158	194	234	280	333	396	470	-
40	109	149	189	232	278	330	390	460	-
45	-	134	180	226	274	327	386	453	-
50	-	-	163	215	268	323	382	449	-
55	-	-	-	198	256	315	377	444	-
60	-	-	-	-	237	302	368	438	-
65	-	-	-	-	-	282	354	428	-

Coefficient of performance (C.O.P.)

30	1.89	2.35	2.87	3.49	4.26	5.21	6.44	8.02	-
35	1.54	1.98	2.45	2.98	3.61	4.37	5.32	6.52	-
40	1.17	1.61	2.05	2.52	3.06	3.68	4.44	5.38	-
45	-	1.23	1.66	2.10	2.57	3.10	3.72	4.48	-
50	-	-	1.27	1.69	2.12	2.59	3.11	3.73	-
55	-	-	-	1.30	1.70	2.12	2.58	3.09	-
60	-	-	-	-	1.29	1.68	2.09	2.53	-
65	-	-	-	-	-	1.26	1.63	2.01	-

Nominal performance at to = 5 °C, tc = 50 °C

Cooling capacity	15 811	W
Power input	5 079	W
Current consumption	8.55	A
Mass flow	382	kg/h
C.O.P.	3.11	

Pressure switch settings

Maximum HP switch setting	45	bar(g)
Minimum LP switch setting	1.5	bar(g)
LP pump down setting	2.3	bar(g)

Sound power data

Sound power level	71	dB(A)
With acoustic hood	66	dB(A)

to: Evaporating temperature at dew point

tc: Condensing temperature at dew point

Rating conditions : Superheat = 10 K , Subcooling = 0 K

Tolerance according EN12900

Danfoss can accept no responsibility for possible errors in catalogues, brochures and other printed material. Danfoss reserves the right to alter its products without notice. This also applies to products already on order provided that such alternations can be made without subsequential changes being necessary in specifications already agreed. All trademarks in this material are property of the respective companies. Danfoss and the Danfoss logotype are trademarks of Danfoss A/S. All rights reserved.

Performance data at 50 Hz, ARI rating conditions

R410A

Cond. temp. in °C (tc)	Evaporating temperature in °C (to)							
	-25	-20	-15	-10	-5	0	5	10

Cooling capacity in W

30	6 724	8 461	10 406	12 664	15 341	18 540	22 368	26 928	-
35	6 050	7 895	9 858	12 045	14 560	17 507	20 993	25 123	-
40	5 102	7 128	9 182	11 370	13 796	16 565	19 782	23 553	-
45	-	6 081	8 299	10 561	12 970	15 634	18 655	22 140	-
50	-	-	7 132	9 540	12 006	14 636	17 535	20 807	-
55	-	-	-	8 228	10 825	13 494	16 343	19 475	-
60	-	-	-	-	9 348	12 130	15 001	18 066	-
65	-	-	-	-	-	10 465	13 431	16 501	-

Power input in W

30	3 286	3 331	3 359	3 367	3 351	3 309	3 236	3 130	-
35	3 612	3 667	3 707	3 729	3 730	3 706	3 653	3 569	-
40	3 984	4 046	4 095	4 127	4 140	4 130	4 094	4 028	-
45	-	4 477	4 530	4 569	4 590	4 590	4 566	4 514	-
50	-	-	5 022	5 063	5 088	5 095	5 079	5 037	-
55	-	-	-	5 617	5 642	5 651	5 639	5 604	-
60	-	-	-	-	6 261	6 268	6 256	6 223	-
65	-	-	-	-	-	6 954	6 938	6 903	-

Current consumption in A

30	6.23	6.24	6.25	6.25	6.25	6.23	6.20	6.14	-
35	6.68	6.70	6.72	6.73	6.74	6.73	6.69	6.63	-
40	7.18	7.21	7.24	7.26	7.27	7.27	7.23	7.17	-
45	-	7.79	7.83	7.86	7.88	7.88	7.84	7.78	-
50	-	-	8.52	8.56	8.58	8.58	8.55	8.49	-
55	-	-	-	9.38	9.41	9.41	9.38	9.31	-
60	-	-	-	-	10.38	10.38	10.35	10.27	-
65	-	-	-	-	-	11.52	11.49	11.41	-

Mass flow in kg/h

30	129	160	195	234	281	336	403	483	-
35	122	157	193	233	278	331	393	467	-
40	108	148	188	230	276	328	387	456	-
45	-	133	179	225	273	325	383	450	-
50	-	-	162	214	266	321	380	445	-
55	-	-	-	196	254	313	375	441	-
60	-	-	-	-	236	300	366	435	-
65	-	-	-	-	-	280	352	425	-

Coefficient of performance (C.O.P.)

30	2.05	2.54	3.10	3.76	4.58	5.60	6.91	8.60	-
35	1.68	2.15	2.66	3.23	3.90	4.72	5.75	7.04	-
40	1.28	1.76	2.24	2.75	3.33	4.01	4.83	5.85	-
45	-	1.36	1.83	2.31	2.83	3.41	4.09	4.90	-
50	-	-	1.42	1.88	2.36	2.87	3.45	4.13	-
55	-	-	-	1.46	1.92	2.39	2.90	3.48	-
60	-	-	-	-	1.49	1.94	2.40	2.90	-
65	-	-	-	-	-	1.50	1.94	2.39	-

Nominal performance at to = 7.2 °C, tc = 54.4 °C

Cooling capacity	17 834	W
Power input	5 556	W
Current consumption	9.24	A
Mass flow	404	kg/h
C.O.P.	3.21	

Pressure switch settings

Maximum HP switch setting	45	bar(g)
Minimum LP switch setting	1.5	bar(g)
LP pump down setting	2.3	bar(g)

Sound power data

Sound power level	71	dB(A)
With acoustic hood	66	dB(A)

to: Evaporating temperature at dew point

tc: Condensing temperature at dew point

Rating conditions : Superheat = 11.1 K , Subcooling = 8.3 K

Tolerance according EN12900

Danfoss can accept no responsibility for possible errors in catalogues, brochures and other printed material. Danfoss reserves the right to alter its products without notice. This also applies to products already on order provided that such alternations can be made without subsequential changes being necessary in specifications already agreed. All trademarks in this material are property of the respective companies. Danfoss and the Danfoss logotype are trademarks of Danfoss A/S. All rights reserved.

Performance data at 60 Hz, EN 12900 rating conditions
R410A

Cond. temp. in °C (tc)	Evaporating temperature in °C (to)							
	-25	-20	-15	-10	-5	0	5	10

Cooling capacity in W

30	7 392	9 311	11 463	13 965	16 931	20 479	24 727	29 790	-
35	6 612	8 637	10 797	13 206	15 979	19 233	23 083	27 646	-
40	5 537	7 744	9 987	12 381	15 040	18 078	21 612	25 755	-
45	-	6 551	8 950	11 404	14 024	16 925	20 219	24 022	-
50	-	-	7 608	10 191	12 845	15 681	18 812	22 350	-
55	-	-	-	8 662	11 414	14 253	17 290	20 634	-
60	-	-	-	-	9 647	12 545	15 545	18 756	-
65	-	-	-	-	-	10 444	13 441	16 555	-

Power input in W

30	3 923	3 976	4 009	4 019	4 000	3 949	3 862	3 735	-
35	4 312	4 378	4 426	4 453	4 453	4 424	4 362	4 261	-
40	4 760	4 833	4 891	4 930	4 945	4 933	4 890	4 811	-
45	-	5 350	5 413	5 460	5 485	5 485	5 456	5 394	-
50	-	-	6 003	6 052	6 083	6 090	6 071	6 021	-
55	-	-	-	6 718	6 748	6 759	6 745	6 702	-
60	-	-	-	-	7 492	7 500	7 486	7 446	-
65	-	-	-	-	-	8 324	8 305	8 263	-

Current consumption in A

30	6.53	6.58	6.62	6.68	6.74	6.81	6.91	7.04	-
35	6.87	6.93	6.99	7.04	7.10	7.16	7.24	7.34	-
40	7.24	7.33	7.40	7.46	7.52	7.58	7.65	7.73	-
45	-	7.76	7.86	7.94	8.01	8.07	8.14	8.21	-
50	-	-	8.38	8.49	8.58	8.65	8.72	8.79	-
55	-	-	-	9.10	9.22	9.32	9.40	9.47	-
60	-	-	-	-	9.95	10.08	10.18	10.27	-
65	-	-	-	-	-	10.94	11.07	11.18	-

Mass flow in kg/h

30	154	191	232	280	335	402	482	578	-
35	146	187	231	278	332	396	470	558	-
40	129	177	225	275	330	392	463	546	-
45	-	159	214	269	326	389	459	539	-
50	-	-	194	256	319	384	455	534	-
55	-	-	-	235	305	375	449	529	-
60	-	-	-	-	282	360	439	522	-
65	-	-	-	-	-	336	422	510	-

Coefficient of performance (C.O.P.)

30	1.88	2.34	2.86	3.47	4.23	5.19	6.40	7.98	-
35	1.53	1.97	2.44	2.97	3.59	4.35	5.29	6.49	-
40	1.16	1.60	2.04	2.51	3.04	3.66	4.42	5.35	-
45	-	1.22	1.65	2.09	2.56	3.09	3.71	4.45	-
50	-	-	1.27	1.68	2.11	2.57	3.10	3.71	-
55	-	-	-	1.29	1.69	2.11	2.56	3.08	-
60	-	-	-	-	1.29	1.67	2.08	2.52	-
65	-	-	-	-	-	1.25	1.62	2.00	-

Nominal performance at to = 5 °C, tc = 50 °C

Cooling capacity	18 812	W
Power input	6 071	W
Current consumption	8.72	A
Mass flow	455	kg/h
C.O.P.	3.10	

Pressure switch settings

Maximum HP switch setting	45	bar(g)
Minimum LP switch setting	1.5	bar(g)
LP pump down setting	2.3	bar(g)

Sound power data

Sound power level	74	dB(A)
With acoustic hood	69	dB(A)

to: Evaporating temperature at dew point

tc: Condensing temperature at dew point

Rating conditions : Superheat = 10 K , Subcooling = 0 K

Tolerance according EN12900

Danfoss can accept no responsibility for possible errors in catalogues, brochures and other printed material. Danfoss reserves the right to alter its products without notice. This also applies to products already on order provided that such alternations can be made without subsequential changes being necessary in specifications already agreed. All trademarks in this material are property of the respective companies. Danfoss and the Danfoss logotype are trademarks of Danfoss A/S. All rights reserved.

Performance data at 60 Hz, ARI rating conditions
R410A

Cond. temp. in °C (tc)	Evaporating temperature in °C (to)							
	-25	-20	-15	-10	-5	0	5	10

Cooling capacity in W

30	7 983	10 045	12 354	15 035	18 213	22 011	26 554	31 967	-
35	7 187	9 377	11 709	14 305	17 292	20 794	24 934	29 837	-
40	6 066	8 471	10 911	13 511	16 393	19 684	23 507	27 988	-
45	-	7 234	9 869	12 557	15 422	18 589	22 182	26 325	-
50	-	-	8 487	11 351	14 285	17 414	20 863	24 757	-
55	-	-	-	9 798	12 887	16 066	19 458	23 187	-
60	-	-	-	-	11 136	14 450	17 871	21 524	-
65	-	-	-	-	-	12 474	16 010	19 671	-

Power input in W

30	3 923	3 976	4 009	4 019	4 000	3 949	3 862	3 735	-
35	4 312	4 378	4 426	4 453	4 453	4 424	4 362	4 261	-
40	4 760	4 833	4 891	4 930	4 945	4 933	4 890	4 811	-
45	-	5 350	5 413	5 460	5 485	5 485	5 456	5 394	-
50	-	-	6 003	6 052	6 083	6 090	6 071	6 021	-
55	-	-	-	6 718	6 748	6 759	6 745	6 702	-
60	-	-	-	-	7 492	7 500	7 486	7 446	-
65	-	-	-	-	-	8 324	8 305	8 263	-

Current consumption in A

30	6.53	6.58	6.62	6.68	6.74	6.81	6.91	7.04	-
35	6.87	6.93	6.99	7.04	7.10	7.16	7.24	7.34	-
40	7.24	7.33	7.40	7.46	7.52	7.58	7.65	7.73	-
45	-	7.76	7.86	7.94	8.01	8.07	8.14	8.21	-
50	-	-	8.38	8.49	8.58	8.65	8.72	8.79	-
55	-	-	-	9.10	9.22	9.32	9.40	9.47	-
60	-	-	-	-	9.95	10.08	10.18	10.27	-
65	-	-	-	-	-	10.94	11.07	11.18	-

Mass flow in kg/h

30	154	190	231	278	333	399	479	574	-
35	145	186	229	276	330	393	467	554	-
40	128	176	224	274	328	389	460	542	-
45	-	158	213	267	324	386	456	535	-
50	-	-	193	255	317	382	452	530	-
55	-	-	-	234	303	373	446	525	-
60	-	-	-	-	281	358	436	518	-
65	-	-	-	-	-	334	419	507	-

Coefficient of performance (C.O.P.)

30	2.04	2.53	3.08	3.74	4.55	5.57	6.88	8.56	-
35	1.67	2.14	2.65	3.21	3.88	4.70	5.72	7.00	-
40	1.27	1.75	2.23	2.74	3.32	3.99	4.81	5.82	-
45	-	1.35	1.82	2.30	2.81	3.39	4.07	4.88	-
50	-	-	1.41	1.88	2.35	2.86	3.44	4.11	-
55	-	-	-	1.46	1.91	2.38	2.88	3.46	-
60	-	-	-	-	1.49	1.93	2.39	2.89	-
65	-	-	-	-	-	1.50	1.93	2.38	-

Nominal performance at to = 7.2 °C, tc = 54.4 °C

Cooling capacity	21 231	W
Power input	6 645	W
Current consumption	9.34	A
Mass flow	481	kg/h
C.O.P.	3.19	

Pressure switch settings

Maximum HP switch setting	45	bar(g)
Minimum LP switch setting	1.5	bar(g)
LP pump down setting	2.3	bar(g)

Sound power data

Sound power level	74	dB(A)
With acoustic hood	69	dB(A)

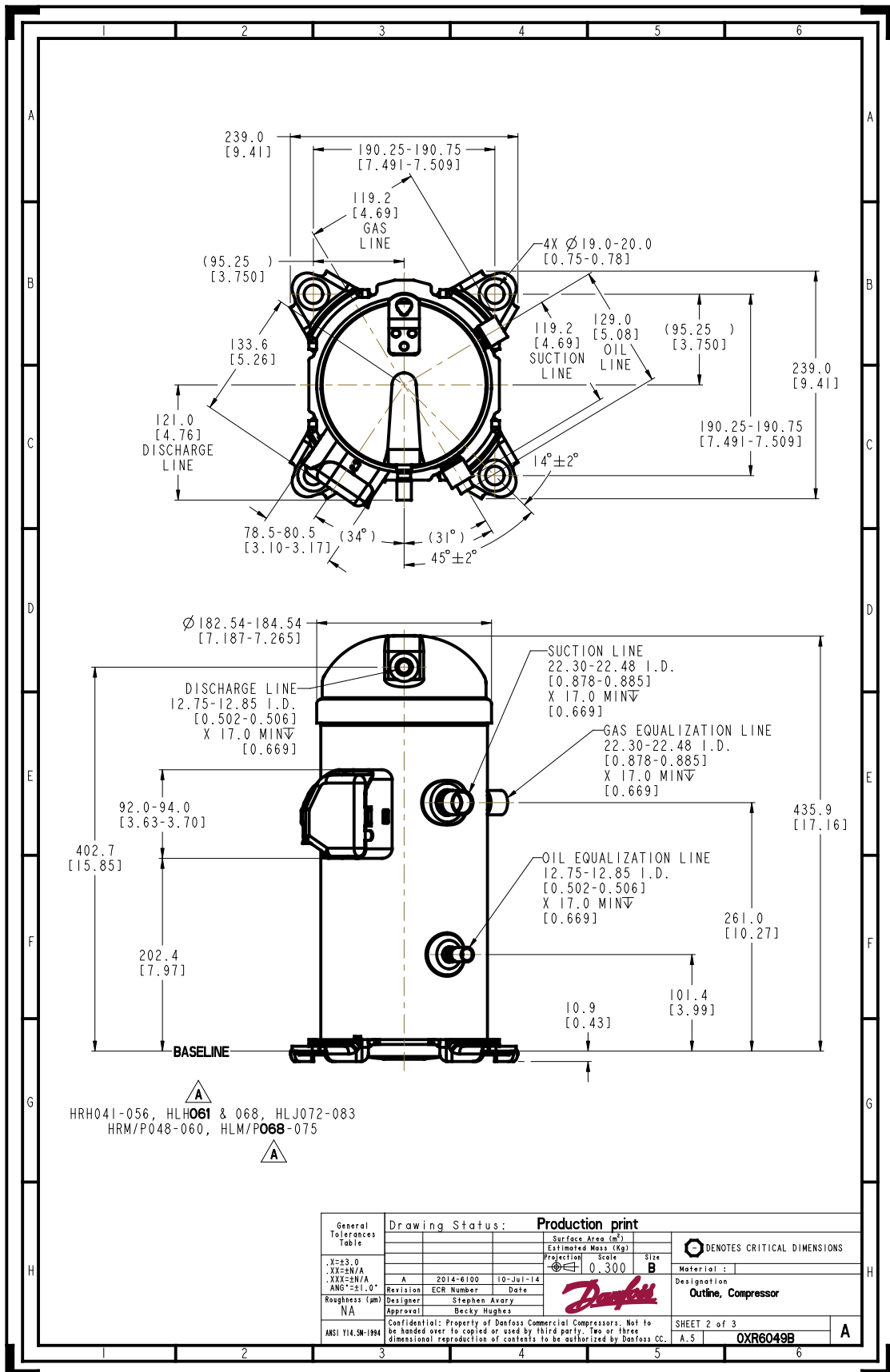
to: Evaporating temperature at dew point

tc: Condensing temperature at dew point

Rating conditions : Superheat = 11.1 K , Subcooling = 8.3 K

Tolerance according EN12900

Danfoss can accept no responsibility for possible errors in catalogues, brochures and other printed material. Danfoss reserves the right to alter its products without notice. This also applies to products already on order provided that such alternations can be made without subsequential changes being necessary in specifications already agreed. All trademarks in this material are property of the respective companies. Danfoss and the Danfoss logotype are trademarks of Danfoss A/S. All rights reserved.



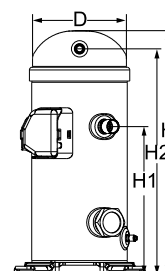
General Tolerances Table	Drawing Status: Production print			Surface Area (m ²)	Estimated Mass (kg)	Projection Scale	Size B	Material:	DENOTES CRITICAL DIMENSIONS
	Y=±3.0	XX=±N/A	XX=±N/A						
ANG=±1.0°	Revision	ECR Number	Date						
Roughness (µm)	Designer	Stephen Avary							
NA	Approval	Becky Hughes							
ANSI Y14.5M-1994	Confidential: Property of Danfoss Commercial Compressors. Not to be handed over, copied or used by third party. Two or three dimensional reproduction of contents to be authorized by Danfoss CC.			SHEET 2 of 3		A.5		OXR6049B	

Danfoss can accept no responsibility for possible errors in catalogues, brochures and other printed material. Danfoss reserves the right to alter its products without notice. This also applies to products already on order provided that such alternations can be made without consequential changes being necessary in specifications already agreed. All trademarks in this material are property of the respective companies. Danfoss, the Danfoss logotype and Maneurop are trademarks of Danfoss A/S. All rights reserved.

General Characteristics

Model number (on compressor nameplate)		HLJ072T4LCT
Code number for Singlepack*		121L3171
Code number for Industrial pack**		121L3170
Drawing number		0XR6089B-5
Suction and discharge connections		Brazed
Suction connection		7/8 " ODF
Discharge connection		1/2 " ODF
Oil sight glass		None
Oil equalisation connection		1-1/8" Rotolock
Oil drain connection		Schrader
LP gauge port		None
IPR valve		Yes
Swept volume		67.97 cm3/rev
Displacement @ Nominal speed		11.8 m3/h @ 2900 rpm - 14.3 m3/h @ 3500 rpm
Net weight		37.2 kg
Oil charge		1.57 litre, PVE --
Maximum system test pressure Low Side / High side		- bar(g) / - bar(g)
Maximum differential test pressure		- bar
Maximum number of starts per hour		-
Refrigerant charge limit		5.44 kg
Approved refrigerants		R410A

Dimensions

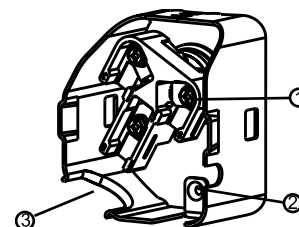


D=183.5 mm
H=446.8 mm
H1=271.9 mm
H2=413.6 mm
H3=- mm

Electrical Characteristics

Nominal voltage	380-415V/3/50Hz - 460V/3/60Hz
Voltage range	342-457 V @ 50Hz - 414-506 V @ 60Hz
Winding resistance between phases 1-2 +/- 7% at 25°C	2.116 Ω
Winding resistance between phases 1-3 +/- 7% at 25°C	2.088 Ω
Winding resistance between phases 2-3 +/- 7% at 25°C	2.072 Ω
Rated Load Amps (RLA)	12.2 A
Maximum Continuous Current (MCC)	19.0 A
Locked Rotor Amps (LRA)	87.0 A
Motor protection	Internal overload protector

Terminal box



IP22

- 1: Screw connectors 10-32 UNF x 9.5
- 2: Earth connection
- 3: Power cable passage

Recommended Installation torques

Oil sight glass	52.5 Nm
Power connections / Earth connection	3 Nm / 2 Nm

Parts shipped with compressor

Mounting kit with grommets and sleeves
Initial oil charge
Installation instructions

Approvals : CE certified, UL certified (file SA11565), -

*Singlepack: Compressor in cardboard box

**Industrial pack: 12 or 16 Unboxed compressors on pallet

Rotolock accessories, suction side

Code no.

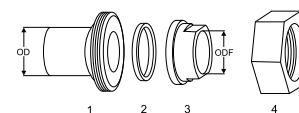
Rotolock valve, V05 (1-1/4" Rotolock, 7/8" ODF)	8168030
Gasket, 1-1/4"	8156131

Rotolock accessories, discharge side

Code no.

Solder sleeve, P06 (1" Rotolock, 1/2" ODF)	8153007
Angle adapter, C06 (1" Rotolock, 1/2" ODF)	8168007
Rotolock valve, V06 (1" Rotolock, 1/2" ODF)	8168031
Gasket, 1"	8156130

Solder sleeve adapter set



- 1: Rotolock adapter (Suc & Dis)
- 2: Gasket (Suc & Dis)
- 3: Solder sleeve (Suc & Dis)
- 4: Rotolock nut (Suc & Dis)

Rotolock accessories, sets

Code no.

Solder sleeve adapter set (1-1/4" Rotolock, 7/8" ODF), (1" Rotolock, 1/2" ODF)	120Z0127
Gasket set, 1", 1-1/4", 1-3/4", OSG gaskets black & white	8156009

Oil / lubricants

Code no.

PVE lubricant, 320HV (FVC68D), 1 litre can	120Z5034
--	----------

Crankcase heaters

Code no.

Belt type crankcase heater, 50 W, 230 V, CE mark, UL	120Z0057
Belt type crankcase heater, 50 W, 400 V, CE mark, UL	120Z0058

Miscellaneous accessories

Code no.

Acoustic hood	120Z5044
Discharge thermostat kit	7750009
IP54 upgrade kit	118U0057

Spare parts

Code no.

Mounting kit for 1 scroll compressor including 4 grommets, 4 sleeves, 4 bolts, 4 washers	120Z5005
Mounting kit, including 1 bolt, 1 sleeve, 1 washer	120Z5031
Terminal box cover	120Z5018

Performance data at 50 Hz, EN 12900 rating conditions

R410A

Cond. temp. in °C (tc)	Evaporating temperature in °C (to)							
	-25	-20	-15	-10	-5	0	5	10

Cooling capacity in W

30	6 226	7 843	9 656	11 762	14 261	17 250	20 828	25 094	-
35	5 566	7 272	9 091	11 119	13 454	16 193	19 435	23 278	-
40	4 657	6 516	8 404	10 419	12 657	15 213	18 187	21 674	-
45	-	5 507	7 527	9 591	11 795	14 234	17 005	20 203	-
50	-	-	6 392	8 565	10 796	13 180	15 811	18 784	-
55	-	-	-	7 274	9 587	11 972	14 522	17 331	-
60	-	-	-	-	8 097	10 530	13 049	15 743	-
65	-	-	-	-	-	8 762	11 276	13 887	-

Power input in W

30	3 286	3 331	3 359	3 367	3 351	3 309	3 236	3 130	-
35	3 612	3 667	3 707	3 729	3 730	3 706	3 653	3 569	-
40	3 984	4 046	4 095	4 127	4 140	4 130	4 094	4 028	-
45	-	4 477	4 530	4 569	4 590	4 590	4 566	4 514	-
50	-	-	5 022	5 063	5 088	5 095	5 079	5 037	-
55	-	-	-	5 617	5 642	5 651	5 639	5 604	-
60	-	-	-	-	6 261	6 268	6 256	6 223	-
65	-	-	-	-	-	6 954	6 938	6 903	-

Current consumption in A

30	6.23	6.24	6.25	6.25	6.25	6.23	6.20	6.14	-
35	6.68	6.70	6.72	6.73	6.74	6.73	6.69	6.63	-
40	7.18	7.21	7.24	7.26	7.27	7.27	7.23	7.17	-
45	-	7.79	7.83	7.86	7.88	7.88	7.84	7.78	-
50	-	-	8.52	8.56	8.58	8.58	8.55	8.49	-
55	-	-	-	9.38	9.41	9.41	9.38	9.31	-
60	-	-	-	-	10.38	10.38	10.35	10.27	-
65	-	-	-	-	-	11.52	11.49	11.41	-

Mass flow in kg/h

30	130	161	196	235	282	339	406	487	-
35	123	158	194	234	280	333	396	470	-
40	109	149	189	232	278	330	390	460	-
45	-	134	180	226	274	327	386	453	-
50	-	-	163	215	268	323	382	449	-
55	-	-	-	198	256	315	377	444	-
60	-	-	-	-	237	302	368	438	-
65	-	-	-	-	-	282	354	428	-

Coefficient of performance (C.O.P.)

30	1.89	2.35	2.87	3.49	4.26	5.21	6.44	8.02	-
35	1.54	1.98	2.45	2.98	3.61	4.37	5.32	6.52	-
40	1.17	1.61	2.05	2.52	3.06	3.68	4.44	5.38	-
45	-	1.23	1.66	2.10	2.57	3.10	3.72	4.48	-
50	-	-	1.27	1.69	2.12	2.59	3.11	3.73	-
55	-	-	-	1.30	1.70	2.12	2.58	3.09	-
60	-	-	-	-	1.29	1.68	2.09	2.53	-
65	-	-	-	-	-	1.26	1.63	2.01	-

Nominal performance at to = 5 °C, tc = 50 °C

Cooling capacity	15 811	W
Power input	5 079	W
Current consumption	8.55	A
Mass flow	382	kg/h
C.O.P.	3.11	

Pressure switch settings

Maximum HP switch setting	45	bar(g)
Minimum LP switch setting	1.5	bar(g)
LP pump down setting	2.3	bar(g)

Sound power data

Sound power level	71	dB(A)
With acoustic hood	66	dB(A)

to: Evaporating temperature at dew point

tc: Condensing temperature at dew point

Rating conditions : Superheat = 10 K , Subcooling = 0 K

Tolerance according EN12900

Danfoss can accept no responsibility for possible errors in catalogues, brochures and other printed material. Danfoss reserves the right to alter its products without notice. This also applies to products already on order provided that such alternations can be made without subsequential changes being necessary in specifications already agreed. All trademarks in this material are property of the respective companies. Danfoss and the Danfoss logotype are trademarks of Danfoss A/S. All rights reserved.

Performance data at 50 Hz, ARI rating conditions

R410A

Cond. temp. in °C (tc)	Evaporating temperature in °C (to)							
	-25	-20	-15	-10	-5	0	5	10

Cooling capacity in W

30	6 724	8 461	10 406	12 664	15 341	18 540	22 368	26 928	-
35	6 050	7 895	9 858	12 045	14 560	17 507	20 993	25 123	-
40	5 102	7 128	9 182	11 370	13 796	16 565	19 782	23 553	-
45	-	6 081	8 299	10 561	12 970	15 634	18 655	22 140	-
50	-	-	7 132	9 540	12 006	14 636	17 535	20 807	-
55	-	-	-	8 228	10 825	13 494	16 343	19 475	-
60	-	-	-	-	9 348	12 130	15 001	18 066	-
65	-	-	-	-	-	10 465	13 431	16 501	-

Power input in W

30	3 286	3 331	3 359	3 367	3 351	3 309	3 236	3 130	-
35	3 612	3 667	3 707	3 729	3 730	3 706	3 653	3 569	-
40	3 984	4 046	4 095	4 127	4 140	4 130	4 094	4 028	-
45	-	4 477	4 530	4 569	4 590	4 590	4 566	4 514	-
50	-	-	5 022	5 063	5 088	5 095	5 079	5 037	-
55	-	-	-	5 617	5 642	5 651	5 639	5 604	-
60	-	-	-	-	6 261	6 268	6 256	6 223	-
65	-	-	-	-	-	6 954	6 938	6 903	-

Current consumption in A

30	6.23	6.24	6.25	6.25	6.25	6.23	6.20	6.14	-
35	6.68	6.70	6.72	6.73	6.74	6.73	6.69	6.63	-
40	7.18	7.21	7.24	7.26	7.27	7.27	7.23	7.17	-
45	-	7.79	7.83	7.86	7.88	7.88	7.84	7.78	-
50	-	-	8.52	8.56	8.58	8.58	8.55	8.49	-
55	-	-	-	9.38	9.41	9.41	9.38	9.31	-
60	-	-	-	-	10.38	10.38	10.35	10.27	-
65	-	-	-	-	-	11.52	11.49	11.41	-

Mass flow in kg/h

30	129	160	195	234	281	336	403	483	-
35	122	157	193	233	278	331	393	467	-
40	108	148	188	230	276	328	387	456	-
45	-	133	179	225	273	325	383	450	-
50	-	-	162	214	266	321	380	445	-
55	-	-	-	196	254	313	375	441	-
60	-	-	-	-	236	300	366	435	-
65	-	-	-	-	-	280	352	425	-

Coefficient of performance (C.O.P.)

30	2.05	2.54	3.10	3.76	4.58	5.60	6.91	8.60	-
35	1.68	2.15	2.66	3.23	3.90	4.72	5.75	7.04	-
40	1.28	1.76	2.24	2.75	3.33	4.01	4.83	5.85	-
45	-	1.36	1.83	2.31	2.83	3.41	4.09	4.90	-
50	-	-	1.42	1.88	2.36	2.87	3.45	4.13	-
55	-	-	-	1.46	1.92	2.39	2.90	3.48	-
60	-	-	-	-	1.49	1.94	2.40	2.90	-
65	-	-	-	-	-	1.50	1.94	2.39	-

Nominal performance at to = 7.2 °C, tc = 54.4 °C

Cooling capacity	17 834	W
Power input	5 556	W
Current consumption	9.24	A
Mass flow	404	kg/h
C.O.P.	3.21	

Pressure switch settings

Maximum HP switch setting	45	bar(g)
Minimum LP switch setting	1.5	bar(g)
LP pump down setting	2.3	bar(g)

Sound power data

Sound power level	71	dB(A)
With acoustic hood	66	dB(A)

to: Evaporating temperature at dew point

tc: Condensing temperature at dew point

Rating conditions : Superheat = 11.1 K , Subcooling = 8.3 K

Tolerance according EN12900

Danfoss can accept no responsibility for possible errors in catalogues, brochures and other printed material. Danfoss reserves the right to alter its products without notice. This also applies to products already on order provided that such alternations can be made without subsequential changes being necessary in specifications already agreed. All trademarks in this material are property of the respective companies. Danfoss and the Danfoss logotype are trademarks of Danfoss A/S. All rights reserved.

Performance data at 60 Hz, EN 12900 rating conditions
R410A

Cond. temp. in °C (tc)	Evaporating temperature in °C (to)							
	-25	-20	-15	-10	-5	0	5	10

Cooling capacity in W

30	7 392	9 311	11 463	13 965	16 931	20 479	24 727	29 790	-
35	6 612	8 637	10 797	13 206	15 979	19 233	23 083	27 646	-
40	5 537	7 744	9 987	12 381	15 040	18 078	21 612	25 755	-
45	-	6 551	8 950	11 404	14 024	16 925	20 219	24 022	-
50	-	-	7 608	10 191	12 845	15 681	18 812	22 350	-
55	-	-	-	8 662	11 414	14 253	17 290	20 634	-
60	-	-	-	-	9 647	12 545	15 545	18 756	-
65	-	-	-	-	-	10 444	13 441	16 555	-

Power input in W

30	3 923	3 976	4 009	4 019	4 000	3 949	3 862	3 735	-
35	4 312	4 378	4 426	4 453	4 453	4 424	4 362	4 261	-
40	4 760	4 833	4 891	4 930	4 945	4 933	4 890	4 811	-
45	-	5 350	5 413	5 460	5 485	5 485	5 456	5 394	-
50	-	-	6 003	6 052	6 083	6 090	6 071	6 021	-
55	-	-	-	6 718	6 748	6 759	6 745	6 702	-
60	-	-	-	-	7 492	7 500	7 486	7 446	-
65	-	-	-	-	-	8 324	8 305	8 263	-

Current consumption in A

30	6.53	6.58	6.62	6.68	6.74	6.81	6.91	7.04	-
35	6.87	6.93	6.99	7.04	7.10	7.16	7.24	7.34	-
40	7.24	7.33	7.40	7.46	7.52	7.58	7.65	7.73	-
45	-	7.76	7.86	7.94	8.01	8.07	8.14	8.21	-
50	-	-	8.38	8.49	8.58	8.65	8.72	8.79	-
55	-	-	-	9.10	9.22	9.32	9.40	9.47	-
60	-	-	-	-	9.95	10.08	10.18	10.27	-
65	-	-	-	-	-	10.94	11.07	11.18	-

Mass flow in kg/h

30	154	191	232	280	335	402	482	578	-
35	146	187	231	278	332	396	470	558	-
40	129	177	225	275	330	392	463	546	-
45	-	159	214	269	326	389	459	539	-
50	-	-	194	256	319	384	455	534	-
55	-	-	-	235	305	375	449	529	-
60	-	-	-	-	282	360	439	522	-
65	-	-	-	-	-	336	422	510	-

Coefficient of performance (C.O.P.)

30	1.88	2.34	2.86	3.47	4.23	5.19	6.40	7.98	-
35	1.53	1.97	2.44	2.97	3.59	4.35	5.29	6.49	-
40	1.16	1.60	2.04	2.51	3.04	3.66	4.42	5.35	-
45	-	1.22	1.65	2.09	2.56	3.09	3.71	4.45	-
50	-	-	1.27	1.68	2.11	2.57	3.10	3.71	-
55	-	-	-	1.29	1.69	2.11	2.56	3.08	-
60	-	-	-	-	1.29	1.67	2.08	2.52	-
65	-	-	-	-	-	1.25	1.62	2.00	-

Nominal performance at to = 5 °C, tc = 50 °C

Cooling capacity	18 812	W
Power input	6 071	W
Current consumption	8.72	A
Mass flow	455	kg/h
C.O.P.	3.10	

Pressure switch settings

Maximum HP switch setting	45	bar(g)
Minimum LP switch setting	1.5	bar(g)
LP pump down setting	2.3	bar(g)

Sound power data

Sound power level	74	dB(A)
With acoustic hood	69	dB(A)

to: Evaporating temperature at dew point

tc: Condensing temperature at dew point

Rating conditions : Superheat = 10 K , Subcooling = 0 K

Tolerance according EN12900

Danfoss can accept no responsibility for possible errors in catalogues, brochures and other printed material. Danfoss reserves the right to alter its products without notice. This also applies to products already on order provided that such alternations can be made without subsequential changes being necessary in specifications already agreed. All trademarks in this material are property of the respective companies. Danfoss and the Danfoss logotype are trademarks of Danfoss A/S. All rights reserved.

Performance data at 60 Hz, ARI rating conditions
R410A

Cond. temp. in °C (tc)	Evaporating temperature in °C (to)							
	-25	-20	-15	-10	-5	0	5	10

Cooling capacity in W

30	7 983	10 045	12 354	15 035	18 213	22 011	26 554	31 967	-
35	7 187	9 377	11 709	14 305	17 292	20 794	24 934	29 837	-
40	6 066	8 471	10 911	13 511	16 393	19 684	23 507	27 988	-
45	-	7 234	9 869	12 557	15 422	18 589	22 182	26 325	-
50	-	-	8 487	11 351	14 285	17 414	20 863	24 757	-
55	-	-	-	9 798	12 887	16 066	19 458	23 187	-
60	-	-	-	-	11 136	14 450	17 871	21 524	-
65	-	-	-	-	-	12 474	16 010	19 671	-

Power input in W

30	3 923	3 976	4 009	4 019	4 000	3 949	3 862	3 735	-
35	4 312	4 378	4 426	4 453	4 453	4 424	4 362	4 261	-
40	4 760	4 833	4 891	4 930	4 945	4 933	4 890	4 811	-
45	-	5 350	5 413	5 460	5 485	5 485	5 456	5 394	-
50	-	-	6 003	6 052	6 083	6 090	6 071	6 021	-
55	-	-	-	6 718	6 748	6 759	6 745	6 702	-
60	-	-	-	-	7 492	7 500	7 486	7 446	-
65	-	-	-	-	-	8 324	8 305	8 263	-

Current consumption in A

30	6.53	6.58	6.62	6.68	6.74	6.81	6.91	7.04	-
35	6.87	6.93	6.99	7.04	7.10	7.16	7.24	7.34	-
40	7.24	7.33	7.40	7.46	7.52	7.58	7.65	7.73	-
45	-	7.76	7.86	7.94	8.01	8.07	8.14	8.21	-
50	-	-	8.38	8.49	8.58	8.65	8.72	8.79	-
55	-	-	-	9.10	9.22	9.32	9.40	9.47	-
60	-	-	-	-	9.95	10.08	10.18	10.27	-
65	-	-	-	-	-	10.94	11.07	11.18	-

Mass flow in kg/h

30	154	190	231	278	333	399	479	574	-
35	145	186	229	276	330	393	467	554	-
40	128	176	224	274	328	389	460	542	-
45	-	158	213	267	324	386	456	535	-
50	-	-	193	255	317	382	452	530	-
55	-	-	-	234	303	373	446	525	-
60	-	-	-	-	281	358	436	518	-
65	-	-	-	-	-	334	419	507	-

Coefficient of performance (C.O.P.)

30	2.04	2.53	3.08	3.74	4.55	5.57	6.88	8.56	-
35	1.67	2.14	2.65	3.21	3.88	4.70	5.72	7.00	-
40	1.27	1.75	2.23	2.74	3.32	3.99	4.81	5.82	-
45	-	1.35	1.82	2.30	2.81	3.39	4.07	4.88	-
50	-	-	1.41	1.88	2.35	2.86	3.44	4.11	-
55	-	-	-	1.46	1.91	2.38	2.88	3.46	-
60	-	-	-	-	1.49	1.93	2.39	2.89	-
65	-	-	-	-	-	1.50	1.93	2.38	-

Nominal performance at to = 7.2 °C, tc = 54.4 °C

Cooling capacity	21 231	W
Power input	6 645	W
Current consumption	9.34	A
Mass flow	481	kg/h
C.O.P.	3.19	

Pressure switch settings

Maximum HP switch setting	45	bar(g)
Minimum LP switch setting	1.5	bar(g)
LP pump down setting	2.3	bar(g)

Sound power data

Sound power level	74	dB(A)
With acoustic hood	69	dB(A)

to: Evaporating temperature at dew point

tc: Condensing temperature at dew point

Rating conditions : Superheat = 11.1 K , Subcooling = 8.3 K

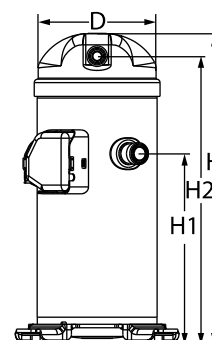
Tolerance according EN12900

Danfoss can accept no responsibility for possible errors in catalogues, brochures and other printed material. Danfoss reserves the right to alter its products without notice. This also applies to products already on order provided that such alternations can be made without subsequential changes being necessary in specifications already agreed. All trademarks in this material are property of the respective companies. Danfoss and the Danfoss logotype are trademarks of Danfoss A/S. All rights reserved.

General Characteristics

Model number (on compressor nameplate)		HLJ072T4LQ6
Code number for Singlepack*		121U3127
Code number for Industrial pack**		121U3126
Drawing number		0XR6089B-3
Suction and discharge connections		Rotolock
Suction connection		3/4 " Rotolock
Discharge connection		1/2 " Rotolock
Oil sight glass		None
Oil equalisation connection		None
Oil drain connection		None
LP gauge port		None
IPR valve		Yes
Swept volume		67.97 cm ³ /rev
Displacement @ Nominal speed		11.8 m ³ /h @ 2900 rpm - 14.3 m ³ /h @ 3500 rpm
Net weight		37.2 kg
Oil charge		1.57 litre, PVE --
Maximum system test pressure Low Side / High side		- bar(g) / - bar(g)
Maximum differential test pressure		- bar
Maximum number of starts per hour		-
Refrigerant charge limit		5.44 kg
Approved refrigerants		R410A

Dimensions

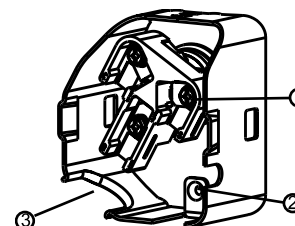


D=183.5 mm
H=455 mm
H1=280 mm
H2=422 mm
H3=- mm

Electrical Characteristics

Nominal voltage		380-415V/3/50Hz - 460V/3/60Hz
Voltage range		342-457 V @ 50Hz - 414-506 V @ 60Hz
Winding resistance between phases 1-2 +/- 7% at 25°C		2.116 Ω
Winding resistance between phases 1-3 +/- 7% at 25°C		2.088 Ω
Winding resistance between phases 2-3 +/- 7% at 25°C		2.072 Ω
Rated Load Amps (RLA)		12.2 A
Maximum Continuous Current (MCC)		19.0 A
Locked Rotor Amps (LRA)		87.0 A
Motor protection		Internal overload protector

Terminal box



IP22

- 1: Screw connectors 10-32 UNF x 9.5
- 2: Earth connection
- 3: Power cable passage

Recommended Installation torques

Oil sight glass		52.5 Nm
Power connections / Earth connection		3 Nm / 2 Nm

Parts shipped with compressor

Mounting kit with grommets and sleeves
Initial oil charge
Installation instructions

Approvals : CE certified, UL certified (file SA11565), -

*Singlepack: Compressor in cardboard box

**Industrial pack: 12 or 16 Unboxed compressors on pallet

Rotolock accessories, suction side **Code no.**

Rotolock accessories, discharge side **Code no.**

Rotolock accessories, sets **Code no.**

Oil / lubricants **Code no.**

PVE lubricant, 320HV (FVC68D), 1 litre can	120Z5034
--	----------

Crankcase heaters **Code no.**

Belt type crankcase heater, 50 W, 230 V, CE mark, UL	120Z0057
Belt type crankcase heater, 50 W, 400 V, CE mark, UL	120Z0058

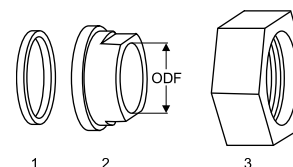
Miscellaneous accessories **Code no.**

Acoustic hood	120Z5044
Discharge thermostat kit	7750009
IP54 upgrade kit	118U0057

Spare parts **Code no.**

Mounting kit for 1 scroll compressor including 4 grommets, 4 sleeves, 4 bolts, 4 washers	120Z5005
Mounting kit, including 1 bolt, 1 sleeve, 1 washer	120Z5031
Terminal box cover	120Z5018

Gaskets, sleeves and nuts



- 1: Gasket
- 2: Solder sleeve
- 3: Rotolock nut

Performance data at 50 Hz, EN 12900 rating conditions

R410A

Cond. temp. in °C (tc)	Evaporating temperature in °C (to)							
	-25	-20	-15	-10	-5	0	5	10

Cooling capacity in W

30	6 226	7 843	9 656	11 762	14 261	17 250	20 828	25 094	-
35	5 566	7 272	9 091	11 119	13 454	16 193	19 435	23 278	-
40	4 657	6 516	8 404	10 419	12 657	15 213	18 187	21 674	-
45	-	5 507	7 527	9 591	11 795	14 234	17 005	20 203	-
50	-	-	6 392	8 565	10 796	13 180	15 811	18 784	-
55	-	-	-	7 274	9 587	11 972	14 522	17 331	-
60	-	-	-	-	8 097	10 530	13 049	15 743	-
65	-	-	-	-	-	8 762	11 276	13 887	-

Power input in W

30	3 286	3 331	3 359	3 367	3 351	3 309	3 236	3 130	-
35	3 612	3 667	3 707	3 729	3 730	3 706	3 653	3 569	-
40	3 984	4 046	4 095	4 127	4 140	4 130	4 094	4 028	-
45	-	4 477	4 530	4 569	4 590	4 590	4 566	4 514	-
50	-	-	5 022	5 063	5 088	5 095	5 079	5 037	-
55	-	-	-	5 617	5 642	5 651	5 639	5 604	-
60	-	-	-	-	6 261	6 268	6 256	6 223	-
65	-	-	-	-	-	6 954	6 938	6 903	-

Current consumption in A

30	6.23	6.24	6.25	6.25	6.25	6.23	6.20	6.14	-
35	6.68	6.70	6.72	6.73	6.74	6.73	6.69	6.63	-
40	7.18	7.21	7.24	7.26	7.27	7.27	7.23	7.17	-
45	-	7.79	7.83	7.86	7.88	7.88	7.84	7.78	-
50	-	-	8.52	8.56	8.58	8.58	8.55	8.49	-
55	-	-	-	9.38	9.41	9.41	9.38	9.31	-
60	-	-	-	-	10.38	10.38	10.35	10.27	-
65	-	-	-	-	-	11.52	11.49	11.41	-

Mass flow in kg/h

30	130	161	196	235	282	339	406	487	-
35	123	158	194	234	280	333	396	470	-
40	109	149	189	232	278	330	390	460	-
45	-	134	180	226	274	327	386	453	-
50	-	-	163	215	268	323	382	449	-
55	-	-	-	198	256	315	377	444	-
60	-	-	-	-	237	302	368	438	-
65	-	-	-	-	-	282	354	428	-

Coefficient of performance (C.O.P.)

30	1.89	2.35	2.87	3.49	4.26	5.21	6.44	8.02	-
35	1.54	1.98	2.45	2.98	3.61	4.37	5.32	6.52	-
40	1.17	1.61	2.05	2.52	3.06	3.68	4.44	5.38	-
45	-	1.23	1.66	2.10	2.57	3.10	3.72	4.48	-
50	-	-	1.27	1.69	2.12	2.59	3.11	3.73	-
55	-	-	-	1.30	1.70	2.12	2.58	3.09	-
60	-	-	-	-	1.29	1.68	2.09	2.53	-
65	-	-	-	-	-	1.26	1.63	2.01	-

Nominal performance at to = 5 °C, tc = 50 °C

Cooling capacity	15 811	W
Power input	5 079	W
Current consumption	8.55	A
Mass flow	382	kg/h
C.O.P.	3.11	

Pressure switch settings

Maximum HP switch setting	45	bar(g)
Minimum LP switch setting	1.5	bar(g)
LP pump down setting	2.3	bar(g)

Sound power data

Sound power level	71	dB(A)
With acoustic hood	66	dB(A)

to: Evaporating temperature at dew point

tc: Condensing temperature at dew point

Rating conditions : Superheat = 10 K , Subcooling = 0 K

Tolerance according EN12900

Danfoss can accept no responsibility for possible errors in catalogues, brochures and other printed material. Danfoss reserves the right to alter its products without notice. This also applies to products already on order provided that such alternations can be made without subsequential changes being necessary in specifications already agreed. All trademarks in this material are property of the respective companies. Danfoss and the Danfoss logotype are trademarks of Danfoss A/S. All rights reserved.

Performance data at 50 Hz, ARI rating conditions

R410A

Cond. temp. in °C (tc)	Evaporating temperature in °C (to)							
	-25	-20	-15	-10	-5	0	5	10

Cooling capacity in W

30	6 724	8 461	10 406	12 664	15 341	18 540	22 368	26 928	-
35	6 050	7 895	9 858	12 045	14 560	17 507	20 993	25 123	-
40	5 102	7 128	9 182	11 370	13 796	16 565	19 782	23 553	-
45	-	6 081	8 299	10 561	12 970	15 634	18 655	22 140	-
50	-	-	7 132	9 540	12 006	14 636	17 535	20 807	-
55	-	-	-	8 228	10 825	13 494	16 343	19 475	-
60	-	-	-	-	9 348	12 130	15 001	18 066	-
65	-	-	-	-	-	10 465	13 431	16 501	-

Power input in W

30	3 286	3 331	3 359	3 367	3 351	3 309	3 236	3 130	-
35	3 612	3 667	3 707	3 729	3 730	3 706	3 653	3 569	-
40	3 984	4 046	4 095	4 127	4 140	4 130	4 094	4 028	-
45	-	4 477	4 530	4 569	4 590	4 590	4 566	4 514	-
50	-	-	5 022	5 063	5 088	5 095	5 079	5 037	-
55	-	-	-	5 617	5 642	5 651	5 639	5 604	-
60	-	-	-	-	6 261	6 268	6 256	6 223	-
65	-	-	-	-	-	6 954	6 938	6 903	-

Current consumption in A

30	6.23	6.24	6.25	6.25	6.25	6.23	6.20	6.14	-
35	6.68	6.70	6.72	6.73	6.74	6.73	6.69	6.63	-
40	7.18	7.21	7.24	7.26	7.27	7.27	7.23	7.17	-
45	-	7.79	7.83	7.86	7.88	7.88	7.84	7.78	-
50	-	-	8.52	8.56	8.58	8.58	8.55	8.49	-
55	-	-	-	9.38	9.41	9.41	9.38	9.31	-
60	-	-	-	-	10.38	10.38	10.35	10.27	-
65	-	-	-	-	-	11.52	11.49	11.41	-

Mass flow in kg/h

30	129	160	195	234	281	336	403	483	-
35	122	157	193	233	278	331	393	467	-
40	108	148	188	230	276	328	387	456	-
45	-	133	179	225	273	325	383	450	-
50	-	-	162	214	266	321	380	445	-
55	-	-	-	196	254	313	375	441	-
60	-	-	-	-	236	300	366	435	-
65	-	-	-	-	-	280	352	425	-

Coefficient of performance (C.O.P.)

30	2.05	2.54	3.10	3.76	4.58	5.60	6.91	8.60	-
35	1.68	2.15	2.66	3.23	3.90	4.72	5.75	7.04	-
40	1.28	1.76	2.24	2.75	3.33	4.01	4.83	5.85	-
45	-	1.36	1.83	2.31	2.83	3.41	4.09	4.90	-
50	-	-	1.42	1.88	2.36	2.87	3.45	4.13	-
55	-	-	-	1.46	1.92	2.39	2.90	3.48	-
60	-	-	-	-	1.49	1.94	2.40	2.90	-
65	-	-	-	-	-	1.50	1.94	2.39	-

Nominal performance at to = 7.2 °C, tc = 54.4 °C

Cooling capacity	17 834	W
Power input	5 556	W
Current consumption	9.24	A
Mass flow	404	kg/h
C.O.P.	3.21	

Pressure switch settings

Maximum HP switch setting	45	bar(g)
Minimum LP switch setting	1.5	bar(g)
LP pump down setting	2.3	bar(g)

Sound power data

Sound power level	71	dB(A)
With acoustic hood	66	dB(A)

to: Evaporating temperature at dew point

tc: Condensing temperature at dew point

Rating conditions : Superheat = 11.1 K , Subcooling = 8.3 K

Tolerance according EN12900

Danfoss can accept no responsibility for possible errors in catalogues, brochures and other printed material. Danfoss reserves the right to alter its products without notice. This also applies to products already on order provided that such alternations can be made without subsequential changes being necessary in specifications already agreed. All trademarks in this material are property of the respective companies. Danfoss and the Danfoss logotype are trademarks of Danfoss A/S. All rights reserved.

Performance data at 60 Hz, EN 12900 rating conditions
R410A

Cond. temp. in °C (tc)	Evaporating temperature in °C (to)							
	-25	-20	-15	-10	-5	0	5	10

Cooling capacity in W

30	7 392	9 311	11 463	13 965	16 931	20 479	24 727	29 790	-
35	6 612	8 637	10 797	13 206	15 979	19 233	23 083	27 646	-
40	5 537	7 744	9 987	12 381	15 040	18 078	21 612	25 755	-
45	-	6 551	8 950	11 404	14 024	16 925	20 219	24 022	-
50	-	-	7 608	10 191	12 845	15 681	18 812	22 350	-
55	-	-	-	8 662	11 414	14 253	17 290	20 634	-
60	-	-	-	-	9 647	12 545	15 545	18 756	-
65	-	-	-	-	-	10 444	13 441	16 555	-

Power input in W

30	3 923	3 976	4 009	4 019	4 000	3 949	3 862	3 735	-
35	4 312	4 378	4 426	4 453	4 453	4 424	4 362	4 261	-
40	4 760	4 833	4 891	4 930	4 945	4 933	4 890	4 811	-
45	-	5 350	5 413	5 460	5 485	5 485	5 456	5 394	-
50	-	-	6 003	6 052	6 083	6 090	6 071	6 021	-
55	-	-	-	6 718	6 748	6 759	6 745	6 702	-
60	-	-	-	-	7 492	7 500	7 486	7 446	-
65	-	-	-	-	-	8 324	8 305	8 263	-

Current consumption in A

30	6.53	6.58	6.62	6.68	6.74	6.81	6.91	7.04	-
35	6.87	6.93	6.99	7.04	7.10	7.16	7.24	7.34	-
40	7.24	7.33	7.40	7.46	7.52	7.58	7.65	7.73	-
45	-	7.76	7.86	7.94	8.01	8.07	8.14	8.21	-
50	-	-	8.38	8.49	8.58	8.65	8.72	8.79	-
55	-	-	-	9.10	9.22	9.32	9.40	9.47	-
60	-	-	-	-	9.95	10.08	10.18	10.27	-
65	-	-	-	-	-	10.94	11.07	11.18	-

Mass flow in kg/h

30	154	191	232	280	335	402	482	578	-
35	146	187	231	278	332	396	470	558	-
40	129	177	225	275	330	392	463	546	-
45	-	159	214	269	326	389	459	539	-
50	-	-	194	256	319	384	455	534	-
55	-	-	-	235	305	375	449	529	-
60	-	-	-	-	282	360	439	522	-
65	-	-	-	-	-	336	422	510	-

Coefficient of performance (C.O.P.)

30	1.88	2.34	2.86	3.47	4.23	5.19	6.40	7.98	-
35	1.53	1.97	2.44	2.97	3.59	4.35	5.29	6.49	-
40	1.16	1.60	2.04	2.51	3.04	3.66	4.42	5.35	-
45	-	1.22	1.65	2.09	2.56	3.09	3.71	4.45	-
50	-	-	1.27	1.68	2.11	2.57	3.10	3.71	-
55	-	-	-	1.29	1.69	2.11	2.56	3.08	-
60	-	-	-	-	1.29	1.67	2.08	2.52	-
65	-	-	-	-	-	1.25	1.62	2.00	-

Nominal performance at to = 5 °C, tc = 50 °C

Cooling capacity	18 812	W
Power input	6 071	W
Current consumption	8.72	A
Mass flow	455	kg/h
C.O.P.	3.10	

Pressure switch settings

Maximum HP switch setting	45	bar(g)
Minimum LP switch setting	1.5	bar(g)
LP pump down setting	2.3	bar(g)

Sound power data

Sound power level	74	dB(A)
With acoustic hood	69	dB(A)

to: Evaporating temperature at dew point

tc: Condensing temperature at dew point

Rating conditions : Superheat = 10 K , Subcooling = 0 K

Tolerance according EN12900

Danfoss can accept no responsibility for possible errors in catalogues, brochures and other printed material. Danfoss reserves the right to alter its products without notice. This also applies to products already on order provided that such alternations can be made without subsequential changes being necessary in specifications already agreed. All trademarks in this material are property of the respective companies. Danfoss and the Danfoss logotype are trademarks of Danfoss A/S. All rights reserved.

Performance data at 60 Hz, ARI rating conditions
R410A

Cond. temp. in °C (tc)	Evaporating temperature in °C (to)							
	-25	-20	-15	-10	-5	0	5	10

Cooling capacity in W

30	7 983	10 045	12 354	15 035	18 213	22 011	26 554	31 967	-
35	7 187	9 377	11 709	14 305	17 292	20 794	24 934	29 837	-
40	6 066	8 471	10 911	13 511	16 393	19 684	23 507	27 988	-
45	-	7 234	9 869	12 557	15 422	18 589	22 182	26 325	-
50	-	-	8 487	11 351	14 285	17 414	20 863	24 757	-
55	-	-	-	9 798	12 887	16 066	19 458	23 187	-
60	-	-	-	-	11 136	14 450	17 871	21 524	-
65	-	-	-	-	-	12 474	16 010	19 671	-

Power input in W

30	3 923	3 976	4 009	4 019	4 000	3 949	3 862	3 735	-
35	4 312	4 378	4 426	4 453	4 453	4 424	4 362	4 261	-
40	4 760	4 833	4 891	4 930	4 945	4 933	4 890	4 811	-
45	-	5 350	5 413	5 460	5 485	5 485	5 456	5 394	-
50	-	-	6 003	6 052	6 083	6 090	6 071	6 021	-
55	-	-	-	6 718	6 748	6 759	6 745	6 702	-
60	-	-	-	-	7 492	7 500	7 486	7 446	-
65	-	-	-	-	-	8 324	8 305	8 263	-

Current consumption in A

30	6.53	6.58	6.62	6.68	6.74	6.81	6.91	7.04	-
35	6.87	6.93	6.99	7.04	7.10	7.16	7.24	7.34	-
40	7.24	7.33	7.40	7.46	7.52	7.58	7.65	7.73	-
45	-	7.76	7.86	7.94	8.01	8.07	8.14	8.21	-
50	-	-	8.38	8.49	8.58	8.65	8.72	8.79	-
55	-	-	-	9.10	9.22	9.32	9.40	9.47	-
60	-	-	-	-	9.95	10.08	10.18	10.27	-
65	-	-	-	-	-	10.94	11.07	11.18	-

Mass flow in kg/h

30	154	190	231	278	333	399	479	574	-
35	145	186	229	276	330	393	467	554	-
40	128	176	224	274	328	389	460	542	-
45	-	158	213	267	324	386	456	535	-
50	-	-	193	255	317	382	452	530	-
55	-	-	-	234	303	373	446	525	-
60	-	-	-	-	281	358	436	518	-
65	-	-	-	-	-	334	419	507	-

Coefficient of performance (C.O.P.)

30	2.04	2.53	3.08	3.74	4.55	5.57	6.88	8.56	-
35	1.67	2.14	2.65	3.21	3.88	4.70	5.72	7.00	-
40	1.27	1.75	2.23	2.74	3.32	3.99	4.81	5.82	-
45	-	1.35	1.82	2.30	2.81	3.39	4.07	4.88	-
50	-	-	1.41	1.88	2.35	2.86	3.44	4.11	-
55	-	-	-	1.46	1.91	2.38	2.88	3.46	-
60	-	-	-	-	1.49	1.93	2.39	2.89	-
65	-	-	-	-	-	1.50	1.93	2.38	-

Nominal performance at to = 7.2 °C, tc = 54.4 °C

Cooling capacity	21 231	W
Power input	6 645	W
Current consumption	9.34	A
Mass flow	481	kg/h
C.O.P.	3.19	

Pressure switch settings

Maximum HP switch setting	45	bar(g)
Minimum LP switch setting	1.5	bar(g)
LP pump down setting	2.3	bar(g)

Sound power data

Sound power level	74	dB(A)
With acoustic hood	69	dB(A)

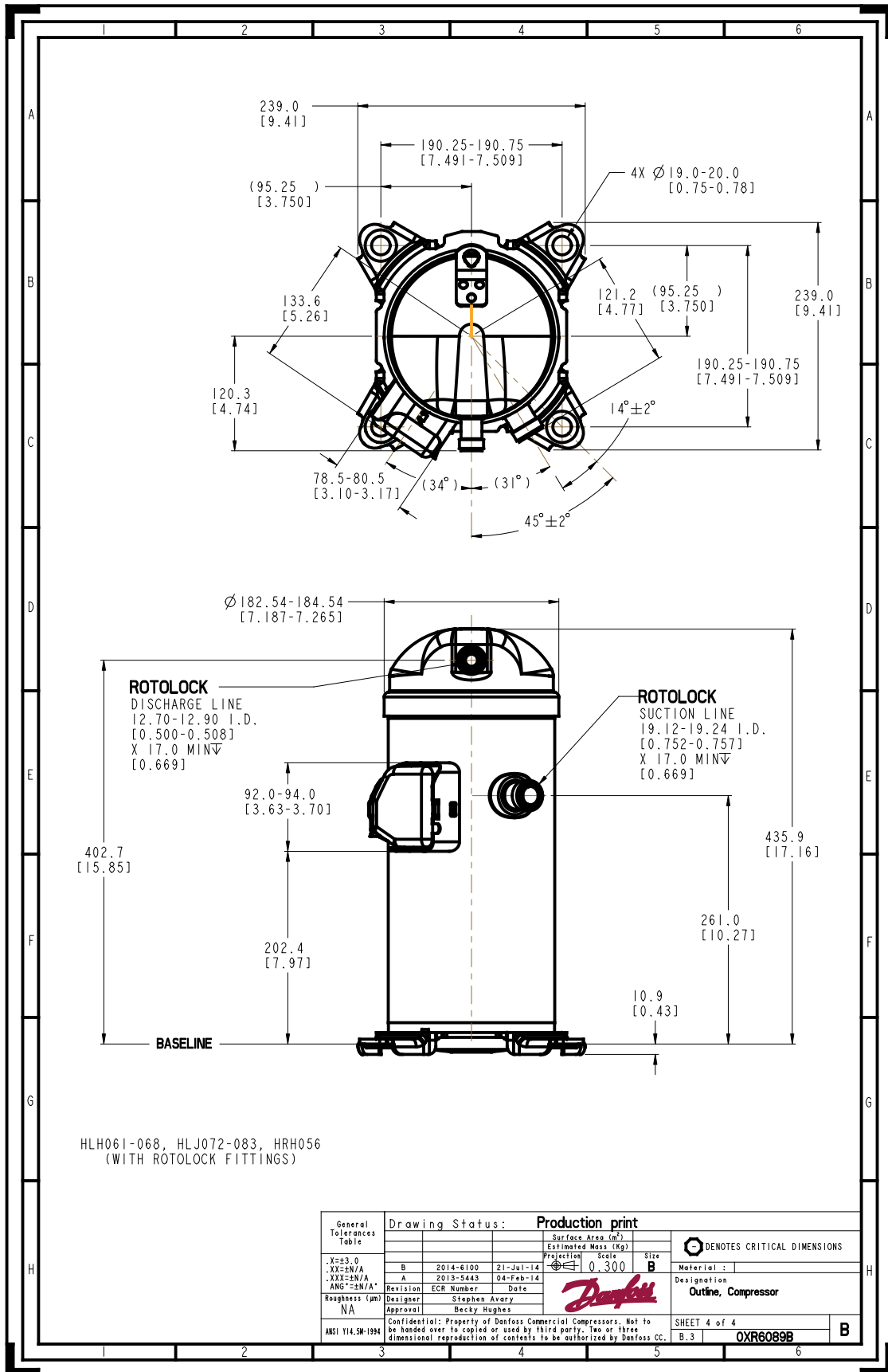
to: Evaporating temperature at dew point

tc: Condensing temperature at dew point

Rating conditions : Superheat = 11.1 K , Subcooling = 8.3 K

Tolerance according EN12900

Danfoss can accept no responsibility for possible errors in catalogues, brochures and other printed material. Danfoss reserves the right to alter its products without notice. This also applies to products already on order provided that such alternations can be made without subsequential changes being necessary in specifications already agreed. All trademarks in this material are property of the respective companies. Danfoss and the Danfoss logotype are trademarks of Danfoss A/S. All rights reserved.



General Tolerances Table X=±3.0 .XX=±N/A .XXX=±N/A ANG°=±N/A Roughness (µm) NA	Drawing Status: Production print			Surface Area (m²) Estimated Mass (kg)	Projection Scale 0.300	Size B	DENOTES CRITICAL DIMENSIONS
	Revision Designer Approval	ECR Number Stephen Avery Becky Hughes	Date 04-Feb-14			Material:	Designation Outline, Compressor
	Confidential: Property of Danfoss Commercial Compressors. Not to be handed over to copied or used by third party. Two or three dimensional reproduction of contents to be authorized by Danfoss CC.					SHEET 4 of 4	B.3
	ANS1 Y14.5M-1994						

Danfoss can accept no responsibility for possible errors in catalogues, brochures and other printed material. Danfoss reserves the right to alter its products without notice. This also applies to products already on order provided that such alternations can be made without consequential changes being necessary in specifications already agreed. All trademarks in this material are property of the respective companies. Danfoss, the Danfoss logotype and Maneurop are trademarks of Danfoss A/S. All rights reserved.