

Datasheets

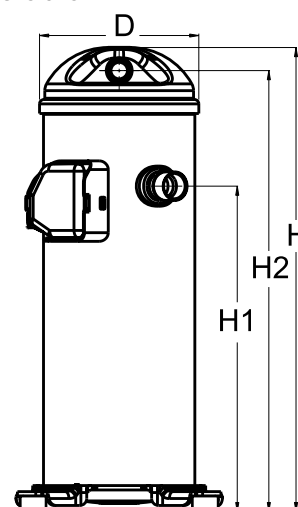
Danfoss scroll compressors **H series**



General Characteristics

Model number (on compressor nameplate)		HLJ075T4LC6
Code number for Singlepack*		120U2267
Code number for Industrial pack**		120U2264
Drawing number		0XR6089B-1
Suction and discharge connections		Brazed
Suction connection		7/8 " ODF
Discharge connection		1/2 " ODF
Oil sight glass		None
Oil equalisation connection		None
Oil drain connection		None
LP gauge port		None
IPR valve		Yes
Swept volume		70.79 cm ³ /rev
Displacement @ Nominal speed		12.3 m ³ /h @ 2900 rpm - 14.9 m ³ /h @ 3500 rpm
Net weight		37.2 kg
Oil charge		1.57 litre, PVE --
Maximum system test pressure Low Side / High side		- bar(g) / - bar(g)
Maximum differential test pressure		- bar
Maximum number of starts per hour		-
Refrigerant charge limit		5.44 kg
Approved refrigerants		R410A

Dimensions



D=183.5 mm

H=455 mm

H1=280 mm

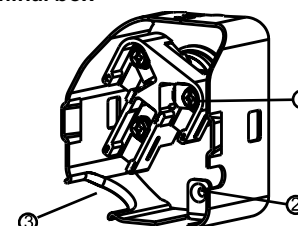
H2=422 mm

H3=- mm

Electrical Characteristics

Nominal voltage	380-415V/3/50Hz - 460V/3/60Hz
Voltage range	342-457 V @ 50Hz - 414-506 V @ 60Hz
Winding resistance between phases 1-2 +/- 7% at 25°C	1.62 Ω
Winding resistance between phases 1-3 +/- 7% at 25°C	1.60 Ω
Winding resistance between phases 2-3 +/- 7% at 25°C	1.63 Ω
Rated Load Amps (RLA)	11.5 A
Maximum Continuous Current (MCC)	18.0 A
Locked Rotor Amps (LRA)	100.0 A
Motor protection	Internal overload protector

Terminal box



IP22

1: Screw connectors 10-32 UNF x 9.5

2: Earth connection

3: Power cable passage

Recommended Installation torques

Oil sight glass	52.5 Nm
Power connections / Earth connection	3 Nm / 2 Nm

Parts shipped with compressor

Mounting kit with grommets and sleeves
Initial oil charge
Installation instructions

Approvals : CE certified, UL certified (file SA11565), -

*Singlepack: Compressor in cardboard box

**Industrial pack: 12 or 16 Unboxed compressors on pallet

Rotolock accessories, suction side

Code no.

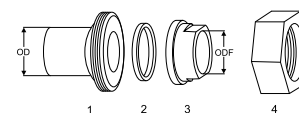
Rotolock valve, V05 (1-1/4" Rotolock, 7/8" ODF)	8168030
Gasket, 1-1/4"	8156131

Rotolock accessories, discharge side

Code no.

Solder sleeve, P06 (1" Rotolock, 1/2" ODF)	8153007
Angle adapter, C06 (1" Rotolock, 1/2" ODF)	8168007
Rotolock valve, V06 (1" Rotolock, 1/2" ODF)	8168031
Gasket, 1"	8156130

Solder sleeve adapter set



- 1: Rotolock adapter (Suc & Dis)
- 2: Gasket (Suc & Dis)
- 3: Solder sleeve (Suc & Dis)
- 4: Rotolock nut (Suc & Dis)

Rotolock accessories, sets

Code no.

Solder sleeve adapter set (1-1/4" Rotolock, 7/8" ODF), (1" Rotolock, 1/2" ODF)	120Z0127
Gasket set, 1", 1-1/4", 1-3/4", OSG gaskets black & white	8156009

Oil / lubricants

Code no.

PVE lubricant, 320HV (FVC68D), 1 litre can	120Z5034
--	----------

Crankcase heaters

Code no.

Belt type crankcase heater, 50 W, 230 V, CE mark, UL	120Z0057
Belt type crankcase heater, 50 W, 400 V, CE mark, UL	120Z0058

Miscellaneous accessories

Code no.

Acoustic hood	120Z5044
Discharge thermostat kit	7750009
IP54 upgrade kit	118U0057

Spare parts

Code no.

Mounting kit for 1 scroll compressor including 4 grommets, 4 sleeves, 4 bolts, 4 washers	120Z5005
Mounting kit, including 1 bolt, 1 sleeve, 1 washer	120Z5031
Terminal box cover	120Z5018

Performance data at 50 Hz, EN 12900 rating conditions
R410A

Cond. temp. in °C (tc)	Evaporating temperature in °C (to)							
	-25	-20	-15	-10	-5	0	5	10

Cooling capacity in W

30	6 609	8 329	10 255	12 492	15 145	18 320	22 124	26 662	-
35	5 887	7 701	9 630	11 778	14 250	17 150	20 585	24 660	-
40	4 897	6 871	8 870	10 998	13 359	16 056	19 195	22 879	-
45	-	5 773	7 907	10 082	12 400	14 963	17 875	21 239	-
50	-	-	6 678	8 962	11 301	13 796	16 548	19 660	-
55	-	-	-	7 573	9 991	12 478	15 133	18 057	-
60	-	-	-	-	8 401	10 929	13 540	16 331	-
65	-	-	-	-	-	9 058	11 655	14 346	-

Power input in W

30	3 518	3 568	3 598	3 606	3 588	3 542	3 466	3 355	-
35	3 845	3 907	3 952	3 976	3 976	3 950	3 894	3 807	-
40	4 213	4 283	4 338	4 373	4 387	4 376	4 338	4 269	-
45	-	4 705	4 765	4 808	4 831	4 831	4 805	4 751	-
50	-	-	5 242	5 288	5 316	5 323	5 306	5 262	-
55	-	-	-	5 823	5 852	5 861	5 848	5 810	-
60	-	-	-	-	6 446	6 453	6 440	6 404	-
65	-	-	-	-	-	7 110	7 092	7 053	-

Current consumption in A

30	7.91	7.93	8.02	8.10	8.10	7.96	7.60	6.95	-
35	8.31	8.39	8.55	8.71	8.81	8.77	8.53	8.01	-
40	8.88	8.97	9.16	9.37	9.52	9.55	9.38	8.95	-
45	-	9.75	9.93	10.14	10.31	10.36	10.23	9.85	-
50	-	-	10.94	11.11	11.25	11.29	11.16	10.79	-
55	-	-	-	12.35	12.43	12.42	12.24	11.84	-
60	-	-	-	-	13.92	13.81	13.56	13.09	-
65	-	-	-	-	-	15.55	15.18	14.60	-

Mass flow in kg/h

30	138	171	208	250	300	360	431	517	-
35	130	167	206	248	296	353	419	498	-
40	114	157	200	245	293	348	411	485	-
45	-	140	189	238	289	344	406	476	-
50	-	-	171	225	280	338	400	469	-
55	-	-	-	206	267	328	393	463	-
60	-	-	-	-	246	314	382	454	-
65	-	-	-	-	-	291	366	442	-

Coefficient of performance (C.O.P.)

30	1.88	2.33	2.85	3.46	4.22	5.17	6.38	7.95	-
35	1.53	1.97	2.44	2.96	3.58	4.34	5.29	6.48	-
40	1.16	1.60	2.04	2.51	3.05	3.67	4.42	5.36	-
45	-	1.23	1.66	2.10	2.57	3.10	3.72	4.47	-
50	-	-	1.27	1.69	2.13	2.59	3.12	3.74	-
55	-	-	-	1.30	1.71	2.13	2.59	3.11	-
60	-	-	-	-	1.30	1.69	2.10	2.55	-
65	-	-	-	-	-	1.27	1.64	2.03	-

Nominal performance at to = 5 °C, tc = 50 °C

Cooling capacity	16 548	W
Power input	5 306	W
Current consumption	11.16	A
Mass flow	400	kg/h
C.O.P.	3.12	

Pressure switch settings

Maximum HP switch setting	45	bar(g)
Minimum LP switch setting	1.5	bar(g)
LP pump down setting	2.3	bar(g)

Sound power data

Sound power level	71	dB(A)
With acoustic hood	66	dB(A)

to: Evaporating temperature at dew point

tc: Condensing temperature at dew point

Rating conditions : Superheat = 10 K , Subcooling = 0 K

Tolerance according EN12900

Danfoss can accept no responsibility for possible errors in catalogues, brochures and other printed material. Danfoss reserves the right to alter its products without notice. This also applies to products already on order provided that such alternations can be made without subsequential changes being necessary in specifications already agreed. All trademarks in this material are property of the respective companies. Danfoss and the Danfoss logotype are trademarks of Danfoss A/S. All rights reserved.

Performance data at 50 Hz, ARI rating conditions

R410A

Cond. temp. in °C (tc)	Evaporating temperature in °C (to)							
	-25	-20	-15	-10	-5	0	5	10

Cooling capacity in W

30	7 137	8 985	11 052	13 450	16 292	19 690	23 759	28 610	-
35	6 399	8 361	10 443	12 759	15 421	18 542	22 236	26 615	-
40	5 365	7 516	9 691	12 001	14 561	17 482	20 879	24 862	-
45	-	6 375	8 719	11 102	13 636	16 434	19 610	23 276	-
50	-	-	7 451	9 983	12 568	15 321	18 353	21 778	-
55	-	-	-	8 567	11 281	14 065	17 031	20 292	-
60	-	-	-	-	9 698	12 590	15 566	18 740	-
65	-	-	-	-	-	10 818	13 882	17 047	-

Power input in W

30	3 518	3 568	3 598	3 606	3 588	3 542	3 466	3 355	-
35	3 845	3 907	3 952	3 976	3 976	3 950	3 894	3 807	-
40	4 213	4 283	4 338	4 373	4 387	4 376	4 338	4 269	-
45	-	4 705	4 765	4 808	4 831	4 831	4 805	4 751	-
50	-	-	5 242	5 288	5 316	5 323	5 306	5 262	-
55	-	-	-	5 823	5 852	5 861	5 848	5 810	-
60	-	-	-	-	6 446	6 453	6 440	6 404	-
65	-	-	-	-	-	7 110	7 092	7 053	-

Current consumption in A

30	7.91	7.93	8.02	8.10	8.10	7.96	7.60	6.95	-
35	8.31	8.39	8.55	8.71	8.81	8.77	8.53	8.01	-
40	8.88	8.97	9.16	9.37	9.52	9.55	9.38	8.95	-
45	-	9.75	9.93	10.14	10.31	10.36	10.23	9.85	-
50	-	-	10.94	11.11	11.25	11.29	11.16	10.79	-
55	-	-	-	12.35	12.43	12.42	12.24	11.84	-
60	-	-	-	-	13.92	13.81	13.56	13.09	-
65	-	-	-	-	-	15.55	15.18	14.60	-

Mass flow in kg/h

30	137	170	207	249	298	357	428	513	-
35	129	166	204	247	295	350	416	495	-
40	114	156	199	243	291	346	409	482	-
45	-	140	188	236	287	342	403	473	-
50	-	-	170	224	279	336	397	466	-
55	-	-	-	205	265	326	390	459	-
60	-	-	-	-	244	311	380	451	-
65	-	-	-	-	-	289	364	439	-

Coefficient of performance (C.O.P.)

30	2.03	2.52	3.07	3.73	4.54	5.56	6.86	8.53	-
35	1.66	2.14	2.64	3.21	3.88	4.69	5.71	6.99	-
40	1.27	1.75	2.23	2.74	3.32	3.99	4.81	5.82	-
45	-	1.35	1.83	2.31	2.82	3.40	4.08	4.90	-
50	-	-	1.42	1.89	2.36	2.88	3.46	4.14	-
55	-	-	-	1.47	1.93	2.40	2.91	3.49	-
60	-	-	-	-	1.50	1.95	2.42	2.93	-
65	-	-	-	-	-	1.52	1.96	2.42	-

Nominal performance at to = 7.2 °C, tc = 54.4 °C

Cooling capacity	18 593	W
Power input	5 767	W
Current consumption	11.96	A
Mass flow	421	kg/h
C.O.P.	3.22	

Pressure switch settings

Maximum HP switch setting	45	bar(g)
Minimum LP switch setting	1.5	bar(g)
LP pump down setting	2.3	bar(g)

Sound power data

Sound power level	71	dB(A)
With acoustic hood	66	dB(A)

to: Evaporating temperature at dew point

tc: Condensing temperature at dew point

Rating conditions : Superheat = 11.1 K , Subcooling = 8.3 K

Tolerance according EN12900

Danfoss can accept no responsibility for possible errors in catalogues, brochures and other printed material. Danfoss reserves the right to alter its products without notice. This also applies to products already on order provided that such alternations can be made without subsequential changes being necessary in specifications already agreed. All trademarks in this material are property of the respective companies. Danfoss and the Danfoss logotype are trademarks of Danfoss A/S. All rights reserved.

Performance data at 60 Hz, EN 12900 rating conditions

R410A

Cond. temp. in °C (tc)	Evaporating temperature in °C (to)							
	-25	-20	-15	-10	-5	0	5	10

Cooling capacity in W

30	7 935	10 001	12 313	14 999	18 184	21 997	26 563	32 012	-
35	7 068	9 246	11 561	14 140	17 108	20 590	24 714	29 607	-
40	5 878	8 247	10 648	13 203	16 036	19 275	23 042	27 465	-
45	-	6 929	9 491	12 102	14 884	17 960	21 455	25 493	-
50	-	-	8 015	10 756	13 563	16 557	19 860	23 595	-
55	-	-	-	9 088	11 989	14 974	18 160	21 668	-
60	-	-	-	-	10 079	13 113	16 246	19 594	-
65	-	-	-	-	-	10 866	13 982	17 211	-

Power input in W

30	4 235	4 296	4 332	4 341	4 320	4 265	4 173	4 041	-
35	4 619	4 695	4 750	4 778	4 778	4 747	4 680	4 576	-
40	5 047	5 134	5 201	5 244	5 261	5 247	5 201	5 119	-
45	-	5 623	5 697	5 749	5 777	5 777	5 746	5 682	-
50	-	-	6 248	6 305	6 339	6 347	6 326	6 273	-
55	-	-	-	6 922	6 956	6 967	6 952	6 906	-
60	-	-	-	-	7 640	7 649	7 633	7 589	-
65	-	-	-	-	-	8 402	8 381	8 333	-

Current consumption in A

30	7.63	7.68	7.74	7.79	7.87	7.96	8.07	8.22	-
35	8.02	8.10	8.16	8.22	8.29	8.36	8.46	8.57	-
40	8.45	8.56	8.64	8.71	8.78	8.85	8.93	9.02	-
45	-	9.06	9.18	9.27	9.35	9.43	9.50	9.58	-
50	-	-	9.78	9.91	10.01	10.10	10.18	10.26	-
55	-	-	-	10.63	10.77	10.88	10.97	11.06	-
60	-	-	-	-	11.62	11.77	11.89	11.99	-
65	-	-	-	-	-	12.78	12.93	13.06	-

Mass flow in kg/h

30	166	206	250	300	360	432	518	621	-
35	156	200	247	298	356	424	503	598	-
40	137	189	240	294	352	418	494	582	-
45	-	169	227	285	346	413	487	572	-
50	-	-	205	270	336	406	480	563	-
55	-	-	-	247	320	394	472	555	-
60	-	-	-	-	295	376	459	545	-
65	-	-	-	-	-	350	439	531	-

Coefficient of performance (C.O.P.)

30	1.87	2.33	2.84	3.45	4.21	5.16	6.37	7.92	-
35	1.53	1.97	2.43	2.96	3.58	4.34	5.28	6.47	-
40	1.16	1.61	2.05	2.52	3.05	3.67	4.43	5.36	-
45	-	1.23	1.67	2.10	2.58	3.11	3.73	4.49	-
50	-	-	1.28	1.71	2.14	2.61	3.14	3.76	-
55	-	-	-	1.31	1.72	2.15	2.61	3.14	-
60	-	-	-	-	1.32	1.71	2.13	2.58	-
65	-	-	-	-	-	1.29	1.67	2.07	-

Nominal performance at to = 5 °C, tc = 50 °C

Cooling capacity	19 860	W
Power input	6 326	W
Current consumption	10.18	A
Mass flow	480	kg/h
C.O.P.	3.14	

Pressure switch settings

Maximum HP switch setting	45	bar(g)
Minimum LP switch setting	1.5	bar(g)
LP pump down setting	2.3	bar(g)

Sound power data

Sound power level	74	dB(A)
With acoustic hood	69	dB(A)

to: Evaporating temperature at dew point

tc: Condensing temperature at dew point

Rating conditions : Superheat = 10 K , Subcooling = 0 K

Tolerance according EN12900

Danfoss can accept no responsibility for possible errors in catalogues, brochures and other printed material. Danfoss reserves the right to alter its products without notice. This also applies to products already on order provided that such alternations can be made without subsequential changes being necessary in specifications already agreed. All trademarks in this material are property of the respective companies. Danfoss and the Danfoss logotype are trademarks of Danfoss A/S. All rights reserved.

Performance data at 60 Hz, ARI rating conditions
R410A

Cond. temp. in °C (tc)	Evaporating temperature in °C (to)							
	-25	-20	-15	-10	-5	0	5	10

Cooling capacity in W

30	8 569	10 788	13 270	16 149	19 561	23 642	28 527	34 352	-
35	7 682	10 038	12 537	15 317	18 513	22 261	26 696	31 953	-
40	6 439	9 022	11 633	14 407	17 480	20 987	25 063	29 846	-
45	-	7 651	10 465	13 325	16 367	19 726	23 538	27 938	-
50	-	-	8 941	11 980	15 084	18 387	22 026	26 136	-
55	-	-	-	10 280	13 537	16 878	20 436	24 349	-
60	-	-	-	-	11 636	15 106	18 677	22 485	-
65	-	-	-	-	-	12 979	16 655	20 450	-

Power input in W

30	4 235	4 296	4 332	4 341	4 320	4 265	4 173	4 041	-
35	4 619	4 695	4 750	4 778	4 778	4 747	4 680	4 576	-
40	5 047	5 134	5 201	5 244	5 261	5 247	5 201	5 119	-
45	-	5 623	5 697	5 749	5 777	5 777	5 746	5 682	-
50	-	-	6 248	6 305	6 339	6 347	6 326	6 273	-
55	-	-	-	6 922	6 956	6 967	6 952	6 906	-
60	-	-	-	-	7 640	7 649	7 633	7 589	-
65	-	-	-	-	-	8 402	8 381	8 333	-

Current consumption in A

30	7.63	7.68	7.74	7.79	7.87	7.96	8.07	8.22	-
35	8.02	8.10	8.16	8.22	8.29	8.36	8.46	8.57	-
40	8.45	8.56	8.64	8.71	8.78	8.85	8.93	9.02	-
45	-	9.06	9.18	9.27	9.35	9.43	9.50	9.58	-
50	-	-	9.78	9.91	10.01	10.10	10.18	10.26	-
55	-	-	-	10.63	10.77	10.88	10.97	11.06	-
60	-	-	-	-	11.62	11.77	11.89	11.99	-
65	-	-	-	-	-	12.78	12.93	13.06	-

Mass flow in kg/h

30	165	204	248	298	358	429	514	616	-
35	155	199	245	296	354	421	500	594	-
40	136	188	239	292	350	415	491	578	-
45	-	168	225	283	344	410	484	568	-
50	-	-	204	269	334	403	477	559	-
55	-	-	-	246	318	392	468	551	-
60	-	-	-	-	293	374	456	541	-
65	-	-	-	-	-	347	436	527	-

Coefficient of performance (C.O.P.)

30	2.02	2.51	3.06	3.72	4.53	5.54	6.84	8.50	-
35	1.66	2.14	2.64	3.21	3.87	4.69	5.70	6.98	-
40	1.28	1.76	2.24	2.75	3.32	4.00	4.82	5.83	-
45	-	1.36	1.84	2.32	2.83	3.41	4.10	4.92	-
50	-	-	1.43	1.90	2.38	2.90	3.48	4.17	-
55	-	-	-	1.49	1.95	2.42	2.94	3.53	-
60	-	-	-	-	1.52	1.97	2.45	2.96	-
65	-	-	-	-	-	1.54	1.99	2.45	-

Nominal performance at to = 7.2 °C, tc = 54.4 °C

Cooling capacity	22 311	W
Power input	6 857	W
Current consumption	10.91	A
Mass flow	505	kg/h
C.O.P.	3.25	

Pressure switch settings

Maximum HP switch setting	45	bar(g)
Minimum LP switch setting	1.5	bar(g)
LP pump down setting	2.3	bar(g)

Sound power data

Sound power level	74	dB(A)
With acoustic hood	69	dB(A)

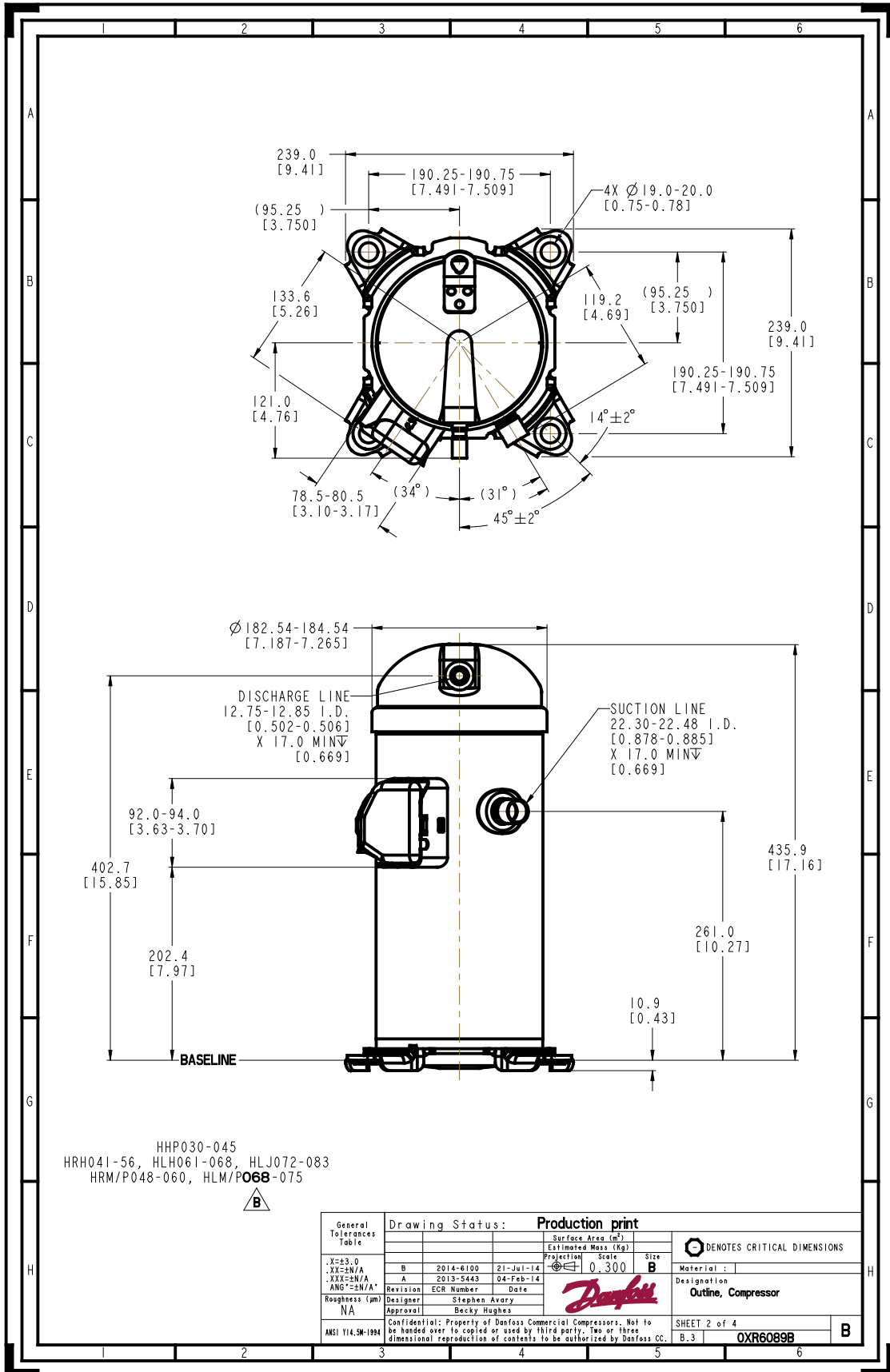
to: Evaporating temperature at dew point

tc: Condensing temperature at dew point

Rating conditions : Superheat = 11.1 K , Subcooling = 8.3 K

Tolerance according EN12900

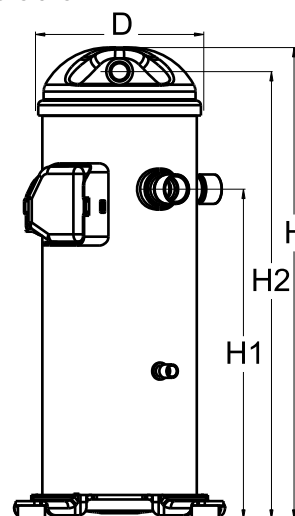
Danfoss can accept no responsibility for possible errors in catalogues, brochures and other printed material. Danfoss reserves the right to alter its products without notice. This also applies to products already on order provided that such alternations can be made without subsequential changes being necessary in specifications already agreed. All trademarks in this material are property of the respective companies. Danfoss and the Danfoss logotype are trademarks of Danfoss A/S. All rights reserved.



General Characteristics

Model number (on compressor nameplate)		HLJ075T4LC8
Code number for Singlepack*		120U2432
Code number for Industrial pack**		120U2429
Drawing number		0XR6049B-2
Suction and discharge connections		Brazed
Suction connection		7/8 " ODF
Discharge connection		1/2 " ODF
Oil sight glass		None
Oil equalisation connection		1/2"
Oil drain connection		None
LP gauge port		None
IPR valve		Yes
Swept volume		70.79 cm ³ /rev
Displacement @ Nominal speed		12.3 m ³ /h @ 2900 rpm - 14.9 m ³ /h @ 3500 rpm
Net weight		37.2 kg
Oil charge		1.57 litre, PVE --
Maximum system test pressure Low Side / High side		- bar(g) / - bar(g)
Maximum differential test pressure		- bar
Maximum number of starts per hour		-
Refrigerant charge limit		5.44 kg
Approved refrigerants		R410A

Dimensions

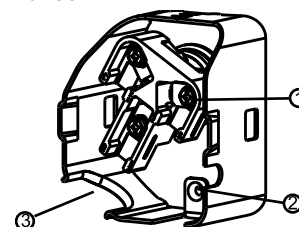


D=183.5 mm
H=455 mm
H1=280 mm
H2=422 mm
H3=- mm

Electrical Characteristics

Nominal voltage		380-415V/3/50Hz - 460V/3/60Hz
Voltage range		342-457 V @ 50Hz - 414-506 V @ 60Hz
Winding resistance between phases 1-2 +/- 7% at 25°C		1.62 Ω
Winding resistance between phases 1-3 +/- 7% at 25°C		1.60 Ω
Winding resistance between phases 2-3 +/- 7% at 25°C		1.63 Ω
Rated Load Amps (RLA)		11.5 A
Maximum Continuous Current (MCC)		18.0 A
Locked Rotor Amps (LRA)		100.0 A
Motor protection		Internal overload protector

Terminal box



IP22

- 1: Screw connectors 10-32 UNF x 9.5
- 2: Earth connection
- 3: Power cable passage

Recommended Installation torques

Oil sight glass		52.5 Nm
Power connections / Earth connection		3 Nm / 2 Nm

Parts shipped with compressor

Mounting kit with grommets and sleeves
Initial oil charge
Installation instructions

Approvals : CE certified, UL certified (file SA11565), -

*Singlepack: Compressor in cardboard box

**Industrial pack: 12 or 16 Unboxed compressors on pallet

Rotolock accessories, suction side

Code no.

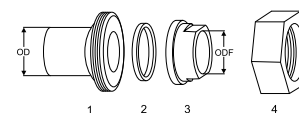
Rotolock valve, V05 (1-1/4" Rotolock, 7/8" ODF)	8168030
Gasket, 1-1/4"	8156131

Rotolock accessories, discharge side

Code no.

Solder sleeve, P06 (1" Rotolock, 1/2" ODF)	8153007
Angle adapter, C06 (1" Rotolock, 1/2" ODF)	8168007
Rotolock valve, V06 (1" Rotolock, 1/2" ODF)	8168031
Gasket, 1"	8156130

Solder sleeve adapter set



- 1: Rotolock adapter (Suc & Dis)
- 2: Gasket (Suc & Dis)
- 3: Solder sleeve (Suc & Dis)
- 4: Rotolock nut (Suc & Dis)

Rotolock accessories, sets

Code no.

Solder sleeve adapter set (1-1/4" Rotolock, 7/8" ODF), (1" Rotolock, 1/2" ODF)	120Z0127
Gasket set, 1", 1-1/4", 1-3/4", OSG gaskets black & white	8156009

Oil / lubricants

Code no.

PVE lubricant, 320HV (FVC68D), 1 litre can	120Z5034
--	----------

Crankcase heaters

Code no.

Belt type crankcase heater, 50 W, 230 V, CE mark, UL	120Z0057
Belt type crankcase heater, 50 W, 400 V, CE mark, UL	120Z0058

Miscellaneous accessories

Code no.

Acoustic hood	120Z5044
Discharge thermostat kit	7750009
IP54 upgrade kit	118U0057

Spare parts

Code no.

Mounting kit for 1 scroll compressor including 4 grommets, 4 sleeves, 4 bolts, 4 washers	120Z5005
Mounting kit, including 1 bolt, 1 sleeve, 1 washer	120Z5031
Terminal box cover	120Z5018

Performance data at 50 Hz, EN 12900 rating conditions

R410A

Cond. temp. in °C (tc)	Evaporating temperature in °C (to)							
	-25	-20	-15	-10	-5	0	5	10

Cooling capacity in W

30	6 609	8 329	10 255	12 492	15 145	18 320	22 124	26 662	-
35	5 887	7 701	9 630	11 778	14 250	17 150	20 585	24 660	-
40	4 897	6 871	8 870	10 998	13 359	16 056	19 195	22 879	-
45	-	5 773	7 907	10 082	12 400	14 963	17 875	21 239	-
50	-	-	6 678	8 962	11 301	13 796	16 548	19 660	-
55	-	-	-	7 573	9 991	12 478	15 133	18 057	-
60	-	-	-	-	8 401	10 929	13 540	16 331	-
65	-	-	-	-	-	9 058	11 655	14 346	-

Power input in W

30	3 518	3 568	3 598	3 606	3 588	3 542	3 466	3 355	-
35	3 845	3 907	3 952	3 976	3 976	3 950	3 894	3 807	-
40	4 213	4 283	4 338	4 373	4 387	4 376	4 338	4 269	-
45	-	4 705	4 765	4 808	4 831	4 831	4 805	4 751	-
50	-	-	5 242	5 288	5 316	5 323	5 306	5 262	-
55	-	-	-	5 823	5 852	5 861	5 848	5 810	-
60	-	-	-	-	6 446	6 453	6 440	6 404	-
65	-	-	-	-	-	7 110	7 092	7 053	-

Current consumption in A

30	7.91	7.93	8.02	8.10	8.10	7.96	7.60	6.95	-
35	8.31	8.39	8.55	8.71	8.81	8.77	8.53	8.01	-
40	8.88	8.97	9.16	9.37	9.52	9.55	9.38	8.95	-
45	-	9.75	9.93	10.14	10.31	10.36	10.23	9.85	-
50	-	-	10.94	11.11	11.25	11.29	11.16	10.79	-
55	-	-	-	12.35	12.43	12.42	12.24	11.84	-
60	-	-	-	-	13.92	13.81	13.56	13.09	-
65	-	-	-	-	-	15.55	15.18	14.60	-

Mass flow in kg/h

30	138	171	208	250	300	360	431	517	-
35	130	167	206	248	296	353	419	498	-
40	114	157	200	245	293	348	411	485	-
45	-	140	189	238	289	344	406	476	-
50	-	-	171	225	280	338	400	469	-
55	-	-	-	206	267	328	393	463	-
60	-	-	-	-	246	314	382	454	-
65	-	-	-	-	-	291	366	442	-

Coefficient of performance (C.O.P.)

30	1.88	2.33	2.85	3.46	4.22	5.17	6.38	7.95	-
35	1.53	1.97	2.44	2.96	3.58	4.34	5.29	6.48	-
40	1.16	1.60	2.04	2.51	3.05	3.67	4.42	5.36	-
45	-	1.23	1.66	2.10	2.57	3.10	3.72	4.47	-
50	-	-	1.27	1.69	2.13	2.59	3.12	3.74	-
55	-	-	-	1.30	1.71	2.13	2.59	3.11	-
60	-	-	-	-	1.30	1.69	2.10	2.55	-
65	-	-	-	-	-	1.27	1.64	2.03	-

Nominal performance at to = 5 °C, tc = 50 °C

Cooling capacity	16 548	W
Power input	5 306	W
Current consumption	11.16	A
Mass flow	400	kg/h
C.O.P.	3.12	

Pressure switch settings

Maximum HP switch setting	45	bar(g)
Minimum LP switch setting	1.5	bar(g)
LP pump down setting	2.3	bar(g)

Sound power data

Sound power level	71	dB(A)
With acoustic hood	66	dB(A)

to: Evaporating temperature at dew point

tc: Condensing temperature at dew point

Rating conditions : Superheat = 10 K , Subcooling = 0 K

Tolerance according EN12900

Danfoss can accept no responsibility for possible errors in catalogues, brochures and other printed material. Danfoss reserves the right to alter its products without notice. This also applies to products already on order provided that such alternations can be made without subsequential changes being necessary in specifications already agreed. All trademarks in this material are property of the respective companies. Danfoss and the Danfoss logotype are trademarks of Danfoss A/S. All rights reserved.

Performance data at 50 Hz, ARI rating conditions

R410A

Cond. temp. in °C (tc)	Evaporating temperature in °C (to)							
	-25	-20	-15	-10	-5	0	5	10

Cooling capacity in W

30	7 137	8 985	11 052	13 450	16 292	19 690	23 759	28 610	-
35	6 399	8 361	10 443	12 759	15 421	18 542	22 236	26 615	-
40	5 365	7 516	9 691	12 001	14 561	17 482	20 879	24 862	-
45	-	6 375	8 719	11 102	13 636	16 434	19 610	23 276	-
50	-	-	7 451	9 983	12 568	15 321	18 353	21 778	-
55	-	-	-	8 567	11 281	14 065	17 031	20 292	-
60	-	-	-	-	9 698	12 590	15 566	18 740	-
65	-	-	-	-	-	10 818	13 882	17 047	-

Power input in W

30	3 518	3 568	3 598	3 606	3 588	3 542	3 466	3 355	-
35	3 845	3 907	3 952	3 976	3 976	3 950	3 894	3 807	-
40	4 213	4 283	4 338	4 373	4 387	4 376	4 338	4 269	-
45	-	4 705	4 765	4 808	4 831	4 831	4 805	4 751	-
50	-	-	5 242	5 288	5 316	5 323	5 306	5 262	-
55	-	-	-	5 823	5 852	5 861	5 848	5 810	-
60	-	-	-	-	6 446	6 453	6 440	6 404	-
65	-	-	-	-	-	7 110	7 092	7 053	-

Current consumption in A

30	7.91	7.93	8.02	8.10	8.10	7.96	7.60	6.95	-
35	8.31	8.39	8.55	8.71	8.81	8.77	8.53	8.01	-
40	8.88	8.97	9.16	9.37	9.52	9.55	9.38	8.95	-
45	-	9.75	9.93	10.14	10.31	10.36	10.23	9.85	-
50	-	-	10.94	11.11	11.25	11.29	11.16	10.79	-
55	-	-	-	12.35	12.43	12.42	12.24	11.84	-
60	-	-	-	-	13.92	13.81	13.56	13.09	-
65	-	-	-	-	-	15.55	15.18	14.60	-

Mass flow in kg/h

30	137	170	207	249	298	357	428	513	-
35	129	166	204	247	295	350	416	495	-
40	114	156	199	243	291	346	409	482	-
45	-	140	188	236	287	342	403	473	-
50	-	-	170	224	279	336	397	466	-
55	-	-	-	205	265	326	390	459	-
60	-	-	-	-	244	311	380	451	-
65	-	-	-	-	-	289	364	439	-

Coefficient of performance (C.O.P.)

30	2.03	2.52	3.07	3.73	4.54	5.56	6.86	8.53	-
35	1.66	2.14	2.64	3.21	3.88	4.69	5.71	6.99	-
40	1.27	1.75	2.23	2.74	3.32	3.99	4.81	5.82	-
45	-	1.35	1.83	2.31	2.82	3.40	4.08	4.90	-
50	-	-	1.42	1.89	2.36	2.88	3.46	4.14	-
55	-	-	-	1.47	1.93	2.40	2.91	3.49	-
60	-	-	-	-	1.50	1.95	2.42	2.93	-
65	-	-	-	-	-	1.52	1.96	2.42	-

Nominal performance at to = 7.2 °C, tc = 54.4 °C

Cooling capacity	18 593	W
Power input	5 767	W
Current consumption	11.96	A
Mass flow	421	kg/h
C.O.P.	3.22	

Pressure switch settings

Maximum HP switch setting	45	bar(g)
Minimum LP switch setting	1.5	bar(g)
LP pump down setting	2.3	bar(g)

Sound power data

Sound power level	71	dB(A)
With acoustic hood	66	dB(A)

to: Evaporating temperature at dew point

tc: Condensing temperature at dew point

Rating conditions : Superheat = 11.1 K , Subcooling = 8.3 K

Tolerance according EN12900

Danfoss can accept no responsibility for possible errors in catalogues, brochures and other printed material. Danfoss reserves the right to alter its products without notice. This also applies to products already on order provided that such alternations can be made without subsequential changes being necessary in specifications already agreed. All trademarks in this material are property of the respective companies. Danfoss and the Danfoss logotype are trademarks of Danfoss A/S. All rights reserved.

Performance data at 60 Hz, EN 12900 rating conditions

R410A

Cond. temp. in °C (tc)	Evaporating temperature in °C (to)							
	-25	-20	-15	-10	-5	0	5	10

Cooling capacity in W

30	7 935	10 001	12 313	14 999	18 184	21 997	26 563	32 012	-
35	7 068	9 246	11 561	14 140	17 108	20 590	24 714	29 607	-
40	5 878	8 247	10 648	13 203	16 036	19 275	23 042	27 465	-
45	-	6 929	9 491	12 102	14 884	17 960	21 455	25 493	-
50	-	-	8 015	10 756	13 563	16 557	19 860	23 595	-
55	-	-	-	9 088	11 989	14 974	18 160	21 668	-
60	-	-	-	-	10 079	13 113	16 246	19 594	-
65	-	-	-	-	-	10 866	13 982	17 211	-

Power input in W

30	4 235	4 296	4 332	4 341	4 320	4 265	4 173	4 041	-
35	4 619	4 695	4 750	4 778	4 778	4 747	4 680	4 576	-
40	5 047	5 134	5 201	5 244	5 261	5 247	5 201	5 119	-
45	-	5 623	5 697	5 749	5 777	5 777	5 746	5 682	-
50	-	-	6 248	6 305	6 339	6 347	6 326	6 273	-
55	-	-	-	6 922	6 956	6 967	6 952	6 906	-
60	-	-	-	-	7 640	7 649	7 633	7 589	-
65	-	-	-	-	-	8 402	8 381	8 333	-

Current consumption in A

30	7.63	7.68	7.74	7.79	7.87	7.96	8.07	8.22	-
35	8.02	8.10	8.16	8.22	8.29	8.36	8.46	8.57	-
40	8.45	8.56	8.64	8.71	8.78	8.85	8.93	9.02	-
45	-	9.06	9.18	9.27	9.35	9.43	9.50	9.58	-
50	-	-	9.78	9.91	10.01	10.10	10.18	10.26	-
55	-	-	-	10.63	10.77	10.88	10.97	11.06	-
60	-	-	-	-	11.62	11.77	11.89	11.99	-
65	-	-	-	-	-	12.78	12.93	13.06	-

Mass flow in kg/h

30	166	206	250	300	360	432	518	621	-
35	156	200	247	298	356	424	503	598	-
40	137	189	240	294	352	418	494	582	-
45	-	169	227	285	346	413	487	572	-
50	-	-	205	270	336	406	480	563	-
55	-	-	-	247	320	394	472	555	-
60	-	-	-	-	295	376	459	545	-
65	-	-	-	-	-	350	439	531	-

Coefficient of performance (C.O.P.)

30	1.87	2.33	2.84	3.45	4.21	5.16	6.37	7.92	-
35	1.53	1.97	2.43	2.96	3.58	4.34	5.28	6.47	-
40	1.16	1.61	2.05	2.52	3.05	3.67	4.43	5.36	-
45	-	1.23	1.67	2.10	2.58	3.11	3.73	4.49	-
50	-	-	1.28	1.71	2.14	2.61	3.14	3.76	-
55	-	-	-	1.31	1.72	2.15	2.61	3.14	-
60	-	-	-	-	1.32	1.71	2.13	2.58	-
65	-	-	-	-	-	1.29	1.67	2.07	-

Nominal performance at to = 5 °C, tc = 50 °C

Cooling capacity	19 860	W
Power input	6 326	W
Current consumption	10.18	A
Mass flow	480	kg/h
C.O.P.	3.14	

Pressure switch settings

Maximum HP switch setting	45	bar(g)
Minimum LP switch setting	1.5	bar(g)
LP pump down setting	2.3	bar(g)

Sound power data

Sound power level	74	dB(A)
With acoustic hood	69	dB(A)

to: Evaporating temperature at dew point

tc: Condensing temperature at dew point

Rating conditions : Superheat = 10 K , Subcooling = 0 K

Tolerance according EN12900

Danfoss can accept no responsibility for possible errors in catalogues, brochures and other printed material. Danfoss reserves the right to alter its products without notice. This also applies to products already on order provided that such alternations can be made without subsequential changes being necessary in specifications already agreed. All trademarks in this material are property of the respective companies. Danfoss and the Danfoss logotype are trademarks of Danfoss A/S. All rights reserved.

Performance data at 60 Hz, ARI rating conditions
R410A

Cond. temp. in °C (tc)	Evaporating temperature in °C (to)							
	-25	-20	-15	-10	-5	0	5	10

Cooling capacity in W

30	8 569	10 788	13 270	16 149	19 561	23 642	28 527	34 352	-
35	7 682	10 038	12 537	15 317	18 513	22 261	26 696	31 953	-
40	6 439	9 022	11 633	14 407	17 480	20 987	25 063	29 846	-
45	-	7 651	10 465	13 325	16 367	19 726	23 538	27 938	-
50	-	-	8 941	11 980	15 084	18 387	22 026	26 136	-
55	-	-	-	10 280	13 537	16 878	20 436	24 349	-
60	-	-	-	-	11 636	15 106	18 677	22 485	-
65	-	-	-	-	-	12 979	16 655	20 450	-

Power input in W

30	4 235	4 296	4 332	4 341	4 320	4 265	4 173	4 041	-
35	4 619	4 695	4 750	4 778	4 778	4 747	4 680	4 576	-
40	5 047	5 134	5 201	5 244	5 261	5 247	5 201	5 119	-
45	-	5 623	5 697	5 749	5 777	5 777	5 746	5 682	-
50	-	-	6 248	6 305	6 339	6 347	6 326	6 273	-
55	-	-	-	6 922	6 956	6 967	6 952	6 906	-
60	-	-	-	-	7 640	7 649	7 633	7 589	-
65	-	-	-	-	-	8 402	8 381	8 333	-

Current consumption in A

30	7.63	7.68	7.74	7.79	7.87	7.96	8.07	8.22	-
35	8.02	8.10	8.16	8.22	8.29	8.36	8.46	8.57	-
40	8.45	8.56	8.64	8.71	8.78	8.85	8.93	9.02	-
45	-	9.06	9.18	9.27	9.35	9.43	9.50	9.58	-
50	-	-	9.78	9.91	10.01	10.10	10.18	10.26	-
55	-	-	-	10.63	10.77	10.88	10.97	11.06	-
60	-	-	-	-	11.62	11.77	11.89	11.99	-
65	-	-	-	-	-	12.78	12.93	13.06	-

Mass flow in kg/h

30	165	204	248	298	358	429	514	616	-
35	155	199	245	296	354	421	500	594	-
40	136	188	239	292	350	415	491	578	-
45	-	168	225	283	344	410	484	568	-
50	-	-	204	269	334	403	477	559	-
55	-	-	-	246	318	392	468	551	-
60	-	-	-	-	293	374	456	541	-
65	-	-	-	-	-	347	436	527	-

Coefficient of performance (C.O.P.)

30	2.02	2.51	3.06	3.72	4.53	5.54	6.84	8.50	-
35	1.66	2.14	2.64	3.21	3.87	4.69	5.70	6.98	-
40	1.28	1.76	2.24	2.75	3.32	4.00	4.82	5.83	-
45	-	1.36	1.84	2.32	2.83	3.41	4.10	4.92	-
50	-	-	1.43	1.90	2.38	2.90	3.48	4.17	-
55	-	-	-	1.49	1.95	2.42	2.94	3.53	-
60	-	-	-	-	1.52	1.97	2.45	2.96	-
65	-	-	-	-	-	1.54	1.99	2.45	-

Nominal performance at to = 7.2 °C, tc = 54.4 °C

Cooling capacity	22 311	W
Power input	6 857	W
Current consumption	10.91	A
Mass flow	505	kg/h
C.O.P.	3.25	

Pressure switch settings

Maximum HP switch setting	45	bar(g)
Minimum LP switch setting	1.5	bar(g)
LP pump down setting	2.3	bar(g)

Sound power data

Sound power level	74	dB(A)
With acoustic hood	69	dB(A)

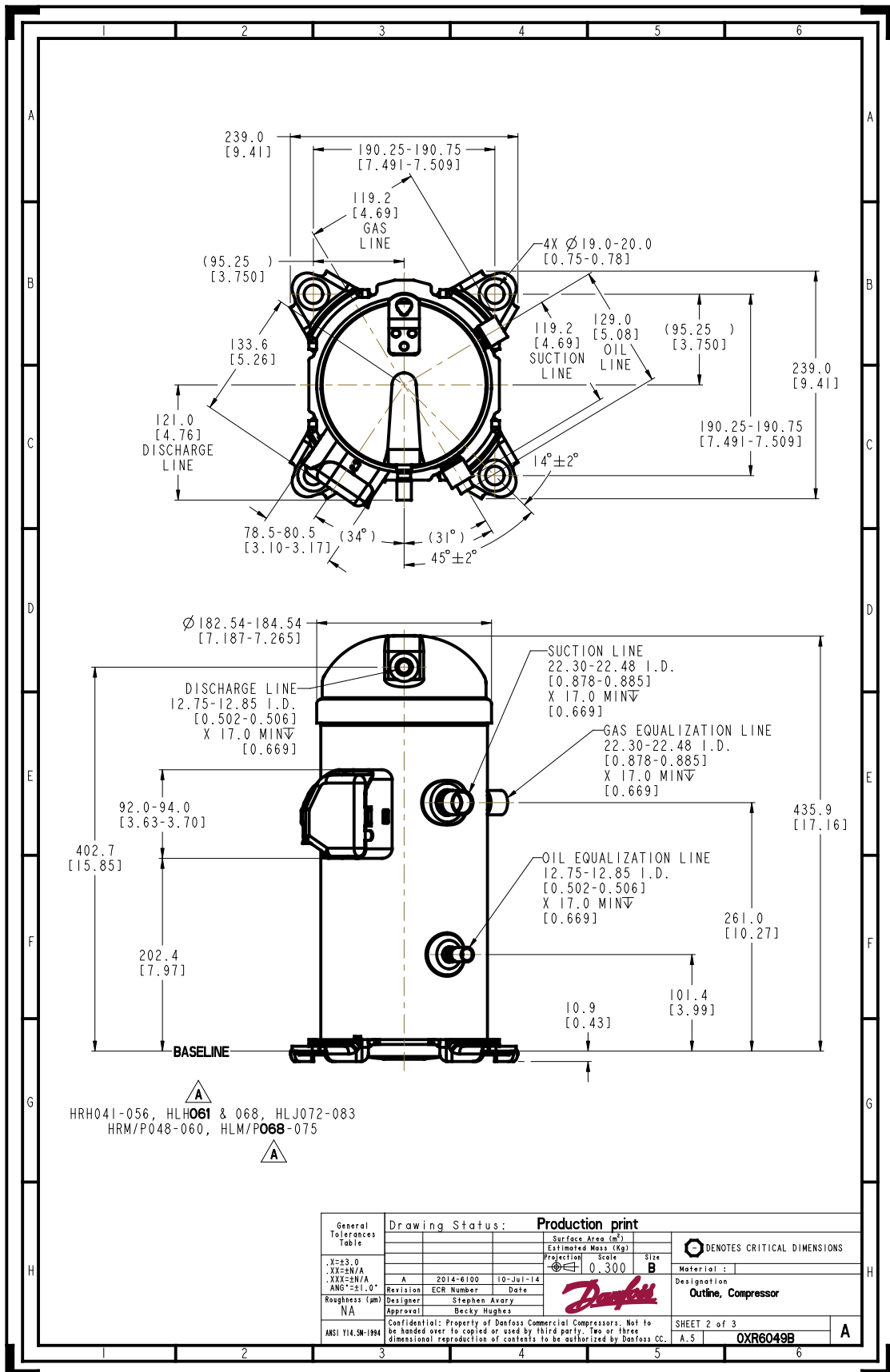
to: Evaporating temperature at dew point

tc: Condensing temperature at dew point

Rating conditions : Superheat = 11.1 K , Subcooling = 8.3 K

Tolerance according EN12900

Danfoss can accept no responsibility for possible errors in catalogues, brochures and other printed material. Danfoss reserves the right to alter its products without notice. This also applies to products already on order provided that such alternations can be made without subsequential changes being necessary in specifications already agreed. All trademarks in this material are property of the respective companies. Danfoss and the Danfoss logotype are trademarks of Danfoss A/S. All rights reserved.



General Tolerances Table	Drawing Status: Production print			Surface Area (m ²)	Estimated Mass (kg)	Projection	Scale	Size	Material	Designation	SHEET 2 of 3
	Y=±3.0	XX=±0.10	XX=±0.10								
Revision	ECR Number	Date	DENOTES CRITICAL DIMENSIONS Designation: Outline, Compressor Confidential: Property of Danfoss Commercial Compressors. Not to be handed over, copied or used by third party. Two or three dimensional reproduction of contents to be authorized by Danfoss CC.								
Designer: Stephen Avary	Approval: Becky Hughes	Revision: A, 2014-6-10, 10-Jul-14 Designer: Stephen Avary Approval: Becky Hughes SHEET 2 of 3 A.5 OXR6049B A									

Danfoss can accept no responsibility for possible errors in catalogues, brochures and other printed material. Danfoss reserves the right to alter its products without notice. This also applies to products already on order provided that such alternations can be made without consequential changes being necessary in specifications already agreed. All trademarks in this material are property of the respective companies. Danfoss, the Danfoss logotype and Maneurop are trademarks of Danfoss A/S. All rights reserved.