

Datasheets

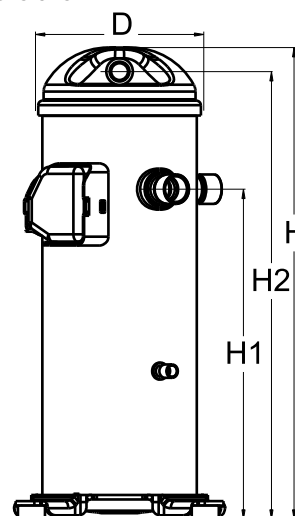
Danfoss scroll compressors **H series**



General Characteristics

Model number (on compressor nameplate)		HLM081T4LC6
Code number for Singlepack*		120U1776
Code number for Industrial pack**		120U1773
Drawing number		0XR6089B-2
Suction and discharge connections		Brazed
Suction connection		7/8 " ODF
Discharge connection		3/4 " ODF
Oil sight glass		None
Oil equalisation connection		None
Oil drain connection		None
LP gauge port		None
IPR valve		Yes
Swept volume		110,94 cm ³ /rev
Displacement @ Nominal speed		19.3 m ³ /h @ 2900 rpm - 23.3 m ³ /h @ 3500 rpm
Net weight		37,2 kg
Oil charge		1,57 litre, Alkylbenzene - -
Maximum system test pressure Low Side / High side		- bar(g) / - bar(g)
Maximum differential test pressure		- bar
Maximum number of starts per hour		-
Refrigerant charge limit		5,44 kg
Approved refrigerants		R22

Dimensions

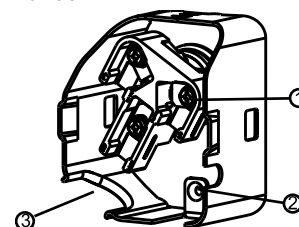


D=183,5 mm
H=455 mm
H1=280 mm
H2=422 mm
H3=- mm

Electrical Characteristics

Nominal voltage	380-415V/3/50Hz - 460V/3/60Hz
Voltage range	342-457 V @ 50Hz - 414-506 V @ 60Hz
Winding resistance between phases 1-2 +/- 7% at 25°C	1.716 Ω
Winding resistance between phases 1-3 +/- 7% at 25°C	1.694 Ω
Winding resistance between phases 2-3 +/- 7% at 25°C	1.666 Ω
Rated Load Amps (RLA)	11 A
Maximum Continuous Current (MCC)	17 A
Locked Rotor Amps (LRA)	87 A
Motor protection	Internal overload protector

Terminal box



IP22

- 1: Screw connectors 10-32 UNF x 9.5
- 2: Earth connection
- 3: Power cable passage

Recommended Installation torques

Oil sight glass	52,5 Nm
Power connections / Earth connection	3 Nm / 2 Nm

Parts shipped with compressor

Mounting kit with grommets and sleeves
Initial oil charge
Installation instructions

Approvals : CE certified, UL certified (file SA11565), -

*Singlepack: Compressor in cardboard box

**Industrial pack: 12 or 16 Unboxed compressors on pallet

Rotolock accessories, suction side

Code no.

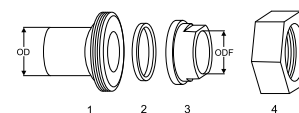
Rotolock valve, V05 (1-1/4" Rotolock, 7/8" ODF)	8168030
Gasket, 1-1/4"	8156131

Rotolock accessories, discharge side

Code no.

Solder sleeve, P04 (1-1/4" Rotolock, 3/4" ODF)	8153008
Angle adapter, C04 (1-1/4" Rotolock, 3/4" ODF)	8168006
Rotolock valve, V04 (1-1/4" Rotolock, 3/4" ODF)	8168029
Gasket, 1-1/4"	8156131

Solder sleeve adapter set



- 1: Rotolock adapter (Suc & Dis)
- 2: Gasket (Suc & Dis)
- 3: Solder sleeve (Suc & Dis)
- 4: Rotolock nut (Suc & Dis)

Rotolock accessories, sets

Code no.

Solder sleeve adapter set (1-1/4" Rotolock, 7/8" ODF), (1-1/4" Rotolock, 3/4" ODF)	120Z0128
Gasket set, 1", 1-1/4", 1-3/4", OSG gaskets black & white	8156009

Oil / lubricants

Code no.

Crankcase heaters

Code no.

Belt type crankcase heater, 65 W, 230 V, CE mark, UL	120Z0059
Belt type crankcase heater, 65 W, 400 V, CE mark, UL	120Z0060
Belt type crankcase heater, 70 W, 240 V, CE mark, UL	120Z5040
Belt type crankcase heater, 70 W, 240 V, CE mark, UL	120Z5040

Miscellaneous accessories

Code no.

Acoustic hood	120Z5044
Discharge thermostat kit	7750009

Spare parts

Code no.

Mounting kit for 1 scroll compressor including 4 grommets, 4 sleeves, 4 bolts, 4 washers	120Z5005
Mounting kit, including 1 bolt, 1 sleeve, 1 washer	120Z5031

Performance data at 50 Hz, EN 12900 rating conditions

R22

Cond. temp. in °C (tc)	Evaporating temperature in °C (to)							
	-25	-20	-15	-10	-5	0	5	10

Cooling capacity in W

30	7 400	8 657	10 481	12 842	15 711	19 058	22 854	27 069	-
35	6 910	8 145	9 910	12 175	14 910	18 088	21 677	25 648	-
40	6 298	7 538	9 269	11 465	14 094	17 129	20 539	24 295	-
45	-	6 801	8 527	10 679	13 229	16 148	19 406	22 973	-
50	-	-	7 650	9 785	12 282	15 111	18 243	21 648	-
55	-	-	-	8 751	11 220	13 984	17 016	20 285	-
60	-	-	-	-	10 012	12 736	15 693	18 851	-
65	-	-	-	-	-	11 336	14 240	17 311	-

Power input in W

30	3 312	3 201	3 197	3 275	3 411	3 580	3 757	3 918	-
35	3 855	3 715	3 673	3 704	3 783	3 887	3 989	4 067	-
40	4 361	4 222	4 171	4 184	4 237	4 304	4 362	4 386	-
45	-	4 688	4 658	4 683	4 739	4 800	4 842	4 841	-
50	-	-	5 100	5 167	5 254	5 339	5 396	5 400	-
55	-	-	-	5 601	5 750	5 888	5 988	6 027	-
60	-	-	-	-	6 193	6 412	6 586	6 689	-
65	-	-	-	-	-	6 879	7 155	7 351	-

Current consumption in A

30	6.85	6.98	7.07	7.12	7.15	7.14	7.12	7.09	-
35	7.39	7.48	7.54	7.57	7.59	7.59	7.57	7.56	-
40	8.12	8.17	8.20	8.22	8.22	8.21	8.21	8.21	-
45	-	9.07	9.07	9.05	9.04	9.03	9.03	9.04	-
50	-	-	10.14	10.10	10.06	10.04	10.04	10.07	-
55	-	-	-	11.35	11.30	11.26	11.26	11.29	-
60	-	-	-	-	12.74	12.70	12.69	12.73	-
65	-	-	-	-	-	14.35	14.34	14.38	-

Mass flow in kg/h

30	162	187	223	269	325	390	463	542	-
35	157	183	219	265	321	384	455	533	-
40	149	176	213	260	316	379	449	524	-
45	-	166	205	253	309	372	442	517	-
50	-	-	193	243	300	364	434	509	-
55	-	-	-	229	288	353	424	500	-
60	-	-	-	-	272	339	412	488	-
65	-	-	-	-	-	322	396	474	-

Coefficient of performance (C.O.P.)

30	2.23	2.70	3.28	3.92	4.61	5.32	6.08	6.91	-
35	1.79	2.19	2.70	3.29	3.94	4.65	5.43	6.31	-
40	1.44	1.79	2.22	2.74	3.33	3.98	4.71	5.54	-
45	-	1.45	1.83	2.28	2.79	3.36	4.01	4.74	-
50	-	-	1.50	1.89	2.34	2.83	3.38	4.01	-
55	-	-	-	1.56	1.95	2.38	2.84	3.37	-
60	-	-	-	-	1.62	1.99	2.38	2.82	-
65	-	-	-	-	-	1.65	1.99	2.35	-

Nominal performance at to = 5 °C, tc = 50 °C

Cooling capacity	18 243	W
Power input	5 396	W
Current consumption	10.04	A
Mass flow	434	kg/h
C.O.P.	3.38	

Pressure switch settings

Maximum HP switch setting	29	bar(g)
Minimum LP switch setting	0.5	bar(g)
LP pump down setting	1.3	bar(g)

Sound power data

Sound power level	71	dB(A)
With acoustic hood	66	dB(A)

to: Evaporating temperature at dew point

tc: Condensing temperature at dew point

Rating conditions : Superheat = 10 K , Subcooling = 0 K

All performance data +/- 5%

Danfoss can accept no responsibility for possible errors in catalogues, brochures and other printed material. Danfoss reserves the right to alter its products without notice. This also applies to products already on order provided that such alternations can be made without subsequential changes being necessary in specifications already agreed. All trademarks in this material are property of the respective companies. Danfoss and the Danfoss logotype are trademarks of Danfoss A/S. All rights reserved.

Performance data at 50 Hz, ARI rating conditions

R22

Cond. temp. in °C (tc)	Evaporating temperature in °C (to)							
	-25	-20	-15	-10	-5	0	5	10

Cooling capacity in W

30	7 859	9 187	11 114	13 607	16 635	20 165	24 164	28 602	-
35	7 366	8 674	10 544	12 943	15 839	19 200	22 992	27 185	-
40	6 740	8 059	9 901	12 234	15 028	18 248	21 863	25 841	-
45	-	7 304	9 148	11 445	14 165	17 274	20 740	24 532	-
50	-	-	8 249	10 539	13 214	16 241	19 588	23 223	-
55	-	-	-	9 480	12 139	15 114	18 370	21 877	-
60	-	-	-	-	10 905	13 855	17 050	20 458	-
65	-	-	-	-	-	12 430	15 593	18 931	-

Power input in W

30	3 312	3 201	3 197	3 275	3 411	3 580	3 757	3 918	-
35	3 855	3 715	3 673	3 704	3 783	3 887	3 989	4 067	-
40	4 361	4 222	4 171	4 184	4 237	4 304	4 362	4 386	-
45	-	4 688	4 658	4 683	4 739	4 800	4 842	4 841	-
50	-	-	5 100	5 167	5 254	5 339	5 396	5 400	-
55	-	-	-	5 601	5 750	5 888	5 988	6 027	-
60	-	-	-	-	6 193	6 412	6 586	6 689	-
65	-	-	-	-	-	6 879	7 155	7 351	-

Current consumption in A

30	6.85	6.98	7.07	7.12	7.15	7.14	7.12	7.09	-
35	7.39	7.48	7.54	7.57	7.59	7.59	7.57	7.56	-
40	8.12	8.17	8.20	8.22	8.22	8.21	8.21	8.21	-
45	-	9.07	9.07	9.05	9.04	9.03	9.03	9.04	-
50	-	-	10.14	10.10	10.06	10.04	10.04	10.07	-
55	-	-	-	11.35	11.30	11.26	11.26	11.29	-
60	-	-	-	-	12.74	12.70	12.69	12.73	-
65	-	-	-	-	-	14.35	14.34	14.38	-

Mass flow in kg/h

30	161	186	222	268	324	388	460	539	-
35	156	182	218	264	319	382	453	530	-
40	148	175	212	259	314	377	446	522	-
45	-	165	204	252	307	370	439	514	-
50	-	-	192	241	298	362	431	506	-
55	-	-	-	228	286	351	422	497	-
60	-	-	-	-	271	338	410	486	-
65	-	-	-	-	-	320	394	472	-

Coefficient of performance (C.O.P.)

30	2.37	2.87	3.48	4.15	4.88	5.63	6.43	7.30	-
35	1.91	2.34	2.87	3.49	4.19	4.94	5.76	6.68	-
40	1.55	1.91	2.37	2.92	3.55	4.24	5.01	5.89	-
45	-	1.56	1.96	2.44	2.99	3.60	4.28	5.07	-
50	-	-	1.62	2.04	2.51	3.04	3.63	4.30	-
55	-	-	-	1.69	2.11	2.57	3.07	3.63	-
60	-	-	-	-	1.76	2.16	2.59	3.06	-
65	-	-	-	-	-	1.81	2.18	2.58	-

Nominal performance at to = 7.2 °C, tc = 54.4 °C

Cooling capacity	20 040	W
Power input	5 939	W
Current consumption	11.11	A
Mass flow	456	kg/h
C.O.P.	3.37	

Pressure switch settings

Maximum HP switch setting	29	bar(g)
Minimum LP switch setting	0.5	bar(g)
LP pump down setting	1.3	bar(g)

Sound power data

Sound power level	71	dB(A)
With acoustic hood	66	dB(A)

to: Evaporating temperature at dew point

tc: Condensing temperature at dew point

Rating conditions : Superheat = 11.1 K , Subcooling = 8.3 K

All performance data +/- 5%

Danfoss can accept no responsibility for possible errors in catalogues, brochures and other printed material. Danfoss reserves the right to alter its products without notice. This also applies to products already on order provided that such alternations can be made without subsequential changes being necessary in specifications already agreed. All trademarks in this material are property of the respective companies. Danfoss and the Danfoss logotype are trademarks of Danfoss A/S. All rights reserved.

Performance data at 60 Hz, EN 12900 rating conditions
R22

Cond. temp. in °C (tc)	Evaporating temperature in °C (to)							
	-25	-20	-15	-10	-5	0	5	10

Cooling capacity in W

30	8 520	9 945	12 047	14 782	18 107	21 977	26 349	31 178	-
35	7 996	9 406	11 453	14 091	17 277	20 968	25 119	29 686	-
40	7 324	8 755	10 779	13 355	16 437	19 983	23 949	28 289	-
45	-	7 942	9 979	12 526	15 538	18 974	22 788	26 938	-
50	-	-	9 005	11 556	14 532	17 891	21 588	25 580	-
55	-	-	-	10 399	13 371	16 685	20 298	24 165	-
60	-	-	-	-	12 009	15 310	18 869	22 644	-
65	-	-	-	-	-	13 719	17 255	20 968	-

Power input in W

30	4 322	4 359	4 380	4 377	4 345	4 278	4 168	4 009	-
35	4 834	4 841	4 846	4 840	4 818	4 774	4 700	4 590	-
40	5 407	5 375	5 352	5 333	5 310	5 277	5 229	5 157	-
45	-	5 985	5 925	5 881	5 846	5 815	5 780	5 736	-
50	-	-	6 589	6 509	6 452	6 411	6 380	6 352	-
55	-	-	-	7 245	7 154	7 093	7 054	7 032	-
60	-	-	-	-	7 977	7 885	7 828	7 800	-
65	-	-	-	-	-	8 813	8 727	8 684	-

Current consumption in A

30	6.24	6.36	6.44	6.49	6.51	6.51	6.49	6.46	-
35	6.73	6.82	6.87	6.90	6.91	6.91	6.90	6.89	-
40	7.40	7.45	7.48	7.49	7.49	7.48	7.48	7.48	-
45	-	8.27	8.26	8.25	8.24	8.23	8.23	8.24	-
50	-	-	9.24	9.20	9.17	9.15	9.15	9.18	-
55	-	-	-	10.34	10.29	10.27	10.26	10.29	-
60	-	-	-	-	11.62	11.57	11.57	11.60	-
65	-	-	-	-	-	13.08	13.07	13.10	-

Mass flow in kg/h

30	185	214	256	310	375	450	534	625	-
35	181	211	253	307	372	446	528	617	-
40	172	204	248	303	368	442	523	611	-
45	-	194	240	297	363	437	519	606	-
50	-	-	227	287	355	431	513	601	-
55	-	-	-	272	343	422	506	595	-
60	-	-	-	-	326	408	495	587	-
65	-	-	-	-	-	389	480	575	-

Coefficient of performance (C.O.P.)

30	1.97	2.28	2.75	3.38	4.17	5.14	6.32	7.78	-
35	1.65	1.94	2.36	2.91	3.59	4.39	5.34	6.47	-
40	1.35	1.63	2.01	2.50	3.10	3.79	4.58	5.49	-
45	-	1.33	1.68	2.13	2.66	3.26	3.94	4.70	-
50	-	-	1.37	1.78	2.25	2.79	3.38	4.03	-
55	-	-	-	1.44	1.87	2.35	2.88	3.44	-
60	-	-	-	-	1.51	1.94	2.41	2.90	-
65	-	-	-	-	-	1.56	1.98	2.41	-

Nominal performance at to = 5 °C, tc = 50 °C

Cooling capacity	21 588	W
Power input	6 380	W
Current consumption	9.15	A
Mass flow	513	kg/h
C.O.P.	3.38	

Pressure switch settings

Maximum HP switch setting	29	bar(g)
Minimum LP switch setting	0.5	bar(g)
LP pump down setting	1.3	bar(g)

Sound power data

Sound power level	74	dB(A)
With acoustic hood	69	dB(A)

to: Evaporating temperature at dew point

tc: Condensing temperature at dew point

Rating conditions : Superheat = 10 K , Subcooling = 0 K

All performance data +/- 5%

Danfoss can accept no responsibility for possible errors in catalogues, brochures and other printed material. Danfoss reserves the right to alter its products without notice. This also applies to products already on order provided that such alternations can be made without subsequential changes being necessary in specifications already agreed. All trademarks in this material are property of the respective companies. Danfoss and the Danfoss logotype are trademarks of Danfoss A/S. All rights reserved.

Performance data at 60 Hz, ARI rating conditions

R22

Cond. temp. in °C (tc)	Evaporating temperature in °C (to)							
	-25	-20	-15	-10	-5	0	5	10

Cooling capacity in W

30	9 049	10 554	12 774	15 663	19 172	23 253	27 859	32 943	-
35	8 522	10 017	12 186	14 980	18 353	22 256	26 643	31 465	-
40	7 838	9 360	11 513	14 251	17 525	21 288	25 492	30 090	-
45	-	8 529	10 706	13 424	16 637	20 297	24 356	28 766	-
50	-	-	9 710	12 446	15 635	19 229	23 180	27 441	-
55	-	-	-	11 265	14 467	18 032	21 913	26 061	-
60	-	-	-	-	13 081	16 655	20 502	24 575	-
65	-	-	-	-	-	15 043	18 895	22 930	-

Power input in W

30	4 322	4 359	4 380	4 377	4 345	4 278	4 168	4 009	-
35	4 834	4 841	4 846	4 840	4 818	4 774	4 700	4 590	-
40	5 407	5 375	5 352	5 333	5 310	5 277	5 229	5 157	-
45	-	5 985	5 925	5 881	5 846	5 815	5 780	5 736	-
50	-	-	6 589	6 509	6 452	6 411	6 380	6 352	-
55	-	-	-	7 245	7 154	7 093	7 054	7 032	-
60	-	-	-	-	7 977	7 885	7 828	7 800	-
65	-	-	-	-	-	8 813	8 727	8 684	-

Current consumption in A

30	6.24	6.36	6.44	6.49	6.51	6.51	6.49	6.46	-
35	6.73	6.82	6.87	6.90	6.91	6.91	6.90	6.89	-
40	7.40	7.45	7.48	7.49	7.49	7.48	7.48	7.48	-
45	-	8.27	8.26	8.25	8.24	8.23	8.23	8.24	-
50	-	-	9.24	9.20	9.17	9.15	9.15	9.18	-
55	-	-	-	10.34	10.29	10.27	10.26	10.29	-
60	-	-	-	-	11.62	11.57	11.57	11.60	-
65	-	-	-	-	-	13.08	13.07	13.10	-

Mass flow in kg/h

30	184	213	255	308	373	448	531	622	-
35	180	209	252	306	370	443	525	613	-
40	171	203	247	302	366	439	520	607	-
45	-	193	239	295	361	435	516	603	-
50	-	-	226	285	353	429	511	598	-
55	-	-	-	271	341	419	503	592	-
60	-	-	-	-	325	406	493	584	-
65	-	-	-	-	-	387	478	572	-

Coefficient of performance (C.O.P.)

30	2.09	2.42	2.92	3.58	4.41	5.44	6.68	8.22	-
35	1.76	2.07	2.51	3.09	3.81	4.66	5.67	6.86	-
40	1.45	1.74	2.15	2.67	3.30	4.03	4.88	5.83	-
45	-	1.43	1.81	2.28	2.85	3.49	4.21	5.02	-
50	-	-	1.47	1.91	2.42	3.00	3.63	4.32	-
55	-	-	-	1.55	2.02	2.54	3.11	3.71	-
60	-	-	-	-	1.64	2.11	2.62	3.15	-
65	-	-	-	-	-	1.71	2.17	2.64	-

Nominal performance at to = 7.2 °C, tc = 54.4 °C

Cooling capacity	23 871	W
Power input	6 957	W
Current consumption	10.13	A
Mass flow	543	kg/h
C.O.P.	3.43	

Pressure switch settings

Maximum HP switch setting	29	bar(g)
Minimum LP switch setting	0.5	bar(g)
LP pump down setting	1.3	bar(g)

Sound power data

Sound power level	74	dB(A)
With acoustic hood	69	dB(A)

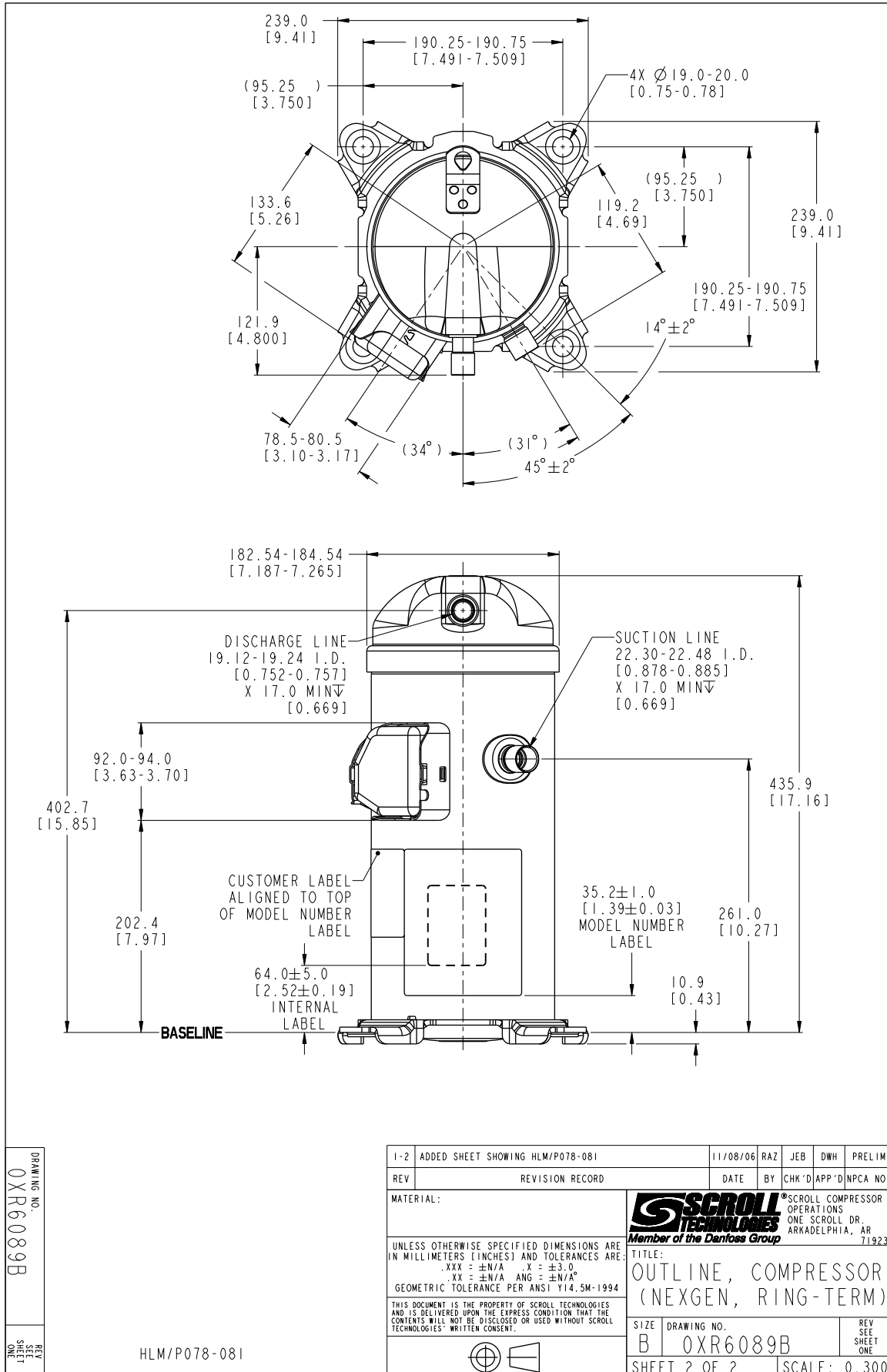
to: Evaporating temperature at dew point

tc: Condensing temperature at dew point

Rating conditions : Superheat = 11.1 K , Subcooling = 8.3 K

All performance data +/- 5%

Danfoss can accept no responsibility for possible errors in catalogues, brochures and other printed material. Danfoss reserves the right to alter its products without notice. This also applies to products already on order provided that such alternations can be made without subsequential changes being necessary in specifications already agreed. All trademarks in this material are property of the respective companies. Danfoss and the Danfoss logotype are trademarks of Danfoss A/S. All rights reserved.



DRAWING NO.
0XR6089B
REV
SEE
SHEET
ONE

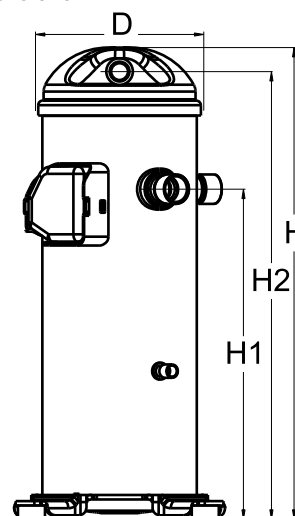
HLM/P078-081

1-2	ADDED SHEET SHOWING HLM/P078-081	11/08/06	RAZ	JEB	DWH	PRELIM
REV	REVISION RECORD	DATE	BY	CHK'D	APP'D	NPCA NO.
MATERIAL:		SCROLL COMPRESSOR OPERATIONS ONE SCROLL DR. ARKADDELPHIA, AR 71923 Member of the Danfoss Group				
UNLESS OTHERWISE SPECIFIED DIMENSIONS ARE IN MILLIMETERS (INCHES) AND TOLERANCES ARE:		TITLE:				
.XXX = ±N/A .X = ±3.0		OUTLINE, COMPRESSOR				
.XX = ±N/A ANG = ±N/A°		(NEXGEN, RING-TERM)				
GEOMETRIC TOLERANCE PER ANSI Y14.5M-1994		SIZE		DRAWING NO.		REV
THIS DOCUMENT IS THE PROPERTY OF SCROLL TECHNOLOGIES AND IS DELIVERED UPON THE EXPRESS CONDITION THAT THE CONTENTS WILL NOT BE DISCLOSED OR USED WITHOUT SCROLL TECHNOLOGIES' WRITTEN CONSENT.		B		0XR6089B		SEE SHEET ONE
		SHEET 2 OF 2		SCALE: 0.300		

Danfoss can accept no responsibility for possible errors in catalogues, brochures and other printed material. Danfoss reserves the right to alter its products without notice. This also applies to products already on order provided that such alternations can be made without consequential changes being necessary in specifications already agreed. All trademarks in this material are property of the respective companies. Danfoss, the Danfoss logotype and Maneurop are trademarks of Danfoss A/S. All rights reserved.

General Characteristics

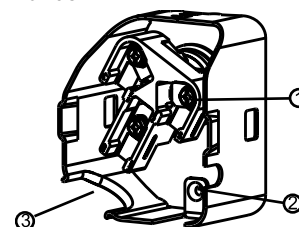
Model number (on compressor nameplate)		HLM081T4LC8
Code number for Singlepack*		120U2727
Drawing number		0XR6089B-2
Suction and discharge connections		Brazed
Suction connection		7/8" ODF
Discharge connection		3/4" ODF
Oil sight glass		None
Oil equalisation connection		None
Oil drain connection		None
LP gauge port		None
IPR valve		Yes
Swept volume		110,94 cm ³ /rev
Displacement @ Nominal speed		19.3 m ³ /h @ 2900 rpm - 23.3 m ³ /h @ 3500 rpm
Net weight		37,2 kg
Oil charge		1,57 litre, Alkylbenzene - -
Maximum system test pressure Low Side / High side		- bar(g) / - bar(g)
Maximum differential test pressure		- bar
Maximum number of starts per hour		-
Refrigerant charge limit		5,44 kg
Approved refrigerants		R22

Dimensions


D=183,5 mm
H=455 mm
H1=280 mm
H2=422 mm
H3=- mm

Electrical Characteristics

Nominal voltage	380-415V/3/50Hz - 460V/3/60Hz
Voltage range	342-457 V @ 50Hz - 414-506 V @ 60Hz
Winding resistance between phases 1-2 +/- 7% at 25°C	1.716 Ω
Winding resistance between phases 1-3 +/- 7% at 25°C	1.694 Ω
Winding resistance between phases 2-3 +/- 7% at 25°C	1.666 Ω
Rated Load Amps (RLA)	11 A
Maximum Continuous Current (MCC)	17 A
Locked Rotor Amps (LRA)	87 A
Motor protection	Internal overload protector

Terminal box


IP22

- 1: Screw connectors 10-32 UNF x 9.5
- 2: Earth connection
- 3: Power cable passage

Recommended Installation torques

Oil sight glass	52,5 Nm
Power connections / Earth connection	3 Nm / 2 Nm

Parts shipped with compressor

Mounting kit with grommets and sleeves
Initial oil charge
Installation instructions

Approvals : CE certified, -, CCC certified

*Singlepack: Compressor in cardboard box

**Industrial pack: 12 or 16 Unboxed compressors on pallet

Rotolock accessories, suction side

Code no.

Rotolock valve, V05 (1-1/4" Rotolock, 7/8" ODF)	8168030
Gasket, 1-1/4"	8156131

Rotolock accessories, discharge side

Code no.

Solder sleeve, P04 (1-1/4" Rotolock, 3/4" ODF)	8153008
Angle adapter, C04 (1-1/4" Rotolock, 3/4" ODF)	8168006
Rotolock valve, V04 (1-1/4" Rotolock, 3/4" ODF)	8168029
Gasket, 1-1/4"	8156131

Rotolock accessories, sets

Code no.

Solder sleeve adapter set (1-1/4" Rotolock, 7/8" ODF), (1-1/4" Rotolock, 3/4" ODF)	120Z0128
Gasket set, 1", 1-1/4", 1-3/4", OSG gaskets black & white	8156009

Oil / lubricants

Code no.

Crankcase heaters

Code no.

Belt type crankcase heater, 65 W, 230 V, CE mark, UL	120Z0059
Belt type crankcase heater, 65 W, 400 V, CE mark, UL	120Z0060
Belt type crankcase heater, 70 W, 240 V, CE mark, UL	120Z5040
Belt type crankcase heater, 70 W, 240 V, CE mark, UL	120Z5040

Miscellaneous accessories

Code no.

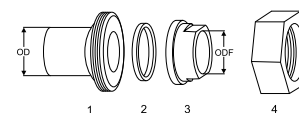
Acoustic hood	120Z5044
Discharge thermostat kit	7750009

Spare parts

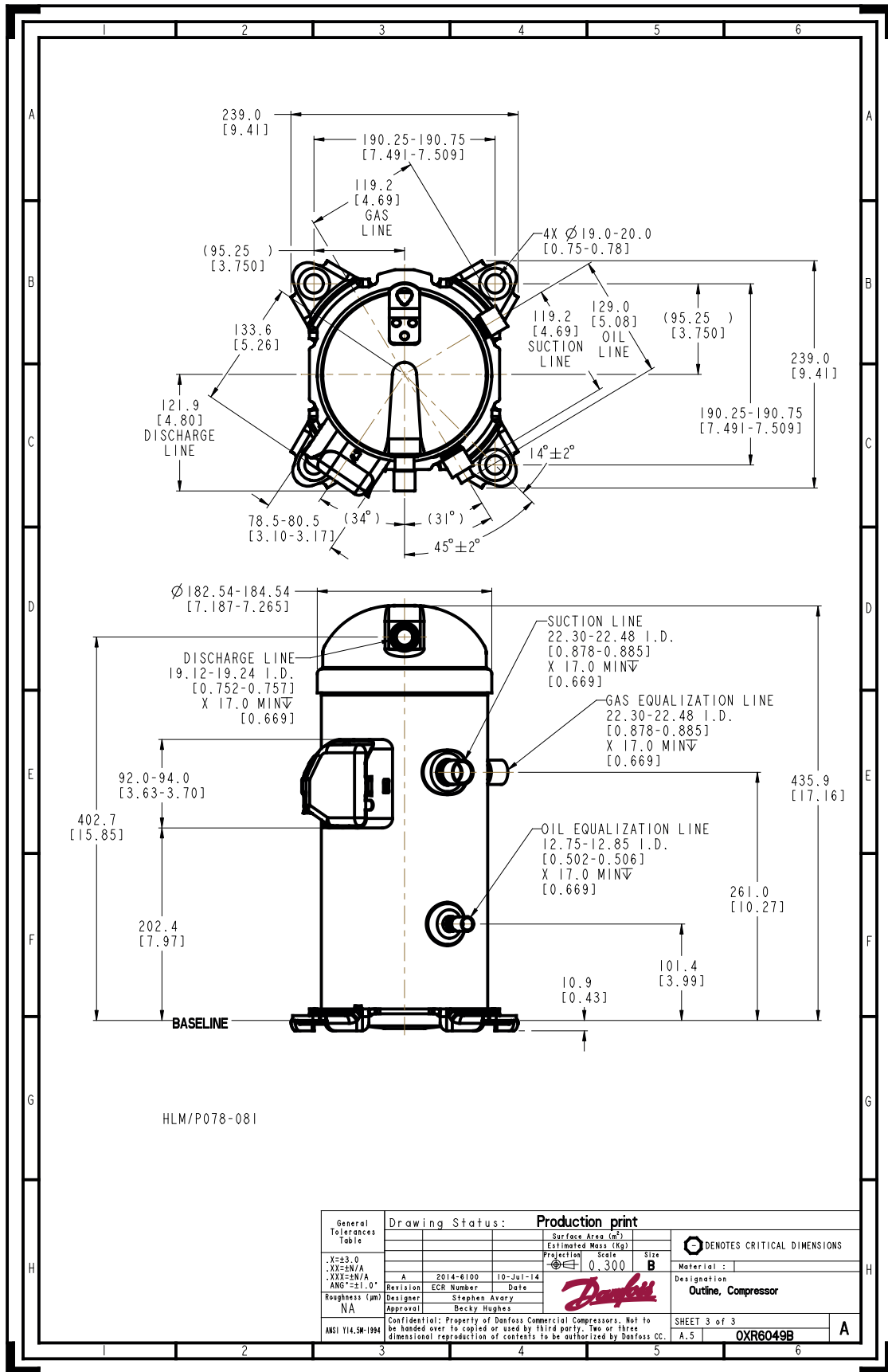
Code no.

Mounting kit for 1 scroll compressor including 4 grommets, 4 sleeves, 4 bolts, 4 washers	120Z5005
Mounting kit, including 1 bolt, 1 sleeve, 1 washer	120Z5031

Solder sleeve adapter set



- 1: Rotolock adapter (Suc & Dis)
- 2: Gasket (Suc & Dis)
- 3: Solder sleeve (Suc & Dis)
- 4: Rotolock nut (Suc & Dis)



General Tolerances Table .X±.3.0 .XX±.6N/A .XXX±.1N/A ANG°±1.0° Roughness (µm) NA ANSI Y14.5M-1994	Drawing Status: Production print			Surface Area (m²) Estimated Mass (Kg) Projected Scale 0.300	Size B	DENOTES CRITICAL DIMENSIONS Material: Designation Outline, Compressor SHEET 3 of 3 A.5 OXR6049B A
	Revision	ECR Number	Date			
	Designer	Stephen Avary				
	Approval	Becky Hughes				
Confidential: Property of Danfoss Commercial Compressors. Not to be handed over to copied or used by third party. Two or three dimensional reproduction of contents to be authorized by Danfoss CC.						