

ENGINEERING
TOMORROW

Danfoss

Datasheets

Danfoss scroll compressors **H series**



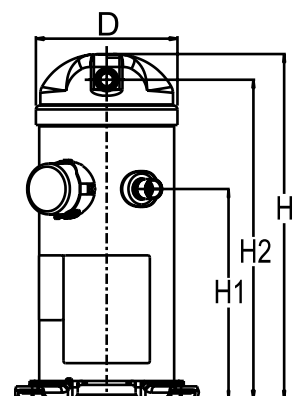
FRCC.UD.180315.134844

www.danfoss.com/odsg

General Characteristics

Model number (on compressor nameplate)		HRH044U4LP6
Code number for Singlepack*		120U1361
Code number for Industrial pack**		120U1358
Drawing number		0XR6002B-2
Suction and discharge connections		Brazed
Suction connection		7/8 " ODF
Discharge connection		1/2 " ODF
Oil sight glass		None
Oil equalisation connection		None
Oil drain connection		None
LP gauge port		None
IPR valve		Yes
Swept volume		42.61 cm ³ /rev
Displacement @ Nominal speed		7.4 m ³ /h @ 2900 rpm - 8.9 m ³ /h @ 3500 rpm
Net weight		37.19 kg
Oil charge		1.57 litre, PVE --
Maximum system test pressure Low Side / High side		- bar(g) / - bar(g)
Maximum differential test pressure		- bar
Maximum number of starts per hour		-
Refrigerant charge limit		5.44 kg
Approved refrigerants		R410A

Dimensions

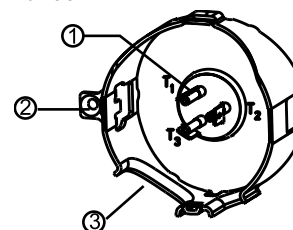


D=183.5 mm
H=455 mm
H1=280 mm
H2=422 mm
H3=- mm

Electrical Characteristics

Nominal voltage	380-415V/3/50Hz - 460V/3/60Hz
Voltage range	342-457 V @ 50Hz - 414-506 V @ 60Hz
Winding resistance between phases 1-2 +/- 7% at 25°C	2.600 Ω
Winding resistance between phases 1-3 +/- 7% at 25°C	2.610 Ω
Winding resistance between phases 2-3 +/- 7% at 25°C	2.650 Ω
Rated Load Amps (RLA)	8.6 A
Maximum Continuous Current (MCC)	13.5 A
Locked Rotor Amps (LRA)	60 A
Motor protection	Internal overload protector

Terminal box



IP22

- 1: Spade connectors 1/4"
- 2: Earth connection
- 3: Power cable passage

Recommended Installation torques

Oil sight glass	52.5 Nm
Power connections / Earth connection	0 Nm / 0 Nm

Parts shipped with compressor

Mounting kit with grommets and sleeves
Initial oil charge
Installation instructions

Approvals : CE certified, UL certified (file SA11565), -

*Singlepack: Compressor in cardboard box

**Industrial pack: 12 or 16 Unboxed compressors on pallet

Rotolock accessories, suction side

Code no.

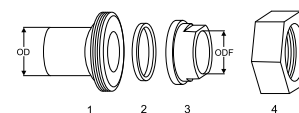
Rotolock valve, V05 (1-1/4" Rotolock, 7/8" ODF)	8168030
Gasket, 1-1/4"	8156131

Rotolock accessories, discharge side

Code no.

Solder sleeve, P06 (1" Rotolock, 1/2" ODF)	8153007
Angle adapter, C06 (1" Rotolock, 1/2" ODF)	8168007
Rotolock valve, V06 (1" Rotolock, 1/2" ODF)	8168031
Gasket, 1"	8156130

Solder sleeve adapter set



- 1: Rotolock adapter (Suc & Dis)
- 2: Gasket (Suc & Dis)
- 3: Solder sleeve (Suc & Dis)
- 4: Rotolock nut (Suc & Dis)

Rotolock accessories, sets

Code no.

Solder sleeve adapter set (1-1/4" Rotolock, 7/8" ODF), (1" Rotolock, 1/2" ODF)	120Z0127
Gasket set, 1", 1-1/4", 1-3/4", OSG gaskets black & white	8156009

Oil / lubricants

Code no.

PVE lubricant, 320HV (FVC68D), 1 litre can	120Z5034
--	----------

Crankcase heaters

Code no.

Belt type crankcase heater, 50 W, 230 V, CE mark, UL	120Z0057
Belt type crankcase heater, 50 W, 400 V, CE mark, UL	120Z0058

Miscellaneous accessories

Code no.

Acoustic hood	120Z5044
Discharge thermostat kit	7750009
IP54 upgrade kit	118U0056

Spare parts

Code no.

Mounting kit for 1 scroll compressor including 4 grommets, 4 sleeves, 4 bolts, 4 washers	120Z5005
Mounting kit, including 1 bolt, 1 sleeve, 1 washer	120Z5031
No translation for 120Z5015	120Z5015

Performance data at 50 Hz, EN 12900 rating conditions

R410A

Cond. temp. in °C (tc)	Evaporating temperature in °C (to)							
	-25	-20	-15	-10	-5	0	5	10

Cooling capacity in W

30	3 832	4 829	5 945	7 242	8 780	10 621	12 826	15 456	-
35	3 415	4 466	5 585	6 830	8 264	9 946	11 938	14 301	-
40	-	3 987	5 146	6 381	7 751	9 316	11 137	13 274	-
45	-	-	4 591	5 853	7 198	8 686	10 376	12 329	-
50	-	-	-	5 206	6 564	8 013	9 612	11 419	-
55	-	-	-	-	5 806	7 251	8 795	10 494	-
60	-	-	-	-	-	6 355	7 873	9 496	-
65	-	-	-	-	-	-	6 780	8 347	-

Power input in W

30	1 965	1 985	2 000	2 006	2 000	1 975	1 928	1 854	-
35	2 229	2 251	2 271	2 283	2 285	2 271	2 237	2 179	-
40	-	2 577	2 598	2 615	2 623	2 618	2 594	2 549	-
45	-	-	2 988	3 006	3 018	3 018	3 004	2 969	-
50	-	-	-	3 462	3 475	3 479	3 470	3 443	-
55	-	-	-	-	3 999	4 004	3 998	3 977	-
60	-	-	-	-	-	4 599	4 594	4 576	-
65	-	-	-	-	-	-	5 262	5 245	-

Current consumption in A

30	3.78	3.79	3.83	3.87	3.87	3.80	3.63	3.32	-
35	3.97	4.01	4.09	4.16	4.21	4.19	4.08	3.83	-
40	-	4.29	4.38	4.48	4.55	4.56	4.48	4.28	-
45	-	-	4.75	4.85	4.93	4.95	4.89	4.71	-
50	-	-	-	5.31	5.38	5.40	5.33	5.16	-
55	-	-	-	-	5.94	5.93	5.85	5.66	-
60	-	-	-	-	-	6.60	6.48	6.25	-
65	-	-	-	-	-	-	7.25	6.98	-

Mass flow in kg/h

30	80	99	121	145	174	208	250	300	-
35	75	97	119	144	172	205	243	289	-
40	-	91	116	142	170	202	239	282	-
45	-	-	110	138	167	200	236	276	-
50	-	-	-	131	163	196	232	273	-
55	-	-	-	-	155	191	228	269	-
60	-	-	-	-	-	182	222	264	-
65	-	-	-	-	-	-	213	257	-

Coefficient of performance (C.O.P.)

30	1.95	2.43	2.97	3.61	4.39	5.38	6.65	8.34	-
35	1.53	1.98	2.46	2.99	3.62	4.38	5.34	6.56	-
40	-	1.55	1.98	2.44	2.96	3.56	4.29	5.21	-
45	-	-	1.54	1.95	2.39	2.88	3.45	4.15	-
50	-	-	-	1.50	1.89	2.30	2.77	3.32	-
55	-	-	-	-	1.45	1.81	2.20	2.64	-
60	-	-	-	-	-	1.38	1.71	2.08	-
65	-	-	-	-	-	-	1.29	1.59	-

Nominal performance at to = 5 °C, tc = 50 °C

Cooling capacity	9 612	W
Power input	3 470	W
Current consumption	5.33	A
Mass flow	232	kg/h
C.O.P.	2.77	

Pressure switch settings

Maximum HP switch setting	45	bar(g)
Minimum LP switch setting	1.5	bar(g)
LP pump down setting	2.3	bar(g)

Sound power data

Sound power level	67	dB(A)
With acoustic hood	62	dB(A)

to: Evaporating temperature at dew point

tc: Condensing temperature at dew point

Rating conditions : Superheat = 10 K , Subcooling = 0 K

All performance data +/- 5%

Danfoss can accept no responsibility for possible errors in catalogues, brochures and other printed material. Danfoss reserves the right to alter its products without notice. This also applies to products already on order provided that such alternations can be made without subsequential changes being necessary in specifications already agreed. All trademarks in this material are property of the respective companies. Danfoss and the Danfoss logotype are trademarks of Danfoss A/S. All rights reserved.

Performance data at 50 Hz, ARI rating conditions

R410A

Cond. temp. in °C (tc)	Evaporating temperature in °C (to)							
	-25	-20	-15	-10	-5	0	5	10

Cooling capacity in W

30	4 138	5 209	6 407	7 798	9 445	11 416	13 774	16 586	-
35	-	4 849	6 056	7 399	8 943	10 754	12 896	15 435	-
40	-	-	5 623	6 963	8 448	10 143	12 114	14 425	-
45	-	-	5 062	6 445	7 916	9 540	11 384	13 511	-
50	-	-	-	5 798	7 300	8 898	10 660	12 649	-
55	-	-	-	-	6 556	8 174	9 897	11 793	-
60	-	-	-	-	-	7 320	9 051	10 897	-
65	-	-	-	-	-	-	8 076	9 918	-

Power input in W

30	1 965	1 985	2 000	2 006	2 000	1 975	1 928	1 854	-
35	-	2 251	2 271	2 283	2 285	2 271	2 237	2 179	-
40	-	-	2 598	2 615	2 623	2 618	2 594	2 549	-
45	-	-	2 988	3 006	3 018	3 018	3 004	2 969	-
50	-	-	-	3 462	3 475	3 479	3 470	3 443	-
55	-	-	-	-	3 999	4 004	3 998	3 977	-
60	-	-	-	-	-	4 599	4 594	4 576	-
65	-	-	-	-	-	-	5 262	5 245	-

Current consumption in A

30	3.78	3.79	3.83	3.87	3.87	3.80	3.63	3.32	-
35	-	4.01	4.09	4.16	4.21	4.19	4.08	3.83	-
40	-	-	4.38	4.48	4.55	4.56	4.48	4.28	-
45	-	-	4.75	4.85	4.93	4.95	4.89	4.71	-
50	-	-	-	5.31	5.38	5.40	5.33	5.16	-
55	-	-	-	-	5.94	5.93	5.85	5.66	-
60	-	-	-	-	-	6.60	6.48	6.25	-
65	-	-	-	-	-	-	7.25	6.98	-

Mass flow in kg/h

30	80	99	120	144	173	207	248	298	-
35	-	96	119	143	171	203	242	287	-
40	-	-	115	141	169	201	237	279	-
45	-	-	109	137	166	198	234	274	-
50	-	-	-	130	162	195	231	271	-
55	-	-	-	-	154	190	227	267	-
60	-	-	-	-	-	181	221	262	-
65	-	-	-	-	-	-	212	255	-

Coefficient of performance (C.O.P.)

30	2.11	2.62	3.20	3.89	4.72	5.78	7.15	8.95	-
35	-	2.15	2.67	3.24	3.91	4.73	5.76	7.08	-
40	-	-	2.16	2.66	3.22	3.88	4.67	5.66	-
45	-	-	1.69	2.14	2.62	3.16	3.79	4.55	-
50	-	-	-	1.67	2.10	2.56	3.07	3.67	-
55	-	-	-	-	1.64	2.04	2.48	2.96	-
60	-	-	-	-	-	1.59	1.97	2.38	-
65	-	-	-	-	-	-	1.53	1.89	-

Nominal performance at to = 7.2 °C, tc = 54.4 °C

Cooling capacity	10 804	W
Power input	3 924	W
Current consumption	5.72	A
Mass flow	245	kg/h
C.O.P.	2.75	

Pressure switch settings

Maximum HP switch setting	45	bar(g)
Minimum LP switch setting	1.5	bar(g)
LP pump down setting	2.3	bar(g)

Sound power data

Sound power level	67	dB(A)
With acoustic hood	62	dB(A)

to: Evaporating temperature at dew point

tc: Condensing temperature at dew point

Rating conditions : Superheat = 11.1 K , Subcooling = 8.3 K

All performance data +/- 5%

Danfoss can accept no responsibility for possible errors in catalogues, brochures and other printed material. Danfoss reserves the right to alter its products without notice. This also applies to products already on order provided that such alternations can be made without subsequential changes being necessary in specifications already agreed. All trademarks in this material are property of the respective companies. Danfoss and the Danfoss logotype are trademarks of Danfoss A/S. All rights reserved.

Performance data at 60 Hz, EN 12900 rating conditions

R410A

Cond. temp. in °C (tc)	Evaporating temperature in °C (to)							
	-25	-20	-15	-10	-5	0	5	10

Cooling capacity in W

30	4 605	5 804	7 145	8 704	10 553	12 765	15 415	18 576	-
35	4 105	5 369	6 713	8 210	9 934	11 956	14 350	17 191	-
40	-	4 794	6 188	7 672	9 319	11 201	13 390	15 960	-
45	-	-	5 521	7 039	8 657	10 446	12 479	14 827	-
50	-	-	-	6 262	7 896	9 639	11 562	13 737	-
55	-	-	-	-	6 987	8 726	10 583	12 628	-
60	-	-	-	-	-	7 649	9 476	11 430	-
65	-	-	-	-	-	-	8 163	10 049	-

Power input in W

30	2 402	2 432	2 452	2 458	2 448	2 417	2 362	2 280	-
35	2 668	2 704	2 732	2 748	2 749	2 731	2 692	2 627	-
40	-	3 022	3 054	3 077	3 086	3 079	3 052	3 002	-
45	-	-	3 425	3 452	3 467	3 467	3 449	3 410	-
50	-	-	-	3 878	3 896	3 901	3 889	3 858	-
55	-	-	-	-	4 380	4 386	4 378	4 352	-
60	-	-	-	-	-	4 930	4 922	4 898	-
65	-	-	-	-	-	-	5 527	5 503	-

Current consumption in A

30	4.61	4.64	4.68	4.71	4.76	4.81	4.88	4.97	-
35	4.85	4.89	4.93	4.97	5.01	5.06	5.11	5.18	-
40	-	5.17	5.22	5.27	5.31	5.35	5.40	5.46	-
45	-	-	5.55	5.61	5.65	5.70	5.74	5.79	-
50	-	-	-	5.99	6.05	6.11	6.15	6.20	-
55	-	-	-	-	6.51	6.58	6.63	6.69	-
60	-	-	-	-	-	7.11	7.19	7.25	-
65	-	-	-	-	-	-	7.82	7.89	-

Mass flow in kg/h

30	96	119	145	174	209	251	300	360	-
35	90	116	143	173	207	246	292	347	-
40	-	110	139	171	205	243	287	338	-
45	-	-	132	166	201	240	283	332	-
50	-	-	-	157	196	236	280	328	-
55	-	-	-	-	187	230	275	324	-
60	-	-	-	-	-	219	268	318	-
65	-	-	-	-	-	-	256	310	-

Coefficient of performance (C.O.P.)

30	1.92	2.39	2.91	3.54	4.31	5.28	6.53	8.15	-
35	1.54	1.99	2.46	2.99	3.61	4.38	5.33	6.54	-
40	-	1.59	2.03	2.49	3.02	3.64	4.39	5.32	-
45	-	-	1.61	2.04	2.50	3.01	3.62	4.35	-
50	-	-	-	1.61	2.03	2.47	2.97	3.56	-
55	-	-	-	-	1.60	1.99	2.42	2.90	-
60	-	-	-	-	-	1.55	1.93	2.33	-
65	-	-	-	-	-	-	1.48	1.83	-

Nominal performance at to = 5 °C, tc = 50 °C

Cooling capacity	11 562	W
Power input	3 889	W
Current consumption	6.15	A
Mass flow	280	kg/h
C.O.P.	2.97	

Pressure switch settings

Maximum HP switch setting	45	bar(g)
Minimum LP switch setting	1.5	bar(g)
LP pump down setting	2.3	bar(g)

Sound power data

Sound power level	70	dB(A)
With acoustic hood	65	dB(A)

to: Evaporating temperature at dew point

tc: Condensing temperature at dew point

Rating conditions : Superheat = 10 K , Subcooling = 0 K

All performance data +/- 5%

Danfoss can accept no responsibility for possible errors in catalogues, brochures and other printed material. Danfoss reserves the right to alter its products without notice. This also applies to products already on order provided that such alternations can be made without subsequential changes being necessary in specifications already agreed. All trademarks in this material are property of the respective companies. Danfoss and the Danfoss logotype are trademarks of Danfoss A/S. All rights reserved.

Performance data at 60 Hz, ARI rating conditions
R410A

Cond. temp. in °C (tc)	Evaporating temperature in °C (to)							
	-25	-20	-15	-10	-5	0	5	10

Cooling capacity in W

30	4 973	6 261	7 701	9 371	11 352	13 720	16 554	19 933	-
35	-	5 829	7 280	8 894	10 750	12 926	15 501	18 553	-
40	-	-	6 760	8 372	10 157	12 196	14 565	17 343	-
45	-	-	6 088	7 750	9 519	11 473	13 690	16 249	-
50	-	-	-	6 975	8 781	10 704	12 823	15 216	-
55	-	-	-	-	7 889	9 835	11 909	14 190	-
60	-	-	-	-	-	8 811	10 894	13 116	-
65	-	-	-	-	-	-	9 723	11 941	-

Power input in W

30	2 402	2 432	2 452	2 458	2 448	2 417	2 362	2 280	-
35	-	2 704	2 732	2 748	2 749	2 731	2 692	2 627	-
40	-	-	3 054	3 077	3 086	3 079	3 052	3 002	-
45	-	-	3 425	3 452	3 467	3 467	3 449	3 410	-
50	-	-	-	3 878	3 896	3 901	3 889	3 858	-
55	-	-	-	-	4 380	4 386	4 378	4 352	-
60	-	-	-	-	-	4 930	4 922	4 898	-
65	-	-	-	-	-	-	5 527	5 503	-

Current consumption in A

30	4.61	4.64	4.68	4.71	4.76	4.81	4.88	4.97	-
35	-	4.89	4.93	4.97	5.01	5.06	5.11	5.18	-
40	-	-	5.22	5.27	5.31	5.35	5.40	5.46	-
45	-	-	5.55	5.61	5.65	5.70	5.74	5.79	-
50	-	-	-	5.99	6.05	6.11	6.15	6.20	-
55	-	-	-	-	6.51	6.58	6.63	6.69	-
60	-	-	-	-	-	7.11	7.19	7.25	-
65	-	-	-	-	-	-	7.82	7.89	-

Mass flow in kg/h

30	96	119	144	173	208	249	298	358	-
35	-	116	142	172	205	244	290	345	-
40	-	-	139	170	203	241	285	336	-
45	-	-	131	165	200	238	281	330	-
50	-	-	-	156	195	235	278	326	-
55	-	-	-	-	185	228	273	321	-
60	-	-	-	-	-	218	266	316	-
65	-	-	-	-	-	-	255	308	-

Coefficient of performance (C.O.P.)

30	2.07	2.57	3.14	3.81	4.64	5.68	7.01	8.74	-
35	-	2.16	2.66	3.24	3.91	4.73	5.76	7.06	-
40	-	-	2.21	2.72	3.29	3.96	4.77	5.78	-
45	-	-	1.78	2.25	2.75	3.31	3.97	4.77	-
50	-	-	-	1.80	2.25	2.74	3.30	3.94	-
55	-	-	-	-	1.80	2.24	2.72	3.26	-
60	-	-	-	-	-	1.79	2.21	2.68	-
65	-	-	-	-	-	-	1.76	2.17	-

Nominal performance at to = 7.2 °C, tc = 54.4 °C

Cooling capacity	13 000	W
Power input	4 308	W
Current consumption	6.60	A
Mass flow	294	kg/h
C.O.P.	3.02	

Pressure switch settings

Maximum HP switch setting	45	bar(g)
Minimum LP switch setting	1.5	bar(g)
LP pump down setting	2.3	bar(g)

Sound power data

Sound power level	70	dB(A)
With acoustic hood	65	dB(A)

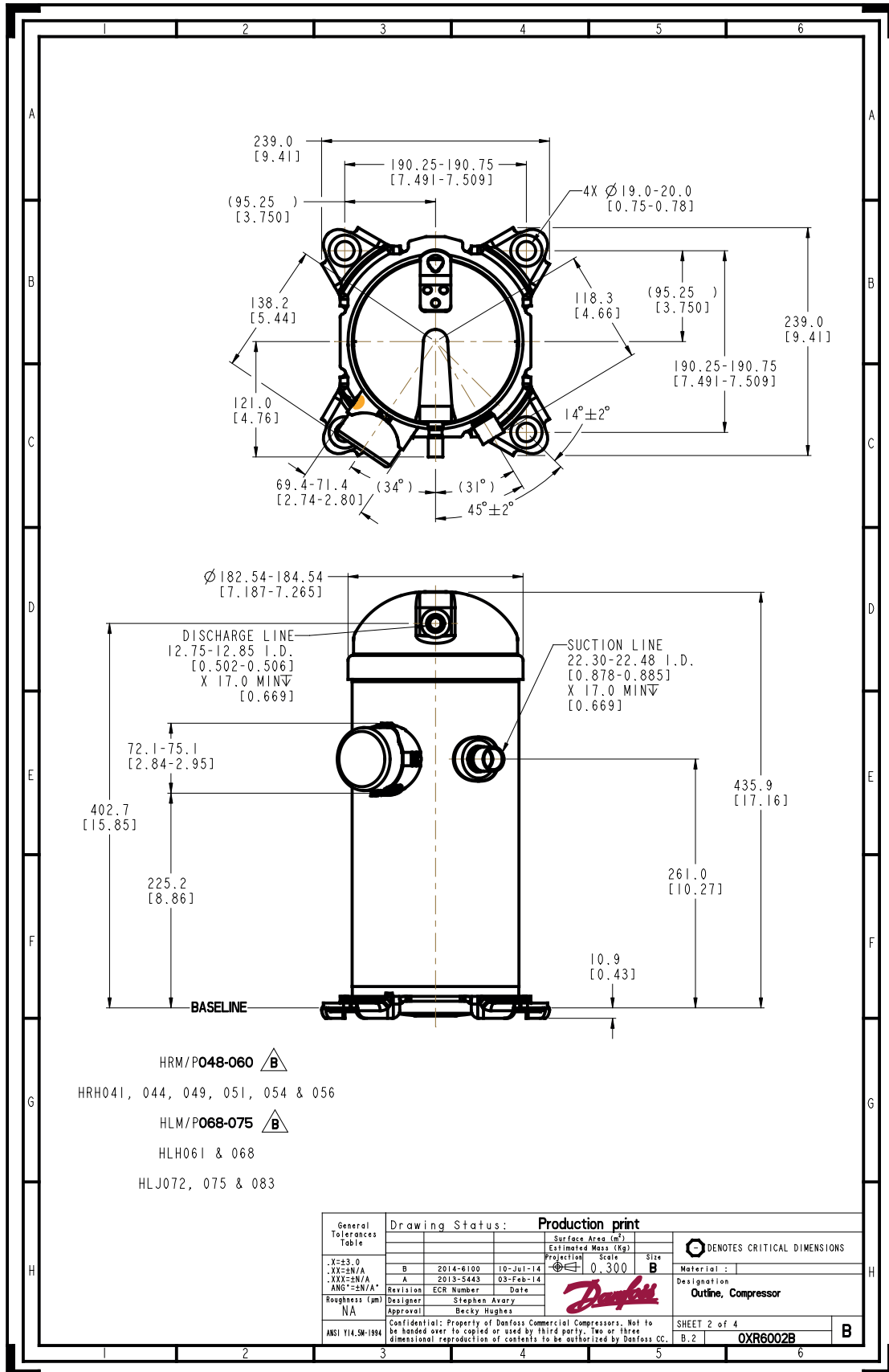
to: Evaporating temperature at dew point

tc: Condensing temperature at dew point

Rating conditions : Superheat = 11.1 K , Subcooling = 8.3 K

All performance data +/- 5%

Danfoss can accept no responsibility for possible errors in catalogues, brochures and other printed material. Danfoss reserves the right to alter its products without notice. This also applies to products already on order provided that such alternations can be made without subsequential changes being necessary in specifications already agreed. All trademarks in this material are property of the respective companies. Danfoss and the Danfoss logotype are trademarks of Danfoss A/S. All rights reserved.

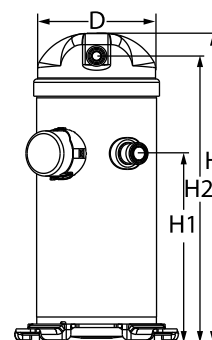


Danfoss can accept no responsibility for possible errors in catalogues, brochures and other printed material. Danfoss reserves the right to alter its products without notice. This also applies to products already on order provided that such alternations can be made without consequential changes being necessary in specifications already agreed. All trademarks in this material are property of the respective companies. Danfoss, the Danfoss logotype and Maneurop are trademarks of Danfoss A/S. All rights reserved.

General Characteristics

Model number (on compressor nameplate)		HRH044U4LT6
Code number for Singlepack*		121U3113
Code number for Industrial pack**		121U3112
Drawing number		0XR6002B-4
Suction and discharge connections		Rotolock
Suction connection		3/4 " Rotolock
Discharge connection		1/2 " Rotolock
Oil sight glass		None
Oil equalisation connection		None
Oil drain connection		None
LP gauge port		None
IPR valve		Yes
Swept volume		42.61 cm ³ /rev
Displacement @ Nominal speed		7.4 m ³ /h @ 2900 rpm - 8.9 m ³ /h @ 3500 rpm
Net weight		37.19 kg
Oil charge		1.57 litre, PVE --
Maximum system test pressure Low Side / High side		- bar(g) / - bar(g)
Maximum differential test pressure		- bar
Maximum number of starts per hour		-
Refrigerant charge limit		5.44 kg
Approved refrigerants		R410A

Dimensions

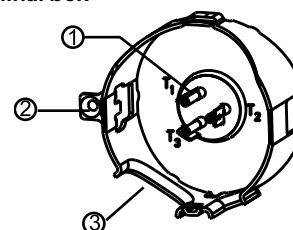


D=183.5 mm
H=455 mm
H1=280 mm
H2=422 mm
H3=- mm

Electrical Characteristics

Nominal voltage	380-415V/3/50Hz - 460V/3/60Hz
Voltage range	342-457 V @ 50Hz - 414-506 V @ 60Hz
Winding resistance between phases 1-2 +/- 7% at 25°C	2.600 Ω
Winding resistance between phases 1-3 +/- 7% at 25°C	2.610 Ω
Winding resistance between phases 2-3 +/- 7% at 25°C	2.650 Ω
Rated Load Amps (RLA)	8.6 A
Maximum Continuous Current (MCC)	13.5 A
Locked Rotor Amps (LRA)	60 A
Motor protection	Internal overload protector

Terminal box



IP22

- 1: Spade connectors 1/4"
- 2: Earth connection
- 3: Power cable passage

Recommended Installation torques

Oil sight glass	52.5 Nm
Power connections / Earth connection	0 Nm / 0 Nm

Parts shipped with compressor

Mounting kit with grommets and sleeves
Initial oil charge
Installation instructions

Approvals : CE certified, UL certified (file SA11565), -

*Singlepack: Compressor in cardboard box

**Industrial pack: 12 or 16 Unboxed compressors on pallet

Rotolock accessories, suction side **Code no.**

Rotolock accessories, discharge side **Code no.**

Rotolock accessories, sets **Code no.**

Oil / lubricants **Code no.**

PVE lubricant, 320HV (FVC68D), 1 litre can	120Z5034
--	----------

Crankcase heaters **Code no.**

Belt type crankcase heater, 50 W, 230 V, CE mark, UL	120Z0057
Belt type crankcase heater, 50 W, 400 V, CE mark, UL	120Z0058

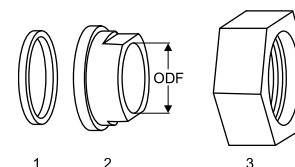
Miscellaneous accessories **Code no.**

Acoustic hood	120Z5044
Discharge thermostat kit	7750009
IP54 upgrade kit	118U0056

Spare parts **Code no.**

Mounting kit for 1 scroll compressor including 4 grommets, 4 sleeves, 4 bolts, 4 washers	120Z5005
Mounting kit, including 1 bolt, 1 sleeve, 1 washer	120Z5031
No translation for 120Z5015	120Z5015

Gaskets, sleeves and nuts



- 1: Gasket
- 2: Solder sleeve
- 3: Rotolock nut

Performance data at 50 Hz, EN 12900 rating conditions

R410A

Cond. temp. in °C (tc)	Evaporating temperature in °C (to)							
	-25	-20	-15	-10	-5	0	5	10

Cooling capacity in W

30	3 832	4 829	5 945	7 242	8 780	10 621	12 826	15 456	-
35	3 415	4 466	5 585	6 830	8 264	9 946	11 938	14 301	-
40	-	3 987	5 146	6 381	7 751	9 316	11 137	13 274	-
45	-	-	4 591	5 853	7 198	8 686	10 376	12 329	-
50	-	-	-	5 206	6 564	8 013	9 612	11 419	-
55	-	-	-	-	5 806	7 251	8 795	10 494	-
60	-	-	-	-	-	6 355	7 873	9 496	-
65	-	-	-	-	-	-	6 780	8 347	-

Power input in W

30	1 965	1 985	2 000	2 006	2 000	1 975	1 928	1 854	-
35	2 229	2 251	2 271	2 283	2 285	2 271	2 237	2 179	-
40	-	2 577	2 598	2 615	2 623	2 618	2 594	2 549	-
45	-	-	2 988	3 006	3 018	3 018	3 004	2 969	-
50	-	-	-	3 462	3 475	3 479	3 470	3 443	-
55	-	-	-	-	3 999	4 004	3 998	3 977	-
60	-	-	-	-	-	4 599	4 594	4 576	-
65	-	-	-	-	-	-	5 262	5 245	-

Current consumption in A

30	3.78	3.79	3.83	3.87	3.87	3.80	3.63	3.32	-
35	3.97	4.01	4.09	4.16	4.21	4.19	4.08	3.83	-
40	-	4.29	4.38	4.48	4.55	4.56	4.48	4.28	-
45	-	-	4.75	4.85	4.93	4.95	4.89	4.71	-
50	-	-	-	5.31	5.38	5.40	5.33	5.16	-
55	-	-	-	-	5.94	5.93	5.85	5.66	-
60	-	-	-	-	-	6.60	6.48	6.25	-
65	-	-	-	-	-	-	7.25	6.98	-

Mass flow in kg/h

30	80	99	121	145	174	208	250	300	-
35	75	97	119	144	172	205	243	289	-
40	-	91	116	142	170	202	239	282	-
45	-	-	110	138	167	200	236	276	-
50	-	-	-	131	163	196	232	273	-
55	-	-	-	-	155	191	228	269	-
60	-	-	-	-	-	182	222	264	-
65	-	-	-	-	-	-	213	257	-

Coefficient of performance (C.O.P.)

30	1.95	2.43	2.97	3.61	4.39	5.38	6.65	8.34	-
35	1.53	1.98	2.46	2.99	3.62	4.38	5.34	6.56	-
40	-	1.55	1.98	2.44	2.96	3.56	4.29	5.21	-
45	-	-	1.54	1.95	2.39	2.88	3.45	4.15	-
50	-	-	-	1.50	1.89	2.30	2.77	3.32	-
55	-	-	-	-	1.45	1.81	2.20	2.64	-
60	-	-	-	-	-	1.38	1.71	2.08	-
65	-	-	-	-	-	-	1.29	1.59	-

Nominal performance at to = 5 °C, tc = 50 °C

Cooling capacity	9 612	W
Power input	3 470	W
Current consumption	5.33	A
Mass flow	232	kg/h
C.O.P.	2.77	

Pressure switch settings

Maximum HP switch setting	45	bar(g)
Minimum LP switch setting	1.5	bar(g)
LP pump down setting	2.3	bar(g)

Sound power data

Sound power level	67	dB(A)
With acoustic hood	62	dB(A)

to: Evaporating temperature at dew point

tc: Condensing temperature at dew point

Rating conditions : Superheat = 10 K , Subcooling = 0 K

All performance data +/- 5%

Danfoss can accept no responsibility for possible errors in catalogues, brochures and other printed material. Danfoss reserves the right to alter its products without notice. This also applies to products already on order provided that such alternations can be made without subsequential changes being necessary in specifications already agreed. All trademarks in this material are property of the respective companies. Danfoss and the Danfoss logotype are trademarks of Danfoss A/S. All rights reserved.

Performance data at 50 Hz, ARI rating conditions

R410A

Cond. temp. in °C (tc)	Evaporating temperature in °C (to)							
	-25	-20	-15	-10	-5	0	5	10

Cooling capacity in W

30	4 138	5 209	6 407	7 798	9 445	11 416	13 774	16 586	-
35	-	4 849	6 056	7 399	8 943	10 754	12 896	15 435	-
40	-	-	5 623	6 963	8 448	10 143	12 114	14 425	-
45	-	-	5 062	6 445	7 916	9 540	11 384	13 511	-
50	-	-	-	5 798	7 300	8 898	10 660	12 649	-
55	-	-	-	-	6 556	8 174	9 897	11 793	-
60	-	-	-	-	-	7 320	9 051	10 897	-
65	-	-	-	-	-	-	8 076	9 918	-

Power input in W

30	1 965	1 985	2 000	2 006	2 000	1 975	1 928	1 854	-
35	-	2 251	2 271	2 283	2 285	2 271	2 237	2 179	-
40	-	-	2 598	2 615	2 623	2 618	2 594	2 549	-
45	-	-	2 988	3 006	3 018	3 018	3 004	2 969	-
50	-	-	-	3 462	3 475	3 479	3 470	3 443	-
55	-	-	-	-	3 999	4 004	3 998	3 977	-
60	-	-	-	-	-	4 599	4 594	4 576	-
65	-	-	-	-	-	-	5 262	5 245	-

Current consumption in A

30	3.78	3.79	3.83	3.87	3.87	3.80	3.63	3.32	-
35	-	4.01	4.09	4.16	4.21	4.19	4.08	3.83	-
40	-	-	4.38	4.48	4.55	4.56	4.48	4.28	-
45	-	-	4.75	4.85	4.93	4.95	4.89	4.71	-
50	-	-	-	5.31	5.38	5.40	5.33	5.16	-
55	-	-	-	-	5.94	5.93	5.85	5.66	-
60	-	-	-	-	-	6.60	6.48	6.25	-
65	-	-	-	-	-	-	7.25	6.98	-

Mass flow in kg/h

30	80	99	120	144	173	207	248	298	-
35	-	96	119	143	171	203	242	287	-
40	-	-	115	141	169	201	237	279	-
45	-	-	109	137	166	198	234	274	-
50	-	-	-	130	162	195	231	271	-
55	-	-	-	-	154	190	227	267	-
60	-	-	-	-	-	181	221	262	-
65	-	-	-	-	-	-	212	255	-

Coefficient of performance (C.O.P.)

30	2.11	2.62	3.20	3.89	4.72	5.78	7.15	8.95	-
35	-	2.15	2.67	3.24	3.91	4.73	5.76	7.08	-
40	-	-	2.16	2.66	3.22	3.88	4.67	5.66	-
45	-	-	1.69	2.14	2.62	3.16	3.79	4.55	-
50	-	-	-	1.67	2.10	2.56	3.07	3.67	-
55	-	-	-	-	1.64	2.04	2.48	2.96	-
60	-	-	-	-	-	1.59	1.97	2.38	-
65	-	-	-	-	-	-	1.53	1.89	-

Nominal performance at to = 7.2 °C, tc = 54.4 °C

Cooling capacity	10 804	W
Power input	3 924	W
Current consumption	5.72	A
Mass flow	245	kg/h
C.O.P.	2.75	

Pressure switch settings

Maximum HP switch setting	45	bar(g)
Minimum LP switch setting	1.5	bar(g)
LP pump down setting	2.3	bar(g)

Sound power data

Sound power level	67	dB(A)
With acoustic hood	62	dB(A)

to: Evaporating temperature at dew point

tc: Condensing temperature at dew point

Rating conditions : Superheat = 11.1 K , Subcooling = 8.3 K

All performance data +/- 5%

Danfoss can accept no responsibility for possible errors in catalogues, brochures and other printed material. Danfoss reserves the right to alter its products without notice. This also applies to products already on order provided that such alternations can be made without subsequential changes being necessary in specifications already agreed. All trademarks in this material are property of the respective companies. Danfoss and the Danfoss logotype are trademarks of Danfoss A/S. All rights reserved.

Performance data at 60 Hz, EN 12900 rating conditions

R410A

Cond. temp. in °C (tc)	Evaporating temperature in °C (to)							
	-25	-20	-15	-10	-5	0	5	10

Cooling capacity in W

30	4 605	5 804	7 145	8 704	10 553	12 765	15 415	18 576	-
35	4 105	5 369	6 713	8 210	9 934	11 956	14 350	17 191	-
40	-	4 794	6 188	7 672	9 319	11 201	13 390	15 960	-
45	-	-	5 521	7 039	8 657	10 446	12 479	14 827	-
50	-	-	-	6 262	7 896	9 639	11 562	13 737	-
55	-	-	-	-	6 987	8 726	10 583	12 628	-
60	-	-	-	-	-	7 649	9 476	11 430	-
65	-	-	-	-	-	-	8 163	10 049	-

Power input in W

30	2 402	2 432	2 452	2 458	2 448	2 417	2 362	2 280	-
35	2 668	2 704	2 732	2 748	2 749	2 731	2 692	2 627	-
40	-	3 022	3 054	3 077	3 086	3 079	3 052	3 002	-
45	-	-	3 425	3 452	3 467	3 467	3 449	3 410	-
50	-	-	-	3 878	3 896	3 901	3 889	3 858	-
55	-	-	-	-	4 380	4 386	4 378	4 352	-
60	-	-	-	-	-	4 930	4 922	4 898	-
65	-	-	-	-	-	-	5 527	5 503	-

Current consumption in A

30	4.61	4.64	4.68	4.71	4.76	4.81	4.88	4.97	-
35	4.85	4.89	4.93	4.97	5.01	5.06	5.11	5.18	-
40	-	5.17	5.22	5.27	5.31	5.35	5.40	5.46	-
45	-	-	5.55	5.61	5.65	5.70	5.74	5.79	-
50	-	-	-	5.99	6.05	6.11	6.15	6.20	-
55	-	-	-	-	6.51	6.58	6.63	6.69	-
60	-	-	-	-	-	7.11	7.19	7.25	-
65	-	-	-	-	-	-	7.82	7.89	-

Mass flow in kg/h

30	96	119	145	174	209	251	300	360	-
35	90	116	143	173	207	246	292	347	-
40	-	110	139	171	205	243	287	338	-
45	-	-	132	166	201	240	283	332	-
50	-	-	-	157	196	236	280	328	-
55	-	-	-	-	187	230	275	324	-
60	-	-	-	-	-	219	268	318	-
65	-	-	-	-	-	-	256	310	-

Coefficient of performance (C.O.P.)

30	1.92	2.39	2.91	3.54	4.31	5.28	6.53	8.15	-
35	1.54	1.99	2.46	2.99	3.61	4.38	5.33	6.54	-
40	-	1.59	2.03	2.49	3.02	3.64	4.39	5.32	-
45	-	-	1.61	2.04	2.50	3.01	3.62	4.35	-
50	-	-	-	1.61	2.03	2.47	2.97	3.56	-
55	-	-	-	-	1.60	1.99	2.42	2.90	-
60	-	-	-	-	-	1.55	1.93	2.33	-
65	-	-	-	-	-	-	1.48	1.83	-

Nominal performance at to = 5 °C, tc = 50 °C

Cooling capacity	11 562	W
Power input	3 889	W
Current consumption	6.15	A
Mass flow	280	kg/h
C.O.P.	2.97	

Pressure switch settings

Maximum HP switch setting	45	bar(g)
Minimum LP switch setting	1.5	bar(g)
LP pump down setting	2.3	bar(g)

Sound power data

Sound power level	70	dB(A)
With acoustic hood	65	dB(A)

to: Evaporating temperature at dew point

tc: Condensing temperature at dew point

Rating conditions : Superheat = 10 K , Subcooling = 0 K

All performance data +/- 5%

Danfoss can accept no responsibility for possible errors in catalogues, brochures and other printed material. Danfoss reserves the right to alter its products without notice. This also applies to products already on order provided that such alternations can be made without subsequential changes being necessary in specifications already agreed. All trademarks in this material are property of the respective companies. Danfoss and the Danfoss logotype are trademarks of Danfoss A/S. All rights reserved.

Performance data at 60 Hz, ARI rating conditions
R410A

Cond. temp. in °C (tc)	Evaporating temperature in °C (to)							
	-25	-20	-15	-10	-5	0	5	10

Cooling capacity in W

30	4 973	6 261	7 701	9 371	11 352	13 720	16 554	19 933	-
35	-	5 829	7 280	8 894	10 750	12 926	15 501	18 553	-
40	-	-	6 760	8 372	10 157	12 196	14 565	17 343	-
45	-	-	6 088	7 750	9 519	11 473	13 690	16 249	-
50	-	-	-	6 975	8 781	10 704	12 823	15 216	-
55	-	-	-	-	7 889	9 835	11 909	14 190	-
60	-	-	-	-	-	8 811	10 894	13 116	-
65	-	-	-	-	-	-	9 723	11 941	-

Power input in W

30	2 402	2 432	2 452	2 458	2 448	2 417	2 362	2 280	-
35	-	2 704	2 732	2 748	2 749	2 731	2 692	2 627	-
40	-	-	3 054	3 077	3 086	3 079	3 052	3 002	-
45	-	-	3 425	3 452	3 467	3 467	3 449	3 410	-
50	-	-	-	3 878	3 896	3 901	3 889	3 858	-
55	-	-	-	-	4 380	4 386	4 378	4 352	-
60	-	-	-	-	-	4 930	4 922	4 898	-
65	-	-	-	-	-	-	5 527	5 503	-

Current consumption in A

30	4.61	4.64	4.68	4.71	4.76	4.81	4.88	4.97	-
35	-	4.89	4.93	4.97	5.01	5.06	5.11	5.18	-
40	-	-	5.22	5.27	5.31	5.35	5.40	5.46	-
45	-	-	5.55	5.61	5.65	5.70	5.74	5.79	-
50	-	-	-	5.99	6.05	6.11	6.15	6.20	-
55	-	-	-	-	6.51	6.58	6.63	6.69	-
60	-	-	-	-	-	7.11	7.19	7.25	-
65	-	-	-	-	-	-	7.82	7.89	-

Mass flow in kg/h

30	96	119	144	173	208	249	298	358	-
35	-	116	142	172	205	244	290	345	-
40	-	-	139	170	203	241	285	336	-
45	-	-	131	165	200	238	281	330	-
50	-	-	-	156	195	235	278	326	-
55	-	-	-	-	185	228	273	321	-
60	-	-	-	-	-	218	266	316	-
65	-	-	-	-	-	-	255	308	-

Coefficient of performance (C.O.P.)

30	2.07	2.57	3.14	3.81	4.64	5.68	7.01	8.74	-
35	-	2.16	2.66	3.24	3.91	4.73	5.76	7.06	-
40	-	-	2.21	2.72	3.29	3.96	4.77	5.78	-
45	-	-	1.78	2.25	2.75	3.31	3.97	4.77	-
50	-	-	-	1.80	2.25	2.74	3.30	3.94	-
55	-	-	-	-	1.80	2.24	2.72	3.26	-
60	-	-	-	-	-	1.79	2.21	2.68	-
65	-	-	-	-	-	-	1.76	2.17	-

Nominal performance at to = 7.2 °C, tc = 54.4 °C

Cooling capacity	13 000	W
Power input	4 308	W
Current consumption	6.60	A
Mass flow	294	kg/h
C.O.P.	3.02	

Pressure switch settings

Maximum HP switch setting	45	bar(g)
Minimum LP switch setting	1.5	bar(g)
LP pump down setting	2.3	bar(g)

Sound power data

Sound power level	70	dB(A)
With acoustic hood	65	dB(A)

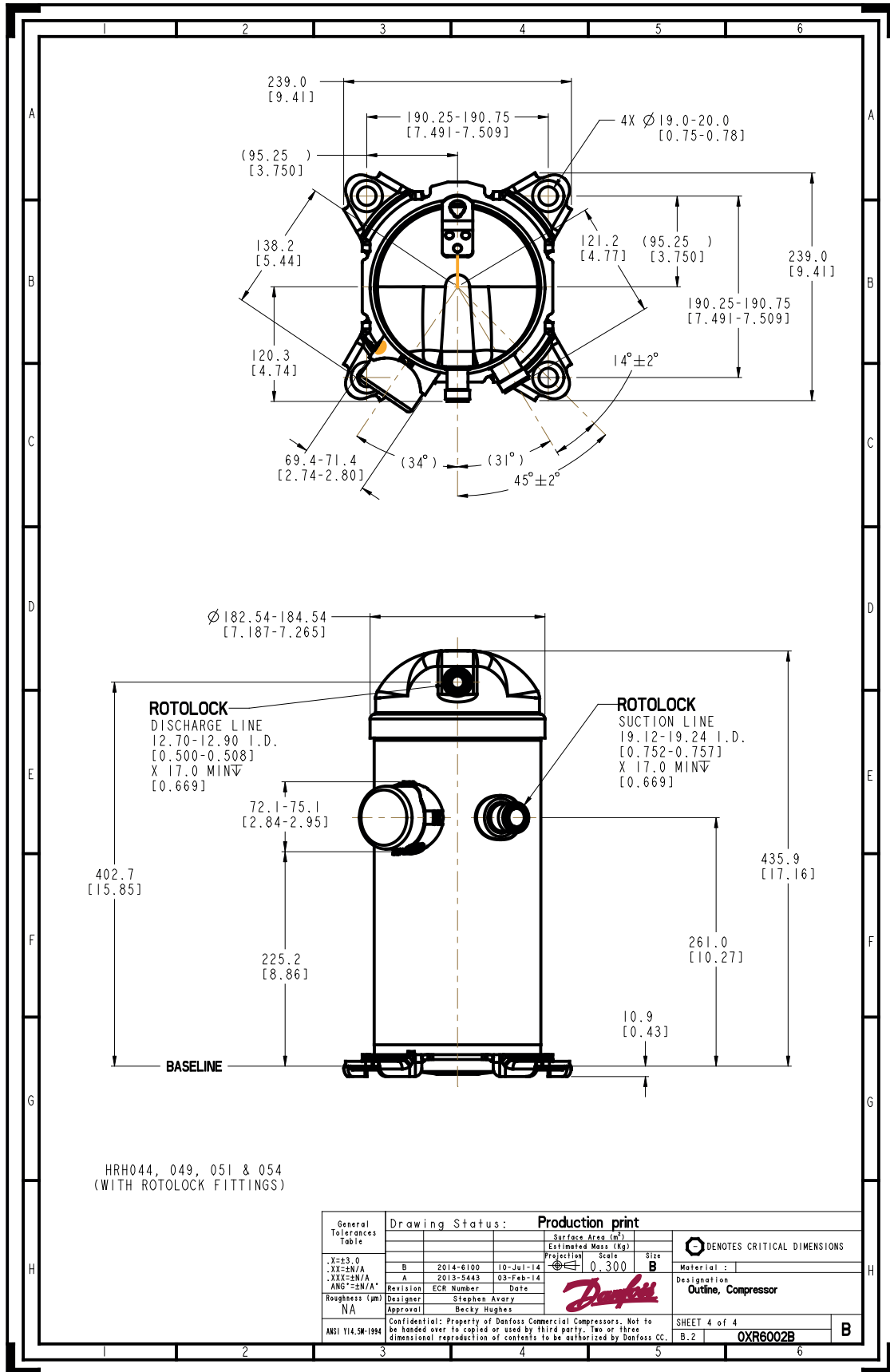
to: Evaporating temperature at dew point

tc: Condensing temperature at dew point

Rating conditions : Superheat = 11.1 K , Subcooling = 8.3 K

All performance data +/- 5%

Danfoss can accept no responsibility for possible errors in catalogues, brochures and other printed material. Danfoss reserves the right to alter its products without notice. This also applies to products already on order provided that such alternations can be made without subsequential changes being necessary in specifications already agreed. All trademarks in this material are property of the respective companies. Danfoss and the Danfoss logotype are trademarks of Danfoss A/S. All rights reserved.



Danfoss can accept no responsibility for possible errors in catalogues, brochures and other printed material. Danfoss reserves the right to alter its products without notice. This also applies to products already on order provided that such alternations can be made without consequential changes being necessary in specifications already agreed. All trademarks in this material are property of the respective companies. Danfoss, the Danfoss logotype and Maneurop are trademarks of Danfoss A/S. All rights reserved.