

Datasheets

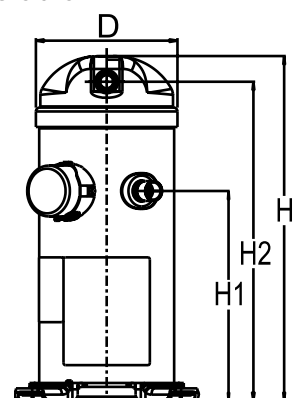
Danfoss scroll compressors **H series**



General Characteristics

Model number (on compressor nameplate)		HRH051U4LP6
Code number for Singlepack*		120U1371
Code number for Industrial pack**		120U1368
Drawing number		0XR6002B-2
Suction and discharge connections		Brazed
Suction connection		7/8 " ODF
Discharge connection		1/2 " ODF
Oil sight glass		None
Oil equalisation connection		None
Oil drain connection		None
LP gauge port		None
IPR valve		Yes
Swept volume		49.32 cm ³ /rev
Displacement @ Nominal speed		8.6 m ³ /h @ 2900 rpm - 10.4 m ³ /h @ 3500 rpm
Net weight		37.19 kg
Oil charge		1.57 litre, PVE --
Maximum system test pressure Low Side / High side		- bar(g) / - bar(g)
Maximum differential test pressure		- bar
Maximum number of starts per hour		-
Refrigerant charge limit		5.44 kg
Approved refrigerants		R410A

Dimensions

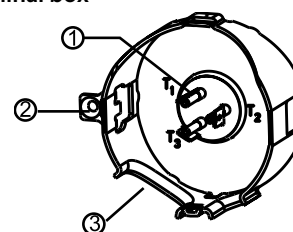


D=183.5 mm
H=455 mm
H1=280 mm
H2=422 mm
H3=- mm

Electrical Characteristics

Nominal voltage	380-415V/3/50Hz - 460V/3/60Hz
Voltage range	342-457 V @ 50Hz - 414-506 V @ 60Hz
Winding resistance between phases 1-2 +/- 7% at 25°C	2.316 Ω
Winding resistance between phases 1-3 +/- 7% at 25°C	2.330 Ω
Winding resistance between phases 2-3 +/- 7% at 25°C	2.360 Ω
Rated Load Amps (RLA)	8.3 A
Maximum Continuous Current (MCC)	13 A
Locked Rotor Amps (LRA)	70 A
Motor protection	Internal overload protector

Terminal box



IP22

- 1: Spade connectors 1/4"
- 2: Earth connection
- 3: Power cable passage

Recommended Installation torques

Oil sight glass	52.5 Nm
Power connections / Earth connection	0 Nm / 0 Nm

Parts shipped with compressor

Mounting kit with grommets and sleeves
Initial oil charge
Installation instructions

Approvals : CE certified, UL certified (file SA11565), -

*Singlepack: Compressor in cardboard box

**Industrial pack: 12 or 16 Unboxed compressors on pallet

Rotolock accessories, suction side

Code no.

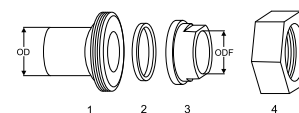
Rotolock valve, V05 (1-1/4" Rotolock, 7/8" ODF)	8168030
Gasket, 1-1/4"	8156131

Rotolock accessories, discharge side

Code no.

Solder sleeve, P06 (1" Rotolock, 1/2" ODF)	8153007
Angle adapter, C06 (1" Rotolock, 1/2" ODF)	8168007
Rotolock valve, V06 (1" Rotolock, 1/2" ODF)	8168031
Gasket, 1"	8156130

Solder sleeve adapter set



- 1: Rotolock adapter (Suc & Dis)
- 2: Gasket (Suc & Dis)
- 3: Solder sleeve (Suc & Dis)
- 4: Rotolock nut (Suc & Dis)

Rotolock accessories, sets

Code no.

Solder sleeve adapter set (1-1/4" Rotolock, 7/8" ODF), (1" Rotolock, 1/2" ODF)	120Z0127
Gasket set, 1", 1-1/4", 1-3/4", OSG gaskets black & white	8156009

Oil / lubricants

Code no.

PVE lubricant, 320HV (FVC68D), 1 litre can	120Z5034
--	----------

Crankcase heaters

Code no.

Belt type crankcase heater, 50 W, 230 V, CE mark, UL	120Z0057
Belt type crankcase heater, 50 W, 400 V, CE mark, UL	120Z0058

Miscellaneous accessories

Code no.

Acoustic hood	120Z5044
Discharge thermostat kit	7750009
IP54 upgrade kit	118U0056

Spare parts

Code no.

Mounting kit for 1 scroll compressor including 4 grommets, 4 sleeves, 4 bolts, 4 washers	120Z5005
Mounting kit, including 1 bolt, 1 sleeve, 1 washer	120Z5031
No translation for 120Z5015	120Z5015

Performance data at 50 Hz, EN 12900 rating conditions

R410A

Cond. temp. in °C (tc)	Evaporating temperature in °C (to)							
	-25	-20	-15	-10	-5	0	5	10

Cooling capacity in W

30	4 513	5 686	7 001	8 528	10 339	12 507	15 101	18 196	-
35	4 030	5 268	6 586	8 055	9 746	11 730	14 079	16 863	-
40	-	4 713	6 081	7 539	9 158	11 008	13 160	15 684	-
45	-	-	5 438	6 931	8 524	10 287	12 289	14 601	-
50	-	-	-	6 181	7 792	9 512	11 411	13 557	-
55	-	-	-	-	6 910	8 629	10 467	12 490	-
60	-	-	-	-	-	7 580	9 392	11 330	-
65	-	-	-	-	-	-	8 106	9 982	-

Power input in W

30	2 297	2 325	2 344	2 350	2 340	2 311	2 258	2 178	-
35	2 563	2 596	2 622	2 637	2 638	2 621	2 583	2 520	-
40	-	2 916	2 946	2 967	2 976	2 969	2 943	2 894	-
45	-	-	3 322	3 346	3 361	3 361	3 344	3 306	-
50	-	-	-	3 781	3 797	3 802	3 791	3 761	-
55	-	-	-	-	4 292	4 298	4 290	4 265	-
60	-	-	-	-	-	4 854	4 847	4 825	-
65	-	-	-	-	-	-	5 469	5 446	-

Current consumption in A

30	4.03	4.04	4.09	4.13	4.13	4.06	3.87	3.54	-
35	4.24	4.28	4.36	4.44	4.49	4.47	4.35	4.08	-
40	-	4.57	4.67	4.77	4.85	4.87	4.78	4.56	-
45	-	-	5.06	5.17	5.25	5.28	5.21	5.02	-
50	-	-	-	5.66	5.73	5.75	5.69	5.50	-
55	-	-	-	-	6.33	6.33	6.24	6.03	-
60	-	-	-	-	-	7.04	6.91	6.67	-
65	-	-	-	-	-	-	7.74	7.44	-

Mass flow in kg/h

30	94	117	142	171	205	245	294	353	-
35	89	114	141	170	203	241	287	341	-
40	-	108	137	168	201	239	282	333	-
45	-	-	130	163	198	236	279	327	-
50	-	-	-	155	193	233	276	324	-
55	-	-	-	-	184	227	272	320	-
60	-	-	-	-	-	217	265	315	-
65	-	-	-	-	-	-	255	308	-

Coefficient of performance (C.O.P.)

30	1.96	2.45	2.99	3.63	4.42	5.41	6.69	8.35	-
35	1.57	2.03	2.51	3.05	3.69	4.47	5.45	6.69	-
40	-	1.62	2.06	2.54	3.08	3.71	4.47	5.42	-
45	-	-	1.64	2.07	2.54	3.06	3.68	4.42	-
50	-	-	-	1.63	2.05	2.50	3.01	3.60	-
55	-	-	-	-	1.61	2.01	2.44	2.93	-
60	-	-	-	-	-	1.56	1.94	2.35	-
65	-	-	-	-	-	-	1.48	1.83	-

Nominal performance at to = 5 °C, tc = 50 °C

Cooling capacity	11 411	W
Power input	3 791	W
Current consumption	5.69	A
Mass flow	276	kg/h
C.O.P.	3.01	

Pressure switch settings

Maximum HP switch setting	45	bar(g)
Minimum LP switch setting	1.5	bar(g)
LP pump down setting	2.3	bar(g)

Sound power data

Sound power level	67	dB(A)
With acoustic hood	62	dB(A)

to: Evaporating temperature at dew point

tc: Condensing temperature at dew point

Rating conditions : Superheat = 10 K , Subcooling = 0 K

All performance data +/- 5%

Danfoss can accept no responsibility for possible errors in catalogues, brochures and other printed material. Danfoss reserves the right to alter its products without notice. This also applies to products already on order provided that such alternations can be made without subsequential changes being necessary in specifications already agreed. All trademarks in this material are property of the respective companies. Danfoss and the Danfoss logotype are trademarks of Danfoss A/S. All rights reserved.

Performance data at 50 Hz, ARI rating conditions
R410A

Cond. temp. in °C (tc)	Evaporating temperature in °C (to)							
	-25	-20	-15	-10	-5	0	5	10

Cooling capacity in W

30	4 874	6 134	7 545	9 182	11 122	13 442	16 218	19 526	-
35	-	5 719	7 142	8 725	10 547	12 682	15 208	18 200	-
40	-	-	6 644	8 227	9 982	11 986	14 314	17 043	-
45	-	-	5 997	7 632	9 374	11 298	13 482	16 001	-
50	-	-	-	6 884	8 665	10 563	12 655	15 017	-
55	-	-	-	-	7 802	9 726	11 779	14 036	-
60	-	-	-	-	-	8 731	10 797	13 002	-
65	-	-	-	-	-	-	9 656	11 861	-

Power input in W

30	2 297	2 325	2 344	2 350	2 340	2 311	2 258	2 178	-
35	-	2 596	2 622	2 637	2 638	2 621	2 583	2 520	-
40	-	-	2 946	2 967	2 976	2 969	2 943	2 894	-
45	-	-	3 322	3 346	3 361	3 361	3 344	3 306	-
50	-	-	-	3 781	3 797	3 802	3 791	3 761	-
55	-	-	-	-	4 292	4 298	4 290	4 265	-
60	-	-	-	-	-	4 854	4 847	4 825	-
65	-	-	-	-	-	-	5 469	5 446	-

Current consumption in A

30	4.03	4.04	4.09	4.13	4.13	4.06	3.87	3.54	-
35	-	4.28	4.36	4.44	4.49	4.47	4.35	4.08	-
40	-	-	4.67	4.77	4.85	4.87	4.78	4.56	-
45	-	-	5.06	5.17	5.25	5.28	5.21	5.02	-
50	-	-	-	5.66	5.73	5.75	5.69	5.50	-
55	-	-	-	-	6.33	6.33	6.24	6.03	-
60	-	-	-	-	-	7.04	6.91	6.67	-
65	-	-	-	-	-	-	7.74	7.44	-

Mass flow in kg/h

30	94	116	141	170	203	244	292	350	-
35	-	113	140	169	201	240	285	338	-
40	-	-	136	167	200	237	280	330	-
45	-	-	129	162	197	235	277	325	-
50	-	-	-	154	192	231	274	321	-
55	-	-	-	-	183	226	270	318	-
60	-	-	-	-	-	216	263	313	-
65	-	-	-	-	-	-	253	306	-

Coefficient of performance (C.O.P.)

30	2.12	2.64	3.22	3.91	4.75	5.82	7.18	8.96	-
35	-	2.20	2.72	3.31	4.00	4.84	5.89	7.22	-
40	-	-	2.26	2.77	3.35	4.04	4.86	5.89	-
45	-	-	1.81	2.28	2.79	3.36	4.03	4.84	-
50	-	-	-	1.82	2.28	2.78	3.34	3.99	-
55	-	-	-	-	1.82	2.26	2.75	3.29	-
60	-	-	-	-	-	1.80	2.23	2.69	-
65	-	-	-	-	-	-	1.77	2.18	-

Nominal performance at to = 7.2 °C, tc = 54.4 °C

Cooling capacity	12 855	W
Power input	4 219	W
Current consumption	6.10	A
Mass flow	291	kg/h
C.O.P.	3.05	

Pressure switch settings

Maximum HP switch setting	45	bar(g)
Minimum LP switch setting	1.5	bar(g)
LP pump down setting	2.3	bar(g)

Sound power data

Sound power level	67	dB(A)
With acoustic hood	62	dB(A)

to: Evaporating temperature at dew point

tc: Condensing temperature at dew point

Rating conditions : Superheat = 11.1 K , Subcooling = 8.3 K

All performance data +/- 5%

Danfoss can accept no responsibility for possible errors in catalogues, brochures and other printed material. Danfoss reserves the right to alter its products without notice. This also applies to products already on order provided that such alternations can be made without subsequential changes being necessary in specifications already agreed. All trademarks in this material are property of the respective companies. Danfoss and the Danfoss logotype are trademarks of Danfoss A/S. All rights reserved.

Performance data at 60 Hz, EN 12900 rating conditions

R410A

Cond. temp. in °C (tc)	Evaporating temperature in °C (to)							
	-25	-20	-15	-10	-5	0	5	10

Cooling capacity in W

30	5 371	6 768	8 334	10 151	12 307	14 887	17 978	21 664	-
35	4 788	6 262	7 830	9 576	11 586	13 945	16 737	20 050	-
40	-	5 591	7 217	8 949	10 870	13 065	15 618	18 615	-
45	-	-	6 440	8 211	10 098	12 185	14 557	17 296	-
50	-	-	-	7 306	9 211	11 245	13 488	16 025	-
55	-	-	-	-	8 151	10 180	12 347	14 733	-
60	-	-	-	-	-	8 924	11 057	13 336	-
65	-	-	-	-	-	-	9 525	11 726	-

Power input in W

30	2 760	2 795	2 819	2 826	2 813	2 778	2 715	2 623	-
35	3 053	3 096	3 129	3 147	3 148	3 128	3 083	3 010	-
40	-	3 443	3 481	3 508	3 519	3 511	3 480	3 423	-
45	-	-	3 884	3 915	3 932	3 933	3 912	3 868	-
50	-	-	-	4 375	4 396	4 401	4 388	4 353	-
55	-	-	-	-	4 916	4 923	4 914	4 884	-
60	-	-	-	-	-	5 506	5 496	5 469	-
65	-	-	-	-	-	-	6 143	6 114	-

Current consumption in A

30	4.19	4.22	4.25	4.28	4.32	4.37	4.44	4.52	-
35	4.41	4.45	4.49	4.52	4.56	4.60	4.65	4.71	-
40	-	4.70	4.75	4.79	4.83	4.86	4.91	4.96	-
45	-	-	5.04	5.10	5.14	5.18	5.22	5.27	-
50	-	-	-	5.45	5.50	5.55	5.60	5.64	-
55	-	-	-	-	5.92	5.98	6.03	6.08	-
60	-	-	-	-	-	6.47	6.53	6.59	-
65	-	-	-	-	-	-	7.11	7.18	-

Mass flow in kg/h

30	112	139	169	203	244	292	350	420	-
35	105	136	167	202	241	287	341	405	-
40	-	128	163	199	239	283	335	395	-
45	-	-	154	194	235	280	330	388	-
50	-	-	-	184	228	275	326	383	-
55	-	-	-	-	218	268	321	378	-
60	-	-	-	-	-	256	312	371	-
65	-	-	-	-	-	-	299	362	-

Coefficient of performance (C.O.P.)

30	1.95	2.42	2.96	3.59	4.38	5.36	6.62	8.26	-
35	1.57	2.02	2.50	3.04	3.68	4.46	5.43	6.66	-
40	-	1.62	2.07	2.55	3.09	3.72	4.49	5.44	-
45	-	-	1.66	2.10	2.57	3.10	3.72	4.47	-
50	-	-	-	1.67	2.10	2.55	3.07	3.68	-
55	-	-	-	-	1.66	2.07	2.51	3.02	-
60	-	-	-	-	-	1.62	2.01	2.44	-
65	-	-	-	-	-	-	1.55	1.92	-

Nominal performance at to = 5 °C, tc = 50 °C

Cooling capacity	13 488	W
Power input	4 388	W
Current consumption	5.60	A
Mass flow	326	kg/h
C.O.P.	3.07	

Pressure switch settings

Maximum HP switch setting	45	bar(g)
Minimum LP switch setting	1.5	bar(g)
LP pump down setting	2.3	bar(g)

Sound power data

Sound power level	70	dB(A)
With acoustic hood	65	dB(A)

to: Evaporating temperature at dew point

tc: Condensing temperature at dew point

Rating conditions : Superheat = 10 K, Subcooling = 0 K

All performance data +/- 5%

Danfoss can accept no responsibility for possible errors in catalogues, brochures and other printed material. Danfoss reserves the right to alter its products without notice. This also applies to products already on order provided that such alternations can be made without subsequential changes being necessary in specifications already agreed. All trademarks in this material are property of the respective companies. Danfoss and the Danfoss logotype are trademarks of Danfoss A/S. All rights reserved.

Performance data at 60 Hz, ARI rating conditions

R410A

Cond. temp. in °C (tc)	Evaporating temperature in °C (to)							
	-25	-20	-15	-10	-5	0	5	10

Cooling capacity in W

30	5 800	7 302	8 981	10 930	13 239	16 001	19 306	23 247	-
35	-	6 798	8 491	10 373	12 538	15 076	18 079	21 639	-
40	-	-	7 885	9 765	11 848	14 225	16 988	20 229	-
45	-	-	7 101	9 041	11 104	13 383	15 970	18 954	-
50	-	-	-	8 137	10 244	12 488	14 959	17 751	-
55	-	-	-	-	9 204	11 474	13 894	16 555	-
60	-	-	-	-	-	10 280	12 711	15 304	-
65	-	-	-	-	-	-	11 346	13 933	-

Power input in W

30	2 760	2 795	2 819	2 826	2 813	2 778	2 715	2 623	-
35	-	3 096	3 129	3 147	3 148	3 128	3 083	3 010	-
40	-	-	3 481	3 508	3 519	3 511	3 480	3 423	-
45	-	-	3 884	3 915	3 932	3 933	3 912	3 868	-
50	-	-	-	4 375	4 396	4 401	4 388	4 353	-
55	-	-	-	-	4 916	4 923	4 914	4 884	-
60	-	-	-	-	-	5 506	5 496	5 469	-
65	-	-	-	-	-	-	6 143	6 114	-

Current consumption in A

30	4.19	4.22	4.25	4.28	4.32	4.37	4.44	4.52	-
35	-	4.45	4.49	4.52	4.56	4.60	4.65	4.71	-
40	-	-	4.75	4.79	4.83	4.86	4.91	4.96	-
45	-	-	5.04	5.10	5.14	5.18	5.22	5.27	-
50	-	-	-	5.45	5.50	5.55	5.60	5.64	-
55	-	-	-	-	5.92	5.98	6.03	6.08	-
60	-	-	-	-	-	6.47	6.53	6.59	-
65	-	-	-	-	-	-	7.11	7.18	-

Mass flow in kg/h

30	112	138	168	202	242	290	348	417	-
35	-	135	166	200	239	285	339	402	-
40	-	-	162	198	237	281	332	392	-
45	-	-	153	192	233	278	328	385	-
50	-	-	-	183	227	274	324	380	-
55	-	-	-	-	216	266	318	375	-
60	-	-	-	-	-	254	310	368	-
65	-	-	-	-	-	-	297	359	-

Coefficient of performance (C.O.P.)

30	2.10	2.61	3.19	3.87	4.71	5.76	7.11	8.86	-
35	-	2.20	2.71	3.30	3.98	4.82	5.86	7.19	-
40	-	-	2.26	2.78	3.37	4.05	4.88	5.91	-
45	-	-	1.83	2.31	2.82	3.40	4.08	4.90	-
50	-	-	-	1.86	2.33	2.84	3.41	4.08	-
55	-	-	-	-	1.87	2.33	2.83	3.39	-
60	-	-	-	-	-	1.87	2.31	2.80	-
65	-	-	-	-	-	-	1.85	2.28	-

Nominal performance at to = 7.2 °C, tc = 54.4 °C

Cooling capacity	15 167	W
Power input	4 837	W
Current consumption	6.00	A
Mass flow	343	kg/h
C.O.P.	3.14	

Pressure switch settings

Maximum HP switch setting	45	bar(g)
Minimum LP switch setting	1.5	bar(g)
LP pump down setting	2.3	bar(g)

Sound power data

Sound power level	70	dB(A)
With acoustic hood	65	dB(A)

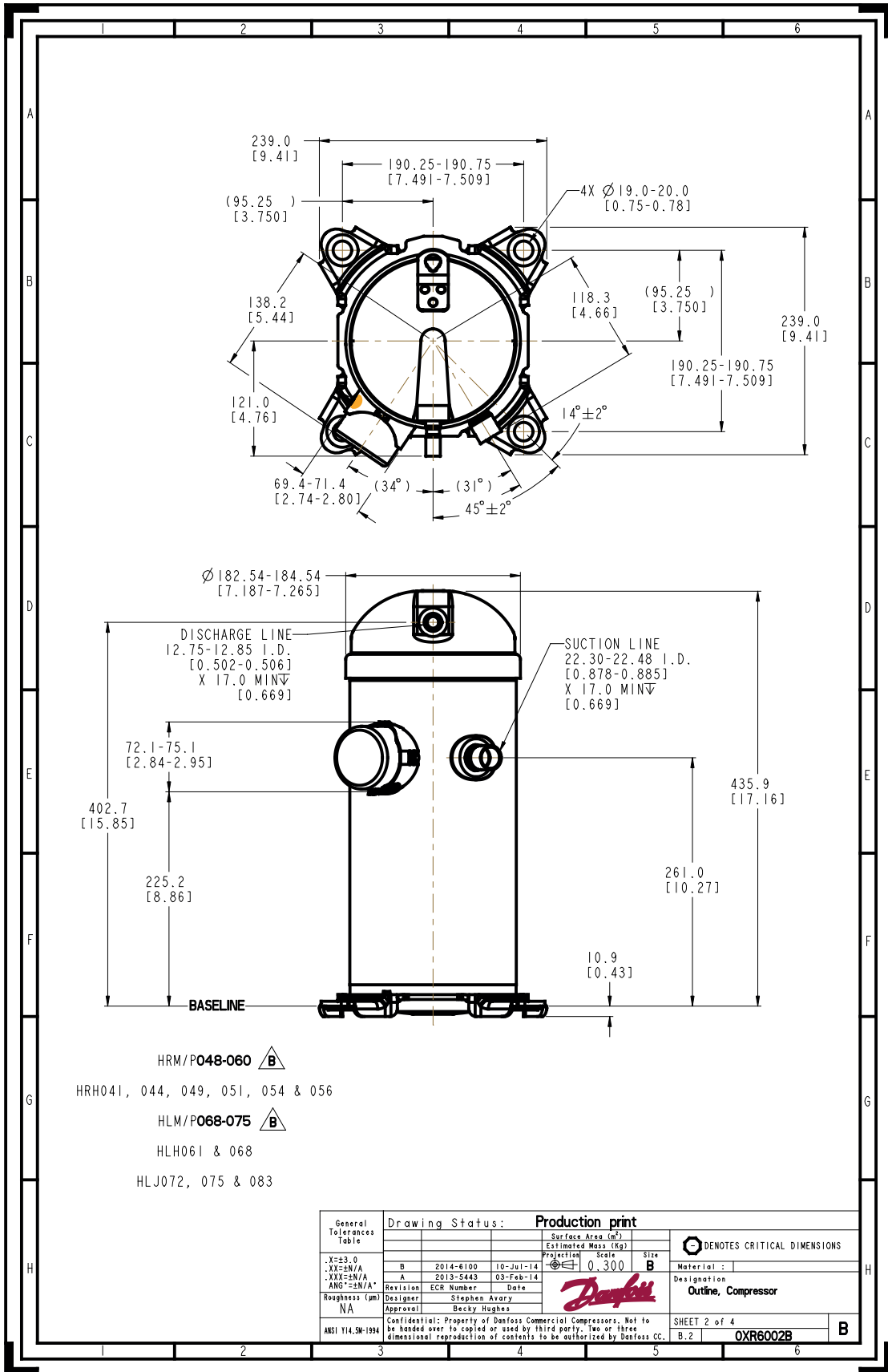
to: Evaporating temperature at dew point

tc: Condensing temperature at dew point

Rating conditions : Superheat = 11.1 K , Subcooling = 8.3 K

All performance data +/- 5%

Danfoss can accept no responsibility for possible errors in catalogues, brochures and other printed material. Danfoss reserves the right to alter its products without notice. This also applies to products already on order provided that such alternations can be made without subsequential changes being necessary in specifications already agreed. All trademarks in this material are property of the respective companies. Danfoss and the Danfoss logotype are trademarks of Danfoss A/S. All rights reserved.

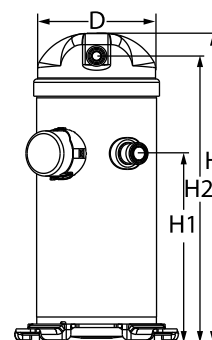


Danfoss can accept no responsibility for possible errors in catalogues, brochures and other printed material. Danfoss reserves the right to alter its products without notice. This also applies to products already on order provided that such alternations can be made without consequential changes being necessary in specifications already agreed. All trademarks in this material are property of the respective companies. Danfoss, the Danfoss logotype and Maneurop are trademarks of Danfoss A/S. All rights reserved.

General Characteristics

Model number (on compressor nameplate)		HRH051U4LT6
Code number for Singlepack*		121U3117
Code number for Industrial pack**		121U3116
Drawing number		0XR6002B-4
Suction and discharge connections		Rotolock
Suction connection		3/4 " Rotolock
Discharge connection		1/2 " Rotolock
Oil sight glass		None
Oil equalisation connection		None
Oil drain connection		None
LP gauge port		None
IPR valve		Yes
Swept volume		49.32 cm ³ /rev
Displacement @ Nominal speed		8.6 m ³ /h @ 2900 rpm - 10.4 m ³ /h @ 3500 rpm
Net weight		37.19 kg
Oil charge		1.57 litre, PVE --
Maximum system test pressure Low Side / High side		- bar(g) / - bar(g)
Maximum differential test pressure		- bar
Maximum number of starts per hour		-
Refrigerant charge limit		5.44 kg
Approved refrigerants		R410A

Dimensions

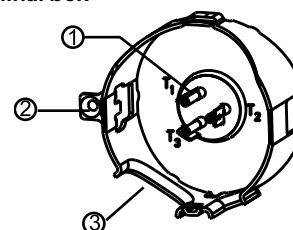


D=183.5 mm
H=455 mm
H1=280 mm
H2=422 mm
H3=- mm

Electrical Characteristics

Nominal voltage		380-415V/3/50Hz - 460V/3/60Hz
Voltage range		342-457 V @ 50Hz - 414-506 V @ 60Hz
Winding resistance between phases 1-2 +/- 7% at 25°C		2.316 Ω
Winding resistance between phases 1-3 +/- 7% at 25°C		2.330 Ω
Winding resistance between phases 2-3 +/- 7% at 25°C		2.360 Ω
Rated Load Amps (RLA)		8.3 A
Maximum Continuous Current (MCC)		13 A
Locked Rotor Amps (LRA)		70 A
Motor protection		Internal overload protector

Terminal box



IP22

- 1: Spade connectors 1/4"
- 2: Earth connection
- 3: Power cable passage

Recommended Installation torques

Oil sight glass		52.5 Nm
Power connections / Earth connection		0 Nm / 0 Nm

Parts shipped with compressor

Mounting kit with grommets and sleeves
Initial oil charge
Installation instructions

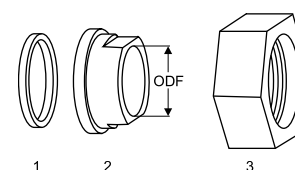
Approvals : CE certified, UL certified (file SA11565), -

*Singlepack: Compressor in cardboard box

**Industrial pack: 12 or 16 Unboxed compressors on pallet

Rotolock accessories, suction side		Code no.
Rotolock accessories, discharge side		Code no.
Rotolock accessories, sets		Code no.
Oil / lubricants		Code no.
PVE lubricant, 320HV (FVC68D), 1 litre can		120Z5034
Crankcase heaters		Code no.
Belt type crankcase heater, 50 W, 230 V, CE mark, UL		120Z0057
Belt type crankcase heater, 50 W, 400 V, CE mark, UL		120Z0058
Miscellaneous accessories		Code no.
Acoustic hood		120Z5044
Discharge thermostat kit		7750009
IP54 upgrade kit		118U0056
Spare parts		Code no.
Mounting kit for 1 scroll compressor including 4 grommets, 4 sleeves, 4 bolts, 4 washers		120Z5005
Mounting kit, including 1 bolt, 1 sleeve, 1 washer		120Z5031
No translation for 120Z5015		120Z5015

Gaskets, sleeves and nuts



- 1: Gasket
- 2: Solder sleeve
- 3: Rotolock nut

Performance data at 50 Hz, EN 12900 rating conditions

R410A

Cond. temp. in °C (tc)	Evaporating temperature in °C (to)							
	-25	-20	-15	-10	-5	0	5	10

Cooling capacity in W

30	4 513	5 686	7 001	8 528	10 339	12 507	15 101	18 196	-
35	4 030	5 268	6 586	8 055	9 746	11 730	14 079	16 863	-
40	-	4 713	6 081	7 539	9 158	11 008	13 160	15 684	-
45	-	-	5 438	6 931	8 524	10 287	12 289	14 601	-
50	-	-	-	6 181	7 792	9 512	11 411	13 557	-
55	-	-	-	-	6 910	8 629	10 467	12 490	-
60	-	-	-	-	-	7 580	9 392	11 330	-
65	-	-	-	-	-	-	8 106	9 982	-

Power input in W

30	2 297	2 325	2 344	2 350	2 340	2 311	2 258	2 178	-
35	2 563	2 596	2 622	2 637	2 638	2 621	2 583	2 520	-
40	-	2 916	2 946	2 967	2 976	2 969	2 943	2 894	-
45	-	-	3 322	3 346	3 361	3 361	3 344	3 306	-
50	-	-	-	3 781	3 797	3 802	3 791	3 761	-
55	-	-	-	-	4 292	4 298	4 290	4 265	-
60	-	-	-	-	-	4 854	4 847	4 825	-
65	-	-	-	-	-	-	5 469	5 446	-

Current consumption in A

30	4.03	4.04	4.09	4.13	4.13	4.06	3.87	3.54	-
35	4.24	4.28	4.36	4.44	4.49	4.47	4.35	4.08	-
40	-	4.57	4.67	4.77	4.85	4.87	4.78	4.56	-
45	-	-	5.06	5.17	5.25	5.28	5.21	5.02	-
50	-	-	-	5.66	5.73	5.75	5.69	5.50	-
55	-	-	-	-	6.33	6.33	6.24	6.03	-
60	-	-	-	-	-	7.04	6.91	6.67	-
65	-	-	-	-	-	-	7.74	7.44	-

Mass flow in kg/h

30	94	117	142	171	205	245	294	353	-
35	89	114	141	170	203	241	287	341	-
40	-	108	137	168	201	239	282	333	-
45	-	-	130	163	198	236	279	327	-
50	-	-	-	155	193	233	276	324	-
55	-	-	-	-	184	227	272	320	-
60	-	-	-	-	-	217	265	315	-
65	-	-	-	-	-	-	255	308	-

Coefficient of performance (C.O.P.)

30	1.96	2.45	2.99	3.63	4.42	5.41	6.69	8.35	-
35	1.57	2.03	2.51	3.05	3.69	4.47	5.45	6.69	-
40	-	1.62	2.06	2.54	3.08	3.71	4.47	5.42	-
45	-	-	1.64	2.07	2.54	3.06	3.68	4.42	-
50	-	-	-	1.63	2.05	2.50	3.01	3.60	-
55	-	-	-	-	1.61	2.01	2.44	2.93	-
60	-	-	-	-	-	1.56	1.94	2.35	-
65	-	-	-	-	-	-	1.48	1.83	-

Nominal performance at to = 5 °C, tc = 50 °C

Cooling capacity	11 411	W
Power input	3 791	W
Current consumption	5.69	A
Mass flow	276	kg/h
C.O.P.	3.01	

Pressure switch settings

Maximum HP switch setting	45	bar(g)
Minimum LP switch setting	1.5	bar(g)
LP pump down setting	2.3	bar(g)

Sound power data

Sound power level	67	dB(A)
With acoustic hood	62	dB(A)

to: Evaporating temperature at dew point

tc: Condensing temperature at dew point

Rating conditions : Superheat = 10 K , Subcooling = 0 K

All performance data +/- 5%

Danfoss can accept no responsibility for possible errors in catalogues, brochures and other printed material. Danfoss reserves the right to alter its products without notice. This also applies to products already on order provided that such alternations can be made without subsequential changes being necessary in specifications already agreed. All trademarks in this material are property of the respective companies. Danfoss and the Danfoss logotype are trademarks of Danfoss A/S. All rights reserved.

Performance data at 50 Hz, ARI rating conditions
R410A

Cond. temp. in °C (tc)	Evaporating temperature in °C (to)							
	-25	-20	-15	-10	-5	0	5	10

Cooling capacity in W

30	4 874	6 134	7 545	9 182	11 122	13 442	16 218	19 526	-
35	-	5 719	7 142	8 725	10 547	12 682	15 208	18 200	-
40	-	-	6 644	8 227	9 982	11 986	14 314	17 043	-
45	-	-	5 997	7 632	9 374	11 298	13 482	16 001	-
50	-	-	-	6 884	8 665	10 563	12 655	15 017	-
55	-	-	-	-	7 802	9 726	11 779	14 036	-
60	-	-	-	-	-	8 731	10 797	13 002	-
65	-	-	-	-	-	-	9 656	11 861	-

Power input in W

30	2 297	2 325	2 344	2 350	2 340	2 311	2 258	2 178	-
35	-	2 596	2 622	2 637	2 638	2 621	2 583	2 520	-
40	-	-	2 946	2 967	2 976	2 969	2 943	2 894	-
45	-	-	3 322	3 346	3 361	3 361	3 344	3 306	-
50	-	-	-	3 781	3 797	3 802	3 791	3 761	-
55	-	-	-	-	4 292	4 298	4 290	4 265	-
60	-	-	-	-	-	4 854	4 847	4 825	-
65	-	-	-	-	-	-	5 469	5 446	-

Current consumption in A

30	4.03	4.04	4.09	4.13	4.13	4.06	3.87	3.54	-
35	-	4.28	4.36	4.44	4.49	4.47	4.35	4.08	-
40	-	-	4.67	4.77	4.85	4.87	4.78	4.56	-
45	-	-	5.06	5.17	5.25	5.28	5.21	5.02	-
50	-	-	-	5.66	5.73	5.75	5.69	5.50	-
55	-	-	-	-	6.33	6.33	6.24	6.03	-
60	-	-	-	-	-	7.04	6.91	6.67	-
65	-	-	-	-	-	-	7.74	7.44	-

Mass flow in kg/h

30	94	116	141	170	203	244	292	350	-
35	-	113	140	169	201	240	285	338	-
40	-	-	136	167	200	237	280	330	-
45	-	-	129	162	197	235	277	325	-
50	-	-	-	154	192	231	274	321	-
55	-	-	-	-	183	226	270	318	-
60	-	-	-	-	-	216	263	313	-
65	-	-	-	-	-	-	253	306	-

Coefficient of performance (C.O.P.)

30	2.12	2.64	3.22	3.91	4.75	5.82	7.18	8.96	-
35	-	2.20	2.72	3.31	4.00	4.84	5.89	7.22	-
40	-	-	2.26	2.77	3.35	4.04	4.86	5.89	-
45	-	-	1.81	2.28	2.79	3.36	4.03	4.84	-
50	-	-	-	1.82	2.28	2.78	3.34	3.99	-
55	-	-	-	-	1.82	2.26	2.75	3.29	-
60	-	-	-	-	-	1.80	2.23	2.69	-
65	-	-	-	-	-	-	1.77	2.18	-

Nominal performance at to = 7.2 °C, tc = 54.4 °C

Cooling capacity	12 855	W
Power input	4 219	W
Current consumption	6.10	A
Mass flow	291	kg/h
C.O.P.	3.05	

Pressure switch settings

Maximum HP switch setting	45	bar(g)
Minimum LP switch setting	1.5	bar(g)
LP pump down setting	2.3	bar(g)

Sound power data

Sound power level	67	dB(A)
With acoustic hood	62	dB(A)

to: Evaporating temperature at dew point

tc: Condensing temperature at dew point

Rating conditions : Superheat = 11.1 K , Subcooling = 8.3 K

All performance data +/- 5%

Danfoss can accept no responsibility for possible errors in catalogues, brochures and other printed material. Danfoss reserves the right to alter its products without notice. This also applies to products already on order provided that such alternations can be made without subsequential changes being necessary in specifications already agreed. All trademarks in this material are property of the respective companies. Danfoss and the Danfoss logotype are trademarks of Danfoss A/S. All rights reserved.

Performance data at 60 Hz, EN 12900 rating conditions

R410A

Cond. temp. in °C (tc)	Evaporating temperature in °C (to)							
	-25	-20	-15	-10	-5	0	5	10

Cooling capacity in W

30	5 371	6 768	8 334	10 151	12 307	14 887	17 978	21 664	-
35	4 788	6 262	7 830	9 576	11 586	13 945	16 737	20 050	-
40	-	5 591	7 217	8 949	10 870	13 065	15 618	18 615	-
45	-	-	6 440	8 211	10 098	12 185	14 557	17 296	-
50	-	-	-	7 306	9 211	11 245	13 488	16 025	-
55	-	-	-	-	8 151	10 180	12 347	14 733	-
60	-	-	-	-	-	8 924	11 057	13 336	-
65	-	-	-	-	-	-	9 525	11 726	-

Power input in W

30	2 760	2 795	2 819	2 826	2 813	2 778	2 715	2 623	-
35	3 053	3 096	3 129	3 147	3 148	3 128	3 083	3 010	-
40	-	3 443	3 481	3 508	3 519	3 511	3 480	3 423	-
45	-	-	3 884	3 915	3 932	3 933	3 912	3 868	-
50	-	-	-	4 375	4 396	4 401	4 388	4 353	-
55	-	-	-	-	4 916	4 923	4 914	4 884	-
60	-	-	-	-	-	5 506	5 496	5 469	-
65	-	-	-	-	-	-	6 143	6 114	-

Current consumption in A

30	4.19	4.22	4.25	4.28	4.32	4.37	4.44	4.52	-
35	4.41	4.45	4.49	4.52	4.56	4.60	4.65	4.71	-
40	-	4.70	4.75	4.79	4.83	4.86	4.91	4.96	-
45	-	-	5.04	5.10	5.14	5.18	5.22	5.27	-
50	-	-	-	5.45	5.50	5.55	5.60	5.64	-
55	-	-	-	-	5.92	5.98	6.03	6.08	-
60	-	-	-	-	-	6.47	6.53	6.59	-
65	-	-	-	-	-	-	7.11	7.18	-

Mass flow in kg/h

30	112	139	169	203	244	292	350	420	-
35	105	136	167	202	241	287	341	405	-
40	-	128	163	199	239	283	335	395	-
45	-	-	154	194	235	280	330	388	-
50	-	-	-	184	228	275	326	383	-
55	-	-	-	-	218	268	321	378	-
60	-	-	-	-	-	256	312	371	-
65	-	-	-	-	-	-	299	362	-

Coefficient of performance (C.O.P.)

30	1.95	2.42	2.96	3.59	4.38	5.36	6.62	8.26	-
35	1.57	2.02	2.50	3.04	3.68	4.46	5.43	6.66	-
40	-	1.62	2.07	2.55	3.09	3.72	4.49	5.44	-
45	-	-	1.66	2.10	2.57	3.10	3.72	4.47	-
50	-	-	-	1.67	2.10	2.55	3.07	3.68	-
55	-	-	-	-	1.66	2.07	2.51	3.02	-
60	-	-	-	-	-	1.62	2.01	2.44	-
65	-	-	-	-	-	-	1.55	1.92	-

Nominal performance at to = 5 °C, tc = 50 °C

Cooling capacity	13 488	W
Power input	4 388	W
Current consumption	5.60	A
Mass flow	326	kg/h
C.O.P.	3.07	

Pressure switch settings

Maximum HP switch setting	45	bar(g)
Minimum LP switch setting	1.5	bar(g)
LP pump down setting	2.3	bar(g)

Sound power data

Sound power level	70	dB(A)
With acoustic hood	65	dB(A)

to: Evaporating temperature at dew point

tc: Condensing temperature at dew point

Rating conditions : Superheat = 10 K, Subcooling = 0 K

All performance data +/- 5%

Danfoss can accept no responsibility for possible errors in catalogues, brochures and other printed material. Danfoss reserves the right to alter its products without notice. This also applies to products already on order provided that such alternations can be made without subsequential changes being necessary in specifications already agreed. All trademarks in this material are property of the respective companies. Danfoss and the Danfoss logotype are trademarks of Danfoss A/S. All rights reserved.

Performance data at 60 Hz, ARI rating conditions

R410A

Cond. temp. in °C (tc)	Evaporating temperature in °C (to)							
	-25	-20	-15	-10	-5	0	5	10

Cooling capacity in W

30	5 800	7 302	8 981	10 930	13 239	16 001	19 306	23 247	-
35	-	6 798	8 491	10 373	12 538	15 076	18 079	21 639	-
40	-	-	7 885	9 765	11 848	14 225	16 988	20 229	-
45	-	-	7 101	9 041	11 104	13 383	15 970	18 954	-
50	-	-	-	8 137	10 244	12 488	14 959	17 751	-
55	-	-	-	-	9 204	11 474	13 894	16 555	-
60	-	-	-	-	-	10 280	12 711	15 304	-
65	-	-	-	-	-	-	11 346	13 933	-

Power input in W

30	2 760	2 795	2 819	2 826	2 813	2 778	2 715	2 623	-
35	-	3 096	3 129	3 147	3 148	3 128	3 083	3 010	-
40	-	-	3 481	3 508	3 519	3 511	3 480	3 423	-
45	-	-	3 884	3 915	3 932	3 933	3 912	3 868	-
50	-	-	-	4 375	4 396	4 401	4 388	4 353	-
55	-	-	-	-	4 916	4 923	4 914	4 884	-
60	-	-	-	-	-	5 506	5 496	5 469	-
65	-	-	-	-	-	-	6 143	6 114	-

Current consumption in A

30	4.19	4.22	4.25	4.28	4.32	4.37	4.44	4.52	-
35	-	4.45	4.49	4.52	4.56	4.60	4.65	4.71	-
40	-	-	4.75	4.79	4.83	4.86	4.91	4.96	-
45	-	-	5.04	5.10	5.14	5.18	5.22	5.27	-
50	-	-	-	5.45	5.50	5.55	5.60	5.64	-
55	-	-	-	-	5.92	5.98	6.03	6.08	-
60	-	-	-	-	-	6.47	6.53	6.59	-
65	-	-	-	-	-	-	7.11	7.18	-

Mass flow in kg/h

30	112	138	168	202	242	290	348	417	-
35	-	135	166	200	239	285	339	402	-
40	-	-	162	198	237	281	332	392	-
45	-	-	153	192	233	278	328	385	-
50	-	-	-	183	227	274	324	380	-
55	-	-	-	-	216	266	318	375	-
60	-	-	-	-	-	254	310	368	-
65	-	-	-	-	-	-	297	359	-

Coefficient of performance (C.O.P.)

30	2.10	2.61	3.19	3.87	4.71	5.76	7.11	8.86	-
35	-	2.20	2.71	3.30	3.98	4.82	5.86	7.19	-
40	-	-	2.26	2.78	3.37	4.05	4.88	5.91	-
45	-	-	1.83	2.31	2.82	3.40	4.08	4.90	-
50	-	-	-	1.86	2.33	2.84	3.41	4.08	-
55	-	-	-	-	1.87	2.33	2.83	3.39	-
60	-	-	-	-	-	1.87	2.31	2.80	-
65	-	-	-	-	-	-	1.85	2.28	-

Nominal performance at to = 7.2 °C, tc = 54.4 °C

Cooling capacity	15 167	W
Power input	4 837	W
Current consumption	6.00	A
Mass flow	343	kg/h
C.O.P.	3.14	

Pressure switch settings

Maximum HP switch setting	45	bar(g)
Minimum LP switch setting	1.5	bar(g)
LP pump down setting	2.3	bar(g)

Sound power data

Sound power level	70	dB(A)
With acoustic hood	65	dB(A)

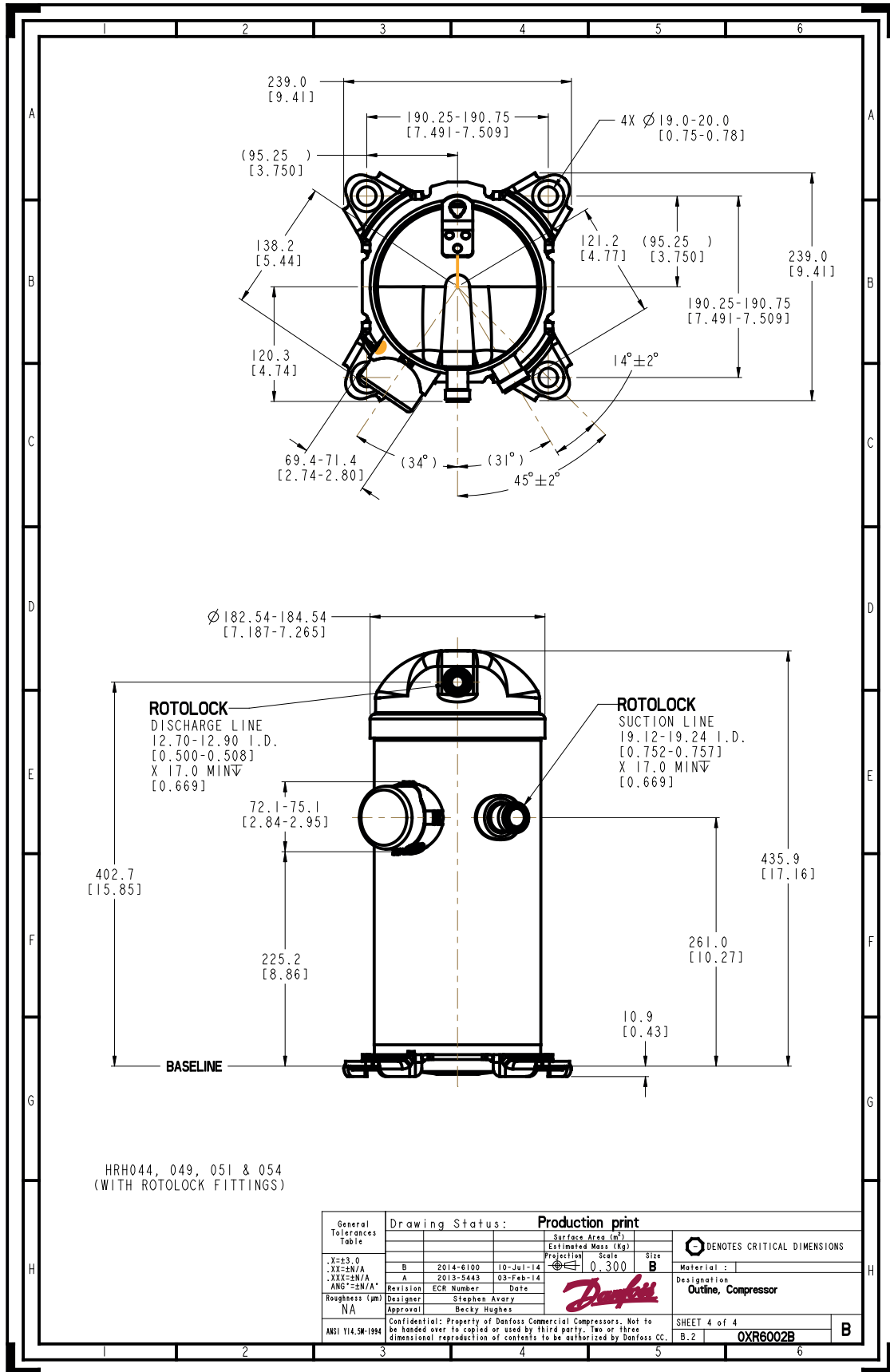
to: Evaporating temperature at dew point

tc: Condensing temperature at dew point

Rating conditions : Superheat = 11.1 K , Subcooling = 8.3 K

All performance data +/- 5%

Danfoss can accept no responsibility for possible errors in catalogues, brochures and other printed material. Danfoss reserves the right to alter its products without notice. This also applies to products already on order provided that such alternations can be made without subsequential changes being necessary in specifications already agreed. All trademarks in this material are property of the respective companies. Danfoss and the Danfoss logotype are trademarks of Danfoss A/S. All rights reserved.



Danfoss can accept no responsibility for possible errors in catalogues, brochures and other printed material. Danfoss reserves the right to alter its products without notice. This also applies to products already on order provided that such alternations can be made without consequential changes being necessary in specifications already agreed. All trademarks in this material are property of the respective companies. Danfoss, the Danfoss logotype and Maneurop are trademarks of Danfoss A/S. All rights reserved.