

ENGINEERING  
TOMORROW

*Danfoss*

Datasheets

# Danfoss scroll compressors **H series**



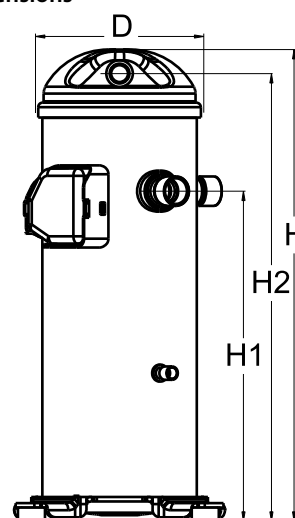
FRCC.UD.180315.135225

[www.danfoss.com/odsg](http://www.danfoss.com/odsg)

**General Characteristics**

Model number (on compressor nameplate)		<b>HRH056U4LC6</b>
Code number for Singlepack*		120U1386
Code number for Industrial pack**		120U1383
Drawing number		0XR6089B-1
Suction and discharge connections		Brazed
Suction connection		7/8 " ODF
Discharge connection		1/2 " ODF
Oil sight glass		None
Oil equalisation connection		None
Oil drain connection		None
LP gauge port		None
IPR valve		Yes
Swept volume		54.11 cm <sup>3</sup> /rev
Displacement @ Nominal speed		9.4 m <sup>3</sup> /h @ 2900 rpm - 11.4 m <sup>3</sup> /h @ 3500 rpm
Net weight		37.19 kg
Oil charge		1.57 litre, PVE --
Maximum system test pressure Low Side / High side		- bar(g) / - bar(g)
Maximum differential test pressure		- bar
Maximum number of starts per hour		-
Refrigerant charge limit		5.44 kg
Approved refrigerants		R410A

**Dimensions**

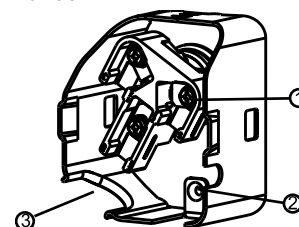


D=183.5 mm  
H=455 mm  
H1=280 mm  
H2=422 mm  
H3=- mm

**Electrical Characteristics**

Nominal voltage	380-415V/3/50Hz - 460V/3/60Hz
Voltage range	342-457 V @ 50Hz - 414-506 V @ 60Hz
Winding resistance between phases 1-2 +/- 7% at 25°C	2.316 Ω
Winding resistance between phases 1-3 +/- 7% at 25°C	2.330 Ω
Winding resistance between phases 2-3 +/- 7% at 25°C	2.360 Ω
Rated Load Amps (RLA)	9.6 A
Maximum Continuous Current (MCC)	15 A
Locked Rotor Amps (LRA)	70 A
Motor protection	Internal overload protector

**Terminal box**



IP22

- 1: Screw connectors 10-32 UNF x 9.5
- 2: Earth connection
- 3: Power cable passage

**Recommended Installation torques**

Oil sight glass	52.5 Nm
Power connections / Earth connection	3 Nm / 2 Nm

**Parts shipped with compressor**

Mounting kit with grommets and sleeves
Initial oil charge
Installation instructions

**Approvals** : CE certified, UL certified (file SA11565), -

\*Singlepack: Compressor in cardboard box

\*\*Industrial pack: 12 or 16 Unboxed compressors on pallet

**Rotolock accessories, suction side**

**Code no.**

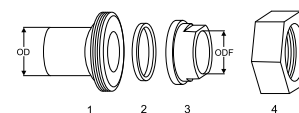
Rotolock valve, V05 (1-1/4" Rotolock, 7/8" ODF)	8168030
Gasket, 1-1/4"	8156131

**Rotolock accessories, discharge side**

**Code no.**

Solder sleeve, P06 (1" Rotolock, 1/2" ODF)	8153007
Angle adapter, C06 (1" Rotolock, 1/2" ODF)	8168007
Rotolock valve, V06 (1" Rotolock, 1/2" ODF)	8168031
Gasket, 1"	8156130

**Solder sleeve adapter set**



- 1: Rotolock adapter (Suc & Dis)
- 2: Gasket (Suc & Dis)
- 3: Solder sleeve (Suc & Dis)
- 4: Rotolock nut (Suc & Dis)

**Rotolock accessories, sets**

**Code no.**

Solder sleeve adapter set (1-1/4" Rotolock, 7/8" ODF), (1" Rotolock, 1/2" ODF)	120Z0127
Gasket set, 1", 1-1/4", 1-3/4", OSG gaskets black & white	8156009

**Oil / lubricants**

**Code no.**

PVE lubricant, 320HV (FVC68D), 1 litre can	120Z5034
--	----------

**Crankcase heaters**

**Code no.**

Belt type crankcase heater, 50 W, 230 V, CE mark, UL	120Z0057
Belt type crankcase heater, 50 W, 400 V, CE mark, UL	120Z0058

**Miscellaneous accessories**

**Code no.**

Acoustic hood	120Z5044
Discharge thermostat kit	7750009
IP54 upgrade kit	118U0057

**Spare parts**

**Code no.**

Mounting kit for 1 scroll compressor including 4 grommets, 4 sleeves, 4 bolts, 4 washers	120Z5005
Mounting kit, including 1 bolt, 1 sleeve, 1 washer	120Z5031
No translation for 120Z5018	120Z5018

Performance data at 50 Hz, EN 12900 rating conditions

R410A

Cond. temp. in °C (tc)	Evaporating temperature in °C (to)							
	-25	-20	-15	-10	-5	0	5	10

Cooling capacity in W

30	4 886	6 157	7 581	9 235	11 196	13 543	16 354	19 708	-
35	4 357	5 698	7 124	8 714	10 543	12 689	15 230	18 244	-
40	-	5 090	6 569	8 145	9 894	11 892	14 216	16 944	-
45	-	-	5 864	7 476	9 194	11 095	13 255	15 749	-
50	-	-	-	6 655	8 390	10 243	12 287	14 597	-
55	-	-	-	-	7 428	9 276	11 251	13 425	-
60	-	-	-	-	-	8 135	10 079	12 158	-
65	-	-	-	-	-	-	8 686	10 693	-

Power input in W

30	2 514	2 544	2 565	2 572	2 561	2 529	2 471	2 385	-
35	2 801	2 837	2 865	2 882	2 883	2 865	2 824	2 755	-
40	-	3 181	3 214	3 238	3 248	3 240	3 212	3 158	-
45	-	-	3 618	3 645	3 661	3 661	3 642	3 601	-
50	-	-	-	4 110	4 129	4 134	4 122	4 089	-
55	-	-	-	-	4 658	4 665	4 656	4 629	-
60	-	-	-	-	-	5 260	5 252	5 228	-
65	-	-	-	-	-	-	5 916	5 891	-

Current consumption in A

30	5.18	5.20	5.25	5.31	5.31	5.21	4.98	4.55	-
35	5.45	5.50	5.60	5.71	5.77	5.75	5.59	5.24	-
40	-	5.88	6.00	6.14	6.24	6.25	6.14	5.86	-
45	-	-	6.50	6.64	6.75	6.79	6.70	6.45	-
50	-	-	-	7.28	7.37	7.40	7.31	7.07	-
55	-	-	-	-	8.14	8.13	8.02	7.76	-
60	-	-	-	-	-	9.05	8.88	8.57	-
65	-	-	-	-	-	-	9.94	9.56	-

Mass flow in kg/h

30	102	127	154	185	222	266	319	382	-
35	96	123	152	184	219	261	310	369	-
40	-	116	148	181	217	258	305	359	-
45	-	-	140	176	214	255	301	353	-
50	-	-	-	167	208	251	297	349	-
55	-	-	-	-	198	244	292	344	-
60	-	-	-	-	-	233	285	338	-
65	-	-	-	-	-	-	273	330	-

Coefficient of performance (C.O.P.)

30	1.94	2.42	2.96	3.59	4.37	5.36	6.62	8.26	-
35	1.56	2.01	2.49	3.02	3.66	4.43	5.39	6.62	-
40	-	1.60	2.04	2.52	3.05	3.67	4.43	5.36	-
45	-	-	1.62	2.05	2.51	3.03	3.64	4.37	-
50	-	-	-	1.62	2.03	2.48	2.98	3.57	-
55	-	-	-	-	1.59	1.99	2.42	2.90	-
60	-	-	-	-	-	1.55	1.92	2.33	-
65	-	-	-	-	-	-	1.47	1.82	-

Nominal performance at to = 5 °C, tc = 50 °C

Cooling capacity	12 287	W
Power input	4 122	W
Current consumption	7.31	A
Mass flow	297	kg/h
C.O.P.	2.98	

Pressure switch settings

Maximum HP switch setting	45	bar(g)
Minimum LP switch setting	1.5	bar(g)
LP pump down setting	2.3	bar(g)

Sound power data

Sound power level	67	dB(A)
With acoustic hood	62	dB(A)

to: Evaporating temperature at dew point

tc: Condensing temperature at dew point

Rating conditions : Superheat = 10 K , Subcooling = 0 K

All performance data +/- 5%

Danfoss can accept no responsibility for possible errors in catalogues, brochures and other printed material. Danfoss reserves the right to alter its products without notice. This also applies to products already on order provided that such alternations can be made without subsequential changes being necessary in specifications already agreed. All trademarks in this material are property of the respective companies. Danfoss and the Danfoss logotype are trademarks of Danfoss A/S. All rights reserved.

Performance data at 50 Hz, ARI rating conditions

R410A

Cond. temp. in °C (tc)	Evaporating temperature in °C (to)							
	-25	-20	-15	-10	-5	0	5	10

Cooling capacity in W

30	5 277	6 643	8 170	9 943	12 044	14 556	17 563	21 148	-
35	-	6 186	7 726	9 439	11 409	13 719	16 451	19 690	-
40	-	-	7 177	8 888	10 784	12 948	15 463	18 413	-
45	-	-	6 466	8 232	10 111	12 186	14 541	17 259	-
50	-	-	-	7 412	9 331	11 375	13 626	16 169	-
55	-	-	-	-	8 387	10 456	12 661	15 086	-
60	-	-	-	-	-	9 371	11 587	13 951	-
65	-	-	-	-	-	-	10 346	12 706	-

Power input in W

30	2 514	2 544	2 565	2 572	2 561	2 529	2 471	2 385	-
35	-	2 837	2 865	2 882	2 883	2 865	2 824	2 755	-
40	-	-	3 214	3 238	3 248	3 240	3 212	3 158	-
45	-	-	3 618	3 645	3 661	3 661	3 642	3 601	-
50	-	-	-	4 110	4 129	4 134	4 122	4 089	-
55	-	-	-	-	4 658	4 665	4 656	4 629	-
60	-	-	-	-	-	5 260	5 252	5 228	-
65	-	-	-	-	-	-	5 916	5 891	-

Current consumption in A

30	5.18	5.20	5.25	5.31	5.31	5.21	4.98	4.55	-
35	-	5.50	5.60	5.71	5.77	5.75	5.59	5.24	-
40	-	-	6.00	6.14	6.24	6.25	6.14	5.86	-
45	-	-	6.50	6.64	6.75	6.79	6.70	6.45	-
50	-	-	-	7.28	7.37	7.40	7.31	7.07	-
55	-	-	-	-	8.14	8.13	8.02	7.76	-
60	-	-	-	-	-	9.05	8.88	8.57	-
65	-	-	-	-	-	-	9.94	9.56	-

Mass flow in kg/h

30	102	126	153	184	220	264	317	379	-
35	-	123	151	182	218	259	308	366	-
40	-	-	147	180	216	256	303	357	-
45	-	-	139	175	213	253	299	351	-
50	-	-	-	166	207	249	295	346	-
55	-	-	-	-	197	243	290	342	-
60	-	-	-	-	-	232	283	336	-
65	-	-	-	-	-	-	271	327	-

Coefficient of performance (C.O.P.)

30	2.10	2.61	3.19	3.87	4.70	5.76	7.11	8.87	-
35	-	2.18	2.70	3.28	3.96	4.79	5.83	7.15	-
40	-	-	2.23	2.75	3.32	4.00	4.81	5.83	-
45	-	-	1.79	2.26	2.76	3.33	3.99	4.79	-
50	-	-	-	1.80	2.26	2.75	3.31	3.95	-
55	-	-	-	-	1.80	2.24	2.72	3.26	-
60	-	-	-	-	-	1.78	2.21	2.67	-
65	-	-	-	-	-	-	1.75	2.16	-

Nominal performance at to = 7.2 °C, tc = 54.4 °C

Cooling capacity	13 821	W
Power input	4 580	W
Current consumption	7.83	A
Mass flow	313	kg/h
C.O.P.	3.02	

Pressure switch settings

Maximum HP switch setting	45	bar(g)
Minimum LP switch setting	1.5	bar(g)
LP pump down setting	2.3	bar(g)

Sound power data

Sound power level	67	dB(A)
With acoustic hood	62	dB(A)

to: Evaporating temperature at dew point

tc: Condensing temperature at dew point

Rating conditions : Superheat = 11.1 K , Subcooling = 8.3 K

All performance data +/- 5%

Danfoss can accept no responsibility for possible errors in catalogues, brochures and other printed material. Danfoss reserves the right to alter its products without notice. This also applies to products already on order provided that such alternations can be made without subsequential changes being necessary in specifications already agreed. All trademarks in this material are property of the respective companies. Danfoss and the Danfoss logotype are trademarks of Danfoss A/S. All rights reserved.

Performance data at 60 Hz, EN 12900 rating conditions

R410A

Cond. temp. in °C (tc)	Evaporating temperature in °C (to)							
	-25	-20	-15	-10	-5	0	5	10

Cooling capacity in W

30	4 860	6 358	8 185	10 368	12 934	15 912	19 328	23 211	-
35	4 369	5 819	7 576	9 667	12 119	14 960	18 217	21 917	-
40	-	5 276	6 961	8 957	11 293	13 994	17 088	20 603	-
45	-	-	6 326	8 225	10 440	12 999	15 927	19 253	-
50	-	-	-	7 455	9 547	11 958	14 716	17 848	-
55	-	-	-	-	8 594	10 852	13 433	16 363	-
60	-	-	-	-	-	9 653	12 046	14 761	-
65	-	-	-	-	-	-	10 493	12 968	-

Power input in W

30	3 247	3 206	3 173	3 145	3 119	3 091	3 057	3 013	-
35	3 705	3 649	3 601	3 559	3 519	3 477	3 429	3 372	-
40	-	4 136	4 075	4 020	3 967	3 912	3 852	3 783	-
45	-	-	4 600	4 533	4 468	4 403	4 332	4 253	-
50	-	-	-	5 102	5 028	4 953	4 872	4 784	-
55	-	-	-	-	5 651	5 567	5 479	5 383	-
60	-	-	-	-	-	6 251	6 156	6 055	-
65	-	-	-	-	-	-	6 910	6 803	-

Current consumption in A

30	5.31	5.31	5.31	5.30	5.28	5.24	5.17	5.08	-
35	5.72	5.71	5.71	5.69	5.67	5.63	5.58	5.50	-
40	-	6.17	6.15	6.13	6.11	6.07	6.02	5.95	-
45	-	-	6.67	6.64	6.61	6.57	6.52	6.45	-
50	-	-	-	7.23	7.19	7.15	7.09	7.03	-
55	-	-	-	-	7.87	7.82	7.76	7.70	-
60	-	-	-	-	-	8.60	8.54	8.47	-
65	-	-	-	-	-	-	9.44	9.37	-

Mass flow in kg/h

30	102	131	166	208	256	312	375	446	-
35	96	126	162	204	252	308	371	442	-
40	-	121	157	199	248	303	366	437	-
45	-	-	151	194	243	299	362	432	-
50	-	-	-	188	237	293	356	426	-
55	-	-	-	-	229	286	349	419	-
60	-	-	-	-	-	277	340	411	-
65	-	-	-	-	-	-	329	400	-

Coefficient of performance (C.O.P.)

30	1.50	1.98	2.58	3.30	4.15	5.15	6.32	7.70	-
35	1.18	1.59	2.10	2.72	3.44	4.30	5.31	6.50	-
40	-	1.28	1.71	2.23	2.85	3.58	4.44	5.45	-
45	-	-	1.38	1.81	2.34	2.95	3.68	4.53	-
50	-	-	-	1.46	1.90	2.41	3.02	3.73	-
55	-	-	-	-	1.52	1.95	2.45	3.04	-
60	-	-	-	-	-	1.54	1.96	2.44	-
65	-	-	-	-	-	-	1.52	1.91	-

Nominal performance at to = 5 °C, tc = 50 °C

Cooling capacity	14 716	W
Power input	4 872	W
Current consumption	7.09	A
Mass flow	356	kg/h
C.O.P.	3.02	

Pressure switch settings

Maximum HP switch setting	45	bar(g)
Minimum LP switch setting	1.5	bar(g)
LP pump down setting	2.3	bar(g)

Sound power data

Sound power level	70	dB(A)
With acoustic hood	65	dB(A)

to: Evaporating temperature at dew point

tc: Condensing temperature at dew point

Rating conditions : Superheat = 10 K , Subcooling = 0 K

All performance data +/- 5%

Danfoss can accept no responsibility for possible errors in catalogues, brochures and other printed material. Danfoss reserves the right to alter its products without notice. This also applies to products already on order provided that such alternations can be made without subsequential changes being necessary in specifications already agreed. All trademarks in this material are property of the respective companies. Danfoss and the Danfoss logotype are trademarks of Danfoss A/S. All rights reserved.

**Performance data at 60 Hz, ARI rating conditions**
**R410A**

Cond. temp. in °C (tc)	Evaporating temperature in °C (to)							
	-25	-20	-15	-10	-5	0	5	10

**Cooling capacity in W**

30	5 248	6 859	8 821	11 163	13 913	17 102	20 757	24 907	-
35	-	6 318	8 216	10 472	13 115	16 174	19 677	23 654	-
40	-	-	7 605	9 775	12 309	15 237	18 587	22 389	-
45	-	-	6 975	9 056	11 481	14 277	17 473	21 099	-
50	-	-	-	8 303	10 617	13 280	16 321	19 770	-
55	-	-	-	-	9 703	12 232	15 117	18 388	-
60	-	-	-	-	-	11 120	13 848	16 939	-
65	-	-	-	-	-	-	12 499	15 409	-

**Power input in W**

30	3 247	3 206	3 173	3 145	3 119	3 091	3 057	3 013	-
35	-	3 649	3 601	3 559	3 519	3 477	3 429	3 372	-
40	-	-	4 075	4 020	3 967	3 912	3 852	3 783	-
45	-	-	4 600	4 533	4 468	4 403	4 332	4 253	-
50	-	-	-	5 102	5 028	4 953	4 872	4 784	-
55	-	-	-	-	5 651	5 567	5 479	5 383	-
60	-	-	-	-	-	6 251	6 156	6 055	-
65	-	-	-	-	-	-	6 910	6 803	-

**Current consumption in A**

30	5.31	5.31	5.31	5.30	5.28	5.24	5.17	5.08	-
35	-	5.71	5.71	5.69	5.67	5.63	5.58	5.50	-
40	-	-	6.15	6.13	6.11	6.07	6.02	5.95	-
45	-	-	6.67	6.64	6.61	6.57	6.52	6.45	-
50	-	-	-	7.23	7.19	7.15	7.09	7.03	-
55	-	-	-	-	7.87	7.82	7.76	7.70	-
60	-	-	-	-	-	8.60	8.54	8.47	-
65	-	-	-	-	-	-	9.44	9.37	-

**Mass flow in kg/h**

30	101	130	165	206	255	310	373	443	-
35	-	125	161	202	251	306	368	439	-
40	-	-	156	198	246	301	364	434	-
45	-	-	150	193	241	297	359	429	-
50	-	-	-	186	235	291	353	423	-
55	-	-	-	-	228	284	346	416	-
60	-	-	-	-	-	275	338	408	-
65	-	-	-	-	-	-	327	397	-

**Coefficient of performance (C.O.P.)**

30	1.62	2.14	2.78	3.55	4.46	5.53	6.79	8.27	-
35	-	1.73	2.28	2.94	3.73	4.65	5.74	7.02	-
40	-	-	1.87	2.43	3.10	3.89	4.83	5.92	-
45	-	-	1.52	2.00	2.57	3.24	4.03	4.96	-
50	-	-	-	1.63	2.11	2.68	3.35	4.13	-
55	-	-	-	-	1.72	2.20	2.76	3.42	-
60	-	-	-	-	-	1.78	2.25	2.80	-
65	-	-	-	-	-	-	1.81	2.27	-

**Nominal performance at to = 7.2 °C, tc = 54.4 °C**

Cooling capacity	16 664	W
Power input	5 362	W
Current consumption	7.65	A
Mass flow	377	kg/h
C.O.P.	3.11	

**Pressure switch settings**

Maximum HP switch setting	45	bar(g)
Minimum LP switch setting	1.5	bar(g)
LP pump down setting	2.3	bar(g)

**Sound power data**

Sound power level	70	dB(A)
With acoustic hood	65	dB(A)

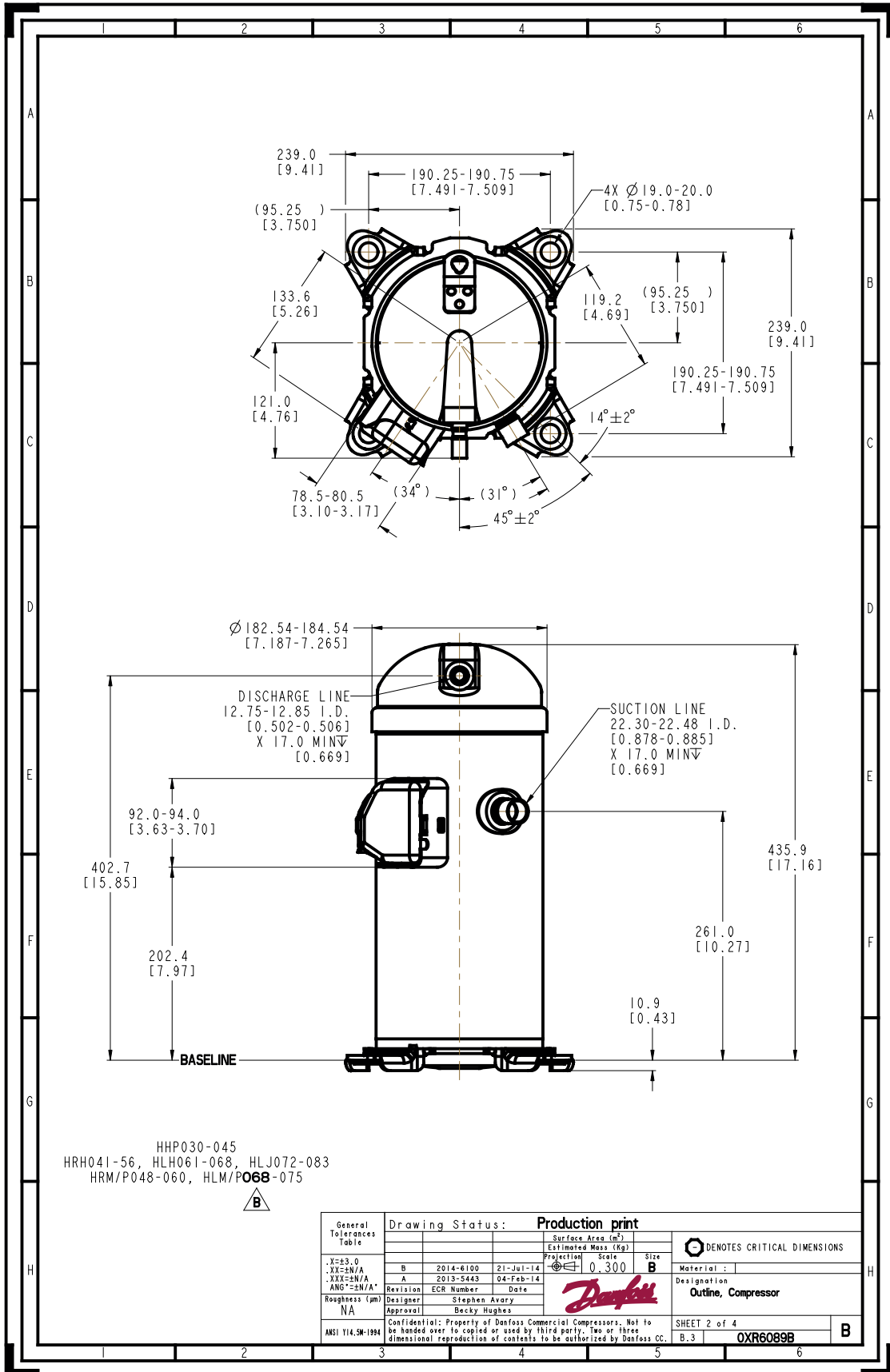
to: Evaporating temperature at dew point

tc: Condensing temperature at dew point

Rating conditions : Superheat = 11.1 K , Subcooling = 8.3 K

All performance data +/- 5%

Danfoss can accept no responsibility for possible errors in catalogues, brochures and other printed material. Danfoss reserves the right to alter its products without notice. This also applies to products already on order provided that such alternations can be made without subsequential changes being necessary in specifications already agreed. All trademarks in this material are property of the respective companies. Danfoss and the Danfoss logotype are trademarks of Danfoss A/S. All rights reserved.



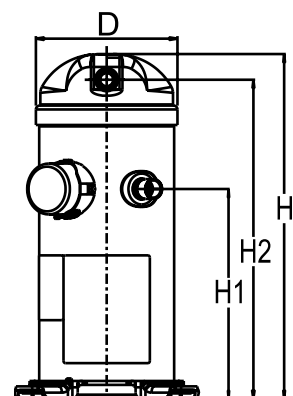
Danfoss can accept no responsibility for possible errors in catalogues, brochures and other printed material. Danfoss reserves the right to alter its products without notice. This also applies to products already on order provided that such alternations can be made without sequential changes being necessary in specifications already agreed. All trademarks in this material are property of the respective companies. Danfoss, the Danfoss logotype and Maneurop are trademarks of Danfoss A/S. All rights reserved.



**General Characteristics**

Model number (on compressor nameplate)		<b>HRH056U4LP6</b>
Code number for Singlepack*		120U1381
Code number for Industrial pack**		120U1378
Drawing number		0XR6002B-2
Suction and discharge connections		Brazed
Suction connection		7/8 " ODF
Discharge connection		1/2 " ODF
Oil sight glass		None
Oil equalisation connection		None
Oil drain connection		None
LP gauge port		None
IPR valve		Yes
Swept volume		54.11 cm <sup>3</sup> /rev
Displacement @ Nominal speed		9.4 m <sup>3</sup> /h @ 2900 rpm - 11.4 m <sup>3</sup> /h @ 3500 rpm
Net weight		37.19 kg
Oil charge		1.57 litre, PVE --
Maximum system test pressure Low Side / High side		- bar(g) / - bar(g)
Maximum differential test pressure		- bar
Maximum number of starts per hour		-
Refrigerant charge limit		5.44 kg
Approved refrigerants		R410A

**Dimensions**

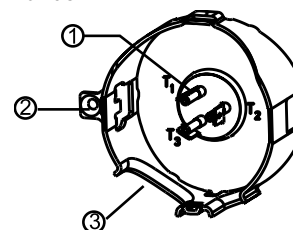


D=183.5 mm  
H=455 mm  
H1=280 mm  
H2=422 mm  
H3=- mm

**Electrical Characteristics**

Nominal voltage	380-415V/3/50Hz - 460V/3/60Hz
Voltage range	342-457 V @ 50Hz - 414-506 V @ 60Hz
Winding resistance between phases 1-2 +/- 7% at 25°C	2.316 Ω
Winding resistance between phases 1-3 +/- 7% at 25°C	2.330 Ω
Winding resistance between phases 2-3 +/- 7% at 25°C	2.360 Ω
Rated Load Amps (RLA)	9.6 A
Maximum Continuous Current (MCC)	15 A
Locked Rotor Amps (LRA)	70 A
Motor protection	Internal overload protector

**Terminal box**



IP22

- 1: Spade connectors 1/4"
- 2: Earth connection
- 3: Power cable passage

**Recommended Installation torques**

Oil sight glass	52.5 Nm
Power connections / Earth connection	0 Nm / 0 Nm

**Parts shipped with compressor**

Mounting kit with grommets and sleeves
Initial oil charge
Installation instructions

**Approvals** : CE certified, UL certified (file SA11565), -

\*Singlepack: Compressor in cardboard box

\*\*Industrial pack: 12 or 16 Unboxed compressors on pallet

**Rotolock accessories, suction side**

**Code no.**

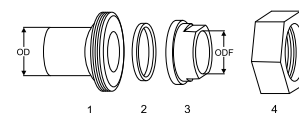
Rotolock valve, V05 (1-1/4" Rotolock, 7/8" ODF)	8168030
Gasket, 1-1/4"	8156131

**Rotolock accessories, discharge side**

**Code no.**

Solder sleeve, P06 (1" Rotolock, 1/2" ODF)	8153007
Angle adapter, C06 (1" Rotolock, 1/2" ODF)	8168007
Rotolock valve, V06 (1" Rotolock, 1/2" ODF)	8168031
Gasket, 1"	8156130

**Solder sleeve adapter set**



- 1: Rotolock adapter (Suc & Dis)
- 2: Gasket (Suc & Dis)
- 3: Solder sleeve (Suc & Dis)
- 4: Rotolock nut (Suc & Dis)

**Rotolock accessories, sets**

**Code no.**

Solder sleeve adapter set (1-1/4" Rotolock, 7/8" ODF), (1" Rotolock, 1/2" ODF)	120Z0127
Gasket set, 1", 1-1/4", 1-3/4", OSG gaskets black & white	8156009

**Oil / lubricants**

**Code no.**

PVE lubricant, 320HV (FVC68D), 1 litre can	120Z5034
--	----------

**Crankcase heaters**

**Code no.**

Belt type crankcase heater, 50 W, 230 V, CE mark, UL	120Z0057
Belt type crankcase heater, 50 W, 400 V, CE mark, UL	120Z0058

**Miscellaneous accessories**

**Code no.**

Acoustic hood	120Z5044
Discharge thermostat kit	7750009
IP54 upgrade kit	118U0056

**Spare parts**

**Code no.**

Mounting kit for 1 scroll compressor including 4 grommets, 4 sleeves, 4 bolts, 4 washers	120Z5005
Mounting kit, including 1 bolt, 1 sleeve, 1 washer	120Z5031
No translation for 120Z5015	120Z5015

Performance data at 50 Hz, EN 12900 rating conditions

R410A

Cond. temp. in °C (tc)	Evaporating temperature in °C (to)							
	-25	-20	-15	-10	-5	0	5	10

Cooling capacity in W

30	4 886	6 157	7 581	9 235	11 196	13 543	16 354	19 708	-
35	4 357	5 698	7 124	8 714	10 543	12 689	15 230	18 244	-
40	-	5 090	6 569	8 145	9 894	11 892	14 216	16 944	-
45	-	-	5 864	7 476	9 194	11 095	13 255	15 749	-
50	-	-	-	6 655	8 390	10 243	12 287	14 597	-
55	-	-	-	-	7 428	9 276	11 251	13 425	-
60	-	-	-	-	-	8 135	10 079	12 158	-
65	-	-	-	-	-	-	8 686	10 693	-

Power input in W

30	2 514	2 544	2 565	2 572	2 561	2 529	2 471	2 385	-
35	2 801	2 837	2 865	2 882	2 883	2 865	2 824	2 755	-
40	-	3 181	3 214	3 238	3 248	3 240	3 212	3 158	-
45	-	-	3 618	3 645	3 661	3 661	3 642	3 601	-
50	-	-	-	4 110	4 129	4 134	4 122	4 089	-
55	-	-	-	-	4 658	4 665	4 656	4 629	-
60	-	-	-	-	-	5 260	5 252	5 228	-
65	-	-	-	-	-	-	5 916	5 891	-

Current consumption in A

30	5.18	5.20	5.25	5.31	5.31	5.21	4.98	4.55	-
35	5.45	5.50	5.60	5.71	5.77	5.75	5.59	5.24	-
40	-	5.88	6.00	6.14	6.24	6.25	6.14	5.86	-
45	-	-	6.50	6.64	6.75	6.79	6.70	6.45	-
50	-	-	-	7.28	7.37	7.40	7.31	7.07	-
55	-	-	-	-	8.14	8.13	8.02	7.76	-
60	-	-	-	-	-	9.05	8.88	8.57	-
65	-	-	-	-	-	-	9.94	9.56	-

Mass flow in kg/h

30	102	127	154	185	222	266	319	382	-
35	96	123	152	184	219	261	310	369	-
40	-	116	148	181	217	258	305	359	-
45	-	-	140	176	214	255	301	353	-
50	-	-	-	167	208	251	297	349	-
55	-	-	-	-	198	244	292	344	-
60	-	-	-	-	-	233	285	338	-
65	-	-	-	-	-	-	273	330	-

Coefficient of performance (C.O.P.)

30	1.94	2.42	2.96	3.59	4.37	5.36	6.62	8.26	-
35	1.56	2.01	2.49	3.02	3.66	4.43	5.39	6.62	-
40	-	1.60	2.04	2.52	3.05	3.67	4.43	5.36	-
45	-	-	1.62	2.05	2.51	3.03	3.64	4.37	-
50	-	-	-	1.62	2.03	2.48	2.98	3.57	-
55	-	-	-	-	1.59	1.99	2.42	2.90	-
60	-	-	-	-	-	1.55	1.92	2.33	-
65	-	-	-	-	-	-	1.47	1.82	-

Nominal performance at to = 5 °C, tc = 50 °C

Cooling capacity	12 287	W
Power input	4 122	W
Current consumption	7.31	A
Mass flow	297	kg/h
C.O.P.	2.98	

Pressure switch settings

Maximum HP switch setting	45	bar(g)
Minimum LP switch setting	1.5	bar(g)
LP pump down setting	2.3	bar(g)

Sound power data

Sound power level	67	dB(A)
With acoustic hood	62	dB(A)

to: Evaporating temperature at dew point

tc: Condensing temperature at dew point

Rating conditions : Superheat = 10 K , Subcooling = 0 K

All performance data +/- 5%

Danfoss can accept no responsibility for possible errors in catalogues, brochures and other printed material. Danfoss reserves the right to alter its products without notice. This also applies to products already on order provided that such alternations can be made without subsequential changes being necessary in specifications already agreed. All trademarks in this material are property of the respective companies. Danfoss and the Danfoss logotype are trademarks of Danfoss A/S. All rights reserved.

**Performance data at 50 Hz, ARI rating conditions**
**R410A**

Cond. temp. in °C (tc)	Evaporating temperature in °C (to)							
	-25	-20	-15	-10	-5	0	5	10

**Cooling capacity in W**

30	5 277	6 643	8 170	9 943	12 044	14 556	17 563	21 148	-
35	-	6 186	7 726	9 439	11 409	13 719	16 451	19 690	-
40	-	-	7 177	8 888	10 784	12 948	15 463	18 413	-
45	-	-	6 466	8 232	10 111	12 186	14 541	17 259	-
50	-	-	-	7 412	9 331	11 375	13 626	16 169	-
55	-	-	-	-	8 387	10 456	12 661	15 086	-
60	-	-	-	-	-	9 371	11 587	13 951	-
65	-	-	-	-	-	-	10 346	12 706	-

**Power input in W**

30	2 514	2 544	2 565	2 572	2 561	2 529	2 471	2 385	-
35	-	2 837	2 865	2 882	2 883	2 865	2 824	2 755	-
40	-	-	3 214	3 238	3 248	3 240	3 212	3 158	-
45	-	-	3 618	3 645	3 661	3 661	3 642	3 601	-
50	-	-	-	4 110	4 129	4 134	4 122	4 089	-
55	-	-	-	-	4 658	4 665	4 656	4 629	-
60	-	-	-	-	-	5 260	5 252	5 228	-
65	-	-	-	-	-	-	5 916	5 891	-

**Current consumption in A**

30	5.18	5.20	5.25	5.31	5.31	5.21	4.98	4.55	-
35	-	5.50	5.60	5.71	5.77	5.75	5.59	5.24	-
40	-	-	6.00	6.14	6.24	6.25	6.14	5.86	-
45	-	-	6.50	6.64	6.75	6.79	6.70	6.45	-
50	-	-	-	7.28	7.37	7.40	7.31	7.07	-
55	-	-	-	-	8.14	8.13	8.02	7.76	-
60	-	-	-	-	-	9.05	8.88	8.57	-
65	-	-	-	-	-	-	9.94	9.56	-

**Mass flow in kg/h**

30	102	126	153	184	220	264	317	379	-
35	-	123	151	182	218	259	308	366	-
40	-	-	147	180	216	256	303	357	-
45	-	-	139	175	213	253	299	351	-
50	-	-	-	166	207	249	295	346	-
55	-	-	-	-	197	243	290	342	-
60	-	-	-	-	-	232	283	336	-
65	-	-	-	-	-	-	271	327	-

**Coefficient of performance (C.O.P.)**

30	2.10	2.61	3.19	3.87	4.70	5.76	7.11	8.87	-
35	-	2.18	2.70	3.28	3.96	4.79	5.83	7.15	-
40	-	-	2.23	2.75	3.32	4.00	4.81	5.83	-
45	-	-	1.79	2.26	2.76	3.33	3.99	4.79	-
50	-	-	-	1.80	2.26	2.75	3.31	3.95	-
55	-	-	-	-	1.80	2.24	2.72	3.26	-
60	-	-	-	-	-	1.78	2.21	2.67	-
65	-	-	-	-	-	-	1.75	2.16	-

**Nominal performance at to = 7.2 °C, tc = 54.4 °C**

Cooling capacity	13 821	W
Power input	4 580	W
Current consumption	7.83	A
Mass flow	313	kg/h
C.O.P.	3.02	

**Pressure switch settings**

Maximum HP switch setting	45	bar(g)
Minimum LP switch setting	1.5	bar(g)
LP pump down setting	2.3	bar(g)

**Sound power data**

Sound power level	67	dB(A)
With acoustic hood	62	dB(A)

to: Evaporating temperature at dew point

tc: Condensing temperature at dew point

Rating conditions : Superheat = 11.1 K , Subcooling = 8.3 K

All performance data +/- 5%

Danfoss can accept no responsibility for possible errors in catalogues, brochures and other printed material. Danfoss reserves the right to alter its products without notice. This also applies to products already on order provided that such alternations can be made without subsequential changes being necessary in specifications already agreed. All trademarks in this material are property of the respective companies. Danfoss and the Danfoss logotype are trademarks of Danfoss A/S. All rights reserved.

Performance data at 60 Hz, EN 12900 rating conditions

**R410A**

Cond. temp. in °C (tc)	Evaporating temperature in °C (to)							
	-25	-20	-15	-10	-5	0	5	10

**Cooling capacity in W**

30	4 860	6 358	8 185	10 368	12 934	15 912	19 328	23 211	-
35	4 369	5 819	7 576	9 667	12 119	14 960	18 217	21 917	-
40	-	5 276	6 961	8 957	11 293	13 994	17 088	20 603	-
45	-	-	6 326	8 225	10 440	12 999	15 927	19 253	-
50	-	-	-	7 455	9 547	11 958	14 716	17 848	-
55	-	-	-	-	8 594	10 852	13 433	16 363	-
60	-	-	-	-	-	9 653	12 046	14 761	-
65	-	-	-	-	-	-	10 493	12 968	-

**Power input in W**

30	3 247	3 206	3 173	3 145	3 119	3 091	3 057	3 013	-
35	3 705	3 649	3 601	3 559	3 519	3 477	3 429	3 372	-
40	-	4 136	4 075	4 020	3 967	3 912	3 852	3 783	-
45	-	-	4 600	4 533	4 468	4 403	4 332	4 253	-
50	-	-	-	5 102	5 028	4 953	4 872	4 784	-
55	-	-	-	-	5 651	5 567	5 479	5 383	-
60	-	-	-	-	-	6 251	6 156	6 055	-
65	-	-	-	-	-	-	6 910	6 803	-

**Current consumption in A**

30	5.31	5.31	5.31	5.30	5.28	5.24	5.17	5.08	-
35	5.72	5.71	5.71	5.69	5.67	5.63	5.58	5.50	-
40	-	6.17	6.15	6.13	6.11	6.07	6.02	5.95	-
45	-	-	6.67	6.64	6.61	6.57	6.52	6.45	-
50	-	-	-	7.23	7.19	7.15	7.09	7.03	-
55	-	-	-	-	7.87	7.82	7.76	7.70	-
60	-	-	-	-	-	8.60	8.54	8.47	-
65	-	-	-	-	-	-	9.44	9.37	-

**Mass flow in kg/h**

30	102	131	166	208	256	312	375	446	-
35	96	126	162	204	252	308	371	442	-
40	-	121	157	199	248	303	366	437	-
45	-	-	151	194	243	299	362	432	-
50	-	-	-	188	237	293	356	426	-
55	-	-	-	-	229	286	349	419	-
60	-	-	-	-	-	277	340	411	-
65	-	-	-	-	-	-	329	400	-

**Coefficient of performance (C.O.P.)**

30	1.50	1.98	2.58	3.30	4.15	5.15	6.32	7.70	-
35	1.18	1.59	2.10	2.72	3.44	4.30	5.31	6.50	-
40	-	1.28	1.71	2.23	2.85	3.58	4.44	5.45	-
45	-	-	1.38	1.81	2.34	2.95	3.68	4.53	-
50	-	-	-	1.46	1.90	2.41	3.02	3.73	-
55	-	-	-	-	1.52	1.95	2.45	3.04	-
60	-	-	-	-	-	1.54	1.96	2.44	-
65	-	-	-	-	-	-	1.52	1.91	-

**Nominal performance at to = 5 °C, tc = 50 °C**

Cooling capacity	14 716	W
Power input	4 872	W
Current consumption	7.09	A
Mass flow	356	kg/h
C.O.P.	3.02	

**Pressure switch settings**

Maximum HP switch setting	45	bar(g)
Minimum LP switch setting	1.5	bar(g)
LP pump down setting	2.3	bar(g)

**Sound power data**

Sound power level	70	dB(A)
With acoustic hood	65	dB(A)

to: Evaporating temperature at dew point

tc: Condensing temperature at dew point

Rating conditions : Superheat = 10 K , Subcooling = 0 K

All performance data +/- 5%

Danfoss can accept no responsibility for possible errors in catalogues, brochures and other printed material. Danfoss reserves the right to alter its products without notice. This also applies to products already on order provided that such alternations can be made without subsequential changes being necessary in specifications already agreed. All trademarks in this material are property of the respective companies. Danfoss and the Danfoss logotype are trademarks of Danfoss A/S. All rights reserved.

Performance data at 60 Hz, ARI rating conditions

R410A

Cond. temp. in °C (tc)	Evaporating temperature in °C (to)							
	-25	-20	-15	-10	-5	0	5	10

Cooling capacity in W

30	5 248	6 859	8 821	11 163	13 913	17 102	20 757	24 907	-
35	-	6 318	8 216	10 472	13 115	16 174	19 677	23 654	-
40	-	-	7 605	9 775	12 309	15 237	18 587	22 389	-
45	-	-	6 975	9 056	11 481	14 277	17 473	21 099	-
50	-	-	-	8 303	10 617	13 280	16 321	19 770	-
55	-	-	-	-	9 703	12 232	15 117	18 388	-
60	-	-	-	-	-	11 120	13 848	16 939	-
65	-	-	-	-	-	-	12 499	15 409	-

Power input in W

30	3 247	3 206	3 173	3 145	3 119	3 091	3 057	3 013	-
35	-	3 649	3 601	3 559	3 519	3 477	3 429	3 372	-
40	-	-	4 075	4 020	3 967	3 912	3 852	3 783	-
45	-	-	4 600	4 533	4 468	4 403	4 332	4 253	-
50	-	-	-	5 102	5 028	4 953	4 872	4 784	-
55	-	-	-	-	5 651	5 567	5 479	5 383	-
60	-	-	-	-	-	6 251	6 156	6 055	-
65	-	-	-	-	-	-	6 910	6 803	-

Current consumption in A

30	5.31	5.31	5.31	5.30	5.28	5.24	5.17	5.08	-
35	-	5.71	5.71	5.69	5.67	5.63	5.58	5.50	-
40	-	-	6.15	6.13	6.11	6.07	6.02	5.95	-
45	-	-	6.67	6.64	6.61	6.57	6.52	6.45	-
50	-	-	-	7.23	7.19	7.15	7.09	7.03	-
55	-	-	-	-	7.87	7.82	7.76	7.70	-
60	-	-	-	-	-	8.60	8.54	8.47	-
65	-	-	-	-	-	-	9.44	9.37	-

Mass flow in kg/h

30	101	130	165	206	255	310	373	443	-
35	-	125	161	202	251	306	368	439	-
40	-	-	156	198	246	301	364	434	-
45	-	-	150	193	241	297	359	429	-
50	-	-	-	186	235	291	353	423	-
55	-	-	-	-	228	284	346	416	-
60	-	-	-	-	-	275	338	408	-
65	-	-	-	-	-	-	327	397	-

Coefficient of performance (C.O.P.)

30	1.62	2.14	2.78	3.55	4.46	5.53	6.79	8.27	-
35	-	1.73	2.28	2.94	3.73	4.65	5.74	7.02	-
40	-	-	1.87	2.43	3.10	3.89	4.83	5.92	-
45	-	-	1.52	2.00	2.57	3.24	4.03	4.96	-
50	-	-	-	1.63	2.11	2.68	3.35	4.13	-
55	-	-	-	-	1.72	2.20	2.76	3.42	-
60	-	-	-	-	-	1.78	2.25	2.80	-
65	-	-	-	-	-	-	1.81	2.27	-

Nominal performance at to = 7.2 °C, tc = 54.4 °C

Cooling capacity	16 664	W
Power input	5 362	W
Current consumption	7.65	A
Mass flow	377	kg/h
C.O.P.	3.11	

Pressure switch settings

Maximum HP switch setting	45	bar(g)
Minimum LP switch setting	1.5	bar(g)
LP pump down setting	2.3	bar(g)

Sound power data

Sound power level	70	dB(A)
With acoustic hood	65	dB(A)

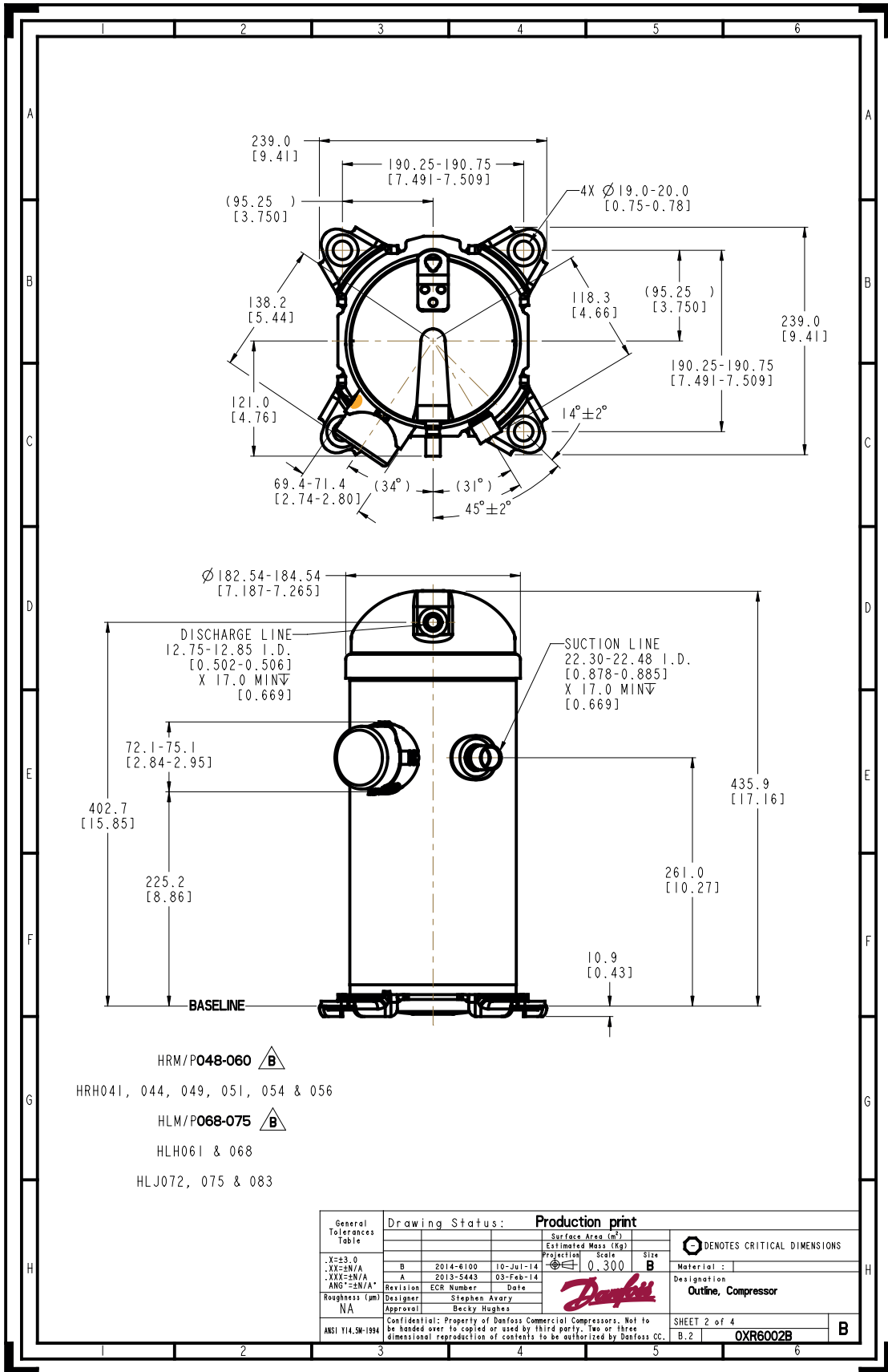
to: Evaporating temperature at dew point

tc: Condensing temperature at dew point

Rating conditions : Superheat = 11.1 K , Subcooling = 8.3 K

All performance data +/- 5%

Danfoss can accept no responsibility for possible errors in catalogues, brochures and other printed material. Danfoss reserves the right to alter its products without notice. This also applies to products already on order provided that such alternations can be made without subsequential changes being necessary in specifications already agreed. All trademarks in this material are property of the respective companies. Danfoss and the Danfoss logotype are trademarks of Danfoss A/S. All rights reserved.

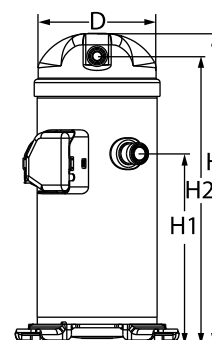


Danfoss can accept no responsibility for possible errors in catalogues, brochures and other printed material. Danfoss reserves the right to alter its products without notice. This also applies to products already on order provided that such alternations can be made without consequential changes being necessary in specifications already agreed. All trademarks in this material are property of the respective companies. Danfoss, the Danfoss logotype and Maneurop are trademarks of Danfoss A/S. All rights reserved.

**General Characteristics**

Model number (on compressor nameplate)		<b>HRH056U4LQ6</b>
Code number for Singlepack*		121U3121
Code number for Industrial pack**		121U3120
Drawing number		0XR6089B-3
Suction and discharge connections		Rotolock
Suction connection		3/4 " Rotolock
Discharge connection		1/2 " Rotolock
Oil sight glass		None
Oil equalisation connection		None
Oil drain connection		None
LP gauge port		None
IPR valve		Yes
Swept volume		54.11 cm <sup>3</sup> /rev
Displacement @ Nominal speed		9.4 m <sup>3</sup> /h @ 2900 rpm - 11.4 m <sup>3</sup> /h @ 3500 rpm
Net weight		37.19 kg
Oil charge		1.57 litre, PVE --
Maximum system test pressure Low Side / High side		- bar(g) / - bar(g)
Maximum differential test pressure		- bar
Maximum number of starts per hour		-
Refrigerant charge limit		5.44 kg
Approved refrigerants		R410A

**Dimensions**

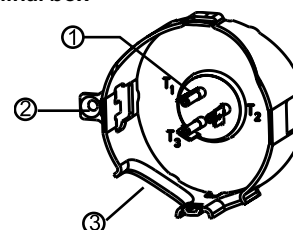


D=183.5 mm  
H=455 mm  
H1=280 mm  
H2=422 mm  
H3=- mm

**Electrical Characteristics**

Nominal voltage	380-415V/3/50Hz - 460V/3/60Hz
Voltage range	342-457 V @ 50Hz - 414-506 V @ 60Hz
Winding resistance between phases 1-2 +/- 7% at 25°C	2.316 Ω
Winding resistance between phases 1-3 +/- 7% at 25°C	2.330 Ω
Winding resistance between phases 2-3 +/- 7% at 25°C	2.360 Ω
Rated Load Amps (RLA)	9.6 A
Maximum Continuous Current (MCC)	15 A
Locked Rotor Amps (LRA)	70 A
Motor protection	Internal overload protector

**Terminal box**



IP22

- 1: Spade connectors 1/4"
- 2: Earth connection
- 3: Power cable passage

**Recommended Installation torques**

Oil sight glass	52.5 Nm
Power connections / Earth connection	0 Nm / 0 Nm

**Parts shipped with compressor**

Mounting kit with grommets and sleeves
Initial oil charge
Installation instructions

**Approvals** : CE certified, UL certified (file SA11565), -

\*Singlepack: Compressor in cardboard box

\*\*Industrial pack: 12 or 16 Unboxed compressors on pallet



**Rotolock accessories, suction side** **Code no.**

**Rotolock accessories, discharge side** **Code no.**

**Rotolock accessories, sets** **Code no.**

**Oil / lubricants** **Code no.**

PVE lubricant, 320HV (FVC68D), 1 litre can	120Z5034
--	----------

**Crankcase heaters** **Code no.**

Belt type crankcase heater, 50 W, 230 V, CE mark, UL	120Z0057
Belt type crankcase heater, 50 W, 400 V, CE mark, UL	120Z0058

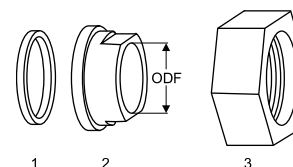
**Miscellaneous accessories** **Code no.**

Acoustic hood	120Z5044
Discharge thermostat kit	7750009
IP54 upgrade kit	118U0056

**Spare parts** **Code no.**

Mounting kit for 1 scroll compressor including 4 grommets, 4 sleeves, 4 bolts, 4 washers	120Z5005
Mounting kit, including 1 bolt, 1 sleeve, 1 washer	120Z5031
No translation for 120Z5015	120Z5015

**Gaskets, sleeves and nuts**



- 1: Gasket
- 2: Solder sleeve
- 3: Rotolock nut

Performance data at 50 Hz, EN 12900 rating conditions

R410A

Cond. temp. in °C (tc)	Evaporating temperature in °C (to)							
	-25	-20	-15	-10	-5	0	5	10

Cooling capacity in W

30	4 886	6 157	7 581	9 235	11 196	13 543	16 354	19 708	-
35	4 357	5 698	7 124	8 714	10 543	12 689	15 230	18 244	-
40	-	5 090	6 569	8 145	9 894	11 892	14 216	16 944	-
45	-	-	5 864	7 476	9 194	11 095	13 255	15 749	-
50	-	-	-	6 655	8 390	10 243	12 287	14 597	-
55	-	-	-	-	7 428	9 276	11 251	13 425	-
60	-	-	-	-	-	8 135	10 079	12 158	-
65	-	-	-	-	-	-	8 686	10 693	-

Power input in W

30	2 514	2 544	2 565	2 572	2 561	2 529	2 471	2 385	-
35	2 801	2 837	2 865	2 882	2 883	2 865	2 824	2 755	-
40	-	3 181	3 214	3 238	3 248	3 240	3 212	3 158	-
45	-	-	3 618	3 645	3 661	3 661	3 642	3 601	-
50	-	-	-	4 110	4 129	4 134	4 122	4 089	-
55	-	-	-	-	4 658	4 665	4 656	4 629	-
60	-	-	-	-	-	5 260	5 252	5 228	-
65	-	-	-	-	-	-	5 916	5 891	-

Current consumption in A

30	5.18	5.20	5.25	5.31	5.31	5.21	4.98	4.55	-
35	5.45	5.50	5.60	5.71	5.77	5.75	5.59	5.24	-
40	-	5.88	6.00	6.14	6.24	6.25	6.14	5.86	-
45	-	-	6.50	6.64	6.75	6.79	6.70	6.45	-
50	-	-	-	7.28	7.37	7.40	7.31	7.07	-
55	-	-	-	-	8.14	8.13	8.02	7.76	-
60	-	-	-	-	-	9.05	8.88	8.57	-
65	-	-	-	-	-	-	9.94	9.56	-

Mass flow in kg/h

30	102	127	154	185	222	266	319	382	-
35	96	123	152	184	219	261	310	369	-
40	-	116	148	181	217	258	305	359	-
45	-	-	140	176	214	255	301	353	-
50	-	-	-	167	208	251	297	349	-
55	-	-	-	-	198	244	292	344	-
60	-	-	-	-	-	233	285	338	-
65	-	-	-	-	-	-	273	330	-

Coefficient of performance (C.O.P.)

30	1.94	2.42	2.96	3.59	4.37	5.36	6.62	8.26	-
35	1.56	2.01	2.49	3.02	3.66	4.43	5.39	6.62	-
40	-	1.60	2.04	2.52	3.05	3.67	4.43	5.36	-
45	-	-	1.62	2.05	2.51	3.03	3.64	4.37	-
50	-	-	-	1.62	2.03	2.48	2.98	3.57	-
55	-	-	-	-	1.59	1.99	2.42	2.90	-
60	-	-	-	-	-	1.55	1.92	2.33	-
65	-	-	-	-	-	-	1.47	1.82	-

Nominal performance at to = 5 °C, tc = 50 °C

Cooling capacity	12 287	W
Power input	4 122	W
Current consumption	7.31	A
Mass flow	297	kg/h
C.O.P.	2.98	

Pressure switch settings

Maximum HP switch setting	45	bar(g)
Minimum LP switch setting	1.5	bar(g)
LP pump down setting	2.3	bar(g)

Sound power data

Sound power level	67	dB(A)
With acoustic hood	62	dB(A)

to: Evaporating temperature at dew point

tc: Condensing temperature at dew point

Rating conditions : Superheat = 10 K , Subcooling = 0 K

All performance data +/- 5%

Danfoss can accept no responsibility for possible errors in catalogues, brochures and other printed material. Danfoss reserves the right to alter its products without notice. This also applies to products already on order provided that such alternations can be made without subsequential changes being necessary in specifications already agreed. All trademarks in this material are property of the respective companies. Danfoss and the Danfoss logotype are trademarks of Danfoss A/S. All rights reserved.

**Performance data at 50 Hz, ARI rating conditions**
**R410A**

Cond. temp. in °C (tc)	Evaporating temperature in °C (to)							
	-25	-20	-15	-10	-5	0	5	10

**Cooling capacity in W**

30	5 277	6 643	8 170	9 943	12 044	14 556	17 563	21 148	-
35	-	6 186	7 726	9 439	11 409	13 719	16 451	19 690	-
40	-	-	7 177	8 888	10 784	12 948	15 463	18 413	-
45	-	-	6 466	8 232	10 111	12 186	14 541	17 259	-
50	-	-	-	7 412	9 331	11 375	13 626	16 169	-
55	-	-	-	-	8 387	10 456	12 661	15 086	-
60	-	-	-	-	-	9 371	11 587	13 951	-
65	-	-	-	-	-	-	10 346	12 706	-

**Power input in W**

30	2 514	2 544	2 565	2 572	2 561	2 529	2 471	2 385	-
35	-	2 837	2 865	2 882	2 883	2 865	2 824	2 755	-
40	-	-	3 214	3 238	3 248	3 240	3 212	3 158	-
45	-	-	3 618	3 645	3 661	3 661	3 642	3 601	-
50	-	-	-	4 110	4 129	4 134	4 122	4 089	-
55	-	-	-	-	4 658	4 665	4 656	4 629	-
60	-	-	-	-	-	5 260	5 252	5 228	-
65	-	-	-	-	-	-	5 916	5 891	-

**Current consumption in A**

30	5.18	5.20	5.25	5.31	5.31	5.21	4.98	4.55	-
35	-	5.50	5.60	5.71	5.77	5.75	5.59	5.24	-
40	-	-	6.00	6.14	6.24	6.25	6.14	5.86	-
45	-	-	6.50	6.64	6.75	6.79	6.70	6.45	-
50	-	-	-	7.28	7.37	7.40	7.31	7.07	-
55	-	-	-	-	8.14	8.13	8.02	7.76	-
60	-	-	-	-	-	9.05	8.88	8.57	-
65	-	-	-	-	-	-	9.94	9.56	-

**Mass flow in kg/h**

30	102	126	153	184	220	264	317	379	-
35	-	123	151	182	218	259	308	366	-
40	-	-	147	180	216	256	303	357	-
45	-	-	139	175	213	253	299	351	-
50	-	-	-	166	207	249	295	346	-
55	-	-	-	-	197	243	290	342	-
60	-	-	-	-	-	232	283	336	-
65	-	-	-	-	-	-	271	327	-

**Coefficient of performance (C.O.P.)**

30	2.10	2.61	3.19	3.87	4.70	5.76	7.11	8.87	-
35	-	2.18	2.70	3.28	3.96	4.79	5.83	7.15	-
40	-	-	2.23	2.75	3.32	4.00	4.81	5.83	-
45	-	-	1.79	2.26	2.76	3.33	3.99	4.79	-
50	-	-	-	1.80	2.26	2.75	3.31	3.95	-
55	-	-	-	-	1.80	2.24	2.72	3.26	-
60	-	-	-	-	-	1.78	2.21	2.67	-
65	-	-	-	-	-	-	1.75	2.16	-

**Nominal performance at to = 7.2 °C, tc = 54.4 °C**

Cooling capacity	13 821	W
Power input	4 580	W
Current consumption	7.83	A
Mass flow	313	kg/h
C.O.P.	3.02	

**Pressure switch settings**

Maximum HP switch setting	45	bar(g)
Minimum LP switch setting	1.5	bar(g)
LP pump down setting	2.3	bar(g)

**Sound power data**

Sound power level	67	dB(A)
With acoustic hood	62	dB(A)

to: Evaporating temperature at dew point

tc: Condensing temperature at dew point

Rating conditions : Superheat = 11.1 K , Subcooling = 8.3 K

All performance data +/- 5%

Danfoss can accept no responsibility for possible errors in catalogues, brochures and other printed material. Danfoss reserves the right to alter its products without notice. This also applies to products already on order provided that such alternations can be made without subsequential changes being necessary in specifications already agreed. All trademarks in this material are property of the respective companies. Danfoss and the Danfoss logotype are trademarks of Danfoss A/S. All rights reserved.

Performance data at 60 Hz, EN 12900 rating conditions

R410A

Cond. temp. in °C (tc)	Evaporating temperature in °C (to)							
	-25	-20	-15	-10	-5	0	5	10

Cooling capacity in W

30	4 860	6 358	8 185	10 368	12 934	15 912	19 328	23 211	-
35	4 369	5 819	7 576	9 667	12 119	14 960	18 217	21 917	-
40	-	5 276	6 961	8 957	11 293	13 994	17 088	20 603	-
45	-	-	6 326	8 225	10 440	12 999	15 927	19 253	-
50	-	-	-	7 455	9 547	11 958	14 716	17 848	-
55	-	-	-	-	8 594	10 852	13 433	16 363	-
60	-	-	-	-	-	9 653	12 046	14 761	-
65	-	-	-	-	-	-	10 493	12 968	-

Power input in W

30	3 247	3 206	3 173	3 145	3 119	3 091	3 057	3 013	-
35	3 705	3 649	3 601	3 559	3 519	3 477	3 429	3 372	-
40	-	4 136	4 075	4 020	3 967	3 912	3 852	3 783	-
45	-	-	4 600	4 533	4 468	4 403	4 332	4 253	-
50	-	-	-	5 102	5 028	4 953	4 872	4 784	-
55	-	-	-	-	5 651	5 567	5 479	5 383	-
60	-	-	-	-	-	6 251	6 156	6 055	-
65	-	-	-	-	-	-	6 910	6 803	-

Current consumption in A

30	5.31	5.31	5.31	5.30	5.28	5.24	5.17	5.08	-
35	5.72	5.71	5.71	5.69	5.67	5.63	5.58	5.50	-
40	-	6.17	6.15	6.13	6.11	6.07	6.02	5.95	-
45	-	-	6.67	6.64	6.61	6.57	6.52	6.45	-
50	-	-	-	7.23	7.19	7.15	7.09	7.03	-
55	-	-	-	-	7.87	7.82	7.76	7.70	-
60	-	-	-	-	-	8.60	8.54	8.47	-
65	-	-	-	-	-	-	9.44	9.37	-

Mass flow in kg/h

30	102	131	166	208	256	312	375	446	-
35	96	126	162	204	252	308	371	442	-
40	-	121	157	199	248	303	366	437	-
45	-	-	151	194	243	299	362	432	-
50	-	-	-	188	237	293	356	426	-
55	-	-	-	-	229	286	349	419	-
60	-	-	-	-	-	277	340	411	-
65	-	-	-	-	-	-	329	400	-

Coefficient of performance (C.O.P.)

30	1.50	1.98	2.58	3.30	4.15	5.15	6.32	7.70	-
35	1.18	1.59	2.10	2.72	3.44	4.30	5.31	6.50	-
40	-	1.28	1.71	2.23	2.85	3.58	4.44	5.45	-
45	-	-	1.38	1.81	2.34	2.95	3.68	4.53	-
50	-	-	-	1.46	1.90	2.41	3.02	3.73	-
55	-	-	-	-	1.52	1.95	2.45	3.04	-
60	-	-	-	-	-	1.54	1.96	2.44	-
65	-	-	-	-	-	-	1.52	1.91	-

Nominal performance at to = 5 °C, tc = 50 °C

Cooling capacity	14 716	W
Power input	4 872	W
Current consumption	7.09	A
Mass flow	356	kg/h
C.O.P.	3.02	

Pressure switch settings

Maximum HP switch setting	45	bar(g)
Minimum LP switch setting	1.5	bar(g)
LP pump down setting	2.3	bar(g)

Sound power data

Sound power level	70	dB(A)
With acoustic hood	65	dB(A)

to: Evaporating temperature at dew point

tc: Condensing temperature at dew point

Rating conditions : Superheat = 10 K , Subcooling = 0 K

All performance data +/- 5%

Danfoss can accept no responsibility for possible errors in catalogues, brochures and other printed material. Danfoss reserves the right to alter its products without notice. This also applies to products already on order provided that such alternations can be made without subsequential changes being necessary in specifications already agreed. All trademarks in this material are property of the respective companies. Danfoss and the Danfoss logotype are trademarks of Danfoss A/S. All rights reserved.

**Performance data at 60 Hz, ARI rating conditions**
**R410A**

Cond. temp. in °C (tc)	Evaporating temperature in °C (to)							
	-25	-20	-15	-10	-5	0	5	10

**Cooling capacity in W**

30	5 248	6 859	8 821	11 163	13 913	17 102	20 757	24 907	-
35	-	6 318	8 216	10 472	13 115	16 174	19 677	23 654	-
40	-	-	7 605	9 775	12 309	15 237	18 587	22 389	-
45	-	-	6 975	9 056	11 481	14 277	17 473	21 099	-
50	-	-	-	8 303	10 617	13 280	16 321	19 770	-
55	-	-	-	-	9 703	12 232	15 117	18 388	-
60	-	-	-	-	-	11 120	13 848	16 939	-
65	-	-	-	-	-	-	12 499	15 409	-

**Power input in W**

30	3 247	3 206	3 173	3 145	3 119	3 091	3 057	3 013	-
35	-	3 649	3 601	3 559	3 519	3 477	3 429	3 372	-
40	-	-	4 075	4 020	3 967	3 912	3 852	3 783	-
45	-	-	4 600	4 533	4 468	4 403	4 332	4 253	-
50	-	-	-	5 102	5 028	4 953	4 872	4 784	-
55	-	-	-	-	5 651	5 567	5 479	5 383	-
60	-	-	-	-	-	6 251	6 156	6 055	-
65	-	-	-	-	-	-	6 910	6 803	-

**Current consumption in A**

30	5.31	5.31	5.31	5.30	5.28	5.24	5.17	5.08	-
35	-	5.71	5.71	5.69	5.67	5.63	5.58	5.50	-
40	-	-	6.15	6.13	6.11	6.07	6.02	5.95	-
45	-	-	6.67	6.64	6.61	6.57	6.52	6.45	-
50	-	-	-	7.23	7.19	7.15	7.09	7.03	-
55	-	-	-	-	7.87	7.82	7.76	7.70	-
60	-	-	-	-	-	8.60	8.54	8.47	-
65	-	-	-	-	-	-	9.44	9.37	-

**Mass flow in kg/h**

30	101	130	165	206	255	310	373	443	-
35	-	125	161	202	251	306	368	439	-
40	-	-	156	198	246	301	364	434	-
45	-	-	150	193	241	297	359	429	-
50	-	-	-	186	235	291	353	423	-
55	-	-	-	-	228	284	346	416	-
60	-	-	-	-	-	275	338	408	-
65	-	-	-	-	-	-	327	397	-

**Coefficient of performance (C.O.P.)**

30	1.62	2.14	2.78	3.55	4.46	5.53	6.79	8.27	-
35	-	1.73	2.28	2.94	3.73	4.65	5.74	7.02	-
40	-	-	1.87	2.43	3.10	3.89	4.83	5.92	-
45	-	-	1.52	2.00	2.57	3.24	4.03	4.96	-
50	-	-	-	1.63	2.11	2.68	3.35	4.13	-
55	-	-	-	-	1.72	2.20	2.76	3.42	-
60	-	-	-	-	-	1.78	2.25	2.80	-
65	-	-	-	-	-	-	1.81	2.27	-

**Nominal performance at to = 7.2 °C, tc = 54.4 °C**

Cooling capacity	16 664	W
Power input	5 362	W
Current consumption	7.65	A
Mass flow	377	kg/h
C.O.P.	3.11	

**Pressure switch settings**

Maximum HP switch setting	45	bar(g)
Minimum LP switch setting	1.5	bar(g)
LP pump down setting	2.3	bar(g)

**Sound power data**

Sound power level	70	dB(A)
With acoustic hood	65	dB(A)

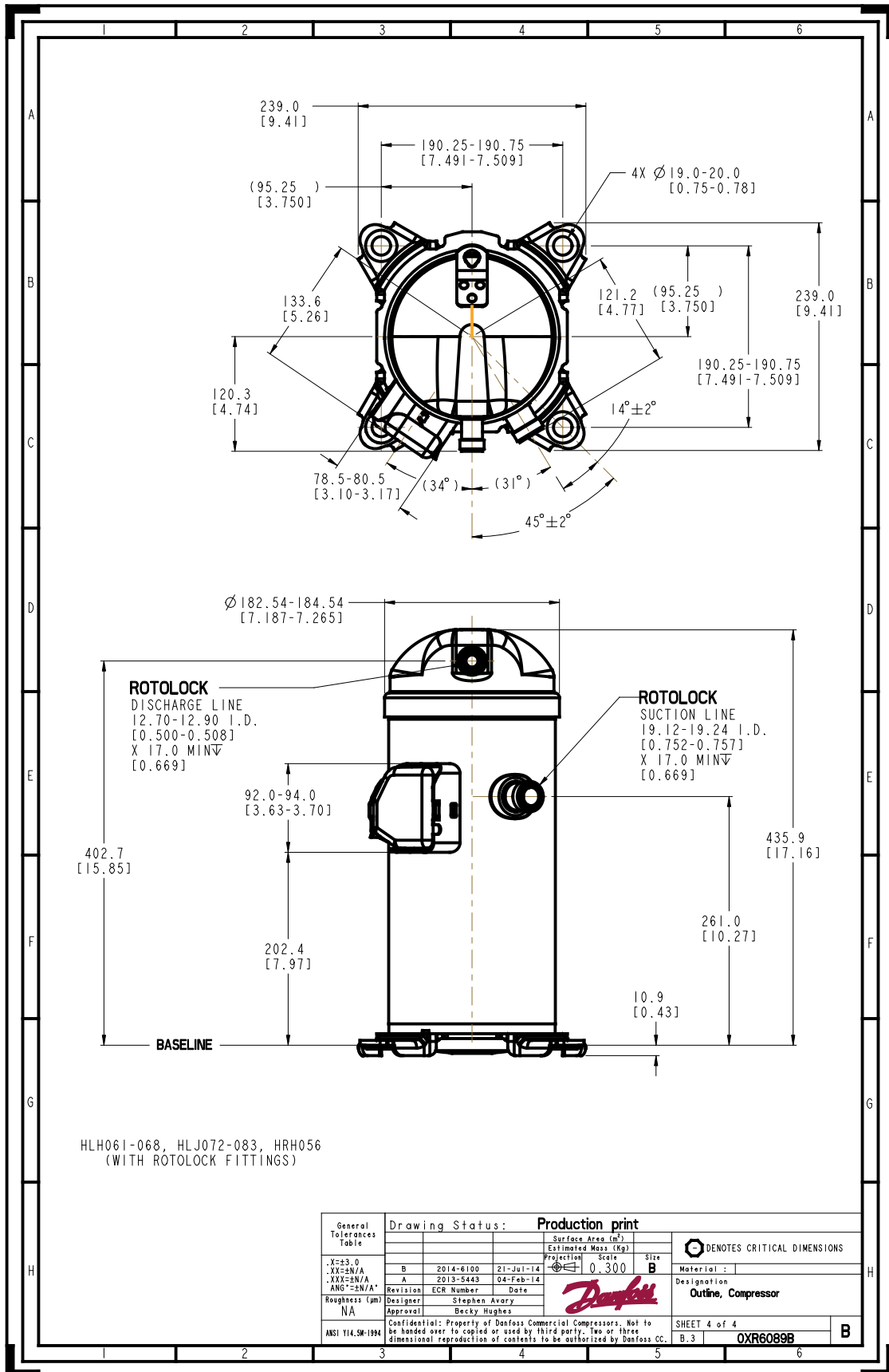
to: Evaporating temperature at dew point

tc: Condensing temperature at dew point

Rating conditions : Superheat = 11.1 K , Subcooling = 8.3 K

All performance data +/- 5%

Danfoss can accept no responsibility for possible errors in catalogues, brochures and other printed material. Danfoss reserves the right to alter its products without notice. This also applies to products already on order provided that such alternations can be made without subsequential changes being necessary in specifications already agreed. All trademarks in this material are property of the respective companies. Danfoss and the Danfoss logotype are trademarks of Danfoss A/S. All rights reserved.



Danfoss can accept no responsibility for possible errors in catalogues, brochures and other printed material. Danfoss reserves the right to alter its products without notice. This also applies to products already on order provided that such alternations can be made without consequential changes being necessary in specifications already agreed. All trademarks in this material are property of the respective companies. Danfoss, the Danfoss logotype and Maneurop are trademarks of Danfoss A/S. All rights reserved.