

Datasheets

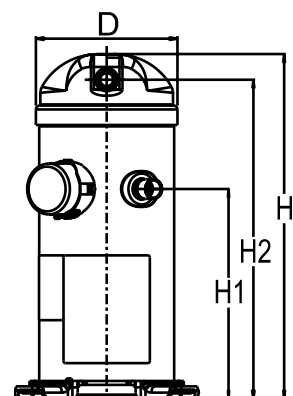
Danfoss scroll compressors **H series**



General Characteristics

| | | |
|---------------------------------------------------|--|-----------------------------------------------------------------------|
| Model number (on compressor nameplate) | | HRM047U4LP6 |
| Code number for Singlepack* | | 120U1051 |
| Code number for Industrial pack** | | 120U1048 |
| Drawing number | | 0XC6301B-3 |
| Suction and discharge connections | | Brazed |
| Suction connection | | " ODF |
| Oil sight glass | | None |
| Oil equalisation connection | | None |
| Oil drain connection | | None |
| LP gauge port | | None |
| IPR valve | | Yes |
| Swept volume | | 64.07 cm ³ /rev |
| Displacement @ Nominal speed | | 11.2 m ³ /h @ 2900 rpm - 13.4 m ³ /h @ 3500 rpm |
| Net weight | | 30.84 kg |
| Oil charge | | 1.33 litre, Alkylbenzene - - |
| Maximum system test pressure Low Side / High side | | - bar(g) / - bar(g) |
| Maximum differential test pressure | | - bar |
| Maximum number of starts per hour | | - |
| Refrigerant charge limit | | 3.63 kg |
| Approved refrigerants | | R22 |

Dimensions

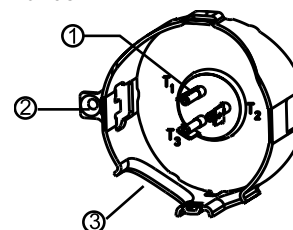


D=164.5 mm
H=439 mm
H1=275 mm
H2=405 mm
H3=- mm

Electrical Characteristics

| | |
|------------------------------------------------------|-------------------------------------|
| Nominal voltage | 380-415V/3/50Hz - 460V/3/60Hz |
| Voltage range | 342-457 V @ 50Hz - 414-506 V @ 60Hz |
| Winding resistance between phases 1-2 +/- 7% at 25°C | 3.873 Ω |
| Winding resistance between phases 1-3 +/- 7% at 25°C | 3.870 Ω |
| Winding resistance between phases 2-3 +/- 7% at 25°C | 2.850 Ω |
| Rated Load Amps (RLA) | 7.7 A |
| Maximum Continuous Current (MCC) | 12 A |
| Locked Rotor Amps (LRA) | 50 A |
| Motor protection | Internal overload protector |

Terminal box



IP22
1: Spade connectors 1/4"
2: Earth connection
3: Power cable passage

Recommended Installation torques

| | |
|--------------------------------------|-------------|
| Oil sight glass | 52.5 Nm |
| Power connections / Earth connection | 0 Nm / 0 Nm |

Parts shipped with compressor

| |
|----------------------------------------|
| Mounting kit with grommets and sleeves |
| Initial oil charge |
| Installation instructions |

Approvals : CE certified, UL certified (file SA11565), -

*Singlepack: Compressor in cardboard box

**Industrial pack: 12 or 16 Unboxed compressors on pallet

Rotolock accessories, suction side

Code no.

| | |
|--------------------|--|
| No translation for | |
| No translation for | |
| No translation for | |
| No translation for | |
| No translation for | |
| No translation for | |

Rotolock accessories, discharge side

Code no.

| | |
|--------------------|--|
| No translation for | |
| No translation for | |
| No translation for | |
| No translation for | |
| No translation for | |
| No translation for | |

Rotolock accessories, sets

Code no.

| | |
|--------------------|--|
| No translation for | |
| No translation for | |
| No translation for | |
| No translation for | |

Oil / lubricants

Code no.

Crankcase heaters

Code no.

| | |
|------------------------------------------------------|----------|
| Belt type crankcase heater, 40 W, 230 V, CE mark, UL | 120Z0055 |
| Belt type crankcase heater, 40 W, 400 V, CE mark, UL | 120Z0056 |

Miscellaneous accessories

Code no.

| | |
|--------------------------|----------|
| Acoustic hood | 120Z5043 |
| Discharge thermostat kit | 7750009 |
| IP54 upgrade kit | 118U0056 |

Spare parts

Code no.

| | |
|------------------------------------------------------------------------------------------|----------|
| Mounting kit for 1 scroll compressor including 4 grommets, 4 sleeves, 4 bolts, 4 washers | 120Z5005 |
| Mounting kit, including 1 bolt, 1 sleeve, 1 washer | 120Z5031 |
| No translation for 120Z5015 | 120Z5015 |

Performance data at 50 Hz, EN 12900 rating conditions
R22

| Cond. temp. in °C (tc) | Evaporating temperature in °C (to) | | | | | | | | |
|---------------------------|------------------------------------|-----|-----|-----|----|---|---|----|----|
| | -25 | -20 | -15 | -10 | -5 | 0 | 5 | 10 | 15 |

Cooling capacity in W

| | | | | | | | | | |
|----|-------|-------|-------|-------|-------|--------|--------|--------|---|
| 30 | 4 182 | 4 885 | 5 919 | 7 262 | 8 895 | 10 797 | 12 949 | 15 328 | - |
| 35 | 3 912 | 4 607 | 5 611 | 6 903 | 8 463 | 10 270 | 12 305 | 14 546 | - |
| 40 | - | 4 269 | 5 261 | 6 518 | 8 022 | 9 752 | 11 687 | 13 808 | - |
| 45 | - | - | 4 847 | 6 087 | 7 552 | 9 221 | 11 074 | 13 091 | - |
| 50 | - | - | - | 5 589 | 7 031 | 8 656 | 10 444 | 12 374 | - |
| 55 | - | - | - | - | 6 440 | 8 037 | 9 775 | 11 635 | - |
| 60 | - | - | - | - | - | 7 343 | 9 048 | 10 853 | - |
| 65 | - | - | - | - | - | - | 8 241 | 10 007 | - |

Power input in W

| | | | | | | | | | |
|----|-------|-------|-------|-------|-------|-------|-------|-------|---|
| 30 | 2 053 | 2 038 | 2 032 | 2 023 | 2 003 | 1 961 | 1 888 | 1 774 | - |
| 35 | 2 372 | 2 323 | 2 295 | 2 277 | 2 261 | 2 235 | 2 191 | 2 118 | - |
| 40 | - | 2 673 | 2 612 | 2 574 | 2 549 | 2 528 | 2 501 | 2 458 | - |
| 45 | - | - | 2 998 | 2 928 | 2 884 | 2 856 | 2 834 | 2 809 | - |
| 50 | - | - | - | 3 355 | 3 280 | 3 234 | 3 207 | 3 188 | - |
| 55 | - | - | - | - | 3 754 | 3 678 | 3 633 | 3 610 | - |
| 60 | - | - | - | - | - | 4 203 | 4 129 | 4 090 | - |
| 65 | - | - | - | - | - | - | 4 711 | 4 643 | - |

Current consumption in A

| | | | | | | | | | |
|----|------|------|------|------|------|------|------|------|---|
| 30 | 5.06 | 4.79 | 4.73 | 4.78 | 4.86 | 4.87 | 4.71 | 4.30 | - |
| 35 | 5.66 | 5.23 | 5.06 | 5.05 | 5.10 | 5.12 | 5.02 | 4.70 | - |
| 40 | - | 5.78 | 5.48 | 5.38 | 5.39 | 5.40 | 5.34 | 5.10 | - |
| 45 | - | - | 6.00 | 5.80 | 5.75 | 5.75 | 5.70 | 5.52 | - |
| 50 | - | - | - | 6.33 | 6.20 | 6.16 | 6.12 | 5.99 | - |
| 55 | - | - | - | - | 6.76 | 6.67 | 6.62 | 6.52 | - |
| 60 | - | - | - | - | - | 7.28 | 7.21 | 7.12 | - |
| 65 | - | - | - | - | - | - | 7.91 | 7.82 | - |

Mass flow in kg/h

| | | | | | | | | | |
|----|----|-----|-----|-----|-----|-----|-----|-----|---|
| 30 | 91 | 105 | 126 | 152 | 184 | 221 | 262 | 308 | - |
| 35 | 88 | 103 | 124 | 150 | 182 | 218 | 258 | 302 | - |
| 40 | - | 100 | 121 | 148 | 180 | 216 | 255 | 298 | - |
| 45 | - | - | 117 | 144 | 176 | 212 | 252 | 294 | - |
| 50 | - | - | - | 139 | 172 | 209 | 248 | 291 | - |
| 55 | - | - | - | - | 165 | 203 | 244 | 287 | - |
| 60 | - | - | - | - | - | 196 | 238 | 281 | - |
| 65 | - | - | - | - | - | - | 229 | 275 | - |

Coefficient of performance (C.O.P.)

| | | | | | | | | | |
|----|------|------|------|------|------|------|------|------|---|
| 30 | 2.04 | 2.40 | 2.91 | 3.59 | 4.44 | 5.51 | 6.86 | 8.64 | - |
| 35 | 1.65 | 1.98 | 2.44 | 3.03 | 3.74 | 4.60 | 5.62 | 6.87 | - |
| 40 | - | 1.60 | 2.01 | 2.53 | 3.15 | 3.86 | 4.67 | 5.62 | - |
| 45 | - | - | 1.62 | 2.08 | 2.62 | 3.23 | 3.91 | 4.66 | - |
| 50 | - | - | - | 1.67 | 2.14 | 2.68 | 3.26 | 3.88 | - |
| 55 | - | - | - | - | 1.72 | 2.19 | 2.69 | 3.22 | - |
| 60 | - | - | - | - | - | 1.75 | 2.19 | 2.65 | - |
| 65 | - | - | - | - | - | - | 1.75 | 2.16 | - |

Nominal performance at to = 5 °C, tc = 50 °C

| | | |
|---------------------|--------|------|
| Cooling capacity | 10 444 | W |
| Power input | 3 207 | W |
| Current consumption | 6.12 | A |
| Mass flow | 248 | kg/h |
| C.O.P. | 3.26 | |

Pressure switch settings

| | | |
|---------------------------|-----|--------|
| Maximum HP switch setting | 29 | bar(g) |
| Minimum LP switch setting | 0.5 | bar(g) |
| LP pump down setting | 1.3 | bar(g) |

Sound power data

| | | |
|--------------------|----|-------|
| Sound power level | 67 | dB(A) |
| With acoustic hood | 62 | dB(A) |

to: Evaporating temperature at dew point

tc: Condensing temperature at dew point

Rating conditions : Superheat = 10 K , Subcooling = 0 K

All performance data +/- 5%

Danfoss can accept no responsibility for possible errors in catalogues, brochures and other printed material. Danfoss reserves the right to alter its products without notice. This also applies to products already on order provided that such alternations can be made without subsequential changes being necessary in specifications already agreed. All trademarks in this material are property of the respective companies. Danfoss and the Danfoss logotype are trademarks of Danfoss A/S. All rights reserved.

Performance data at 50 Hz, ARI rating conditions
R22

| Cond. temp. in °C (tc) | Evaporating temperature in °C (to) | | | | | | | |
|---------------------------|------------------------------------|-----|-----|-----|----|---|---|----|
| | -25 | -20 | -15 | -10 | -5 | 0 | 5 | 10 |

Cooling capacity in W

| | | | | | | | | | |
|----|-------|-------|-------|-------|-------|--------|--------|--------|---|
| 30 | 4 442 | 5 184 | 6 276 | 7 695 | 9 418 | 11 424 | 13 691 | 16 196 | - |
| 35 | - | 4 906 | 5 970 | 7 339 | 8 990 | 10 902 | 13 052 | 15 418 | - |
| 40 | - | - | 5 619 | 6 956 | 8 553 | 10 389 | 12 441 | 14 687 | - |
| 45 | - | - | 5 200 | 6 524 | 8 086 | 9 864 | 11 836 | 13 980 | - |
| 50 | - | - | - | 6 020 | 7 565 | 9 303 | 11 214 | 13 274 | - |
| 55 | - | - | - | - | 6 968 | 8 686 | 10 553 | 12 548 | - |
| 60 | - | - | - | - | - | 7 988 | 9 831 | 11 779 | - |
| 65 | - | - | - | - | - | - | 9 024 | 10 944 | - |

Power input in W

| | | | | | | | | | |
|----|-------|-------|-------|-------|-------|-------|-------|-------|---|
| 30 | 2 053 | 2 038 | 2 032 | 2 023 | 2 003 | 1 961 | 1 888 | 1 774 | - |
| 35 | - | 2 323 | 2 295 | 2 277 | 2 261 | 2 235 | 2 191 | 2 118 | - |
| 40 | - | - | 2 612 | 2 574 | 2 549 | 2 528 | 2 501 | 2 458 | - |
| 45 | - | - | 2 998 | 2 928 | 2 884 | 2 856 | 2 834 | 2 809 | - |
| 50 | - | - | - | 3 355 | 3 280 | 3 234 | 3 207 | 3 188 | - |
| 55 | - | - | - | - | 3 754 | 3 678 | 3 633 | 3 610 | - |
| 60 | - | - | - | - | - | 4 203 | 4 129 | 4 090 | - |
| 65 | - | - | - | - | - | - | 4 711 | 4 643 | - |

Current consumption in A

| | | | | | | | | | |
|----|------|------|------|------|------|------|------|------|---|
| 30 | 5.06 | 4.79 | 4.73 | 4.78 | 4.86 | 4.87 | 4.71 | 4.30 | - |
| 35 | - | 5.23 | 5.06 | 5.05 | 5.10 | 5.12 | 5.02 | 4.70 | - |
| 40 | - | - | 5.48 | 5.38 | 5.39 | 5.40 | 5.34 | 5.10 | - |
| 45 | - | - | 6.00 | 5.80 | 5.75 | 5.75 | 5.70 | 5.52 | - |
| 50 | - | - | - | 6.33 | 6.20 | 6.16 | 6.12 | 5.99 | - |
| 55 | - | - | - | - | 6.76 | 6.67 | 6.62 | 6.52 | - |
| 60 | - | - | - | - | - | 7.28 | 7.21 | 7.12 | - |
| 65 | - | - | - | - | - | - | 7.91 | 7.82 | - |

Mass flow in kg/h

| | | | | | | | | | |
|----|----|-----|-----|-----|-----|-----|-----|-----|---|
| 30 | 90 | 105 | 125 | 152 | 183 | 220 | 261 | 306 | - |
| 35 | - | 103 | 123 | 150 | 181 | 217 | 257 | 301 | - |
| 40 | - | - | 120 | 147 | 179 | 214 | 254 | 296 | - |
| 45 | - | - | 116 | 143 | 175 | 211 | 251 | 293 | - |
| 50 | - | - | - | 138 | 171 | 207 | 247 | 289 | - |
| 55 | - | - | - | - | 164 | 202 | 242 | 285 | - |
| 60 | - | - | - | - | - | 195 | 236 | 280 | - |
| 65 | - | - | - | - | - | - | 228 | 273 | - |

Coefficient of performance (C.O.P.)

| | | | | | | | | | |
|----|------|------|------|------|------|------|------|------|---|
| 30 | 2.16 | 2.54 | 3.09 | 3.80 | 4.70 | 5.83 | 7.25 | 9.13 | - |
| 35 | - | 2.11 | 2.60 | 3.22 | 3.98 | 4.88 | 5.96 | 7.28 | - |
| 40 | - | - | 2.15 | 2.70 | 3.36 | 4.11 | 4.97 | 5.98 | - |
| 45 | - | - | 1.73 | 2.23 | 2.80 | 3.45 | 4.18 | 4.98 | - |
| 50 | - | - | - | 1.79 | 2.31 | 2.88 | 3.50 | 4.16 | - |
| 55 | - | - | - | - | 1.86 | 2.36 | 2.90 | 3.48 | - |
| 60 | - | - | - | - | - | 1.90 | 2.38 | 2.88 | - |
| 65 | - | - | - | - | - | - | 1.92 | 2.36 | - |

Nominal performance at to = 7.2 °C, tc = 54.4 °C

| | | |
|---------------------|--------|------|
| Cooling capacity | 11 501 | W |
| Power input | 3 567 | W |
| Current consumption | 6.52 | A |
| Mass flow | 262 | kg/h |
| C.O.P. | 3.22 | |

Pressure switch settings

| | | |
|---------------------------|-----|--------|
| Maximum HP switch setting | 29 | bar(g) |
| Minimum LP switch setting | 0.5 | bar(g) |
| LP pump down setting | 1.3 | bar(g) |

Sound power data

| | | |
|--------------------|----|-------|
| Sound power level | 67 | dB(A) |
| With acoustic hood | 62 | dB(A) |

to: Evaporating temperature at dew point

tc: Condensing temperature at dew point

Rating conditions : Superheat = 11.1 K , Subcooling = 8.3 K

All performance data +/- 5%

Danfoss can accept no responsibility for possible errors in catalogues, brochures and other printed material. Danfoss reserves the right to alter its products without notice. This also applies to products already on order provided that such alternations can be made without subsequential changes being necessary in specifications already agreed. All trademarks in this material are property of the respective companies. Danfoss and the Danfoss logotype are trademarks of Danfoss A/S. All rights reserved.

Performance data at 60 Hz, EN 12900 rating conditions
R22

| Cond. temp. in °C (tc) | Evaporating temperature in °C (to) | | | | | | | |
|---------------------------|------------------------------------|-----|-----|-----|----|---|---|----|
| | -25 | -20 | -15 | -10 | -5 | 0 | 5 | 10 |

Cooling capacity in W

| | | | | | | | | | |
|----|-------|-------|-------|-------|--------|--------|--------|--------|---|
| 30 | 4 968 | 5 800 | 7 025 | 8 620 | 10 559 | 12 816 | 15 366 | 18 182 | - |
| 35 | 4 662 | 5 485 | 6 678 | 8 216 | 10 074 | 12 226 | 14 647 | 17 310 | - |
| 40 | - | 5 104 | 6 285 | 7 786 | 9 584 | 11 651 | 13 963 | 16 494 | - |
| 45 | - | - | 5 818 | 7 302 | 9 059 | 11 062 | 13 285 | 15 704 | - |
| 50 | - | - | - | 6 736 | 8 471 | 10 429 | 12 584 | 14 911 | - |
| 55 | - | - | - | - | 7 793 | 9 725 | 11 830 | 14 084 | - |
| 60 | - | - | - | - | - | 8 922 | 10 996 | 13 196 | - |
| 65 | - | - | - | - | - | - | 10 054 | 12 217 | - |

Power input in W

| | | | | | | | | | |
|----|-------|-------|-------|-------|-------|-------|-------|-------|---|
| 30 | 2 454 | 2 438 | 2 430 | 2 419 | 2 395 | 2 345 | 2 258 | 2 124 | - |
| 35 | 2 829 | 2 773 | 2 740 | 2 719 | 2 699 | 2 668 | 2 615 | 2 529 | - |
| 40 | - | 3 183 | 3 111 | 3 066 | 3 037 | 3 012 | 2 979 | 2 928 | - |
| 45 | - | - | 3 562 | 3 479 | 3 427 | 3 394 | 3 368 | 3 338 | - |
| 50 | - | - | - | 3 977 | 3 888 | 3 834 | 3 801 | 3 779 | - |
| 55 | - | - | - | - | 4 439 | 4 348 | 4 295 | 4 268 | - |
| 60 | - | - | - | - | - | 4 957 | 4 870 | 4 823 | - |
| 65 | - | - | - | - | - | - | 5 543 | 5 463 | - |

Current consumption in A

| | | | | | | | | | |
|----|------|------|------|------|------|------|------|------|---|
| 30 | 5.46 | 5.17 | 5.10 | 5.16 | 5.24 | 5.25 | 5.08 | 4.64 | - |
| 35 | 6.10 | 5.64 | 5.46 | 5.44 | 5.50 | 5.52 | 5.41 | 5.07 | - |
| 40 | - | 6.23 | 5.91 | 5.80 | 5.81 | 5.83 | 5.76 | 5.50 | - |
| 45 | - | - | 6.47 | 6.26 | 6.20 | 6.20 | 6.15 | 5.96 | - |
| 50 | - | - | - | 6.82 | 6.68 | 6.64 | 6.60 | 6.46 | - |
| 55 | - | - | - | - | 7.28 | 7.19 | 7.14 | 7.03 | - |
| 60 | - | - | - | - | - | 7.85 | 7.77 | 7.68 | - |
| 65 | - | - | - | - | - | - | 8.53 | 8.43 | - |

Mass flow in kg/h

| | | | | | | | | | |
|----|-----|-----|-----|-----|-----|-----|-----|-----|---|
| 30 | 108 | 125 | 149 | 181 | 219 | 263 | 311 | 365 | - |
| 35 | 105 | 123 | 148 | 179 | 217 | 260 | 308 | 360 | - |
| 40 | - | 119 | 145 | 177 | 215 | 258 | 305 | 356 | - |
| 45 | - | - | 140 | 173 | 212 | 255 | 302 | 353 | - |
| 50 | - | - | - | 167 | 207 | 251 | 299 | 351 | - |
| 55 | - | - | - | - | 200 | 246 | 295 | 347 | - |
| 60 | - | - | - | - | - | 238 | 289 | 342 | - |
| 65 | - | - | - | - | - | - | 280 | 335 | - |

Coefficient of performance (C.O.P.)

| | | | | | | | | | |
|----|------|------|------|------|------|------|------|------|---|
| 30 | 2.02 | 2.38 | 2.89 | 3.56 | 4.41 | 5.47 | 6.80 | 8.56 | - |
| 35 | 1.65 | 1.98 | 2.44 | 3.02 | 3.73 | 4.58 | 5.60 | 6.84 | - |
| 40 | - | 1.60 | 2.02 | 2.54 | 3.16 | 3.87 | 4.69 | 5.63 | - |
| 45 | - | - | 1.63 | 2.10 | 2.64 | 3.26 | 3.94 | 4.70 | - |
| 50 | - | - | - | 1.69 | 2.18 | 2.72 | 3.31 | 3.95 | - |
| 55 | - | - | - | - | 1.76 | 2.24 | 2.75 | 3.30 | - |
| 60 | - | - | - | - | - | 1.80 | 2.26 | 2.74 | - |
| 65 | - | - | - | - | - | - | 1.81 | 2.24 | - |

Nominal performance at to = 5 °C, tc = 50 °C

| | | |
|---------------------|--------|------|
| Cooling capacity | 12 584 | W |
| Power input | 3 801 | W |
| Current consumption | 6.60 | A |
| Mass flow | 299 | kg/h |
| C.O.P. | 3.31 | |

Pressure switch settings

| | | |
|---------------------------|-----|--------|
| Maximum HP switch setting | 29 | bar(g) |
| Minimum LP switch setting | 0.5 | bar(g) |
| LP pump down setting | 1.3 | bar(g) |

Sound power data

| | | |
|--------------------|----|-------|
| Sound power level | 71 | dB(A) |
| With acoustic hood | 66 | dB(A) |

to: Evaporating temperature at dew point

tc: Condensing temperature at dew point

Rating conditions : Superheat = 10 K , Subcooling = 0 K

All performance data +/- 5%

Danfoss can accept no responsibility for possible errors in catalogues, brochures and other printed material. Danfoss reserves the right to alter its products without notice. This also applies to products already on order provided that such alternations can be made without subsequential changes being necessary in specifications already agreed. All trademarks in this material are property of the respective companies. Danfoss and the Danfoss logotype are trademarks of Danfoss A/S. All rights reserved.

Performance data at 60 Hz, ARI rating conditions

R22

| Cond. temp. in °C (tc) | Evaporating temperature in °C (to) | | | | | | | |
|------------------------|------------------------------------|-----|-----|-----|----|---|---|----|
| | -25 | -20 | -15 | -10 | -5 | 0 | 5 | 10 |

Cooling capacity in W

| | | | | | | | | | |
|----|-------|-------|-------|-------|--------|--------|--------|--------|---|
| 30 | 5 277 | 6 155 | 7 449 | 9 134 | 11 180 | 13 560 | 16 246 | 19 211 | - |
| 35 | - | 5 841 | 7 106 | 8 735 | 10 702 | 12 978 | 15 536 | 18 348 | - |
| 40 | - | - | 6 713 | 8 309 | 10 218 | 12 412 | 14 864 | 17 544 | - |
| 45 | - | - | 6 241 | 7 826 | 9 699 | 11 833 | 14 199 | 16 770 | - |
| 50 | - | - | - | 7 255 | 9 114 | 11 209 | 13 512 | 15 995 | - |
| 55 | - | - | - | - | 8 432 | 10 510 | 12 772 | 15 189 | - |
| 60 | - | - | - | - | - | 9 706 | 11 948 | 14 321 | - |
| 65 | - | - | - | - | - | - | 11 010 | 13 361 | - |

Power input in W

| | | | | | | | | | |
|----|-------|-------|-------|-------|-------|-------|-------|-------|---|
| 30 | 2 454 | 2 438 | 2 430 | 2 419 | 2 395 | 2 345 | 2 258 | 2 124 | - |
| 35 | - | 2 773 | 2 740 | 2 719 | 2 699 | 2 668 | 2 615 | 2 529 | - |
| 40 | - | - | 3 111 | 3 066 | 3 037 | 3 012 | 2 979 | 2 928 | - |
| 45 | - | - | 3 562 | 3 479 | 3 427 | 3 394 | 3 368 | 3 338 | - |
| 50 | - | - | - | 3 977 | 3 888 | 3 834 | 3 801 | 3 779 | - |
| 55 | - | - | - | - | 4 439 | 4 348 | 4 295 | 4 268 | - |
| 60 | - | - | - | - | - | 4 957 | 4 870 | 4 823 | - |
| 65 | - | - | - | - | - | - | 5 543 | 5 463 | - |

Current consumption in A

| | | | | | | | | | |
|----|------|------|------|------|------|------|------|------|---|
| 30 | 5.46 | 5.17 | 5.10 | 5.16 | 5.24 | 5.25 | 5.08 | 4.64 | - |
| 35 | - | 5.64 | 5.46 | 5.44 | 5.50 | 5.52 | 5.41 | 5.07 | - |
| 40 | - | - | 5.91 | 5.80 | 5.81 | 5.83 | 5.76 | 5.50 | - |
| 45 | - | - | 6.47 | 6.26 | 6.20 | 6.20 | 6.15 | 5.96 | - |
| 50 | - | - | - | 6.82 | 6.68 | 6.64 | 6.60 | 6.46 | - |
| 55 | - | - | - | - | 7.28 | 7.19 | 7.14 | 7.03 | - |
| 60 | - | - | - | - | - | 7.85 | 7.77 | 7.68 | - |
| 65 | - | - | - | - | - | - | 8.53 | 8.43 | - |

Mass flow in kg/h

| | | | | | | | | | |
|----|-----|-----|-----|-----|-----|-----|-----|-----|---|
| 30 | 107 | 124 | 149 | 180 | 218 | 261 | 310 | 363 | - |
| 35 | - | 122 | 147 | 178 | 216 | 258 | 306 | 358 | - |
| 40 | - | - | 144 | 176 | 213 | 256 | 303 | 354 | - |
| 45 | - | - | 139 | 172 | 210 | 254 | 301 | 351 | - |
| 50 | - | - | - | 166 | 206 | 250 | 298 | 349 | - |
| 55 | - | - | - | - | 199 | 244 | 293 | 345 | - |
| 60 | - | - | - | - | - | 237 | 287 | 340 | - |
| 65 | - | - | - | - | - | - | 278 | 333 | - |

Coefficient of performance (C.O.P.)

| | | | | | | | | | |
|----|------|------|------|------|------|------|------|------|---|
| 30 | 2.15 | 2.52 | 3.07 | 3.78 | 4.67 | 5.78 | 7.19 | 9.05 | - |
| 35 | - | 2.11 | 2.59 | 3.21 | 3.97 | 4.86 | 5.94 | 7.25 | - |
| 40 | - | - | 2.16 | 2.71 | 3.36 | 4.12 | 4.99 | 5.99 | - |
| 45 | - | - | 1.75 | 2.25 | 2.83 | 3.49 | 4.22 | 5.02 | - |
| 50 | - | - | - | 1.82 | 2.34 | 2.92 | 3.55 | 4.23 | - |
| 55 | - | - | - | - | 1.90 | 2.42 | 2.97 | 3.56 | - |
| 60 | - | - | - | - | - | 1.96 | 2.45 | 2.97 | - |
| 65 | - | - | - | - | - | - | 1.99 | 2.45 | - |

Nominal performance at to = 7.2 °C, tc = 54.4 °C

| | | |
|---------------------|--------|------|
| Cooling capacity | 13 913 | W |
| Power input | 4 218 | W |
| Current consumption | 7.03 | A |
| Mass flow | 316 | kg/h |
| C.O.P. | 3.30 | |

Pressure switch settings

| | | |
|---------------------------|-----|--------|
| Maximum HP switch setting | 29 | bar(g) |
| Minimum LP switch setting | 0.5 | bar(g) |
| LP pump down setting | 1.3 | bar(g) |

Sound power data

| | | |
|--------------------|----|-------|
| Sound power level | 71 | dB(A) |
| With acoustic hood | 66 | dB(A) |

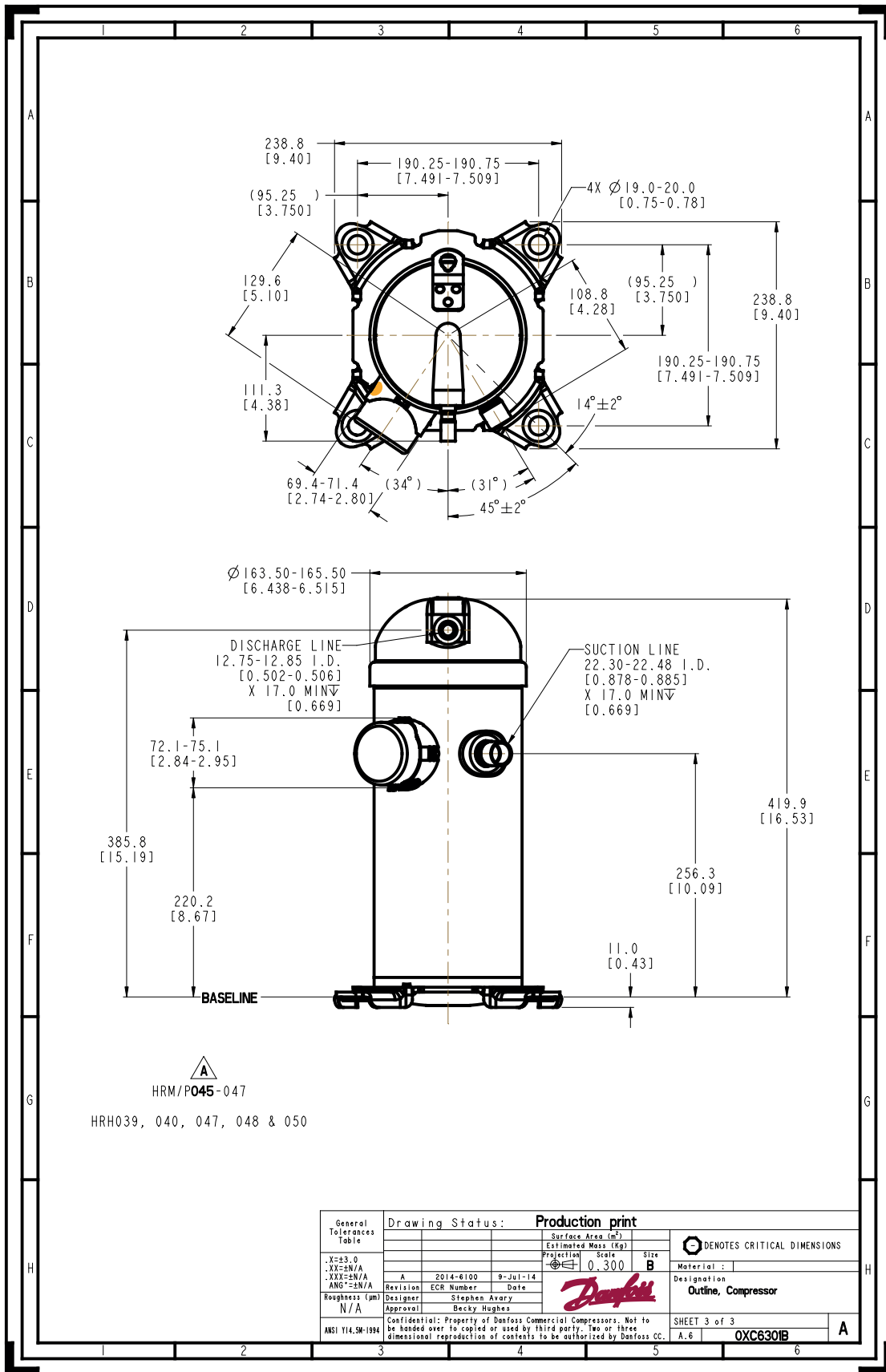
to: Evaporating temperature at dew point

tc: Condensing temperature at dew point

Rating conditions : Superheat = 11.1 K , Subcooling = 8.3 K

All performance data +/- 5%

Danfoss can accept no responsibility for possible errors in catalogues, brochures and other printed material. Danfoss reserves the right to alter its products without notice. This also applies to products already on order provided that such alternations can be made without subsequential changes being necessary in specifications already agreed. All trademarks in this material are property of the respective companies. Danfoss and the Danfoss logotype are trademarks of Danfoss A/S. All rights reserved.



| | | | | | |
|--------------------------|-----------------------------------------------------------------------------------------------------------------------------------------------------------------------------------------------------|---------------|----------|--------------------------------|-------------------------------|
| General Tolerances Table | Drawing Status: Production print | | | Surface Area (m ²) | ⊕ DENOTES CRITICAL DIMENSIONS |
| | | | | Estimated Mass (kg) | |
| Y=±3.0 | | | | Projection Scale | Size |
| .XX=±N/A | | | | 0.300 | B |
| .XXX=±N/A | Revision | ECR Number | Date | Material: | |
| ANG=±N/A | A | 2014-6100 | 9-Jul-14 | Designation | |
| | Designer | Stephen Avary | | Outline, Compressor | |
| Roughness (µm) | Approval | Becky Hughes | | SHEET 3 of 3 | |
| N/A | Confidential: Property of Danfoss Commercial Compressors. Not to be handed over to copied or used by third party. Two or three dimensional reproduction of contents to be authorized by Danfoss CC. | | | A.6 | OXC6301B |
| ANSI Y14.5M-1994 | | | | A | |

Danfoss can accept no responsibility for possible errors in catalogues, brochures and other printed material. Danfoss reserves the right to alter its products without notice. This also applies to products already on order provided that such alternations can be made without subsequential changes being necessary in specifications already agreed. All trademarks in this material are property of the respective companies. Danfoss, the Danfoss logotype and Maneurop are trademarks of Danfoss A/S. All rights reserved.