

ENGINEERING
TOMORROW

Danfoss

Datasheets

Danfoss scroll compressors **H series**



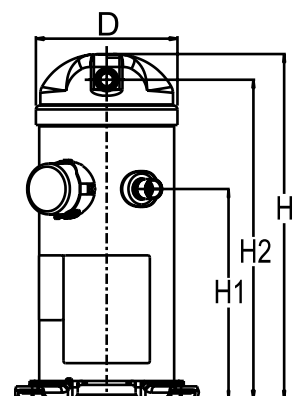
FRCC.UD.180316.090328

www.danfoss.com/odsg

General Characteristics

Model number (on compressor nameplate)		HRM060U4LC8
Code number for Singlepack*		120U1741
Code number for Industrial pack**		120U1738
Drawing number		0XR6049B-2
Suction and discharge connections		Brazed
Suction connection		7/8 " ODF
Discharge connection		1/2 " ODF
Oil sight glass		None
Oil equalisation connection		1/2"
Oil drain connection		None
LP gauge port		None
IPR valve		Yes
Swept volume		80.95 cm ³ /rev
Displacement @ Nominal speed		14.1 m ³ /h @ 2900 rpm - 17.0 m ³ /h @ 3500 rpm
Net weight		37.19 kg
Oil charge		1.57 litre, Alkylbenzene - -
Maximum system test pressure Low Side / High side		- bar(g) / - bar(g)
Maximum differential test pressure		- bar
Maximum number of starts per hour		-
Refrigerant charge limit		5.44 kg
Approved refrigerants		R22

Dimensions

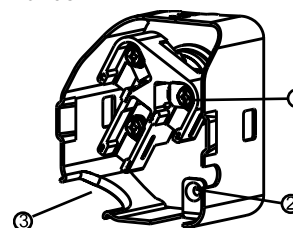


D=183.5 mm
H=455 mm
H1=280 mm
H2=422 mm
H3=- mm

Electrical Characteristics

Nominal voltage		380-415V/3/50Hz - 460V/3/60Hz
Voltage range		342-457 V @ 50Hz - 414-506 V @ 60Hz
Winding resistance between phases 1-2 +/- 7% at 25°C		2.316 Ω
Winding resistance between phases 1-3 +/- 7% at 25°C		2.330 Ω
Winding resistance between phases 2-3 +/- 7% at 25°C		2.360 Ω
Rated Load Amps (RLA)		9.6 A
Maximum Continuous Current (MCC)		15 A
Locked Rotor Amps (LRA)		70 A
Motor protection		Internal overload protector

Terminal box



IP22

- 1: Screw connectors 10-32 UNF x 9.5
- 2: Earth connection
- 3: Power cable passage

Recommended Installation torques

Oil sight glass		52.5 Nm
Power connections / Earth connection		3 Nm / 2 Nm

Parts shipped with compressor

Mounting kit with grommets and sleeves
Initial oil charge
Installation instructions

Approvals : CE certified, UL certified (file SA11565), -

*Singlepack: Compressor in cardboard box

**Industrial pack: 12 or 16 Unboxed compressors on pallet

Rotolock accessories, suction side

Code no.

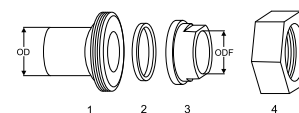
Rotolock valve, V05 (1-1/4" Rotolock, 7/8" ODF)	8168030
Gasket, 1-1/4"	8156131

Rotolock accessories, discharge side

Code no.

Solder sleeve, P06 (1" Rotolock, 1/2" ODF)	8153007
Angle adapter, C06 (1" Rotolock, 1/2" ODF)	8168007
Rotolock valve, V06 (1" Rotolock, 1/2" ODF)	8168031
Gasket, 1"	8156130

Solder sleeve adapter set



- 1: Rotolock adapter (Suc & Dis)
- 2: Gasket (Suc & Dis)
- 3: Solder sleeve (Suc & Dis)
- 4: Rotolock nut (Suc & Dis)

Rotolock accessories, sets

Code no.

Solder sleeve adapter set (1-1/4" Rotolock, 7/8" ODF), (1" Rotolock, 1/2" ODF)	120Z0127
Gasket set, 1", 1-1/4", 1-3/4", OSG gaskets black & white	8156009

Oil / lubricants

Code no.

Crankcase heaters

Code no.

Belt type crankcase heater, 50 W, 230 V, CE mark, UL	120Z0057
Belt type crankcase heater, 50 W, 400 V, CE mark, UL	120Z0058

Miscellaneous accessories

Code no.

Acoustic hood	120Z5044
Discharge thermostat kit	7750009
IP54 upgrade kit	118U0057

Spare parts

Code no.

Mounting kit for 1 scroll compressor including 4 grommets, 4 sleeves, 4 bolts, 4 washers	120Z5005
Mounting kit, including 1 bolt, 1 sleeve, 1 washer	120Z5031
No translation for 120Z5018	120Z5018

Performance data at 50 Hz, EN 12900 rating conditions

R22

Cond. temp. in °C (tc)	Evaporating temperature in °C (to)							
	-25	-20	-15	-10	-5	0	5	10

Cooling capacity in W

30	5 303	6 190	7 499	9 201	11 270	13 679	16 401	19 408	-
35	4 974	5 852	7 126	8 767	10 749	13 046	15 629	18 471	-
40	-	5 444	6 703	8 305	10 222	12 427	14 893	17 593	-
45	-	-	6 202	7 785	9 658	11 793	14 164	16 743	-
50	-	-	-	7 178	9 027	11 113	13 410	15 889	-
55	-	-	-	-	8 301	10 358	12 601	15 001	-
60	-	-	-	-	-	9 499	11 708	14 049	-
65	-	-	-	-	-	-	10 700	13 002	-

Power input in W

30	2 547	2 564	2 576	2 577	2 560	2 520	2 452	2 350	-
35	2 888	2 884	2 882	2 879	2 867	2 841	2 796	2 725	-
40	-	3 250	3 229	3 215	3 201	3 182	3 153	3 107	-
45	-	-	3 633	3 601	3 578	3 559	3 539	3 511	-
50	-	-	-	4 053	4 015	3 989	3 971	3 954	-
55	-	-	-	-	4 527	4 488	4 465	4 453	-
60	-	-	-	-	-	5 073	5 038	5 023	-
65	-	-	-	-	-	-	5 707	5 682	-

Current consumption in A

30	4.68	4.77	4.83	4.87	4.88	4.88	4.87	4.85	-
35	5.05	5.11	5.15	5.18	5.19	5.18	5.18	5.17	-
40	-	5.59	5.61	5.62	5.62	5.61	5.61	5.61	-
45	-	-	6.20	6.19	6.18	6.17	6.17	6.18	-
50	-	-	-	6.90	6.88	6.86	6.86	6.88	-
55	-	-	-	-	7.72	7.70	7.70	7.72	-
60	-	-	-	-	-	8.68	8.67	8.70	-
65	-	-	-	-	-	-	9.80	9.83	-

Mass flow in kg/h

30	115	133	159	193	234	280	332	389	-
35	112	131	157	191	231	277	328	384	-
40	-	127	154	189	229	275	325	380	-
45	-	-	149	184	226	272	322	377	-
50	-	-	-	178	221	268	319	374	-
55	-	-	-	-	213	262	314	370	-
60	-	-	-	-	-	253	307	364	-
65	-	-	-	-	-	-	298	357	-

Coefficient of performance (C.O.P.)

30	2.08	2.41	2.91	3.57	4.40	5.43	6.69	8.26	-
35	1.72	2.03	2.47	3.05	3.75	4.59	5.59	6.78	-
40	-	1.68	2.08	2.58	3.19	3.91	4.72	5.66	-
45	-	-	1.71	2.16	2.70	3.31	4.00	4.77	-
50	-	-	-	1.77	2.25	2.79	3.38	4.02	-
55	-	-	-	-	1.83	2.31	2.82	3.37	-
60	-	-	-	-	-	1.87	2.32	2.80	-
65	-	-	-	-	-	-	1.88	2.29	-

Nominal performance at to = 5 °C, tc = 50 °C

Cooling capacity	13 410	W
Power input	3 971	W
Current consumption	6.86	A
Mass flow	319	kg/h
C.O.P.	3.38	

Pressure switch settings

Maximum HP switch setting	29	bar(g)
Minimum LP switch setting	0.5	bar(g)
LP pump down setting	1.3	bar(g)

Sound power data

Sound power level	70	dB(A)
With acoustic hood	65	dB(A)

to: Evaporating temperature at dew point

tc: Condensing temperature at dew point

Rating conditions : Superheat = 10 K , Subcooling = 0 K

All performance data +/- 5%

Danfoss can accept no responsibility for possible errors in catalogues, brochures and other printed material. Danfoss reserves the right to alter its products without notice. This also applies to products already on order provided that such alternations can be made without subsequential changes being necessary in specifications already agreed. All trademarks in this material are property of the respective companies. Danfoss and the Danfoss logotype are trademarks of Danfoss A/S. All rights reserved.

Performance data at 50 Hz, ARI rating conditions
R22

Cond. temp. in °C (tc)	Evaporating temperature in °C (to)							
	-25	-20	-15	-10	-5	0	5	10

Cooling capacity in W

30	5 632	6 569	7 951	9 749	11 933	14 473	17 341	20 507	-
35	-	6 232	7 582	9 321	11 419	13 848	16 577	19 578	-
40	-	-	7 160	8 863	10 899	13 239	15 853	18 713	-
45	-	-	6 654	8 344	10 341	12 615	15 138	17 879	-
50	-	-	-	7 731	9 712	11 945	14 399	17 045	-
55	-	-	-	-	8 981	11 195	13 604	16 178	-
60	-	-	-	-	-	10 334	12 721	15 247	-
65	-	-	-	-	-	-	11 717	14 218	-

Power input in W

30	2 547	2 564	2 576	2 577	2 560	2 520	2 452	2 350	-
35	-	2 884	2 882	2 879	2 867	2 841	2 796	2 725	-
40	-	-	3 229	3 215	3 201	3 182	3 153	3 107	-
45	-	-	3 633	3 601	3 578	3 559	3 539	3 511	-
50	-	-	-	4 053	4 015	3 989	3 971	3 954	-
55	-	-	-	-	4 527	4 488	4 465	4 453	-
60	-	-	-	-	-	5 073	5 038	5 023	-
65	-	-	-	-	-	-	5 707	5 682	-

Current consumption in A

30	4.68	4.77	4.83	4.87	4.88	4.88	4.87	4.85	-
35	-	5.11	5.15	5.18	5.19	5.18	5.18	5.17	-
40	-	-	5.61	5.62	5.62	5.61	5.61	5.61	-
45	-	-	6.20	6.19	6.18	6.17	6.17	6.18	-
50	-	-	-	6.90	6.88	6.86	6.86	6.88	-
55	-	-	-	-	7.72	7.70	7.70	7.72	-
60	-	-	-	-	-	8.68	8.67	8.70	-
65	-	-	-	-	-	-	9.80	9.83	-

Mass flow in kg/h

30	115	132	159	192	232	279	331	387	-
35	-	130	157	190	230	276	326	382	-
40	-	-	154	188	228	273	323	378	-
45	-	-	148	184	224	270	321	375	-
50	-	-	-	177	219	266	317	371	-
55	-	-	-	-	212	260	312	368	-
60	-	-	-	-	-	252	306	362	-
65	-	-	-	-	-	-	296	355	-

Coefficient of performance (C.O.P.)

30	2.21	2.56	3.09	3.78	4.66	5.74	7.07	8.73	-
35	-	2.16	2.63	3.24	3.98	4.87	5.93	7.18	-
40	-	-	2.22	2.76	3.41	4.16	5.03	6.02	-
45	-	-	1.83	2.32	2.89	3.54	4.28	5.09	-
50	-	-	-	1.91	2.42	2.99	3.63	4.31	-
55	-	-	-	-	1.98	2.49	3.05	3.63	-
60	-	-	-	-	-	2.04	2.52	3.04	-
65	-	-	-	-	-	-	2.05	2.50	-

Nominal performance at to = 7.2 °C, tc = 54.4 °C

Cooling capacity	14 820	W
Power input	4 396	W
Current consumption	7.60	A
Mass flow	337	kg/h
C.O.P.	3.37	

Pressure switch settings

Maximum HP switch setting	29	bar(g)
Minimum LP switch setting	0.5	bar(g)
LP pump down setting	1.3	bar(g)

Sound power data

Sound power level	70	dB(A)
With acoustic hood	65	dB(A)

to: Evaporating temperature at dew point

tc: Condensing temperature at dew point

Rating conditions : Superheat = 11.1 K , Subcooling = 8.3 K

All performance data +/- 5%

Danfoss can accept no responsibility for possible errors in catalogues, brochures and other printed material. Danfoss reserves the right to alter its products without notice. This also applies to products already on order provided that such alternations can be made without subsequential changes being necessary in specifications already agreed. All trademarks in this material are property of the respective companies. Danfoss and the Danfoss logotype are trademarks of Danfoss A/S. All rights reserved.

Performance data at 60 Hz, EN 12900 rating conditions
R22

Cond. temp. in °C (tc)	Evaporating temperature in °C (to)							
	-25	-20	-15	-10	-5	0	5	10

Cooling capacity in W

30	6 283	7 336	8 886	10 904	13 356	16 211	19 438	23 003	-
35	5 889	6 931	8 439	10 383	12 730	15 449	18 509	21 876	-
40	-	6 440	7 932	9 827	12 095	14 704	17 623	20 818	-
45	-	-	7 331	9 203	11 417	13 941	16 743	19 792	-
50	-	-	-	8 476	10 660	13 124	15 836	18 763	-
55	-	-	-	-	9 793	12 220	14 865	17 696	-
60	-	-	-	-	-	11 196	13 798	16 555	-
65	-	-	-	-	-	-	12 599	15 307	-

Power input in W

30	3 028	3 049	3 063	3 064	3 043	2 996	2 915	2 795	-
35	3 428	3 424	3 423	3 419	3 405	3 374	3 320	3 237	-
40	-	3 853	3 829	3 812	3 796	3 773	3 738	3 685	-
45	-	-	4 300	4 262	4 236	4 214	4 189	4 157	-
50	-	-	-	4 789	4 744	4 714	4 693	4 673	-
55	-	-	-	-	5 341	5 294	5 267	5 252	-
60	-	-	-	-	-	5 974	5 933	5 915	-
65	-	-	-	-	-	-	6 709	6 679	-

Current consumption in A

30	4.77	4.86	4.92	4.96	4.97	4.97	4.96	4.93	-
35	5.14	5.21	5.25	5.27	5.28	5.28	5.27	5.26	-
40	-	5.69	5.71	5.72	5.72	5.72	5.71	5.71	-
45	-	-	6.31	6.30	6.29	6.28	6.28	6.30	-
50	-	-	-	7.03	7.01	6.99	6.99	7.01	-
55	-	-	-	-	7.86	7.84	7.84	7.86	-
60	-	-	-	-	-	8.84	8.83	8.86	-
65	-	-	-	-	-	-	9.98	10.01	-

Mass flow in kg/h

30	137	158	189	229	277	332	394	461	-
35	133	155	187	226	274	328	389	455	-
40	-	150	183	223	271	325	385	449	-
45	-	-	176	218	267	321	381	445	-
50	-	-	-	210	260	316	377	441	-
55	-	-	-	-	251	309	371	436	-
60	-	-	-	-	-	299	362	429	-
65	-	-	-	-	-	-	351	420	-

Coefficient of performance (C.O.P.)

30	2.08	2.41	2.90	3.56	4.39	5.41	6.67	8.23	-
35	1.72	2.02	2.47	3.04	3.74	4.58	5.57	6.76	-
40	-	1.67	2.07	2.58	3.19	3.90	4.71	5.65	-
45	-	-	1.70	2.16	2.70	3.31	4.00	4.76	-
50	-	-	-	1.77	2.25	2.78	3.37	4.02	-
55	-	-	-	-	1.83	2.31	2.82	3.37	-
60	-	-	-	-	-	1.87	2.33	2.80	-
65	-	-	-	-	-	-	1.88	2.29	-

Nominal performance at to = 5 °C, tc = 50 °C

Cooling capacity	15 836	W
Power input	4 693	W
Current consumption	6.99	A
Mass flow	377	kg/h
C.O.P.	3.37	

Pressure switch settings

Maximum HP switch setting	29	bar(g)
Minimum LP switch setting	0.5	bar(g)
LP pump down setting	1.3	bar(g)

Sound power data

Sound power level	74	dB(A)
With acoustic hood	69	dB(A)

to: Evaporating temperature at dew point

tc: Condensing temperature at dew point

Rating conditions : Superheat = 10 K , Subcooling = 0 K

All performance data +/- 5%

Danfoss can accept no responsibility for possible errors in catalogues, brochures and other printed material. Danfoss reserves the right to alter its products without notice. This also applies to products already on order provided that such alternations can be made without subsequential changes being necessary in specifications already agreed. All trademarks in this material are property of the respective companies. Danfoss and the Danfoss logotype are trademarks of Danfoss A/S. All rights reserved.

Performance data at 60 Hz, ARI rating conditions

R22

Cond. temp. in °C (tc)	Evaporating temperature in °C (to)							
	-25	-20	-15	-10	-5	0	5	10

Cooling capacity in W

30	6 673	7 784	9 423	11 553	14 141	17 152	20 552	24 306	-
35	-	7 381	8 979	11 038	13 523	16 399	19 632	23 187	-
40	-	-	8 472	10 487	12 896	15 665	18 759	22 143	-
45	-	-	7 864	9 863	12 224	14 913	17 895	21 136	-
50	-	-	-	9 129	11 469	14 106	17 003	20 128	-
55	-	-	-	-	10 595	13 207	16 048	19 084	-
60	-	-	-	-	-	12 179	14 991	17 967	-
65	-	-	-	-	-	-	13 797	16 739	-

Power input in W

30	3 028	3 049	3 063	3 064	3 043	2 996	2 915	2 795	-
35	-	3 424	3 423	3 419	3 405	3 374	3 320	3 237	-
40	-	-	3 829	3 812	3 796	3 773	3 738	3 685	-
45	-	-	4 300	4 262	4 236	4 214	4 189	4 157	-
50	-	-	-	4 789	4 744	4 714	4 693	4 673	-
55	-	-	-	-	5 341	5 294	5 267	5 252	-
60	-	-	-	-	-	5 974	5 933	5 915	-
65	-	-	-	-	-	-	6 709	6 679	-

Current consumption in A

30	4.77	4.86	4.92	4.96	4.97	4.97	4.96	4.93	-
35	-	5.21	5.25	5.27	5.28	5.28	5.27	5.26	-
40	-	-	5.71	5.72	5.72	5.72	5.71	5.71	-
45	-	-	6.31	6.30	6.29	6.28	6.28	6.30	-
50	-	-	-	7.03	7.01	6.99	6.99	7.01	-
55	-	-	-	-	7.86	7.84	7.84	7.86	-
60	-	-	-	-	-	8.84	8.83	8.86	-
65	-	-	-	-	-	-	9.98	10.01	-

Mass flow in kg/h

30	136	157	188	228	275	330	392	459	-
35	-	154	186	225	272	327	387	452	-
40	-	-	182	222	269	323	383	447	-
45	-	-	175	217	265	319	379	443	-
50	-	-	-	209	259	314	375	439	-
55	-	-	-	-	250	307	369	434	-
60	-	-	-	-	-	297	360	427	-
65	-	-	-	-	-	-	349	417	-

Coefficient of performance (C.O.P.)

30	2.20	2.55	3.08	3.77	4.65	5.73	7.05	8.70	-
35	-	2.16	2.62	3.23	3.97	4.86	5.91	7.16	-
40	-	-	2.21	2.75	3.40	4.15	5.02	6.01	-
45	-	-	1.83	2.31	2.89	3.54	4.27	5.08	-
50	-	-	-	1.91	2.42	2.99	3.62	4.31	-
55	-	-	-	-	1.98	2.49	3.05	3.63	-
60	-	-	-	-	-	2.04	2.53	3.04	-
65	-	-	-	-	-	-	2.06	2.51	-

Nominal performance at to = 7.2 °C, tc = 54.4 °C

Cooling capacity	17 485	W
Power input	5 186	W
Current consumption	7.74	A
Mass flow	398	kg/h
C.O.P.	3.37	

Pressure switch settings

Maximum HP switch setting	29	bar(g)
Minimum LP switch setting	0.5	bar(g)
LP pump down setting	1.3	bar(g)

Sound power data

Sound power level	74	dB(A)
With acoustic hood	69	dB(A)

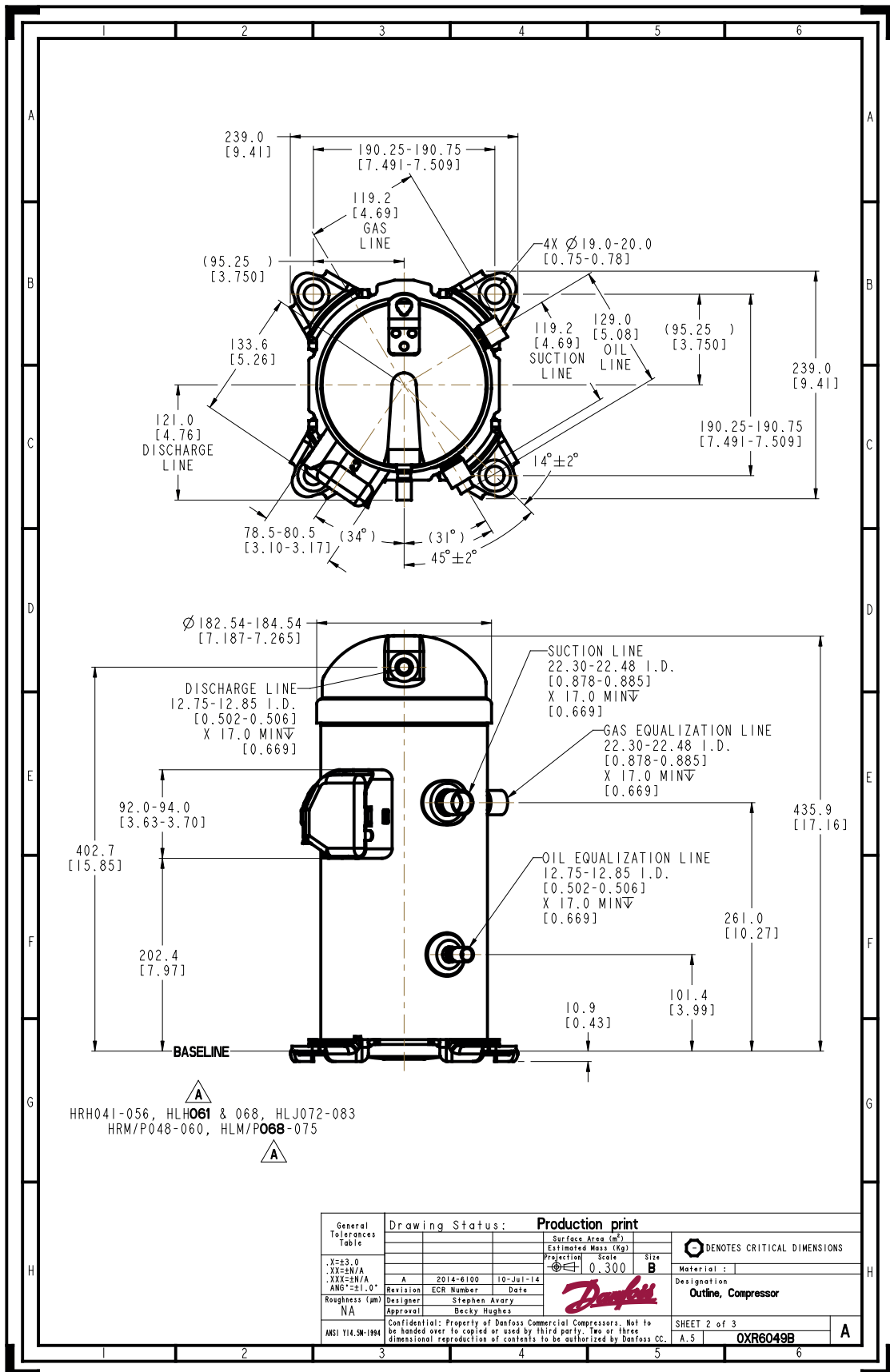
to: Evaporating temperature at dew point

tc: Condensing temperature at dew point

Rating conditions : Superheat = 11.1 K , Subcooling = 8.3 K

All performance data +/- 5%

Danfoss can accept no responsibility for possible errors in catalogues, brochures and other printed material. Danfoss reserves the right to alter its products without notice. This also applies to products already on order provided that such alternations can be made without subsequential changes being necessary in specifications already agreed. All trademarks in this material are property of the respective companies. Danfoss and the Danfoss logotype are trademarks of Danfoss A/S. All rights reserved.



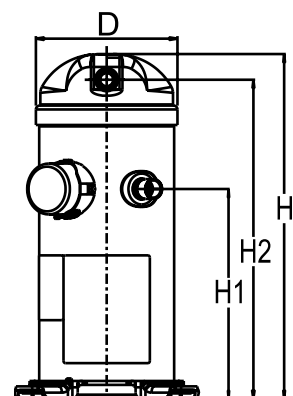
General Tolerances Table	Drawing Status: Production print		Surface Area (m ²)	DENOTES CRITICAL DIMENSIONS
			Estimated Mass (kg)	
Y=±3.0			Projection Scale	Size
XX=±N/A			0.300	B
ANG=±1.0°	Revision	ECR Number	Date	Material:
Roughness (µm)	A	2014-6100	10-Jul-14	
NA	Designer	Stephen Avary	Approval	Becky Hughes
ANSI Y14.5M-1994	Confidential: Property of Danfoss Commercial Compressors. Not to be handed over, copied or used by third party. Two or three dimensional reproduction of contents to be authorized by Danfoss CC.			Designation Outline, Compressor
	SHEET 2 of 3			A
	A.5			OXR6049B

Danfoss can accept no responsibility for possible errors in catalogues, brochures and other printed material. Danfoss reserves the right to alter its products without notice. This also applies to products already on order provided that such alternations can be made without consequential changes being necessary in specifications already agreed. All trademarks in this material are property of the respective companies. Danfoss, the Danfoss logotype and Maneurop are trademarks of Danfoss A/S. All rights reserved.

General Characteristics

Model number (on compressor nameplate)		HRM060U4LP6
Code number for Singlepack*		120U1736
Code number for Industrial pack**		120U1733
Drawing number		0XR6002B-2
Suction and discharge connections		Brazed
Suction connection		7/8 " ODF
Discharge connection		1/2 " ODF
Oil sight glass		None
Oil equalisation connection		None
Oil drain connection		None
LP gauge port		None
IPR valve		Yes
Swept volume		80.95 cm ³ /rev
Displacement @ Nominal speed		14.1 m ³ /h @ 2900 rpm - 17.0 m ³ /h @ 3500 rpm
Net weight		37.19 kg
Oil charge		1.57 litre, Alkylbenzene - -
Maximum system test pressure Low Side / High side		- bar(g) / - bar(g)
Maximum differential test pressure		- bar
Maximum number of starts per hour		-
Refrigerant charge limit		5.44 kg
Approved refrigerants		R22

Dimensions

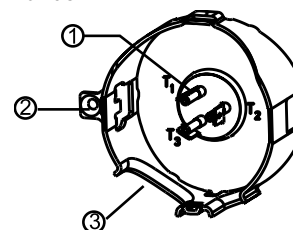


D=183.5 mm
H=455 mm
H1=280 mm
H2=422 mm
H3=- mm

Electrical Characteristics

Nominal voltage		380-415V/3/50Hz - 460V/3/60Hz
Voltage range		342-457 V @ 50Hz - 414-506 V @ 60Hz
Winding resistance between phases 1-2 +/- 7% at 25°C		2.316 Ω
Winding resistance between phases 1-3 +/- 7% at 25°C		2.330 Ω
Winding resistance between phases 2-3 +/- 7% at 25°C		2.360 Ω
Rated Load Amps (RLA)		9.6 A
Maximum Continuous Current (MCC)		15 A
Locked Rotor Amps (LRA)		70 A
Motor protection		Internal overload protector

Terminal box



IP22

- 1: Spade connectors 1/4"
- 2: Earth connection
- 3: Power cable passage

Recommended Installation torques

Oil sight glass		52.5 Nm
Power connections / Earth connection		0 Nm / 0 Nm

Parts shipped with compressor

Mounting kit with grommets and sleeves
Initial oil charge
Installation instructions

Approvals : CE certified, UL certified (file SA11565), -

*Singlepack: Compressor in cardboard box

**Industrial pack: 12 or 16 Unboxed compressors on pallet

Rotolock accessories, suction side

Code no.

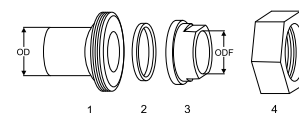
Rotolock valve, V05 (1-1/4" Rotolock, 7/8" ODF)	8168030
Gasket, 1-1/4"	8156131

Rotolock accessories, discharge side

Code no.

Solder sleeve, P06 (1" Rotolock, 1/2" ODF)	8153007
Angle adapter, C06 (1" Rotolock, 1/2" ODF)	8168007
Rotolock valve, V06 (1" Rotolock, 1/2" ODF)	8168031
Gasket, 1"	8156130

Solder sleeve adapter set



- 1: Rotolock adapter (Suc & Dis)
- 2: Gasket (Suc & Dis)
- 3: Solder sleeve (Suc & Dis)
- 4: Rotolock nut (Suc & Dis)

Rotolock accessories, sets

Code no.

Solder sleeve adapter set (1-1/4" Rotolock, 7/8" ODF), (1" Rotolock, 1/2" ODF)	120Z0127
Gasket set, 1", 1-1/4", 1-3/4", OSG gaskets black & white	8156009

Oil / lubricants

Code no.

Crankcase heaters

Code no.

Belt type crankcase heater, 50 W, 230 V, CE mark, UL	120Z0057
Belt type crankcase heater, 50 W, 400 V, CE mark, UL	120Z0058

Miscellaneous accessories

Code no.

Acoustic hood	120Z5044
Discharge thermostat kit	7750009
IP54 upgrade kit	118U0056

Spare parts

Code no.

Mounting kit for 1 scroll compressor including 4 grommets, 4 sleeves, 4 bolts, 4 washers	120Z5005
Mounting kit, including 1 bolt, 1 sleeve, 1 washer	120Z5031
No translation for 120Z5015	120Z5015

Performance data at 50 Hz, EN 12900 rating conditions

R22

Cond. temp. in °C (tc)	Evaporating temperature in °C (to)							
	-25	-20	-15	-10	-5	0	5	10

Cooling capacity in W

30	5 303	6 190	7 499	9 201	11 270	13 679	16 401	19 408	-
35	4 974	5 852	7 126	8 767	10 749	13 046	15 629	18 471	-
40	-	5 444	6 703	8 305	10 222	12 427	14 893	17 593	-
45	-	-	6 202	7 785	9 658	11 793	14 164	16 743	-
50	-	-	-	7 178	9 027	11 113	13 410	15 889	-
55	-	-	-	-	8 301	10 358	12 601	15 001	-
60	-	-	-	-	-	9 499	11 708	14 049	-
65	-	-	-	-	-	-	10 700	13 002	-

Power input in W

30	2 547	2 564	2 576	2 577	2 560	2 520	2 452	2 350	-
35	2 888	2 884	2 882	2 879	2 867	2 841	2 796	2 725	-
40	-	3 250	3 229	3 215	3 201	3 182	3 153	3 107	-
45	-	-	3 633	3 601	3 578	3 559	3 539	3 511	-
50	-	-	-	4 053	4 015	3 989	3 971	3 954	-
55	-	-	-	-	4 527	4 488	4 465	4 453	-
60	-	-	-	-	-	5 073	5 038	5 023	-
65	-	-	-	-	-	-	5 707	5 682	-

Current consumption in A

30	4.68	4.77	4.83	4.87	4.88	4.88	4.87	4.85	-
35	5.05	5.11	5.15	5.18	5.19	5.18	5.18	5.17	-
40	-	5.59	5.61	5.62	5.62	5.61	5.61	5.61	-
45	-	-	6.20	6.19	6.18	6.17	6.17	6.18	-
50	-	-	-	6.90	6.88	6.86	6.86	6.88	-
55	-	-	-	-	7.72	7.70	7.70	7.72	-
60	-	-	-	-	-	8.68	8.67	8.70	-
65	-	-	-	-	-	-	9.80	9.83	-

Mass flow in kg/h

30	115	133	159	193	234	280	332	389	-
35	112	131	157	191	231	277	328	384	-
40	-	127	154	189	229	275	325	380	-
45	-	-	149	184	226	272	322	377	-
50	-	-	-	178	221	268	319	374	-
55	-	-	-	-	213	262	314	370	-
60	-	-	-	-	-	253	307	364	-
65	-	-	-	-	-	-	298	357	-

Coefficient of performance (C.O.P.)

30	2.08	2.41	2.91	3.57	4.40	5.43	6.69	8.26	-
35	1.72	2.03	2.47	3.05	3.75	4.59	5.59	6.78	-
40	-	1.68	2.08	2.58	3.19	3.91	4.72	5.66	-
45	-	-	1.71	2.16	2.70	3.31	4.00	4.77	-
50	-	-	-	1.77	2.25	2.79	3.38	4.02	-
55	-	-	-	-	1.83	2.31	2.82	3.37	-
60	-	-	-	-	-	1.87	2.32	2.80	-
65	-	-	-	-	-	-	1.88	2.29	-

Nominal performance at to = 5 °C, tc = 50 °C

Cooling capacity	13 410	W
Power input	3 971	W
Current consumption	6.86	A
Mass flow	319	kg/h
C.O.P.	3.38	

Pressure switch settings

Maximum HP switch setting	29	bar(g)
Minimum LP switch setting	0.5	bar(g)
LP pump down setting	1.3	bar(g)

Sound power data

Sound power level	70	dB(A)
With acoustic hood	65	dB(A)

to: Evaporating temperature at dew point

tc: Condensing temperature at dew point

Rating conditions : Superheat = 10 K , Subcooling = 0 K

All performance data +/- 5%

Danfoss can accept no responsibility for possible errors in catalogues, brochures and other printed material. Danfoss reserves the right to alter its products without notice. This also applies to products already on order provided that such alternations can be made without subsequential changes being necessary in specifications already agreed. All trademarks in this material are property of the respective companies. Danfoss and the Danfoss logotype are trademarks of Danfoss A/S. All rights reserved.

Performance data at 50 Hz, ARI rating conditions
R22

Cond. temp. in °C (tc)	Evaporating temperature in °C (to)							
	-25	-20	-15	-10	-5	0	5	10

Cooling capacity in W

30	5 632	6 569	7 951	9 749	11 933	14 473	17 341	20 507	-
35	-	6 232	7 582	9 321	11 419	13 848	16 577	19 578	-
40	-	-	7 160	8 863	10 899	13 239	15 853	18 713	-
45	-	-	6 654	8 344	10 341	12 615	15 138	17 879	-
50	-	-	-	7 731	9 712	11 945	14 399	17 045	-
55	-	-	-	-	8 981	11 195	13 604	16 178	-
60	-	-	-	-	-	10 334	12 721	15 247	-
65	-	-	-	-	-	-	11 717	14 218	-

Power input in W

30	2 547	2 564	2 576	2 577	2 560	2 520	2 452	2 350	-
35	-	2 884	2 882	2 879	2 867	2 841	2 796	2 725	-
40	-	-	3 229	3 215	3 201	3 182	3 153	3 107	-
45	-	-	3 633	3 601	3 578	3 559	3 539	3 511	-
50	-	-	-	4 053	4 015	3 989	3 971	3 954	-
55	-	-	-	-	4 527	4 488	4 465	4 453	-
60	-	-	-	-	-	5 073	5 038	5 023	-
65	-	-	-	-	-	-	5 707	5 682	-

Current consumption in A

30	4.68	4.77	4.83	4.87	4.88	4.88	4.87	4.85	-
35	-	5.11	5.15	5.18	5.19	5.18	5.18	5.17	-
40	-	-	5.61	5.62	5.62	5.61	5.61	5.61	-
45	-	-	6.20	6.19	6.18	6.17	6.17	6.18	-
50	-	-	-	6.90	6.88	6.86	6.86	6.88	-
55	-	-	-	-	7.72	7.70	7.70	7.72	-
60	-	-	-	-	-	8.68	8.67	8.70	-
65	-	-	-	-	-	-	9.80	9.83	-

Mass flow in kg/h

30	115	132	159	192	232	279	331	387	-
35	-	130	157	190	230	276	326	382	-
40	-	-	154	188	228	273	323	378	-
45	-	-	148	184	224	270	321	375	-
50	-	-	-	177	219	266	317	371	-
55	-	-	-	-	212	260	312	368	-
60	-	-	-	-	-	252	306	362	-
65	-	-	-	-	-	-	296	355	-

Coefficient of performance (C.O.P.)

30	2.21	2.56	3.09	3.78	4.66	5.74	7.07	8.73	-
35	-	2.16	2.63	3.24	3.98	4.87	5.93	7.18	-
40	-	-	2.22	2.76	3.41	4.16	5.03	6.02	-
45	-	-	1.83	2.32	2.89	3.54	4.28	5.09	-
50	-	-	-	1.91	2.42	2.99	3.63	4.31	-
55	-	-	-	-	1.98	2.49	3.05	3.63	-
60	-	-	-	-	-	2.04	2.52	3.04	-
65	-	-	-	-	-	-	2.05	2.50	-

Nominal performance at to = 7.2 °C, tc = 54.4 °C

Cooling capacity	14 820	W
Power input	4 396	W
Current consumption	7.60	A
Mass flow	337	kg/h
C.O.P.	3.37	

Pressure switch settings

Maximum HP switch setting	29	bar(g)
Minimum LP switch setting	0.5	bar(g)
LP pump down setting	1.3	bar(g)

Sound power data

Sound power level	70	dB(A)
With acoustic hood	65	dB(A)

to: Evaporating temperature at dew point

tc: Condensing temperature at dew point

Rating conditions : Superheat = 11.1 K , Subcooling = 8.3 K

All performance data +/- 5%

Danfoss can accept no responsibility for possible errors in catalogues, brochures and other printed material. Danfoss reserves the right to alter its products without notice. This also applies to products already on order provided that such alternations can be made without subsequential changes being necessary in specifications already agreed. All trademarks in this material are property of the respective companies. Danfoss and the Danfoss logotype are trademarks of Danfoss A/S. All rights reserved.

Performance data at 60 Hz, EN 12900 rating conditions

R22

Cond. temp. in °C (tc)	Evaporating temperature in °C (to)							
	-25	-20	-15	-10	-5	0	5	10

Cooling capacity in W

30	6 283	7 336	8 886	10 904	13 356	16 211	19 438	23 003	-
35	5 889	6 931	8 439	10 383	12 730	15 449	18 509	21 876	-
40	-	6 440	7 932	9 827	12 095	14 704	17 623	20 818	-
45	-	-	7 331	9 203	11 417	13 941	16 743	19 792	-
50	-	-	-	8 476	10 660	13 124	15 836	18 763	-
55	-	-	-	-	9 793	12 220	14 865	17 696	-
60	-	-	-	-	-	11 196	13 798	16 555	-
65	-	-	-	-	-	-	12 599	15 307	-

Power input in W

30	3 028	3 049	3 063	3 064	3 043	2 996	2 915	2 795	-
35	3 428	3 424	3 423	3 419	3 405	3 374	3 320	3 237	-
40	-	3 853	3 829	3 812	3 796	3 773	3 738	3 685	-
45	-	-	4 300	4 262	4 236	4 214	4 189	4 157	-
50	-	-	-	4 789	4 744	4 714	4 693	4 673	-
55	-	-	-	-	5 341	5 294	5 267	5 252	-
60	-	-	-	-	-	5 974	5 933	5 915	-
65	-	-	-	-	-	-	6 709	6 679	-

Current consumption in A

30	4.77	4.86	4.92	4.96	4.97	4.97	4.96	4.93	-
35	5.14	5.21	5.25	5.27	5.28	5.28	5.27	5.26	-
40	-	5.69	5.71	5.72	5.72	5.72	5.71	5.71	-
45	-	-	6.31	6.30	6.29	6.28	6.28	6.30	-
50	-	-	-	7.03	7.01	6.99	6.99	7.01	-
55	-	-	-	-	7.86	7.84	7.84	7.86	-
60	-	-	-	-	-	8.84	8.83	8.86	-
65	-	-	-	-	-	-	9.98	10.01	-

Mass flow in kg/h

30	137	158	189	229	277	332	394	461	-
35	133	155	187	226	274	328	389	455	-
40	-	150	183	223	271	325	385	449	-
45	-	-	176	218	267	321	381	445	-
50	-	-	-	210	260	316	377	441	-
55	-	-	-	-	251	309	371	436	-
60	-	-	-	-	-	299	362	429	-
65	-	-	-	-	-	-	351	420	-

Coefficient of performance (C.O.P.)

30	2.08	2.41	2.90	3.56	4.39	5.41	6.67	8.23	-
35	1.72	2.02	2.47	3.04	3.74	4.58	5.57	6.76	-
40	-	1.67	2.07	2.58	3.19	3.90	4.71	5.65	-
45	-	-	1.70	2.16	2.70	3.31	4.00	4.76	-
50	-	-	-	1.77	2.25	2.78	3.37	4.02	-
55	-	-	-	-	1.83	2.31	2.82	3.37	-
60	-	-	-	-	-	1.87	2.33	2.80	-
65	-	-	-	-	-	-	1.88	2.29	-

Nominal performance at to = 5 °C, tc = 50 °C

Cooling capacity	15 836	W
Power input	4 693	W
Current consumption	6.99	A
Mass flow	377	kg/h
C.O.P.	3.37	

Pressure switch settings

Maximum HP switch setting	29	bar(g)
Minimum LP switch setting	0.5	bar(g)
LP pump down setting	1.3	bar(g)

Sound power data

Sound power level	74	dB(A)
With acoustic hood	69	dB(A)

to: Evaporating temperature at dew point

tc: Condensing temperature at dew point

Rating conditions : Superheat = 10 K , Subcooling = 0 K

All performance data +/- 5%

Danfoss can accept no responsibility for possible errors in catalogues, brochures and other printed material. Danfoss reserves the right to alter its products without notice. This also applies to products already on order provided that such alternations can be made without subsequential changes being necessary in specifications already agreed. All trademarks in this material are property of the respective companies. Danfoss and the Danfoss logotype are trademarks of Danfoss A/S. All rights reserved.

Performance data at 60 Hz, ARI rating conditions

R22

Cond. temp. in °C (tc)	Evaporating temperature in °C (to)							
	-25	-20	-15	-10	-5	0	5	10

Cooling capacity in W

30	6 673	7 784	9 423	11 553	14 141	17 152	20 552	24 306	-
35	-	7 381	8 979	11 038	13 523	16 399	19 632	23 187	-
40	-	-	8 472	10 487	12 896	15 665	18 759	22 143	-
45	-	-	7 864	9 863	12 224	14 913	17 895	21 136	-
50	-	-	-	9 129	11 469	14 106	17 003	20 128	-
55	-	-	-	-	10 595	13 207	16 048	19 084	-
60	-	-	-	-	-	12 179	14 991	17 967	-
65	-	-	-	-	-	-	13 797	16 739	-

Power input in W

30	3 028	3 049	3 063	3 064	3 043	2 996	2 915	2 795	-
35	-	3 424	3 423	3 419	3 405	3 374	3 320	3 237	-
40	-	-	3 829	3 812	3 796	3 773	3 738	3 685	-
45	-	-	4 300	4 262	4 236	4 214	4 189	4 157	-
50	-	-	-	4 789	4 744	4 714	4 693	4 673	-
55	-	-	-	-	5 341	5 294	5 267	5 252	-
60	-	-	-	-	-	5 974	5 933	5 915	-
65	-	-	-	-	-	-	6 709	6 679	-

Current consumption in A

30	4.77	4.86	4.92	4.96	4.97	4.97	4.96	4.93	-
35	-	5.21	5.25	5.27	5.28	5.28	5.27	5.26	-
40	-	-	5.71	5.72	5.72	5.72	5.71	5.71	-
45	-	-	6.31	6.30	6.29	6.28	6.28	6.30	-
50	-	-	-	7.03	7.01	6.99	6.99	7.01	-
55	-	-	-	-	7.86	7.84	7.84	7.86	-
60	-	-	-	-	-	8.84	8.83	8.86	-
65	-	-	-	-	-	-	9.98	10.01	-

Mass flow in kg/h

30	136	157	188	228	275	330	392	459	-
35	-	154	186	225	272	327	387	452	-
40	-	-	182	222	269	323	383	447	-
45	-	-	175	217	265	319	379	443	-
50	-	-	-	209	259	314	375	439	-
55	-	-	-	-	250	307	369	434	-
60	-	-	-	-	-	297	360	427	-
65	-	-	-	-	-	-	349	417	-

Coefficient of performance (C.O.P.)

30	2.20	2.55	3.08	3.77	4.65	5.73	7.05	8.70	-
35	-	2.16	2.62	3.23	3.97	4.86	5.91	7.16	-
40	-	-	2.21	2.75	3.40	4.15	5.02	6.01	-
45	-	-	1.83	2.31	2.89	3.54	4.27	5.08	-
50	-	-	-	1.91	2.42	2.99	3.62	4.31	-
55	-	-	-	-	1.98	2.49	3.05	3.63	-
60	-	-	-	-	-	2.04	2.53	3.04	-
65	-	-	-	-	-	-	2.06	2.51	-

Nominal performance at to = 7.2 °C, tc = 54.4 °C

Cooling capacity	17 485	W
Power input	5 186	W
Current consumption	7.74	A
Mass flow	398	kg/h
C.O.P.	3.37	

Pressure switch settings

Maximum HP switch setting	29	bar(g)
Minimum LP switch setting	0.5	bar(g)
LP pump down setting	1.3	bar(g)

Sound power data

Sound power level	74	dB(A)
With acoustic hood	69	dB(A)

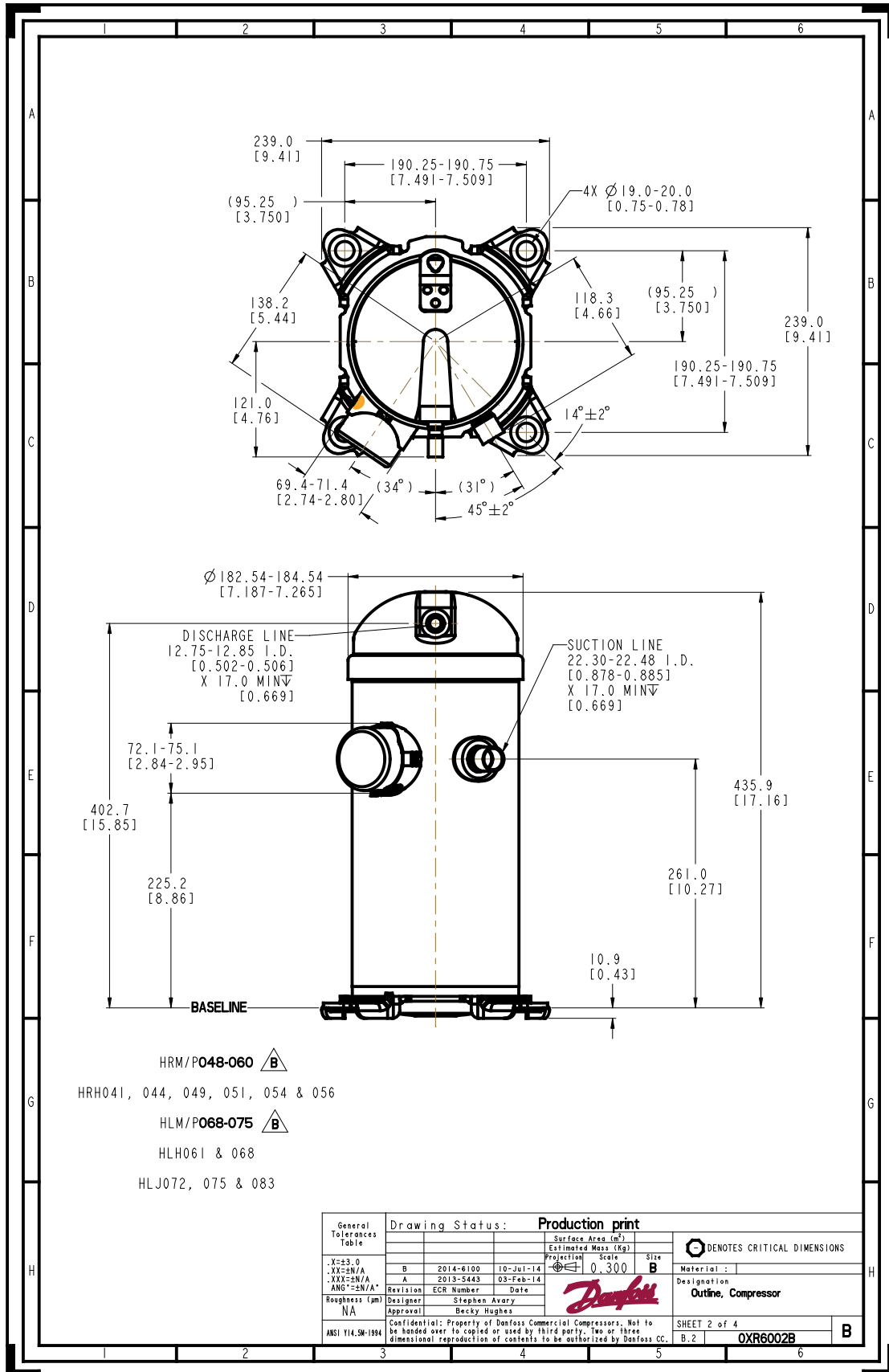
to: Evaporating temperature at dew point

tc: Condensing temperature at dew point

Rating conditions : Superheat = 11.1 K , Subcooling = 8.3 K

All performance data +/- 5%

Danfoss can accept no responsibility for possible errors in catalogues, brochures and other printed material. Danfoss reserves the right to alter its products without notice. This also applies to products already on order provided that such alternations can be made without subsequential changes being necessary in specifications already agreed. All trademarks in this material are property of the respective companies. Danfoss and the Danfoss logotype are trademarks of Danfoss A/S. All rights reserved.



Danfoss can accept no responsibility for possible errors in catalogues, brochures and other printed material. Danfoss reserves the right to alter its products without notice. This also applies to products already on order provided that such alternations can be made without consequential changes being necessary in specifications already agreed. All trademarks in this material are property of the respective companies. Danfoss, the Danfoss logotype and Maneurop are trademarks of Danfoss A/S. All rights reserved.