

Datasheets

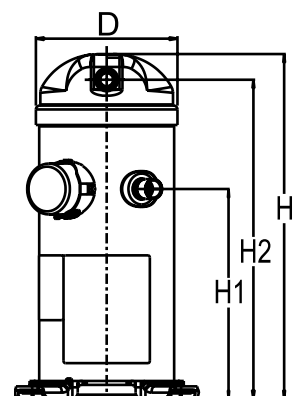
# Danfoss scroll compressors **H series**



**General Characteristics**

Model number (on compressor nameplate)		<b>HRP040T4LP6</b>
Code number for Singlepack*		120U1016
Code number for Industrial pack**		120U1013
Drawing number		0XC6301B-2
Suction and discharge connections		Brazed
Suction connection		3/4 " ODF
Discharge connection		1/2 " ODF
Oil sight glass		None
Oil equalisation connection		None
Oil drain connection		None
LP gauge port		None
IPR valve		Yes
Swept volume		54.4 cm3/rev
Displacement @ Nominal speed		9.5 m3/h @ 2900 rpm - 11.4 m3/h @ 3500 rpm
Net weight		30.84 kg
Oil charge		1.06 litre, PVE --
Maximum system test pressure Low Side / High side		- bar(g) / - bar(g)
Maximum differential test pressure		- bar
Maximum number of starts per hour		-
Refrigerant charge limit		3.63 kg
Approved refrigerants		R407C

**Dimensions**

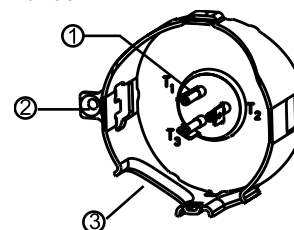


D=164.5 mm  
H=413 mm  
H1=250 mm  
H2=379 mm  
H3=- mm

**Electrical Characteristics**

Nominal voltage	380-415V/3/50Hz - 460V/3/60Hz
Voltage range	342-457 V @ 50Hz - 414-506 V @ 60Hz
Winding resistance between phases 1-2 +/- 7% at 25°C	4.664 Ω
Winding resistance between phases 1-3 +/- 7% at 25°C	4.660 Ω
Winding resistance between phases 2-3 +/- 7% at 25°C	3.420 Ω
Rated Load Amps (RLA)	7.4 A
Maximum Continuous Current (MCC)	11.5 A
Locked Rotor Amps (LRA)	45 A
Motor protection	Internal overload protector

**Terminal box**



IP22

- 1: Spade connectors 1/4"
- 2: Earth connection
- 3: Power cable passage

**Recommended Installation torques**

Oil sight glass	52.5 Nm
Power connections / Earth connection	0 Nm / 0 Nm

**Parts shipped with compressor**

Mounting kit with grommets and sleeves
Initial oil charge
Installation instructions

**Approvals** : CE certified, UL certified (file SA11565), -

\*Singlepack: Compressor in cardboard box

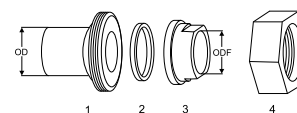
\*\*Industrial pack: 12 or 16 Unboxed compressors on pallet

**Rotolock accessories, suction side**
**Code no.**

Solder sleeve, P04 (1-1/4" Rotolock, 3/4" ODF)	8153008
Angle adapter, C04 (1-1/4" Rotolock, 3/4" ODF)	8168006
Rotolock valve, V04 (1-1/4" Rotolock, 3/4" ODF)	8168029
Gasket, 1-1/4"	8156131

**Rotolock accessories, discharge side**
**Code no.**

Solder sleeve, P06 (1" Rotolock, 1/2" ODF)	8153007
Angle adapter, C06 (1" Rotolock, 1/2" ODF)	8168007
Rotolock valve, V06 (1" Rotolock, 1/2" ODF)	8168031
Gasket, 1"	8156130

**Solder sleeve adapter set**


- 1: Rotolock adapter (Suc & Dis)
- 2: Gasket (Suc & Dis)
- 3: Solder sleeve (Suc & Dis)
- 4: Rotolock nut (Suc & Dis)

**Rotolock accessories, sets**
**Code no.**

Solder sleeve adapter set (1-1/4" Rotolock, 3/4" ODF), (1" Rotolock, 1/2" ODF)	120Z0126
Gasket set, 1", 1-1/4", 1-3/4", OSG gaskets black & white	8156009

**Oil / lubricants**
**Code no.**

PVE lubricant, 320HV (FVC68D), 1 litre can	120Z5034
--	----------

**Crankcase heaters**
**Code no.**

Belt type crankcase heater, 40 W, 230 V, CE mark, UL	120Z0055
Belt type crankcase heater, 40 W, 400 V, CE mark, UL	120Z0056

**Miscellaneous accessories**
**Code no.**

Acoustic hood	120Z5043
Discharge thermostat kit	7750009
IP54 upgrade kit	118U0056

**Spare parts**
**Code no.**

Mounting kit for 1 scroll compressor including 4 grommets, 4 sleeves, 4 bolts, 4 washers	120Z5005
Mounting kit, including 1 bolt, 1 sleeve, 1 washer	120Z5031
No translation for 120Z5015	120Z5015

Performance data at 50 Hz, EN 12900 rating conditions

**R407C**

Cond. temp. in °C (tc)	Evaporating temperature in °C (to)								
	-30	-25	-20	-15	-10	-5	0	5	10

**Cooling capacity in W**

30	-	2 823	3 626	4 599	5 764	7 139	8 746	10 605	12 737
35	-	2 641	3 404	4 327	5 429	6 732	8 255	10 019	12 044
40	-	2 445	3 168	4 040	5 082	6 312	7 752	9 422	11 342
45	-	-	2 915	3 738	4 719	5 878	7 235	8 811	10 626
50	-	-	-	3 416	4 337	5 425	6 701	8 184	9 895
55	-	-	-	-	3 935	4 953	6 147	7 537	9 143
60	-	-	-	-	-	4 456	5 569	6 867	8 369
65	-	-	-	-	-	-	4 965	6 169	7 567

**Power input in W**

30	-	1 784	1 772	1 765	1 759	1 747	1 727	1 692	1 637
35	-	2 025	2 007	1 996	1 987	1 974	1 954	1 921	1 870
40	-	2 294	2 271	2 256	2 244	2 231	2 212	2 182	2 136
45	-	-	2 568	2 549	2 536	2 523	2 506	2 479	2 438
50	-	-	-	2 881	2 867	2 854	2 839	2 816	2 781
55	-	-	-	-	3 240	3 229	3 217	3 199	3 170
60	-	-	-	-	-	3 652	3 644	3 630	3 608
65	-	-	-	-	-	-	4 123	4 116	4 101

**Current consumption in A**

30	-	3.61	3.65	3.68	3.69	3.69	3.69	3.68	3.67
35	-	3.85	3.89	3.91	3.93	3.94	3.95	3.96	3.97
40	-	4.13	4.16	4.18	4.19	4.21	4.22	4.24	4.26
45	-	-	4.49	4.49	4.50	4.51	4.52	4.54	4.58
50	-	-	-	4.88	4.87	4.86	4.87	4.89	4.93
55	-	-	-	-	5.32	5.30	5.29	5.30	5.33
60	-	-	-	-	-	5.84	5.81	5.80	5.82
65	-	-	-	-	-	-	6.44	6.41	6.41

**Mass flow in kg/h**

30	-	63	80	99	123	149	180	215	255
35	-	62	79	98	121	147	178	213	252
40	-	61	77	97	119	145	175	210	249
45	-	-	75	94	117	143	173	207	245
50	-	-	-	92	114	140	169	203	241
55	-	-	-	-	110	136	165	199	237
60	-	-	-	-	-	131	161	194	231
65	-	-	-	-	-	-	155	188	225

**Coefficient of performance (C.O.P.)**

30	-	1.58	2.05	2.61	3.28	4.09	5.07	6.27	7.78
35	-	1.30	1.70	2.17	2.73	3.41	4.22	5.22	6.44
40	-	1.07	1.40	1.79	2.26	2.83	3.50	4.32	5.31
45	-	-	1.14	1.47	1.86	2.33	2.89	3.55	4.36
50	-	-	-	1.19	1.51	1.90	2.36	2.91	3.56
55	-	-	-	-	1.21	1.53	1.91	2.36	2.88
60	-	-	-	-	-	1.22	1.53	1.89	2.32
65	-	-	-	-	-	-	1.20	1.50	1.85

**Nominal performance at to = 5 °C, tc = 50 °C**

Cooling capacity	8 184	W
Power input	2 816	W
Current consumption	4.89	A
Mass flow	203	kg/h
C.O.P.	2.91	

**Pressure switch settings**

Maximum HP switch setting	30	bar(g)
Minimum LP switch setting	0.5	bar(g)
LP pump down setting	1	bar(g)

**Sound power data**

Sound power level	67	dB(A)
With acoustic hood	62	dB(A)

to: Evaporating temperature at dew point

tc: Condensing temperature at dew point

Rating conditions : Superheat = 10 K , Subcooling = 0 K

All performance data +/- 5%

Danfoss can accept no responsibility for possible errors in catalogues, brochures and other printed material. Danfoss reserves the right to alter its products without notice. This also applies to products already on order provided that such alternations can be made without subsequential changes being necessary in specifications already agreed. All trademarks in this material are property of the respective companies. Danfoss and the Danfoss logotype are trademarks of Danfoss A/S. All rights reserved.

**Performance data at 50 Hz, ARI rating conditions**
**R407C**

Cond. temp. in °C (tc)	Evaporating temperature in °C (to)								
	-30	-25	-20	-15	-10	-5	0	5	10

**Cooling capacity in W**

30	-	3 031	3 889	4 927	6 168	7 631	9 339	11 313	13 574
35	-	2 851	3 669	4 657	5 836	7 228	8 853	10 734	12 890
40	-	2 654	3 434	4 373	5 492	6 813	8 356	10 144	12 197
45	-	-	3 180	4 071	5 131	6 382	7 845	9 541	11 492
50	-	-	-	3 749	4 751	5 933	7 316	8 922	10 771
55	-	-	-	-	4 348	5 463	6 767	8 283	10 032
60	-	-	-	-	-	4 968	6 195	7 622	9 271
65	-	-	-	-	-	-	5 595	6 935	8 486

**Power input in W**

30	-	1 784	1 772	1 765	1 759	1 747	1 727	1 692	1 637
35	-	2 025	2 007	1 996	1 987	1 974	1 954	1 921	1 870
40	-	2 294	2 271	2 256	2 244	2 231	2 212	2 182	2 136
45	-	-	2 568	2 549	2 536	2 523	2 506	2 479	2 438
50	-	-	-	2 881	2 867	2 854	2 839	2 816	2 781
55	-	-	-	-	3 240	3 229	3 217	3 199	3 170
60	-	-	-	-	-	3 652	3 644	3 630	3 608
65	-	-	-	-	-	-	4 123	4 116	4 101

**Current consumption in A**

30	-	3.61	3.65	3.68	3.69	3.69	3.69	3.68	3.67
35	-	3.85	3.89	3.91	3.93	3.94	3.95	3.96	3.97
40	-	4.13	4.16	4.18	4.19	4.21	4.22	4.24	4.26
45	-	-	4.49	4.49	4.50	4.51	4.52	4.54	4.58
50	-	-	-	4.88	4.87	4.86	4.87	4.89	4.93
55	-	-	-	-	5.32	5.30	5.29	5.30	5.33
60	-	-	-	-	-	5.84	5.81	5.80	5.82
65	-	-	-	-	-	-	6.44	6.41	6.41

**Mass flow in kg/h**

30	-	63	79	99	122	149	179	214	253
35	-	62	78	98	120	147	177	211	250
40	-	61	77	96	119	145	174	209	247
45	-	-	75	94	116	142	172	205	244
50	-	-	-	91	113	139	168	202	240
55	-	-	-	-	110	135	164	198	235
60	-	-	-	-	-	131	160	193	230
65	-	-	-	-	-	-	154	187	224

**Coefficient of performance (C.O.P.)**

30	-	1.70	2.19	2.79	3.51	4.37	5.41	6.69	8.29
35	-	1.41	1.83	2.33	2.94	3.66	4.53	5.59	6.89
40	-	1.16	1.51	1.94	2.45	3.05	3.78	4.65	5.71
45	-	-	1.24	1.60	2.02	2.53	3.13	3.85	4.71
50	-	-	-	1.30	1.66	2.08	2.58	3.17	3.87
55	-	-	-	-	1.34	1.69	2.10	2.59	3.17
60	-	-	-	-	-	1.36	1.70	2.10	2.57
65	-	-	-	-	-	-	1.36	1.68	2.07

**Nominal performance at to = 7.2 °C, tc = 54.4 °C**

Cooling capacity	9 106	W
Power input	3 139	W
Current consumption	5.26	A
Mass flow	214	kg/h
C.O.P.	2.90	

**Pressure switch settings**

Maximum HP switch setting	30	bar(g)
Minimum LP switch setting	0.5	bar(g)
LP pump down setting	1	bar(g)

**Sound power data**

Sound power level	67	dB(A)
With acoustic hood	62	dB(A)

to: Evaporating temperature at dew point

tc: Condensing temperature at dew point

Rating conditions : Superheat = 11.1 K , Subcooling = 8.3 K

All performance data +/- 5%

Danfoss can accept no responsibility for possible errors in catalogues, brochures and other printed material. Danfoss reserves the right to alter its products without notice. This also applies to products already on order provided that such alternations can be made without subsequential changes being necessary in specifications already agreed. All trademarks in this material are property of the respective companies. Danfoss and the Danfoss logotype are trademarks of Danfoss A/S. All rights reserved.

Performance data at 50 Hz, EN 12900 rating conditions

**R407C**

Cond. temp. in °C (tc)	Evaporating temperature in °C (to)								
	-30	-25	-20	-15	-10	-5	0	5	10

**Cooling capacity in W**

30	-	2 823	3 626	4 599	5 764	7 139	8 746	10 605	12 737
35	-	2 641	3 404	4 327	5 429	6 732	8 255	10 019	12 044
40	-	2 445	3 168	4 040	5 082	6 312	7 752	9 422	11 342
45	-	-	2 915	3 738	4 719	5 878	7 235	8 811	10 626
50	-	-	-	3 416	4 337	5 425	6 701	8 184	9 895
55	-	-	-	-	3 935	4 953	6 147	7 537	9 143
60	-	-	-	-	-	4 456	5 569	6 867	8 369
65	-	-	-	-	-	-	4 965	6 169	7 567

**Power input in W**

30	-	1 784	1 772	1 765	1 759	1 747	1 727	1 692	1 637
35	-	2 025	2 007	1 996	1 987	1 974	1 954	1 921	1 870
40	-	2 294	2 271	2 256	2 244	2 231	2 212	2 182	2 136
45	-	-	2 568	2 549	2 536	2 523	2 506	2 479	2 438
50	-	-	-	2 881	2 867	2 854	2 839	2 816	2 781
55	-	-	-	-	3 240	3 229	3 217	3 199	3 170
60	-	-	-	-	-	3 652	3 644	3 630	3 608
65	-	-	-	-	-	-	4 123	4 116	4 101

**Current consumption in A**

30	-	3.61	3.65	3.68	3.69	3.69	3.69	3.68	3.67
35	-	3.85	3.89	3.91	3.93	3.94	3.95	3.96	3.97
40	-	4.13	4.16	4.18	4.19	4.21	4.22	4.24	4.26
45	-	-	4.49	4.49	4.50	4.51	4.52	4.54	4.58
50	-	-	-	4.88	4.87	4.86	4.87	4.89	4.93
55	-	-	-	-	5.32	5.30	5.29	5.30	5.33
60	-	-	-	-	-	5.84	5.81	5.80	5.82
65	-	-	-	-	-	-	6.44	6.41	6.41

**Mass flow in kg/h**

30	-	63	80	99	123	149	180	215	255
35	-	62	79	98	121	147	178	213	252
40	-	61	77	97	119	145	175	210	249
45	-	-	75	94	117	143	173	207	245
50	-	-	-	92	114	140	169	203	241
55	-	-	-	-	110	136	165	199	237
60	-	-	-	-	-	131	161	194	231
65	-	-	-	-	-	-	155	188	225

**Coefficient of performance (C.O.P.)**

30	-	1.58	2.05	2.61	3.28	4.09	5.07	6.27	7.78
35	-	1.30	1.70	2.17	2.73	3.41	4.22	5.22	6.44
40	-	1.07	1.40	1.79	2.26	2.83	3.50	4.32	5.31
45	-	-	1.14	1.47	1.86	2.33	2.89	3.55	4.36
50	-	-	-	1.19	1.51	1.90	2.36	2.91	3.56
55	-	-	-	-	1.21	1.53	1.91	2.36	2.88
60	-	-	-	-	-	1.22	1.53	1.89	2.32
65	-	-	-	-	-	-	1.20	1.50	1.85

**Nominal performance at to = 5 °C, tc = 50 °C**

Cooling capacity	8 184	W
Power input	2 816	W
Current consumption	4.89	A
Mass flow	203	kg/h
C.O.P.	2.91	

**Pressure switch settings**

Maximum HP switch setting	30	bar(g)
Minimum LP switch setting	0.5	bar(g)
LP pump down setting	1	bar(g)

**Sound power data**

Sound power level	67	dB(A)
With acoustic hood	62	dB(A)

to: Evaporating temperature at dew point

tc: Condensing temperature at dew point

Rating conditions : Superheat = 10 K , Subcooling = 0 K

All performance data +/- 5%

Danfoss can accept no responsibility for possible errors in catalogues, brochures and other printed material. Danfoss reserves the right to alter its products without notice. This also applies to products already on order provided that such alternations can be made without subsequential changes being necessary in specifications already agreed. All trademarks in this material are property of the respective companies. Danfoss and the Danfoss logotype are trademarks of Danfoss A/S. All rights reserved.

**Performance data at 50 Hz, ARI rating conditions**
**R407C**

Cond. temp. in °C (tc)	Evaporating temperature in °C (to)								
	-30	-25	-20	-15	-10	-5	0	5	10

**Cooling capacity in W**

30	-	3 031	3 889	4 927	6 168	7 631	9 339	11 313	13 574
35	-	2 851	3 669	4 657	5 836	7 228	8 853	10 734	12 890
40	-	2 654	3 434	4 373	5 492	6 813	8 356	10 144	12 197
45	-	-	3 180	4 071	5 131	6 382	7 845	9 541	11 492
50	-	-	-	3 749	4 751	5 933	7 316	8 922	10 771
55	-	-	-	-	4 348	5 463	6 767	8 283	10 032
60	-	-	-	-	-	4 968	6 195	7 622	9 271
65	-	-	-	-	-	-	5 595	6 935	8 486

**Power input in W**

30	-	1 784	1 772	1 765	1 759	1 747	1 727	1 692	1 637
35	-	2 025	2 007	1 996	1 987	1 974	1 954	1 921	1 870
40	-	2 294	2 271	2 256	2 244	2 231	2 212	2 182	2 136
45	-	-	2 568	2 549	2 536	2 523	2 506	2 479	2 438
50	-	-	-	2 881	2 867	2 854	2 839	2 816	2 781
55	-	-	-	-	3 240	3 229	3 217	3 199	3 170
60	-	-	-	-	-	3 652	3 644	3 630	3 608
65	-	-	-	-	-	-	4 123	4 116	4 101

**Current consumption in A**

30	-	3.61	3.65	3.68	3.69	3.69	3.69	3.68	3.67
35	-	3.85	3.89	3.91	3.93	3.94	3.95	3.96	3.97
40	-	4.13	4.16	4.18	4.19	4.21	4.22	4.24	4.26
45	-	-	4.49	4.49	4.50	4.51	4.52	4.54	4.58
50	-	-	-	4.88	4.87	4.86	4.87	4.89	4.93
55	-	-	-	-	5.32	5.30	5.29	5.30	5.33
60	-	-	-	-	-	5.84	5.81	5.80	5.82
65	-	-	-	-	-	-	6.44	6.41	6.41

**Mass flow in kg/h**

30	-	63	79	99	122	149	179	214	253
35	-	62	78	98	120	147	177	211	250
40	-	61	77	96	119	145	174	209	247
45	-	-	75	94	116	142	172	205	244
50	-	-	-	91	113	139	168	202	240
55	-	-	-	-	110	135	164	198	235
60	-	-	-	-	-	131	160	193	230
65	-	-	-	-	-	-	154	187	224

**Coefficient of performance (C.O.P.)**

30	-	1.70	2.19	2.79	3.51	4.37	5.41	6.69	8.29
35	-	1.41	1.83	2.33	2.94	3.66	4.53	5.59	6.89
40	-	1.16	1.51	1.94	2.45	3.05	3.78	4.65	5.71
45	-	-	1.24	1.60	2.02	2.53	3.13	3.85	4.71
50	-	-	-	1.30	1.66	2.08	2.58	3.17	3.87
55	-	-	-	-	1.34	1.69	2.10	2.59	3.17
60	-	-	-	-	-	1.36	1.70	2.10	2.57
65	-	-	-	-	-	-	1.36	1.68	2.07

**Nominal performance at to = 7.2 °C, tc = 54.4 °C**

Cooling capacity	9 106	W
Power input	3 139	W
Current consumption	5.26	A
Mass flow	214	kg/h
C.O.P.	2.90	

**Pressure switch settings**

Maximum HP switch setting	30	bar(g)
Minimum LP switch setting	0.5	bar(g)
LP pump down setting	1	bar(g)

**Sound power data**

Sound power level	67	dB(A)
With acoustic hood	62	dB(A)

to: Evaporating temperature at dew point

tc: Condensing temperature at dew point

Rating conditions : Superheat = 11.1 K , Subcooling = 8.3 K

All performance data +/- 5%

Danfoss can accept no responsibility for possible errors in catalogues, brochures and other printed material. Danfoss reserves the right to alter its products without notice. This also applies to products already on order provided that such alternations can be made without subsequential changes being necessary in specifications already agreed. All trademarks in this material are property of the respective companies. Danfoss and the Danfoss logotype are trademarks of Danfoss A/S. All rights reserved.

**Performance data at 60 Hz, EN 12900 rating conditions**
**R407C**

Cond. temp. in °C (tc)	Evaporating temperature in °C (to)								
	-30	-25	-20	-15	-10	-5	0	5	10

**Cooling capacity in W**

30	-	3 490	4 449	5 616	7 017	8 677	10 619	12 870	15 455
35	-	3 230	4 142	5 251	6 581	8 157	10 005	12 148	14 611
40	-	2 985	3 846	4 891	6 146	7 634	9 381	11 412	13 750
45	-	-	3 556	4 534	5 709	7 105	8 747	10 659	12 867
50	-	-	-	4 176	5 266	6 565	8 097	9 887	11 960
55	-	-	-	-	4 815	6 013	7 430	9 093	11 025
60	-	-	-	-	-	5 444	6 742	8 273	10 059
65	-	-	-	-	-	-	6 030	7 422	9 058

**Power input in W**

30	-	1 661	1 705	1 760	1 823	1 890	1 959	2 025	2 086
35	-	2 066	2 082	2 109	2 143	2 182	2 222	2 260	2 292
40	-	2 481	2 475	2 480	2 493	2 510	2 528	2 544	2 555
45	-	-	2 891	2 881	2 879	2 881	2 884	2 885	2 880
50	-	-	-	3 320	3 309	3 303	3 298	3 290	3 277
55	-	-	-	-	3 791	3 783	3 776	3 767	3 751
60	-	-	-	-	-	4 329	4 327	4 322	4 311
65	-	-	-	-	-	-	4 957	4 964	4 964

**Current consumption in A**

30	-	3.27	3.22	3.28	3.42	3.57	3.72	3.80	3.78
35	-	4.13	3.99	3.98	4.04	4.14	4.23	4.27	4.22
40	-	4.72	4.52	4.44	4.45	4.51	4.56	4.58	4.51
45	-	-	4.90	4.78	4.76	4.78	4.82	4.82	4.75
50	-	-	-	5.11	5.06	5.08	5.11	5.12	5.06
55	-	-	-	-	5.47	5.49	5.54	5.57	5.54
60	-	-	-	-	-	6.14	6.21	6.27	6.29
65	-	-	-	-	-	-	7.23	7.35	7.42

**Mass flow in kg/h**

30	-	79	99	123	150	182	218	261	309
35	-	78	97	120	147	179	215	258	306
40	-	76	95	118	144	176	212	254	302
45	-	-	92	114	141	172	208	250	298
50	-	-	-	110	136	167	203	245	292
55	-	-	-	-	131	161	197	239	286
60	-	-	-	-	-	155	190	231	279
65	-	-	-	-	-	-	182	223	271

**Coefficient of performance (C.O.P.)**

30	-	2.10	2.61	3.19	3.85	4.59	5.42	6.36	7.41
35	-	1.56	1.99	2.49	3.07	3.74	4.50	5.38	6.37
40	-	1.20	1.55	1.97	2.47	3.04	3.71	4.49	5.38
45	-	-	1.23	1.57	1.98	2.47	3.03	3.69	4.47
50	-	-	-	1.26	1.59	1.99	2.46	3.01	3.65
55	-	-	-	-	1.27	1.59	1.97	2.41	2.94
60	-	-	-	-	-	1.26	1.56	1.91	2.33
65	-	-	-	-	-	-	1.22	1.50	1.82

**Nominal performance at to = 5 °C, tc = 50 °C**

Cooling capacity	9 887	W
Power input	3 290	W
Current consumption	5.12	A
Mass flow	245	kg/h
C.O.P.	3.01	

**Pressure switch settings**

Maximum HP switch setting	30	bar(g)
Minimum LP switch setting	0.5	bar(g)
LP pump down setting	1	bar(g)

**Sound power data**

Sound power level	71	dB(A)
With acoustic hood	66	dB(A)

to: Evaporating temperature at dew point

tc: Condensing temperature at dew point

Rating conditions : Superheat = 10 K , Subcooling = 0 K

All performance data +/- 5%

Danfoss can accept no responsibility for possible errors in catalogues, brochures and other printed material. Danfoss reserves the right to alter its products without notice. This also applies to products already on order provided that such alternations can be made without subsequential changes being necessary in specifications already agreed. All trademarks in this material are property of the respective companies. Danfoss and the Danfoss logotype are trademarks of Danfoss A/S. All rights reserved.



**Performance data at 60 Hz, ARI rating conditions**
**R407C**

Cond. temp. in °C (tc)	Evaporating temperature in °C (to)								
	-30	-25	-20	-15	-10	-5	0	5	10

**Cooling capacity in W**

30	-	3 748	4 771	6 017	7 509	9 275	11 340	13 730	16 471
35	-	3 486	4 464	5 652	7 075	8 759	10 730	13 015	15 638
40	-	3 240	4 168	5 293	6 642	8 240	10 113	12 286	14 787
45	-	-	3 880	4 938	6 208	7 714	9 484	11 542	13 915
50	-	-	-	4 583	5 769	7 179	8 841	10 779	13 019
55	-	-	-	-	5 322	6 632	8 180	9 993	12 097
60	-	-	-	-	-	6 068	7 499	9 183	11 144
65	-	-	-	-	-	-	6 795	8 344	10 159

**Power input in W**

30	-	1 661	1 705	1 760	1 823	1 890	1 959	2 025	2 086
35	-	2 066	2 082	2 109	2 143	2 182	2 222	2 260	2 292
40	-	2 481	2 475	2 480	2 493	2 510	2 528	2 544	2 555
45	-	-	2 891	2 881	2 879	2 881	2 884	2 885	2 880
50	-	-	-	3 320	3 309	3 303	3 298	3 290	3 277
55	-	-	-	-	3 791	3 783	3 776	3 767	3 751
60	-	-	-	-	-	4 329	4 327	4 322	4 311
65	-	-	-	-	-	-	4 957	4 964	4 964

**Current consumption in A**

30	-	3.27	3.22	3.28	3.42	3.57	3.72	3.80	3.78
35	-	4.13	3.99	3.98	4.04	4.14	4.23	4.27	4.22
40	-	4.72	4.52	4.44	4.45	4.51	4.56	4.58	4.51
45	-	-	4.90	4.78	4.76	4.78	4.82	4.82	4.75
50	-	-	-	5.11	5.06	5.08	5.11	5.12	5.06
55	-	-	-	-	5.47	5.49	5.54	5.57	5.54
60	-	-	-	-	-	6.14	6.21	6.27	6.29
65	-	-	-	-	-	-	7.23	7.35	7.42

**Mass flow in kg/h**

30	-	79	99	122	149	181	217	259	307
35	-	77	97	120	147	178	214	256	304
40	-	75	94	117	144	175	211	252	300
45	-	-	91	114	140	171	207	248	296
50	-	-	-	110	136	166	202	243	291
55	-	-	-	-	130	160	196	237	285
60	-	-	-	-	-	154	189	230	277
65	-	-	-	-	-	-	181	222	269

**Coefficient of performance (C.O.P.)**

30	-	2.26	2.80	3.42	4.12	4.91	5.79	6.78	7.89
35	-	1.69	2.14	2.68	3.30	4.01	4.83	5.76	6.82
40	-	1.31	1.68	2.13	2.66	3.28	4.00	4.83	5.79
45	-	-	1.34	1.71	2.16	2.68	3.29	4.00	4.83
50	-	-	-	1.38	1.74	2.17	2.68	3.28	3.97
55	-	-	-	-	1.40	1.75	2.17	2.65	3.22
60	-	-	-	-	-	1.40	1.73	2.12	2.58
65	-	-	-	-	-	-	1.37	1.68	2.05

**Nominal performance at to = 7.2 °C, tc = 54.4 °C**

Cooling capacity	10 984	W
Power input	3 700	W
Current consumption	5.50	A
Mass flow	258	kg/h
C.O.P.	2.97	

**Pressure switch settings**

Maximum HP switch setting	30	bar(g)
Minimum LP switch setting	0.5	bar(g)
LP pump down setting	1	bar(g)

**Sound power data**

Sound power level	71	dB(A)
With acoustic hood	66	dB(A)

to: Evaporating temperature at dew point

tc: Condensing temperature at dew point

Rating conditions : Superheat = 11.1 K , Subcooling = 8.3 K

All performance data +/- 5%

Danfoss can accept no responsibility for possible errors in catalogues, brochures and other printed material. Danfoss reserves the right to alter its products without notice. This also applies to products already on order provided that such alternations can be made without subsequential changes being necessary in specifications already agreed. All trademarks in this material are property of the respective companies. Danfoss and the Danfoss logotype are trademarks of Danfoss A/S. All rights reserved.

**Performance data at 60 Hz, EN 12900 rating conditions**
**R407C**

Cond. temp. in °C (tc)	Evaporating temperature in °C (to)								
	-30	-25	-20	-15	-10	-5	0	5	10

**Cooling capacity in W**

30	-	3 490	4 449	5 616	7 017	8 677	10 619	12 870	15 455
35	-	3 230	4 142	5 251	6 581	8 157	10 005	12 148	14 611
40	-	2 985	3 846	4 891	6 146	7 634	9 381	11 412	13 750
45	-	-	3 556	4 534	5 709	7 105	8 747	10 659	12 867
50	-	-	-	4 176	5 266	6 565	8 097	9 887	11 960
55	-	-	-	-	4 815	6 013	7 430	9 093	11 025
60	-	-	-	-	-	5 444	6 742	8 273	10 059
65	-	-	-	-	-	-	6 030	7 422	9 058

**Power input in W**

30	-	1 661	1 705	1 760	1 823	1 890	1 959	2 025	2 086
35	-	2 066	2 082	2 109	2 143	2 182	2 222	2 260	2 292
40	-	2 481	2 475	2 480	2 493	2 510	2 528	2 544	2 555
45	-	-	2 891	2 881	2 879	2 881	2 884	2 885	2 880
50	-	-	-	3 320	3 309	3 303	3 298	3 290	3 277
55	-	-	-	-	3 791	3 783	3 776	3 767	3 751
60	-	-	-	-	-	4 329	4 327	4 322	4 311
65	-	-	-	-	-	-	4 957	4 964	4 964

**Current consumption in A**

30	-	3.27	3.22	3.28	3.42	3.57	3.72	3.80	3.78
35	-	4.13	3.99	3.98	4.04	4.14	4.23	4.27	4.22
40	-	4.72	4.52	4.44	4.45	4.51	4.56	4.58	4.51
45	-	-	4.90	4.78	4.76	4.78	4.82	4.82	4.75
50	-	-	-	5.11	5.06	5.08	5.11	5.12	5.06
55	-	-	-	-	5.47	5.49	5.54	5.57	5.54
60	-	-	-	-	-	6.14	6.21	6.27	6.29
65	-	-	-	-	-	-	7.23	7.35	7.42

**Mass flow in kg/h**

30	-	79	99	123	150	182	218	261	309
35	-	78	97	120	147	179	215	258	306
40	-	76	95	118	144	176	212	254	302
45	-	-	92	114	141	172	208	250	298
50	-	-	-	110	136	167	203	245	292
55	-	-	-	-	131	161	197	239	286
60	-	-	-	-	-	155	190	231	279
65	-	-	-	-	-	-	182	223	271

**Coefficient of performance (C.O.P.)**

30	-	2.10	2.61	3.19	3.85	4.59	5.42	6.36	7.41
35	-	1.56	1.99	2.49	3.07	3.74	4.50	5.38	6.37
40	-	1.20	1.55	1.97	2.47	3.04	3.71	4.49	5.38
45	-	-	1.23	1.57	1.98	2.47	3.03	3.69	4.47
50	-	-	-	1.26	1.59	1.99	2.46	3.01	3.65
55	-	-	-	-	1.27	1.59	1.97	2.41	2.94
60	-	-	-	-	-	1.26	1.56	1.91	2.33
65	-	-	-	-	-	-	1.22	1.50	1.82

**Nominal performance at to = 5 °C, tc = 50 °C**

Cooling capacity	9 887	W
Power input	3 290	W
Current consumption	5.12	A
Mass flow	245	kg/h
C.O.P.	3.01	

**Pressure switch settings**

Maximum HP switch setting	30	bar(g)
Minimum LP switch setting	0.5	bar(g)
LP pump down setting	1	bar(g)

**Sound power data**

Sound power level	71	dB(A)
With acoustic hood	66	dB(A)

to: Evaporating temperature at dew point

tc: Condensing temperature at dew point

Rating conditions : Superheat = 10 K , Subcooling = 0 K

All performance data +/- 5%

Danfoss can accept no responsibility for possible errors in catalogues, brochures and other printed material. Danfoss reserves the right to alter its products without notice. This also applies to products already on order provided that such alternations can be made without subsequential changes being necessary in specifications already agreed. All trademarks in this material are property of the respective companies. Danfoss and the Danfoss logotype are trademarks of Danfoss A/S. All rights reserved.

**Performance data at 60 Hz, ARI rating conditions**
**R407C**

Cond. temp. in °C (tc)	Evaporating temperature in °C (to)								
	-30	-25	-20	-15	-10	-5	0	5	10

**Cooling capacity in W**

30	-	3 748	4 771	6 017	7 509	9 275	11 340	13 730	16 471
35	-	3 486	4 464	5 652	7 075	8 759	10 730	13 015	15 638
40	-	3 240	4 168	5 293	6 642	8 240	10 113	12 286	14 787
45	-	-	3 880	4 938	6 208	7 714	9 484	11 542	13 915
50	-	-	-	4 583	5 769	7 179	8 841	10 779	13 019
55	-	-	-	-	5 322	6 632	8 180	9 993	12 097
60	-	-	-	-	-	6 068	7 499	9 183	11 144
65	-	-	-	-	-	-	6 795	8 344	10 159

**Power input in W**

30	-	1 661	1 705	1 760	1 823	1 890	1 959	2 025	2 086
35	-	2 066	2 082	2 109	2 143	2 182	2 222	2 260	2 292
40	-	2 481	2 475	2 480	2 493	2 510	2 528	2 544	2 555
45	-	-	2 891	2 881	2 879	2 881	2 884	2 885	2 880
50	-	-	-	3 320	3 309	3 303	3 298	3 290	3 277
55	-	-	-	-	3 791	3 783	3 776	3 767	3 751
60	-	-	-	-	-	4 329	4 327	4 322	4 311
65	-	-	-	-	-	-	4 957	4 964	4 964

**Current consumption in A**

30	-	3.27	3.22	3.28	3.42	3.57	3.72	3.80	3.78
35	-	4.13	3.99	3.98	4.04	4.14	4.23	4.27	4.22
40	-	4.72	4.52	4.44	4.45	4.51	4.56	4.58	4.51
45	-	-	4.90	4.78	4.76	4.78	4.82	4.82	4.75
50	-	-	-	5.11	5.06	5.08	5.11	5.12	5.06
55	-	-	-	-	5.47	5.49	5.54	5.57	5.54
60	-	-	-	-	-	6.14	6.21	6.27	6.29
65	-	-	-	-	-	-	7.23	7.35	7.42

**Mass flow in kg/h**

30	-	79	99	122	149	181	217	259	307
35	-	77	97	120	147	178	214	256	304
40	-	75	94	117	144	175	211	252	300
45	-	-	91	114	140	171	207	248	296
50	-	-	-	110	136	166	202	243	291
55	-	-	-	-	130	160	196	237	285
60	-	-	-	-	-	154	189	230	277
65	-	-	-	-	-	-	181	222	269

**Coefficient of performance (C.O.P.)**

30	-	2.26	2.80	3.42	4.12	4.91	5.79	6.78	7.89
35	-	1.69	2.14	2.68	3.30	4.01	4.83	5.76	6.82
40	-	1.31	1.68	2.13	2.66	3.28	4.00	4.83	5.79
45	-	-	1.34	1.71	2.16	2.68	3.29	4.00	4.83
50	-	-	-	1.38	1.74	2.17	2.68	3.28	3.97
55	-	-	-	-	1.40	1.75	2.17	2.65	3.22
60	-	-	-	-	-	1.40	1.73	2.12	2.58
65	-	-	-	-	-	-	1.37	1.68	2.05

**Nominal performance at to = 7.2 °C, tc = 54.4 °C**

Cooling capacity	10 984	W
Power input	3 700	W
Current consumption	5.50	A
Mass flow	258	kg/h
C.O.P.	2.97	

**Pressure switch settings**

Maximum HP switch setting	30	bar(g)
Minimum LP switch setting	0.5	bar(g)
LP pump down setting	1	bar(g)

**Sound power data**

Sound power level	71	dB(A)
With acoustic hood	66	dB(A)

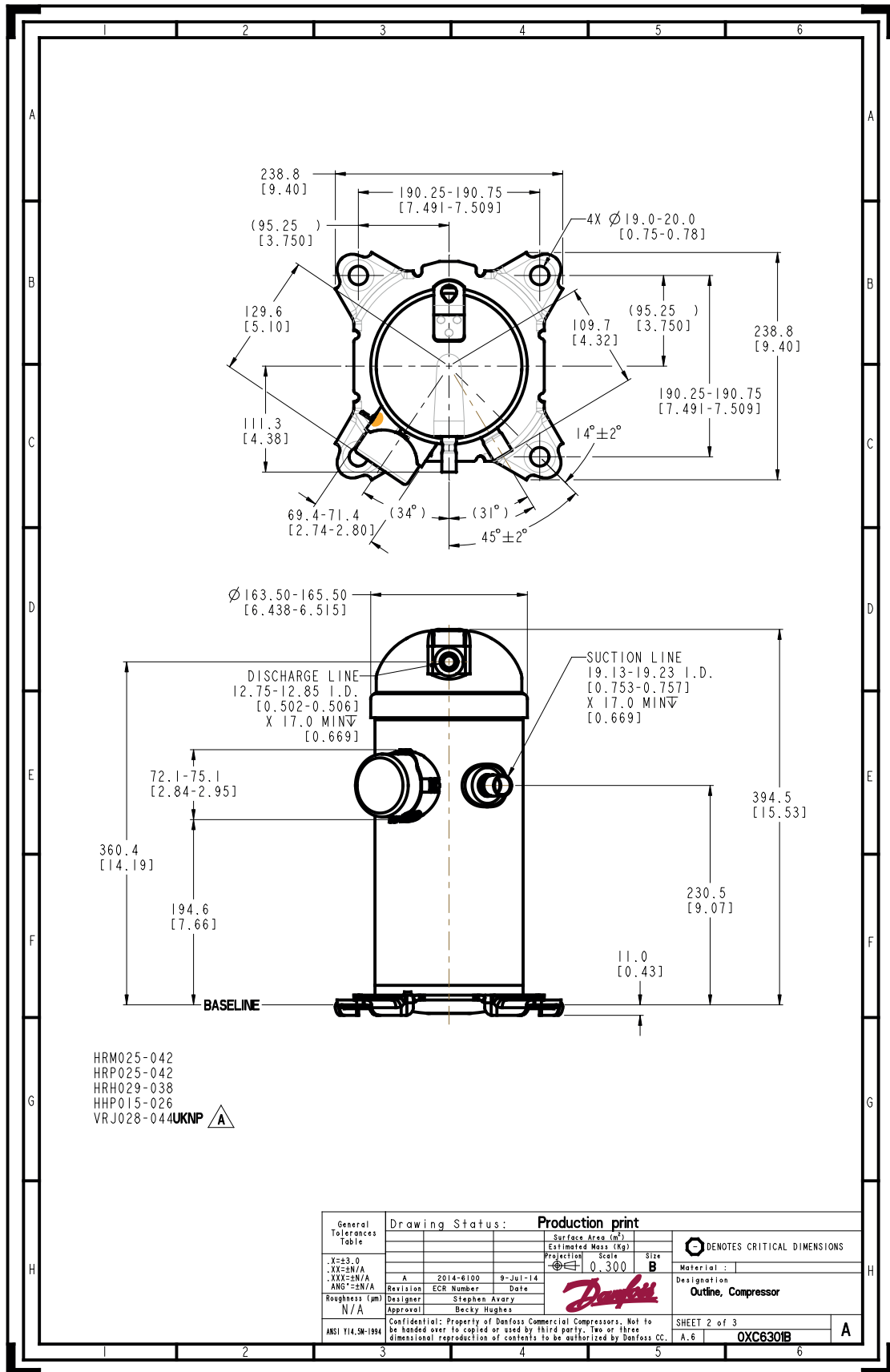
to: Evaporating temperature at dew point

tc: Condensing temperature at dew point

Rating conditions : Superheat = 11.1 K , Subcooling = 8.3 K

All performance data +/- 5%

Danfoss can accept no responsibility for possible errors in catalogues, brochures and other printed material. Danfoss reserves the right to alter its products without notice. This also applies to products already on order provided that such alternations can be made without subsequential changes being necessary in specifications already agreed. All trademarks in this material are property of the respective companies. Danfoss and the Danfoss logotype are trademarks of Danfoss A/S. All rights reserved.



Danfoss can accept no responsibility for possible errors in catalogues, brochures and other printed material. Danfoss reserves the right to alter its products without notice. This also applies to products already on order provided that such alternations can be made without subsequential changes being necessary in specifications already agreed. All trademarks in this material are property of the respective companies. Danfoss, the Danfoss logotype and Maneurop are trademarks of Danfoss A/S. All rights reserved.