

Datasheets

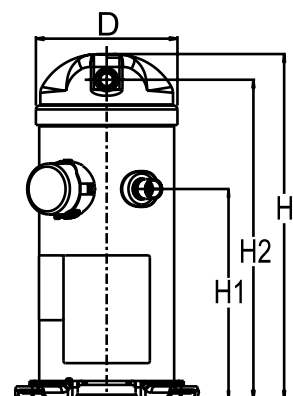
Danfoss scroll compressors **H series**



General Characteristics

Model number (on compressor nameplate)		HRP042T4LP6
Code number for Singlepack*		120U1026
Code number for Industrial pack**		120U1023
Drawing number		0XC6301B-2
Suction and discharge connections		Brazed
Suction connection		3/4 " ODF
Discharge connection		1/2 " ODF
Oil sight glass		None
Oil equalisation connection		None
Oil drain connection		None
LP gauge port		None
IPR valve		Yes
Swept volume		57.19 cm ³ /rev
Displacement @ Nominal speed		9.9 m ³ /h @ 2900 rpm - 12.0 m ³ /h @ 3500 rpm
Net weight		30.84 kg
Oil charge		1.06 litre, PVE --
Maximum system test pressure Low Side / High side		- bar(g) / - bar(g)
Maximum differential test pressure		- bar
Maximum number of starts per hour		-
Refrigerant charge limit		3.63 kg
Approved refrigerants		R407C

Dimensions

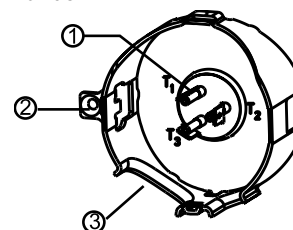


D=164.5 mm
H=413 mm
H1=250 mm
H2=379 mm
H3=- mm

Electrical Characteristics

Nominal voltage	380-415V/3/50Hz - 460V/3/60Hz
Voltage range	342-457 V @ 50Hz - 414-506 V @ 60Hz
Winding resistance between phases 1-2 +/- 7% at 25°C	4.664 Ω
Winding resistance between phases 1-3 +/- 7% at 25°C	4.660 Ω
Winding resistance between phases 2-3 +/- 7% at 25°C	3.420 Ω
Rated Load Amps (RLA)	6.4 A
Maximum Continuous Current (MCC)	10 A
Locked Rotor Amps (LRA)	45 A
Motor protection	Internal overload protector

Terminal box



IP22

- 1: Spade connectors 1/4"
- 2: Earth connection
- 3: Power cable passage

Recommended Installation torques

Oil sight glass	52.5 Nm
Power connections / Earth connection	0 Nm / 0 Nm

Parts shipped with compressor

Mounting kit with grommets and sleeves
Initial oil charge
Installation instructions

Approvals : CE certified, UL certified (file SA11565), -

*Singlepack: Compressor in cardboard box

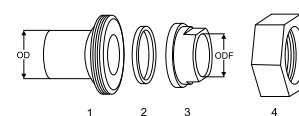
**Industrial pack: 12 or 16 Unboxed compressors on pallet

Rotolock accessories, suction side
Code no.

Solder sleeve, P04 (1-1/4" Rotolock, 3/4" ODF)	8153008
Angle adapter, C04 (1-1/4" Rotolock, 3/4" ODF)	8168006
Rotolock valve, V04 (1-1/4" Rotolock, 3/4" ODF)	8168029
Gasket, 1-1/4"	8156131

Rotolock accessories, discharge side
Code no.

Solder sleeve, P06 (1" Rotolock, 1/2" ODF)	8153007
Angle adapter, C06 (1" Rotolock, 1/2" ODF)	8168007
Rotolock valve, V06 (1" Rotolock, 1/2" ODF)	8168031
Gasket, 1"	8156130

Solder sleeve adapter set


- 1: Rotolock adapter (Suc & Dis)
- 2: Gasket (Suc & Dis)
- 3: Solder sleeve (Suc & Dis)
- 4: Rotolock nut (Suc & Dis)

Rotolock accessories, sets
Code no.

Solder sleeve adapter set (1-1/4" Rotolock, 3/4" ODF), (1" Rotolock, 1/2" ODF)	120Z0126
Gasket set, 1", 1-1/4", 1-3/4", OSG gaskets black & white	8156009

Oil / lubricants
Code no.

PVE lubricant, 320HV (FVC68D), 1 litre can	120Z5034
--	----------

Crankcase heaters
Code no.

Belt type crankcase heater, 40 W, 230 V, CE mark, UL	120Z0055
Belt type crankcase heater, 40 W, 400 V, CE mark, UL	120Z0056

Miscellaneous accessories
Code no.

Acoustic hood	120Z5043
Discharge thermostat kit	7750009
IP54 upgrade kit	118U0056

Spare parts
Code no.

Mounting kit for 1 scroll compressor including 4 grommets, 4 sleeves, 4 bolts, 4 washers	120Z5005
Mounting kit, including 1 bolt, 1 sleeve, 1 washer	120Z5031
No translation for 120Z5015	120Z5015

Performance data at 50 Hz, EN 12900 rating conditions

R407C

Cond. temp. in °C (tc)	Evaporating temperature in °C (to)								
	-30	-25	-20	-15	-10	-5	0	5	10

Cooling capacity in W

30	-	2 969	3 814	4 838	6 063	7 510	9 200	11 156	13 398
35	-	2 778	3 581	4 551	5 711	7 081	8 683	10 538	12 669
40	-	2 571	3 332	4 250	5 345	6 639	8 153	9 909	11 929
45	-	-	3 065	3 931	4 962	6 181	7 609	9 266	11 175
50	-	-	-	3 592	4 561	5 705	7 046	8 606	10 405
55	-	-	-	-	4 137	5 207	6 463	7 925	9 614
60	-	-	-	-	-	4 685	5 855	7 219	8 798
65	-	-	-	-	-	-	5 219	6 485	7 954

Power input in W

30	-	1 876	1 864	1 857	1 850	1 838	1 816	1 779	1 722
35	-	2 130	2 111	2 099	2 090	2 077	2 055	2 021	1 967
40	-	2 413	2 388	2 373	2 360	2 347	2 327	2 295	2 246
45	-	-	2 700	2 681	2 667	2 654	2 635	2 607	2 564
50	-	-	-	3 029	3 014	3 002	2 986	2 962	2 924
55	-	-	-	-	3 407	3 395	3 383	3 363	3 333
60	-	-	-	-	-	3 840	3 831	3 817	3 793
65	-	-	-	-	-	-	4 334	4 327	4 311

Current consumption in A

30	-	3.09	3.05	3.11	3.23	3.38	3.52	3.59	3.58
35	-	3.90	3.77	3.76	3.82	3.91	4.00	4.04	3.99
40	-	4.47	4.27	4.20	4.21	4.26	4.32	4.33	4.26
45	-	-	4.64	4.52	4.50	4.52	4.56	4.56	4.49
50	-	-	-	4.83	4.79	4.80	4.83	4.84	4.79
55	-	-	-	-	5.18	5.19	5.24	5.26	5.24
60	-	-	-	-	-	5.80	5.87	5.93	5.95
65	-	-	-	-	-	-	6.84	6.95	7.02

Mass flow in kg/h

30	-	66	84	105	129	157	189	226	268
35	-	66	83	103	127	155	187	224	265
40	-	64	81	102	125	153	185	221	261
45	-	-	79	99	123	150	182	217	258
50	-	-	-	96	120	147	178	213	254
55	-	-	-	-	116	143	174	209	249
60	-	-	-	-	-	138	169	204	243
65	-	-	-	-	-	-	163	198	237

Coefficient of performance (C.O.P.)

30	-	1.58	2.05	2.61	3.28	4.09	5.07	6.27	7.78
35	-	1.30	1.70	2.17	2.73	3.41	4.22	5.22	6.44
40	-	1.07	1.40	1.79	2.26	2.83	3.50	4.32	5.31
45	-	-	1.14	1.47	1.86	2.33	2.89	3.55	4.36
50	-	-	-	1.19	1.51	1.90	2.36	2.91	3.56
55	-	-	-	-	1.21	1.53	1.91	2.36	2.88
60	-	-	-	-	-	1.22	1.53	1.89	2.32
65	-	-	-	-	-	-	1.20	1.50	1.85

Nominal performance at to = 5 °C, tc = 50 °C

Cooling capacity	8 606	W
Power input	2 962	W
Current consumption	4.84	A
Mass flow	213	kg/h
C.O.P.	2.91	

Pressure switch settings

Maximum HP switch setting	30	bar(g)
Minimum LP switch setting	0.5	bar(g)
LP pump down setting	1	bar(g)

Sound power data

Sound power level	67	dB(A)
With acoustic hood	62	dB(A)

to: Evaporating temperature at dew point

tc: Condensing temperature at dew point

Rating conditions : Superheat = 10 K , Subcooling = 0 K

All performance data +/- 5%

Danfoss can accept no responsibility for possible errors in catalogues, brochures and other printed material. Danfoss reserves the right to alter its products without notice. This also applies to products already on order provided that such alternations can be made without subsequential changes being necessary in specifications already agreed. All trademarks in this material are property of the respective companies. Danfoss and the Danfoss logotype are trademarks of Danfoss A/S. All rights reserved.

Performance data at 50 Hz, ARI rating conditions

R407C

Cond. temp. in °C (tc)	Evaporating temperature in °C (to)								
	-30	-25	-20	-15	-10	-5	0	5	10

Cooling capacity in W

30	-	3 189	4 091	5 183	6 488	8 028	9 824	11 901	14 280
35	-	2 998	3 859	4 899	6 139	7 603	9 313	11 290	13 559
40	-	2 791	3 611	4 599	5 776	7 165	8 789	10 669	12 829
45	-	-	3 344	4 281	5 396	6 712	8 250	10 034	12 085
50	-	-	-	3 942	4 996	6 239	7 693	9 382	11 326
55	-	-	-	-	4 572	5 744	7 115	8 709	10 548
60	-	-	-	-	-	5 223	6 512	8 013	9 747
65	-	-	-	-	-	-	5 882	7 290	8 921

Power input in W

30	-	1 876	1 864	1 857	1 850	1 838	1 816	1 779	1 722
35	-	2 130	2 111	2 099	2 090	2 077	2 055	2 021	1 967
40	-	2 413	2 388	2 373	2 360	2 347	2 327	2 295	2 246
45	-	-	2 700	2 681	2 667	2 654	2 635	2 607	2 564
50	-	-	-	3 029	3 014	3 002	2 986	2 962	2 924
55	-	-	-	-	3 407	3 395	3 383	3 363	3 333
60	-	-	-	-	-	3 840	3 831	3 817	3 793
65	-	-	-	-	-	-	4 334	4 327	4 311

Current consumption in A

30	-	3.09	3.05	3.11	3.23	3.38	3.52	3.59	3.58
35	-	3.90	3.77	3.76	3.82	3.91	4.00	4.04	3.99
40	-	4.47	4.27	4.20	4.21	4.26	4.32	4.33	4.26
45	-	-	4.64	4.52	4.50	4.52	4.56	4.56	4.49
50	-	-	-	4.83	4.79	4.80	4.83	4.84	4.79
55	-	-	-	-	5.18	5.19	5.24	5.26	5.24
60	-	-	-	-	-	5.80	5.87	5.93	5.95
65	-	-	-	-	-	-	6.84	6.95	7.02

Mass flow in kg/h

30	-	66	83	104	128	156	188	225	266
35	-	65	82	103	127	154	186	222	263
40	-	64	81	101	125	152	184	219	260
45	-	-	79	99	122	149	181	216	256
50	-	-	-	96	119	146	177	212	252
55	-	-	-	-	115	142	173	208	247
60	-	-	-	-	-	137	168	203	242
65	-	-	-	-	-	-	162	196	235

Coefficient of performance (C.O.P.)

30	-	1.70	2.19	2.79	3.51	4.37	5.41	6.69	8.29
35	-	1.41	1.83	2.33	2.94	3.66	4.53	5.59	6.89
40	-	1.16	1.51	1.94	2.45	3.05	3.78	4.65	5.71
45	-	-	1.24	1.60	2.02	2.53	3.13	3.85	4.71
50	-	-	-	1.30	1.66	2.08	2.58	3.17	3.87
55	-	-	-	-	1.34	1.69	2.10	2.59	3.17
60	-	-	-	-	-	1.36	1.70	2.10	2.57
65	-	-	-	-	-	-	1.36	1.68	2.07

Nominal performance at to = 7.2 °C, tc = 54.4 °C

Cooling capacity	9 574	W
Power input	3 300	W
Current consumption	5.20	A
Mass flow	225	kg/h
C.O.P.	2.90	

Pressure switch settings

Maximum HP switch setting	30	bar(g)
Minimum LP switch setting	0.5	bar(g)
LP pump down setting	1	bar(g)

Sound power data

Sound power level	67	dB(A)
With acoustic hood	62	dB(A)

to: Evaporating temperature at dew point

tc: Condensing temperature at dew point

Rating conditions : Superheat = 11.1 K , Subcooling = 8.3 K

All performance data +/- 5%

Danfoss can accept no responsibility for possible errors in catalogues, brochures and other printed material. Danfoss reserves the right to alter its products without notice. This also applies to products already on order provided that such alternations can be made without subsequential changes being necessary in specifications already agreed. All trademarks in this material are property of the respective companies. Danfoss and the Danfoss logotype are trademarks of Danfoss A/S. All rights reserved.

Performance data at 50 Hz, EN 12900 rating conditions
R407C

Cond. temp. in °C (tc)	Evaporating temperature in °C (to)								
	-30	-25	-20	-15	-10	-5	0	5	10

Cooling capacity in W

30	-	2 969	3 814	4 838	6 063	7 510	9 200	11 156	13 398
35	-	2 778	3 581	4 551	5 711	7 081	8 683	10 538	12 669
40	-	2 571	3 332	4 250	5 345	6 639	8 153	9 909	11 929
45	-	-	3 065	3 931	4 962	6 181	7 609	9 266	11 175
50	-	-	-	3 592	4 561	5 705	7 046	8 606	10 405
55	-	-	-	-	4 137	5 207	6 463	7 925	9 614
60	-	-	-	-	-	4 685	5 855	7 219	8 798
65	-	-	-	-	-	-	5 219	6 485	7 954

Power input in W

30	-	1 876	1 864	1 857	1 850	1 838	1 816	1 779	1 722
35	-	2 130	2 111	2 099	2 090	2 077	2 055	2 021	1 967
40	-	2 413	2 388	2 373	2 360	2 347	2 327	2 295	2 246
45	-	-	2 700	2 681	2 667	2 654	2 635	2 607	2 564
50	-	-	-	3 029	3 014	3 002	2 986	2 962	2 924
55	-	-	-	-	3 407	3 395	3 383	3 363	3 333
60	-	-	-	-	-	3 840	3 831	3 817	3 793
65	-	-	-	-	-	-	4 334	4 327	4 311

Current consumption in A

30	-	3.09	3.05	3.11	3.23	3.38	3.52	3.59	3.58
35	-	3.90	3.77	3.76	3.82	3.91	4.00	4.04	3.99
40	-	4.47	4.27	4.20	4.21	4.26	4.32	4.33	4.26
45	-	-	4.64	4.52	4.50	4.52	4.56	4.56	4.49
50	-	-	-	4.83	4.79	4.80	4.83	4.84	4.79
55	-	-	-	-	5.18	5.19	5.24	5.26	5.24
60	-	-	-	-	-	5.80	5.87	5.93	5.95
65	-	-	-	-	-	-	6.84	6.95	7.02

Mass flow in kg/h

30	-	66	84	105	129	157	189	226	268
35	-	66	83	103	127	155	187	224	265
40	-	64	81	102	125	153	185	221	261
45	-	-	79	99	123	150	182	217	258
50	-	-	-	96	120	147	178	213	254
55	-	-	-	-	116	143	174	209	249
60	-	-	-	-	-	138	169	204	243
65	-	-	-	-	-	-	163	198	237

Coefficient of performance (C.O.P.)

30	-	1.58	2.05	2.61	3.28	4.09	5.07	6.27	7.78
35	-	1.30	1.70	2.17	2.73	3.41	4.22	5.22	6.44
40	-	1.07	1.40	1.79	2.26	2.83	3.50	4.32	5.31
45	-	-	1.14	1.47	1.86	2.33	2.89	3.55	4.36
50	-	-	-	1.19	1.51	1.90	2.36	2.91	3.56
55	-	-	-	-	1.21	1.53	1.91	2.36	2.88
60	-	-	-	-	-	1.22	1.53	1.89	2.32
65	-	-	-	-	-	-	1.20	1.50	1.85

Nominal performance at to = 5 °C, tc = 50 °C

Cooling capacity	8 606	W
Power input	2 962	W
Current consumption	4.84	A
Mass flow	213	kg/h
C.O.P.	2.91	

Pressure switch settings

Maximum HP switch setting	30	bar(g)
Minimum LP switch setting	0.5	bar(g)
LP pump down setting	1	bar(g)

Sound power data

Sound power level	67	dB(A)
With acoustic hood	62	dB(A)

to: Evaporating temperature at dew point

tc: Condensing temperature at dew point

Rating conditions : Superheat = 10 K , Subcooling = 0 K

All performance data +/- 5%

Danfoss can accept no responsibility for possible errors in catalogues, brochures and other printed material. Danfoss reserves the right to alter its products without notice. This also applies to products already on order provided that such alternations can be made without subsequential changes being necessary in specifications already agreed. All trademarks in this material are property of the respective companies. Danfoss and the Danfoss logotype are trademarks of Danfoss A/S. All rights reserved.

Performance data at 50 Hz, ARI rating conditions

R407C

Cond. temp. in °C (tc)	Evaporating temperature in °C (to)								
	-30	-25	-20	-15	-10	-5	0	5	10

Cooling capacity in W

30	-	3 189	4 091	5 183	6 488	8 028	9 824	11 901	14 280
35	-	2 998	3 859	4 899	6 139	7 603	9 313	11 290	13 559
40	-	2 791	3 611	4 599	5 776	7 165	8 789	10 669	12 829
45	-	-	3 344	4 281	5 396	6 712	8 250	10 034	12 085
50	-	-	-	3 942	4 996	6 239	7 693	9 382	11 326
55	-	-	-	-	4 572	5 744	7 115	8 709	10 548
60	-	-	-	-	-	5 223	6 512	8 013	9 747
65	-	-	-	-	-	-	5 882	7 290	8 921

Power input in W

30	-	1 876	1 864	1 857	1 850	1 838	1 816	1 779	1 722
35	-	2 130	2 111	2 099	2 090	2 077	2 055	2 021	1 967
40	-	2 413	2 388	2 373	2 360	2 347	2 327	2 295	2 246
45	-	-	2 700	2 681	2 667	2 654	2 635	2 607	2 564
50	-	-	-	3 029	3 014	3 002	2 986	2 962	2 924
55	-	-	-	-	3 407	3 395	3 383	3 363	3 333
60	-	-	-	-	-	3 840	3 831	3 817	3 793
65	-	-	-	-	-	-	4 334	4 327	4 311

Current consumption in A

30	-	3.09	3.05	3.11	3.23	3.38	3.52	3.59	3.58
35	-	3.90	3.77	3.76	3.82	3.91	4.00	4.04	3.99
40	-	4.47	4.27	4.20	4.21	4.26	4.32	4.33	4.26
45	-	-	4.64	4.52	4.50	4.52	4.56	4.56	4.49
50	-	-	-	4.83	4.79	4.80	4.83	4.84	4.79
55	-	-	-	-	5.18	5.19	5.24	5.26	5.24
60	-	-	-	-	-	5.80	5.87	5.93	5.95
65	-	-	-	-	-	-	6.84	6.95	7.02

Mass flow in kg/h

30	-	66	83	104	128	156	188	225	266
35	-	65	82	103	127	154	186	222	263
40	-	64	81	101	125	152	184	219	260
45	-	-	79	99	122	149	181	216	256
50	-	-	-	96	119	146	177	212	252
55	-	-	-	-	115	142	173	208	247
60	-	-	-	-	-	137	168	203	242
65	-	-	-	-	-	-	162	196	235

Coefficient of performance (C.O.P.)

30	-	1.70	2.19	2.79	3.51	4.37	5.41	6.69	8.29
35	-	1.41	1.83	2.33	2.94	3.66	4.53	5.59	6.89
40	-	1.16	1.51	1.94	2.45	3.05	3.78	4.65	5.71
45	-	-	1.24	1.60	2.02	2.53	3.13	3.85	4.71
50	-	-	-	1.30	1.66	2.08	2.58	3.17	3.87
55	-	-	-	-	1.34	1.69	2.10	2.59	3.17
60	-	-	-	-	-	1.36	1.70	2.10	2.57
65	-	-	-	-	-	-	1.36	1.68	2.07

Nominal performance at to = 7.2 °C, tc = 54.4 °C

Cooling capacity	9 574	W
Power input	3 300	W
Current consumption	5.20	A
Mass flow	225	kg/h
C.O.P.	2.90	

Pressure switch settings

Maximum HP switch setting	30	bar(g)
Minimum LP switch setting	0.5	bar(g)
LP pump down setting	1	bar(g)

Sound power data

Sound power level	67	dB(A)
With acoustic hood	62	dB(A)

to: Evaporating temperature at dew point

tc: Condensing temperature at dew point

Rating conditions : Superheat = 11.1 K , Subcooling = 8.3 K

All performance data +/- 5%

Danfoss can accept no responsibility for possible errors in catalogues, brochures and other printed material. Danfoss reserves the right to alter its products without notice. This also applies to products already on order provided that such alternations can be made without subsequential changes being necessary in specifications already agreed. All trademarks in this material are property of the respective companies. Danfoss and the Danfoss logotype are trademarks of Danfoss A/S. All rights reserved.

Performance data at 60 Hz, EN 12900 rating conditions
R407C

Cond. temp. in °C (tc)	Evaporating temperature in °C (to)								
	-30	-25	-20	-15	-10	-5	0	5	10

Cooling capacity in W

30	-	3 594	4 618	5 858	7 340	9 092	11 139	13 508	16 226
35	-	3 360	4 332	5 506	6 909	8 567	10 505	12 750	15 329
40	-	3 104	4 026	5 137	6 461	8 025	9 855	11 978	14 420
45	-	-	3 698	4 745	5 992	7 464	9 188	11 189	13 494
50	-	-	-	4 330	5 500	6 881	8 499	10 379	12 549
55	-	-	-	-	4 983	6 273	7 786	9 547	11 581
60	-	-	-	-	-	5 638	7 046	8 687	10 586
65	-	-	-	-	-	-	6 275	7 795	9 559

Power input in W

30	-	2 209	2 194	2 186	2 178	2 164	2 138	2 095	2 027
35	-	2 509	2 487	2 473	2 461	2 446	2 421	2 380	2 317
40	-	2 844	2 815	2 796	2 782	2 766	2 742	2 705	2 647
45	-	-	3 185	3 162	3 146	3 130	3 108	3 075	3 024
50	-	-	-	3 575	3 558	3 543	3 524	3 495	3 451
55	-	-	-	-	4 024	4 010	3 995	3 972	3 936
60	-	-	-	-	-	4 538	4 527	4 511	4 483
65	-	-	-	-	-	-	5 126	5 117	5 099

Current consumption in A

30	-	3.31	3.26	3.33	3.46	3.62	3.77	3.85	3.83
35	-	4.18	4.04	4.03	4.09	4.19	4.29	4.33	4.28
40	-	4.78	4.58	4.50	4.51	4.57	4.62	4.64	4.57
45	-	-	4.97	4.85	4.82	4.85	4.88	4.89	4.82
50	-	-	-	5.18	5.13	5.14	5.18	5.19	5.13
55	-	-	-	-	5.55	5.57	5.61	5.64	5.61
60	-	-	-	-	-	6.22	6.29	6.36	6.37
65	-	-	-	-	-	-	7.33	7.45	7.52

Mass flow in kg/h

30	-	80	102	127	156	190	229	274	325
35	-	79	100	125	154	188	226	271	320
40	-	77	98	123	152	185	223	267	316
45	-	-	96	120	148	181	219	262	311
50	-	-	-	116	145	177	215	257	306
55	-	-	-	-	140	172	209	252	300
60	-	-	-	-	-	166	203	245	293
65	-	-	-	-	-	-	196	238	285

Coefficient of performance (C.O.P.)

30	-	1.63	2.10	2.68	3.37	4.20	5.21	6.45	8.00
35	-	1.34	1.74	2.23	2.81	3.50	4.34	5.36	6.62
40	-	1.09	1.43	1.84	2.32	2.90	3.59	4.43	5.45
45	-	-	1.16	1.50	1.90	2.38	2.96	3.64	4.46
50	-	-	-	1.21	1.55	1.94	2.41	2.97	3.64
55	-	-	-	-	1.24	1.56	1.95	2.40	2.94
60	-	-	-	-	-	1.24	1.56	1.93	2.36
65	-	-	-	-	-	-	1.22	1.52	1.87

Nominal performance at to = 5 °C, tc = 50 °C

Cooling capacity	10 379	W
Power input	3 495	W
Current consumption	5.19	A
Mass flow	257	kg/h
C.O.P.	2.97	

Pressure switch settings

Maximum HP switch setting	30	bar(g)
Minimum LP switch setting	0.5	bar(g)
LP pump down setting	1	bar(g)

Sound power data

Sound power level	71	dB(A)
With acoustic hood	66	dB(A)

to: Evaporating temperature at dew point

tc: Condensing temperature at dew point

Rating conditions : Superheat = 10 K , Subcooling = 0 K

All performance data +/- 5%

Danfoss can accept no responsibility for possible errors in catalogues, brochures and other printed material. Danfoss reserves the right to alter its products without notice. This also applies to products already on order provided that such alternations can be made without subsequential changes being necessary in specifications already agreed. All trademarks in this material are property of the respective companies. Danfoss and the Danfoss logotype are trademarks of Danfoss A/S. All rights reserved.

Performance data at 60 Hz, ARI rating conditions
R407C

Cond. temp. in °C (tc)	Evaporating temperature in °C (to)								
	-30	-25	-20	-15	-10	-5	0	5	10

Cooling capacity in W

30	-	3 860	4 953	6 275	7 855	9 719	11 895	14 411	17 293
35	-	3 626	4 669	5 927	7 428	9 199	11 267	13 660	16 406
40	-	3 370	4 364	5 559	6 982	8 661	10 624	12 896	15 507
45	-	-	4 035	5 168	6 516	8 105	9 962	12 116	14 593
50	-	-	-	4 752	6 025	7 525	9 279	11 315	13 660
55	-	-	-	-	5 507	6 919	8 572	10 492	12 706
60	-	-	-	-	-	6 284	7 837	9 642	11 728
65	-	-	-	-	-	-	7 071	8 763	10 721

Power input in W

30	-	2 209	2 194	2 186	2 178	2 164	2 138	2 095	2 027
35	-	2 509	2 487	2 473	2 461	2 446	2 421	2 380	2 317
40	-	2 844	2 815	2 796	2 782	2 766	2 742	2 705	2 647
45	-	-	3 185	3 162	3 146	3 130	3 108	3 075	3 024
50	-	-	-	3 575	3 558	3 543	3 524	3 495	3 451
55	-	-	-	-	4 024	4 010	3 995	3 972	3 936
60	-	-	-	-	-	4 538	4 527	4 511	4 483
65	-	-	-	-	-	-	5 126	5 117	5 099

Current consumption in A

30	-	3.31	3.26	3.33	3.46	3.62	3.77	3.85	3.83
35	-	4.18	4.04	4.03	4.09	4.19	4.29	4.33	4.28
40	-	4.78	4.58	4.50	4.51	4.57	4.62	4.64	4.57
45	-	-	4.97	4.85	4.82	4.85	4.88	4.89	4.82
50	-	-	-	5.18	5.13	5.14	5.18	5.19	5.13
55	-	-	-	-	5.55	5.57	5.61	5.64	5.61
60	-	-	-	-	-	6.22	6.29	6.36	6.37
65	-	-	-	-	-	-	7.33	7.45	7.52

Mass flow in kg/h

30	-	80	101	126	155	189	228	272	323
35	-	79	100	124	153	187	225	269	319
40	-	77	98	122	151	184	222	265	314
45	-	-	95	119	148	180	218	261	309
50	-	-	-	116	144	176	214	256	304
55	-	-	-	-	139	171	208	250	298
60	-	-	-	-	-	165	202	244	291
65	-	-	-	-	-	-	195	236	283

Coefficient of performance (C.O.P.)

30	-	1.75	2.26	2.87	3.61	4.49	5.56	6.88	8.53
35	-	1.45	1.88	2.40	3.02	3.76	4.65	5.74	7.08
40	-	1.18	1.55	1.99	2.51	3.13	3.87	4.77	5.86
45	-	-	1.27	1.63	2.07	2.59	3.21	3.94	4.83
50	-	-	-	1.33	1.69	2.12	2.63	3.24	3.96
55	-	-	-	-	1.37	1.73	2.15	2.64	3.23
60	-	-	-	-	-	1.38	1.73	2.14	2.62
65	-	-	-	-	-	-	1.38	1.71	2.10

Nominal performance at to = 7.2 °C, tc = 54.4 °C

Cooling capacity	11 535	W
Power input	3 898	W
Current consumption	5.57	A
Mass flow	271	kg/h
C.O.P.	2.96	

Pressure switch settings

Maximum HP switch setting	30	bar(g)
Minimum LP switch setting	0.5	bar(g)
LP pump down setting	1	bar(g)

Sound power data

Sound power level	71	dB(A)
With acoustic hood	66	dB(A)

to: Evaporating temperature at dew point

tc: Condensing temperature at dew point

Rating conditions : Superheat = 11.1 K , Subcooling = 8.3 K

All performance data +/- 5%

Danfoss can accept no responsibility for possible errors in catalogues, brochures and other printed material. Danfoss reserves the right to alter its products without notice. This also applies to products already on order provided that such alternations can be made without subsequential changes being necessary in specifications already agreed. All trademarks in this material are property of the respective companies. Danfoss and the Danfoss logotype are trademarks of Danfoss A/S. All rights reserved.

Performance data at 60 Hz, EN 12900 rating conditions
R407C

Cond. temp. in °C (tc)	Evaporating temperature in °C (to)								
	-30	-25	-20	-15	-10	-5	0	5	10

Cooling capacity in W

30	-	3 594	4 618	5 858	7 340	9 092	11 139	13 508	16 226
35	-	3 360	4 332	5 506	6 909	8 567	10 505	12 750	15 329
40	-	3 104	4 026	5 137	6 461	8 025	9 855	11 978	14 420
45	-	-	3 698	4 745	5 992	7 464	9 188	11 189	13 494
50	-	-	-	4 330	5 500	6 881	8 499	10 379	12 549
55	-	-	-	-	4 983	6 273	7 786	9 547	11 581
60	-	-	-	-	-	5 638	7 046	8 687	10 586
65	-	-	-	-	-	-	6 275	7 795	9 559

Power input in W

30	-	2 209	2 194	2 186	2 178	2 164	2 138	2 095	2 027
35	-	2 509	2 487	2 473	2 461	2 446	2 421	2 380	2 317
40	-	2 844	2 815	2 796	2 782	2 766	2 742	2 705	2 647
45	-	-	3 185	3 162	3 146	3 130	3 108	3 075	3 024
50	-	-	-	3 575	3 558	3 543	3 524	3 495	3 451
55	-	-	-	-	4 024	4 010	3 995	3 972	3 936
60	-	-	-	-	-	4 538	4 527	4 511	4 483
65	-	-	-	-	-	-	5 126	5 117	5 099

Current consumption in A

30	-	3.31	3.26	3.33	3.46	3.62	3.77	3.85	3.83
35	-	4.18	4.04	4.03	4.09	4.19	4.29	4.33	4.28
40	-	4.78	4.58	4.50	4.51	4.57	4.62	4.64	4.57
45	-	-	4.97	4.85	4.82	4.85	4.88	4.89	4.82
50	-	-	-	5.18	5.13	5.14	5.18	5.19	5.13
55	-	-	-	-	5.55	5.57	5.61	5.64	5.61
60	-	-	-	-	-	6.22	6.29	6.36	6.37
65	-	-	-	-	-	-	7.33	7.45	7.52

Mass flow in kg/h

30	-	80	102	127	156	190	229	274	325
35	-	79	100	125	154	188	226	271	320
40	-	77	98	123	152	185	223	267	316
45	-	-	96	120	148	181	219	262	311
50	-	-	-	116	145	177	215	257	306
55	-	-	-	-	140	172	209	252	300
60	-	-	-	-	-	166	203	245	293
65	-	-	-	-	-	-	196	238	285

Coefficient of performance (C.O.P.)

30	-	1.63	2.10	2.68	3.37	4.20	5.21	6.45	8.00
35	-	1.34	1.74	2.23	2.81	3.50	4.34	5.36	6.62
40	-	1.09	1.43	1.84	2.32	2.90	3.59	4.43	5.45
45	-	-	1.16	1.50	1.90	2.38	2.96	3.64	4.46
50	-	-	-	1.21	1.55	1.94	2.41	2.97	3.64
55	-	-	-	-	1.24	1.56	1.95	2.40	2.94
60	-	-	-	-	-	1.24	1.56	1.93	2.36
65	-	-	-	-	-	-	1.22	1.52	1.87

Nominal performance at to = 5 °C, tc = 50 °C

Cooling capacity	10 379	W
Power input	3 495	W
Current consumption	5.19	A
Mass flow	257	kg/h
C.O.P.	2.97	

Pressure switch settings

Maximum HP switch setting	30	bar(g)
Minimum LP switch setting	0.5	bar(g)
LP pump down setting	1	bar(g)

Sound power data

Sound power level	71	dB(A)
With acoustic hood	66	dB(A)

to: Evaporating temperature at dew point

tc: Condensing temperature at dew point

Rating conditions : Superheat = 10 K , Subcooling = 0 K

All performance data +/- 5%

Danfoss can accept no responsibility for possible errors in catalogues, brochures and other printed material. Danfoss reserves the right to alter its products without notice. This also applies to products already on order provided that such alternations can be made without subsequential changes being necessary in specifications already agreed. All trademarks in this material are property of the respective companies. Danfoss and the Danfoss logotype are trademarks of Danfoss A/S. All rights reserved.

Performance data at 60 Hz, ARI rating conditions
R407C

Cond. temp. in °C (tc)	Evaporating temperature in °C (to)								
	-30	-25	-20	-15	-10	-5	0	5	10

Cooling capacity in W

30	-	3 860	4 953	6 275	7 855	9 719	11 895	14 411	17 293
35	-	3 626	4 669	5 927	7 428	9 199	11 267	13 660	16 406
40	-	3 370	4 364	5 559	6 982	8 661	10 624	12 896	15 507
45	-	-	4 035	5 168	6 516	8 105	9 962	12 116	14 593
50	-	-	-	4 752	6 025	7 525	9 279	11 315	13 660
55	-	-	-	-	5 507	6 919	8 572	10 492	12 706
60	-	-	-	-	-	6 284	7 837	9 642	11 728
65	-	-	-	-	-	-	7 071	8 763	10 721

Power input in W

30	-	2 209	2 194	2 186	2 178	2 164	2 138	2 095	2 027
35	-	2 509	2 487	2 473	2 461	2 446	2 421	2 380	2 317
40	-	2 844	2 815	2 796	2 782	2 766	2 742	2 705	2 647
45	-	-	3 185	3 162	3 146	3 130	3 108	3 075	3 024
50	-	-	-	3 575	3 558	3 543	3 524	3 495	3 451
55	-	-	-	-	4 024	4 010	3 995	3 972	3 936
60	-	-	-	-	-	4 538	4 527	4 511	4 483
65	-	-	-	-	-	-	5 126	5 117	5 099

Current consumption in A

30	-	3.31	3.26	3.33	3.46	3.62	3.77	3.85	3.83
35	-	4.18	4.04	4.03	4.09	4.19	4.29	4.33	4.28
40	-	4.78	4.58	4.50	4.51	4.57	4.62	4.64	4.57
45	-	-	4.97	4.85	4.82	4.85	4.88	4.89	4.82
50	-	-	-	5.18	5.13	5.14	5.18	5.19	5.13
55	-	-	-	-	5.55	5.57	5.61	5.64	5.61
60	-	-	-	-	-	6.22	6.29	6.36	6.37
65	-	-	-	-	-	-	7.33	7.45	7.52

Mass flow in kg/h

30	-	80	101	126	155	189	228	272	323
35	-	79	100	124	153	187	225	269	319
40	-	77	98	122	151	184	222	265	314
45	-	-	95	119	148	180	218	261	309
50	-	-	-	116	144	176	214	256	304
55	-	-	-	-	139	171	208	250	298
60	-	-	-	-	-	165	202	244	291
65	-	-	-	-	-	-	195	236	283

Coefficient of performance (C.O.P.)

30	-	1.75	2.26	2.87	3.61	4.49	5.56	6.88	8.53
35	-	1.45	1.88	2.40	3.02	3.76	4.65	5.74	7.08
40	-	1.18	1.55	1.99	2.51	3.13	3.87	4.77	5.86
45	-	-	1.27	1.63	2.07	2.59	3.21	3.94	4.83
50	-	-	-	1.33	1.69	2.12	2.63	3.24	3.96
55	-	-	-	-	1.37	1.73	2.15	2.64	3.23
60	-	-	-	-	-	1.38	1.73	2.14	2.62
65	-	-	-	-	-	-	1.38	1.71	2.10

Nominal performance at to = 7.2 °C, tc = 54.4 °C

Cooling capacity	11 535	W
Power input	3 898	W
Current consumption	5.57	A
Mass flow	271	kg/h
C.O.P.	2.96	

Pressure switch settings

Maximum HP switch setting	30	bar(g)
Minimum LP switch setting	0.5	bar(g)
LP pump down setting	1	bar(g)

Sound power data

Sound power level	71	dB(A)
With acoustic hood	66	dB(A)

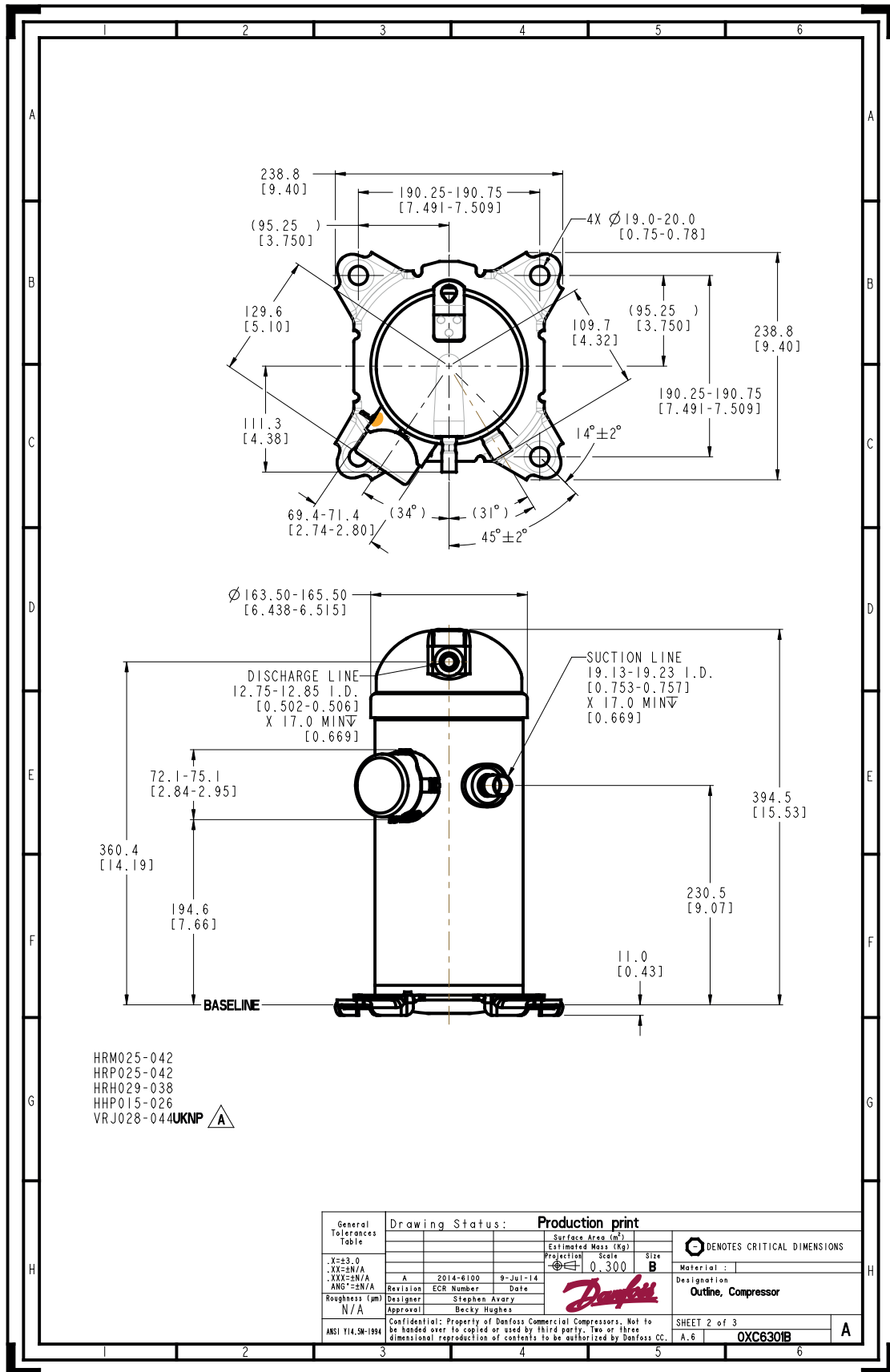
to: Evaporating temperature at dew point

tc: Condensing temperature at dew point

Rating conditions : Superheat = 11.1 K , Subcooling = 8.3 K

All performance data +/- 5%

Danfoss can accept no responsibility for possible errors in catalogues, brochures and other printed material. Danfoss reserves the right to alter its products without notice. This also applies to products already on order provided that such alternations can be made without subsequential changes being necessary in specifications already agreed. All trademarks in this material are property of the respective companies. Danfoss and the Danfoss logotype are trademarks of Danfoss A/S. All rights reserved.



Danfoss can accept no responsibility for possible errors in catalogues, brochures and other printed material. Danfoss reserves the right to alter its products without notice. This also applies to products already on order provided that such alternations can be made without subsequential changes being necessary in specifications already agreed. All trademarks in this material are property of the respective companies. Danfoss, the Danfoss logotype and Maneurop are trademarks of Danfoss A/S. All rights reserved.