

ENGINEERING
TOMORROW

Danfoss

Datasheets

Danfoss scroll compressors **H series**



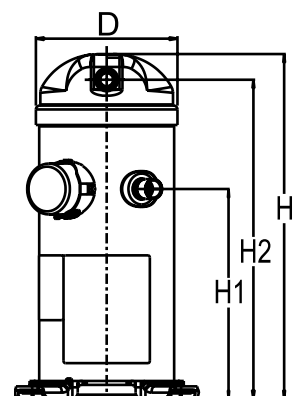
FRCC.UD.180315.143125

www.danfoss.com/odsg

General Characteristics

Model number (on compressor nameplate)		HRP048T4LC8
Code number for Singlepack*		120U1661
Code number for Industrial pack**		120U1658
Drawing number		0XR6049B-2
Suction and discharge connections		Brazed
Suction connection		7/8 " ODF
Discharge connection		1/2 " ODF
Oil sight glass		None
Oil equalisation connection		1/2"
Oil drain connection		None
LP gauge port		None
IPR valve		Yes
Swept volume		64.4 cm3/rev
Displacement @ Nominal speed		11.2 m3/h @ 2900 rpm - 13.5 m3/h @ 3500 rpm
Net weight		37.19 kg
Oil charge		1.57 litre, PVE --
Maximum system test pressure Low Side / High side		- bar(g) / - bar(g)
Maximum differential test pressure		- bar
Maximum number of starts per hour		-
Refrigerant charge limit		5.44 kg
Approved refrigerants		R407C

Dimensions

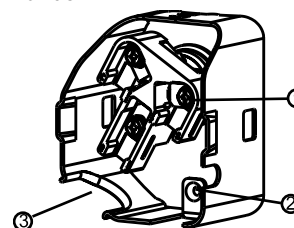


D=183.5 mm
H=455 mm
H1=280 mm
H2=422 mm
H3=- mm

Electrical Characteristics

Nominal voltage	380-415V/3/50Hz - 460V/3/60Hz
Voltage range	342-457 V @ 50Hz - 414-506 V @ 60Hz
Winding resistance between phases 1-2 +/- 7% at 25°C	2.600 Ω
Winding resistance between phases 1-3 +/- 7% at 25°C	2.610 Ω
Winding resistance between phases 2-3 +/- 7% at 25°C	2.650 Ω
Rated Load Amps (RLA)	7.7 A
Maximum Continuous Current (MCC)	12 A
Locked Rotor Amps (LRA)	55.2 A
Motor protection	Internal overload protector

Terminal box



IP22

- 1: Screw connectors 10-32 UNF x 9.5
- 2: Earth connection
- 3: Power cable passage

Recommended Installation torques

Oil sight glass	52.5 Nm
Power connections / Earth connection	3 Nm / 2 Nm

Parts shipped with compressor

Mounting kit with grommets and sleeves
Initial oil charge
Installation instructions

Approvals : CE certified, UL certified (file SA11565), -

*Singlepack: Compressor in cardboard box

**Industrial pack: 12 or 16 Unboxed compressors on pallet

Rotolock accessories, suction side

Code no.

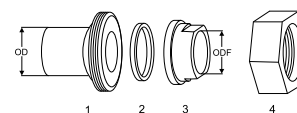
Rotolock valve, V05 (1-1/4" Rotolock, 7/8" ODF)	8168030
Gasket, 1-1/4"	8156131

Rotolock accessories, discharge side

Code no.

Solder sleeve, P06 (1" Rotolock, 1/2" ODF)	8153007
Angle adapter, C06 (1" Rotolock, 1/2" ODF)	8168007
Rotolock valve, V06 (1" Rotolock, 1/2" ODF)	8168031
Gasket, 1"	8156130

Solder sleeve adapter set



- 1: Rotolock adapter (Suc & Dis)
- 2: Gasket (Suc & Dis)
- 3: Solder sleeve (Suc & Dis)
- 4: Rotolock nut (Suc & Dis)

Rotolock accessories, sets

Code no.

Solder sleeve adapter set (1-1/4" Rotolock, 7/8" ODF), (1" Rotolock, 1/2" ODF)	120Z0127
Gasket set, 1", 1-1/4", 1-3/4", OSG gaskets black & white	8156009

Oil / lubricants

Code no.

PVE lubricant, 320HV (FVC68D), 1 litre can	120Z5034
--	----------

Crankcase heaters

Code no.

Belt type crankcase heater, 50 W, 230 V, CE mark, UL	120Z0057
Belt type crankcase heater, 50 W, 400 V, CE mark, UL	120Z0058

Miscellaneous accessories

Code no.

Acoustic hood	120Z5044
Discharge thermostat kit	7750009
IP54 upgrade kit	118U0057

Spare parts

Code no.

Mounting kit for 1 scroll compressor including 4 grommets, 4 sleeves, 4 bolts, 4 washers	120Z5005
Mounting kit, including 1 bolt, 1 sleeve, 1 washer	120Z5031
No translation for 120Z5018	120Z5018

Performance data at 50 Hz, EN 12900 rating conditions

R407C

Cond. temp. in °C (tc)	Evaporating temperature in °C (to)								
	-30	-25	-20	-15	-10	-5	0	5	10

Cooling capacity in W

30	-	3 418	4 389	5 567	6 977	8 642	10 586	12 835	15 412
35	-	3 203	4 125	5 242	6 578	8 157	10 002	12 139	14 591
40	-	2 971	3 845	4 902	6 165	7 658	9 405	11 431	13 759
45	-	-	3 546	4 542	5 733	7 141	8 791	10 706	12 911
50	-	-	-	4 160	5 278	6 602	8 154	9 959	12 041
55	-	-	-	-	4 797	6 037	7 492	9 187	11 145
60	-	-	-	-	-	5 440	6 799	8 383	10 218
65	-	-	-	-	-	-	6 069	7 543	9 253

Power input in W

30	-	2 157	2 149	2 141	2 132	2 115	2 089	2 048	1 990
35	-	2 393	2 382	2 373	2 363	2 347	2 322	2 284	2 229
40	-	2 638	2 625	2 616	2 605	2 591	2 568	2 533	2 482
45	-	-	2 883	2 873	2 863	2 850	2 830	2 799	2 753
50	-	-	-	3 149	3 141	3 131	3 114	3 088	3 047
55	-	-	-	-	3 443	3 436	3 424	3 402	3 368
60	-	-	-	-	-	3 770	3 763	3 748	3 720
65	-	-	-	-	-	-	4 137	4 128	4 108

Current consumption in A

30	-	3.46	3.41	3.48	3.62	3.78	3.93	4.02	4.00
35	-	4.37	4.22	4.21	4.28	4.38	4.48	4.52	4.47
40	-	5.00	4.78	4.70	4.71	4.77	4.83	4.84	4.77
45	-	-	5.19	5.06	5.03	5.06	5.10	5.11	5.03
50	-	-	-	5.41	5.36	5.37	5.41	5.42	5.36
55	-	-	-	-	5.79	5.81	5.86	5.89	5.86
60	-	-	-	-	-	6.49	6.57	6.64	6.66
65	-	-	-	-	-	-	7.65	7.78	7.86

Mass flow in kg/h

30	-	77	97	120	148	181	218	260	308
35	-	76	95	119	147	179	216	258	305
40	-	74	94	117	145	176	213	255	302
45	-	-	92	115	142	174	210	251	298
50	-	-	-	112	139	170	206	247	293
55	-	-	-	-	135	166	202	242	288
60	-	-	-	-	-	160	196	237	283
65	-	-	-	-	-	-	189	230	276

Coefficient of performance (C.O.P.)

30	-	1.58	2.04	2.60	3.27	4.09	5.07	6.27	7.74
35	-	1.34	1.73	2.21	2.78	3.48	4.31	5.31	6.55
40	-	1.13	1.46	1.87	2.37	2.96	3.66	4.51	5.54
45	-	-	1.23	1.58	2.00	2.51	3.11	3.82	4.69
50	-	-	-	1.32	1.68	2.11	2.62	3.23	3.95
55	-	-	-	-	1.39	1.76	2.19	2.70	3.31
60	-	-	-	-	-	1.44	1.81	2.24	2.75
65	-	-	-	-	-	-	1.47	1.83	2.25

Nominal performance at to = 5 °C, tc = 50 °C

Cooling capacity	9 959	W
Power input	3 088	W
Current consumption	5.42	A
Mass flow	247	kg/h
C.O.P.	3.23	

Pressure switch settings

Maximum HP switch setting	30	bar(g)
Minimum LP switch setting	0.5	bar(g)
LP pump down setting	1	bar(g)

Sound power data

Sound power level	69	dB(A)
With acoustic hood	64	dB(A)

to: Evaporating temperature at dew point

tc: Condensing temperature at dew point

Rating conditions : Superheat = 10 K , Subcooling = 0 K

All performance data +/- 5%

Danfoss can accept no responsibility for possible errors in catalogues, brochures and other printed material. Danfoss reserves the right to alter its products without notice. This also applies to products already on order provided that such alternations can be made without subsequential changes being necessary in specifications already agreed. All trademarks in this material are property of the respective companies. Danfoss and the Danfoss logotype are trademarks of Danfoss A/S. All rights reserved.

Performance data at 50 Hz, ARI rating conditions

R407C

Cond. temp. in °C (tc)	Evaporating temperature in °C (to)								
	-30	-25	-20	-15	-10	-5	0	5	10

Cooling capacity in W

30	-	3 670	4 708	5 964	7 466	9 238	11 305	13 692	16 426
35	-	3 456	4 446	5 643	7 072	8 758	10 728	13 005	15 617
40	-	3 225	4 168	5 305	6 663	8 265	10 138	12 307	14 797
45	-	-	3 868	4 947	6 234	7 754	9 532	11 593	13 962
50	-	-	-	4 565	5 782	7 220	8 903	10 857	13 108
55	-	-	-	-	5 301	6 658	8 248	10 096	12 229
60	-	-	-	-	-	6 064	7 562	9 305	11 320
65	-	-	-	-	-	-	6 839	8 479	10 378

Power input in W

30	-	2 157	2 149	2 141	2 132	2 115	2 089	2 048	1 990
35	-	2 393	2 382	2 373	2 363	2 347	2 322	2 284	2 229
40	-	2 638	2 625	2 616	2 605	2 591	2 568	2 533	2 482
45	-	-	2 883	2 873	2 863	2 850	2 830	2 799	2 753
50	-	-	-	3 149	3 141	3 131	3 114	3 088	3 047
55	-	-	-	-	3 443	3 436	3 424	3 402	3 368
60	-	-	-	-	-	3 770	3 763	3 748	3 720
65	-	-	-	-	-	-	4 137	4 128	4 108

Current consumption in A

30	-	3.46	3.41	3.48	3.62	3.78	3.93	4.02	4.00
35	-	4.37	4.22	4.21	4.28	4.38	4.48	4.52	4.47
40	-	5.00	4.78	4.70	4.71	4.77	4.83	4.84	4.77
45	-	-	5.19	5.06	5.03	5.06	5.10	5.11	5.03
50	-	-	-	5.41	5.36	5.37	5.41	5.42	5.36
55	-	-	-	-	5.79	5.81	5.86	5.89	5.86
60	-	-	-	-	-	6.49	6.57	6.64	6.66
65	-	-	-	-	-	-	7.65	7.78	7.86

Mass flow in kg/h

30	-	76	96	120	148	180	217	259	306
35	-	75	95	118	146	178	214	256	303
40	-	74	93	117	144	175	212	253	300
45	-	-	91	114	141	173	209	250	296
50	-	-	-	111	138	169	205	246	292
55	-	-	-	-	134	165	200	241	287
60	-	-	-	-	-	160	195	235	281
65	-	-	-	-	-	-	188	229	274

Coefficient of performance (C.O.P.)

30	-	1.70	2.19	2.79	3.50	4.37	5.41	6.68	8.25
35	-	1.44	1.87	2.38	2.99	3.73	4.62	5.69	7.01
40	-	1.22	1.59	2.03	2.56	3.19	3.95	4.86	5.96
45	-	-	1.34	1.72	2.18	2.72	3.37	4.14	5.07
50	-	-	-	1.45	1.84	2.31	2.86	3.52	4.30
55	-	-	-	-	1.54	1.94	2.41	2.97	3.63
60	-	-	-	-	-	1.61	2.01	2.48	3.04
65	-	-	-	-	-	-	1.65	2.05	2.53

Nominal performance at to = 7.2 °C, tc = 54.4 °C

Cooling capacity	11 097	W
Power input	3 349	W
Current consumption	5.82	A
Mass flow	261	kg/h
C.O.P.	3.31	

Pressure switch settings

Maximum HP switch setting	30	bar(g)
Minimum LP switch setting	0.5	bar(g)
LP pump down setting	1	bar(g)

Sound power data

Sound power level	69	dB(A)
With acoustic hood	64	dB(A)

to: Evaporating temperature at dew point

tc: Condensing temperature at dew point

Rating conditions : Superheat = 11.1 K , Subcooling = 8.3 K

All performance data +/- 5%

Danfoss can accept no responsibility for possible errors in catalogues, brochures and other printed material. Danfoss reserves the right to alter its products without notice. This also applies to products already on order provided that such alternations can be made without subsequential changes being necessary in specifications already agreed. All trademarks in this material are property of the respective companies. Danfoss and the Danfoss logotype are trademarks of Danfoss A/S. All rights reserved.

Performance data at 50 Hz, EN 12900 rating conditions

R407C

Cond. temp. in °C (tc)	Evaporating temperature in °C (to)								
	-30	-25	-20	-15	-10	-5	0	5	10

Cooling capacity in W

30	-	3 418	4 389	5 567	6 977	8 642	10 586	12 835	15 412
35	-	3 203	4 125	5 242	6 578	8 157	10 002	12 139	14 591
40	-	2 971	3 845	4 902	6 165	7 658	9 405	11 431	13 759
45	-	-	3 546	4 542	5 733	7 141	8 791	10 706	12 911
50	-	-	-	4 160	5 278	6 602	8 154	9 959	12 041
55	-	-	-	-	4 797	6 037	7 492	9 187	11 145
60	-	-	-	-	-	5 440	6 799	8 383	10 218
65	-	-	-	-	-	-	6 069	7 543	9 253

Power input in W

30	-	2 157	2 149	2 141	2 132	2 115	2 089	2 048	1 990
35	-	2 393	2 382	2 373	2 363	2 347	2 322	2 284	2 229
40	-	2 638	2 625	2 616	2 605	2 591	2 568	2 533	2 482
45	-	-	2 883	2 873	2 863	2 850	2 830	2 799	2 753
50	-	-	-	3 149	3 141	3 131	3 114	3 088	3 047
55	-	-	-	-	3 443	3 436	3 424	3 402	3 368
60	-	-	-	-	-	3 770	3 763	3 748	3 720
65	-	-	-	-	-	-	4 137	4 128	4 108

Current consumption in A

30	-	3.46	3.41	3.48	3.62	3.78	3.93	4.02	4.00
35	-	4.37	4.22	4.21	4.28	4.38	4.48	4.52	4.47
40	-	5.00	4.78	4.70	4.71	4.77	4.83	4.84	4.77
45	-	-	5.19	5.06	5.03	5.06	5.10	5.11	5.03
50	-	-	-	5.41	5.36	5.37	5.41	5.42	5.36
55	-	-	-	-	5.79	5.81	5.86	5.89	5.86
60	-	-	-	-	-	6.49	6.57	6.64	6.66
65	-	-	-	-	-	-	7.65	7.78	7.86

Mass flow in kg/h

30	-	77	97	120	148	181	218	260	308
35	-	76	95	119	147	179	216	258	305
40	-	74	94	117	145	176	213	255	302
45	-	-	92	115	142	174	210	251	298
50	-	-	-	112	139	170	206	247	293
55	-	-	-	-	135	166	202	242	288
60	-	-	-	-	-	160	196	237	283
65	-	-	-	-	-	-	189	230	276

Coefficient of performance (C.O.P.)

30	-	1.58	2.04	2.60	3.27	4.09	5.07	6.27	7.74
35	-	1.34	1.73	2.21	2.78	3.48	4.31	5.31	6.55
40	-	1.13	1.46	1.87	2.37	2.96	3.66	4.51	5.54
45	-	-	1.23	1.58	2.00	2.51	3.11	3.82	4.69
50	-	-	-	1.32	1.68	2.11	2.62	3.23	3.95
55	-	-	-	-	1.39	1.76	2.19	2.70	3.31
60	-	-	-	-	-	1.44	1.81	2.24	2.75
65	-	-	-	-	-	-	1.47	1.83	2.25

Nominal performance at to = 5 °C, tc = 50 °C

Cooling capacity	9 959	W
Power input	3 088	W
Current consumption	5.42	A
Mass flow	247	kg/h
C.O.P.	3.23	

Pressure switch settings

Maximum HP switch setting	30	bar(g)
Minimum LP switch setting	0.5	bar(g)
LP pump down setting	1	bar(g)

Sound power data

Sound power level	69	dB(A)
With acoustic hood	64	dB(A)

to: Evaporating temperature at dew point

tc: Condensing temperature at dew point

Rating conditions : Superheat = 10 K , Subcooling = 0 K

All performance data +/- 5%

Danfoss can accept no responsibility for possible errors in catalogues, brochures and other printed material. Danfoss reserves the right to alter its products without notice. This also applies to products already on order provided that such alternations can be made without subsequential changes being necessary in specifications already agreed. All trademarks in this material are property of the respective companies. Danfoss and the Danfoss logotype are trademarks of Danfoss A/S. All rights reserved.

Performance data at 50 Hz, ARI rating conditions

R407C

Cond. temp. in °C (tc)	Evaporating temperature in °C (to)								
	-30	-25	-20	-15	-10	-5	0	5	10

Cooling capacity in W

30	-	3 670	4 708	5 964	7 466	9 238	11 305	13 692	16 426
35	-	3 456	4 446	5 643	7 072	8 758	10 728	13 005	15 617
40	-	3 225	4 168	5 305	6 663	8 265	10 138	12 307	14 797
45	-	-	3 868	4 947	6 234	7 754	9 532	11 593	13 962
50	-	-	-	4 565	5 782	7 220	8 903	10 857	13 108
55	-	-	-	-	5 301	6 658	8 248	10 096	12 229
60	-	-	-	-	-	6 064	7 562	9 305	11 320
65	-	-	-	-	-	-	6 839	8 479	10 378

Power input in W

30	-	2 157	2 149	2 141	2 132	2 115	2 089	2 048	1 990
35	-	2 393	2 382	2 373	2 363	2 347	2 322	2 284	2 229
40	-	2 638	2 625	2 616	2 605	2 591	2 568	2 533	2 482
45	-	-	2 883	2 873	2 863	2 850	2 830	2 799	2 753
50	-	-	-	3 149	3 141	3 131	3 114	3 088	3 047
55	-	-	-	-	3 443	3 436	3 424	3 402	3 368
60	-	-	-	-	-	3 770	3 763	3 748	3 720
65	-	-	-	-	-	-	4 137	4 128	4 108

Current consumption in A

30	-	3.46	3.41	3.48	3.62	3.78	3.93	4.02	4.00
35	-	4.37	4.22	4.21	4.28	4.38	4.48	4.52	4.47
40	-	5.00	4.78	4.70	4.71	4.77	4.83	4.84	4.77
45	-	-	5.19	5.06	5.03	5.06	5.10	5.11	5.03
50	-	-	-	5.41	5.36	5.37	5.41	5.42	5.36
55	-	-	-	-	5.79	5.81	5.86	5.89	5.86
60	-	-	-	-	-	6.49	6.57	6.64	6.66
65	-	-	-	-	-	-	7.65	7.78	7.86

Mass flow in kg/h

30	-	76	96	120	148	180	217	259	306
35	-	75	95	118	146	178	214	256	303
40	-	74	93	117	144	175	212	253	300
45	-	-	91	114	141	173	209	250	296
50	-	-	-	111	138	169	205	246	292
55	-	-	-	-	134	165	200	241	287
60	-	-	-	-	-	160	195	235	281
65	-	-	-	-	-	-	188	229	274

Coefficient of performance (C.O.P.)

30	-	1.70	2.19	2.79	3.50	4.37	5.41	6.68	8.25
35	-	1.44	1.87	2.38	2.99	3.73	4.62	5.69	7.01
40	-	1.22	1.59	2.03	2.56	3.19	3.95	4.86	5.96
45	-	-	1.34	1.72	2.18	2.72	3.37	4.14	5.07
50	-	-	-	1.45	1.84	2.31	2.86	3.52	4.30
55	-	-	-	-	1.54	1.94	2.41	2.97	3.63
60	-	-	-	-	-	1.61	2.01	2.48	3.04
65	-	-	-	-	-	-	1.65	2.05	2.53

Nominal performance at to = 7.2 °C, tc = 54.4 °C

Cooling capacity	11 097	W
Power input	3 349	W
Current consumption	5.82	A
Mass flow	261	kg/h
C.O.P.	3.31	

Pressure switch settings

Maximum HP switch setting	30	bar(g)
Minimum LP switch setting	0.5	bar(g)
LP pump down setting	1	bar(g)

Sound power data

Sound power level	69	dB(A)
With acoustic hood	64	dB(A)

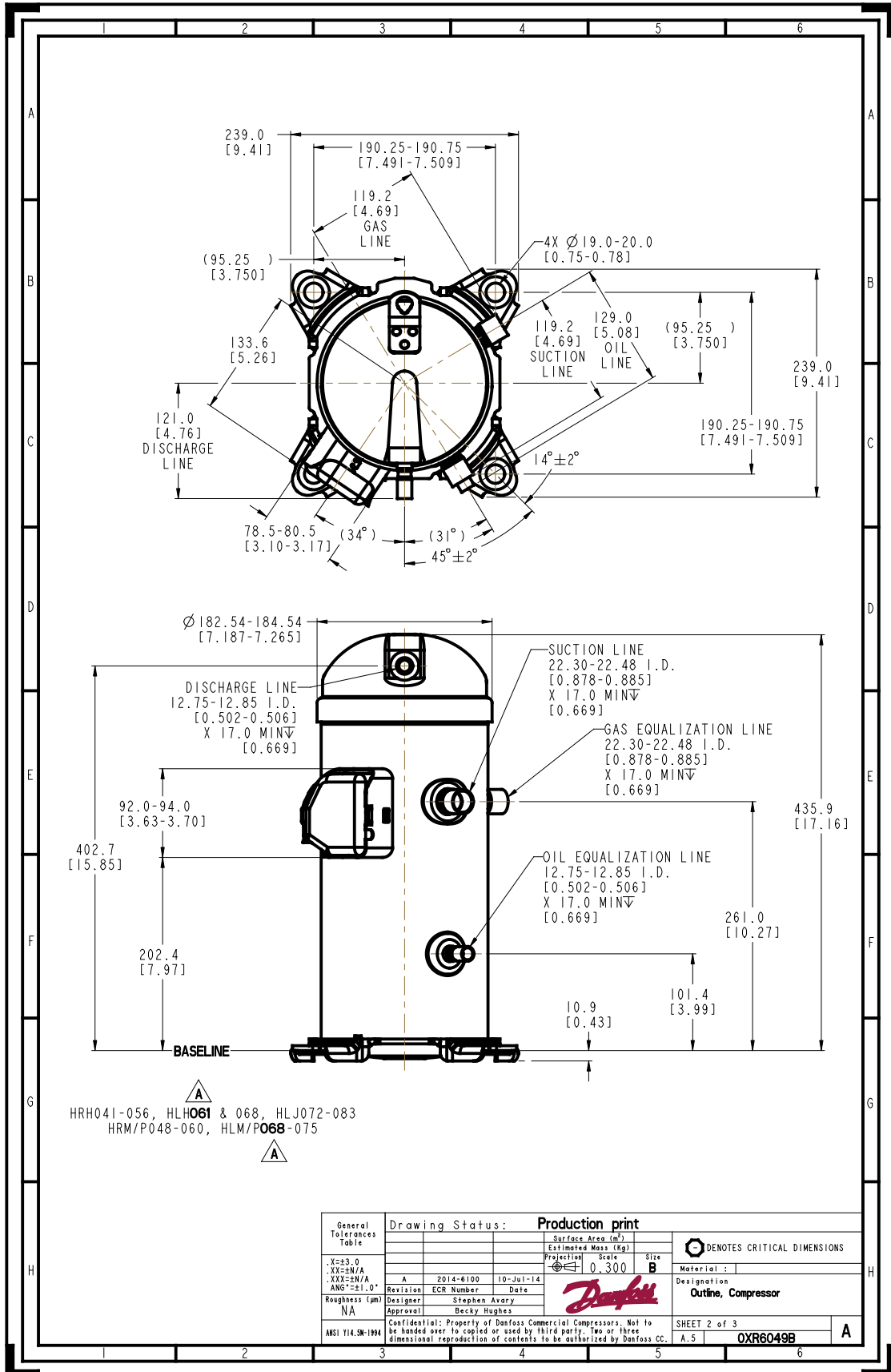
to: Evaporating temperature at dew point

tc: Condensing temperature at dew point

Rating conditions : Superheat = 11.1 K , Subcooling = 8.3 K

All performance data +/- 5%

Danfoss can accept no responsibility for possible errors in catalogues, brochures and other printed material. Danfoss reserves the right to alter its products without notice. This also applies to products already on order provided that such alternations can be made without subsequential changes being necessary in specifications already agreed. All trademarks in this material are property of the respective companies. Danfoss and the Danfoss logotype are trademarks of Danfoss A/S. All rights reserved.



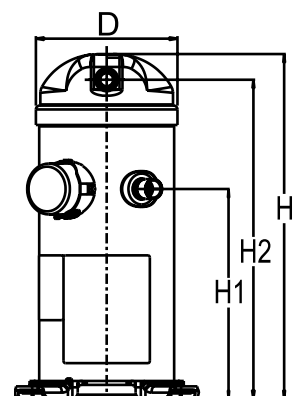
General Tolerances Table	Drawing Status: Production print			Surface Area (m ²)	Estimated Mass (kg)	Size B	Material:
	Y=±3.0	XX=±2N/A	XX=±2N/A				
ANSI Y14.5M-1994	Revision	ECR Number	Date	Projection	Scale	0.300	Material:
	A	2014-6100	10-Jul-14	1st			Designation
	Designer	Stephen Avary	Approval				
	Becky Hughes						
Confidential: Property of Danfoss Commercial Compressors. Not to be handed over, copied or used by third party. Two or three dimensional reproduction of contents to be authorized by Danfoss CC.							
SHEET 2 of 3						A.5 OXR6049B A	

Danfoss can accept no responsibility for possible errors in catalogues, brochures and other printed material. Danfoss reserves the right to alter its products without notice. This also applies to products already on order provided that such alternations can be made without consequential changes being necessary in specifications already agreed. All trademarks in this material are property of the respective companies. Danfoss, the Danfoss logotype and Maneurop are trademarks of Danfoss A/S. All rights reserved.

General Characteristics

Model number (on compressor nameplate)		HRP048T4LP6
Code number for Singlepack*		120U1656
Code number for Industrial pack**		120U1653
Drawing number		0XR6002B-2
Suction and discharge connections		Brazed
Suction connection		7/8 " ODF
Discharge connection		1/2 " ODF
Oil sight glass		None
Oil equalisation connection		None
Oil drain connection		None
LP gauge port		None
IPR valve		Yes
Swept volume		64.4 cm3/rev
Displacement @ Nominal speed		11.2 m3/h @ 2900 rpm - 13.5 m3/h @ 3500 rpm
Net weight		37.19 kg
Oil charge		1.57 litre, PVE --
Maximum system test pressure Low Side / High side		- bar(g) / - bar(g)
Maximum differential test pressure		- bar
Maximum number of starts per hour		-
Refrigerant charge limit		5.44 kg
Approved refrigerants		R407C

Dimensions

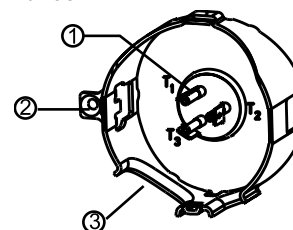


D=183.5 mm
H=455 mm
H1=280 mm
H2=422 mm
H3=- mm

Electrical Characteristics

Nominal voltage	380-415V/3/50Hz - 460V/3/60Hz
Voltage range	342-457 V @ 50Hz - 414-506 V @ 60Hz
Winding resistance between phases 1-2 +/- 7% at 25°C	2.600 Ω
Winding resistance between phases 1-3 +/- 7% at 25°C	2.610 Ω
Winding resistance between phases 2-3 +/- 7% at 25°C	2.650 Ω
Rated Load Amps (RLA)	7.7 A
Maximum Continuous Current (MCC)	12 A
Locked Rotor Amps (LRA)	55.2 A
Motor protection	Internal overload protector

Terminal box



IP22

- 1: Spade connectors 1/4"
- 2: Earth connection
- 3: Power cable passage

Recommended Installation torques

Oil sight glass	52.5 Nm
Power connections / Earth connection	0 Nm / 0 Nm

Parts shipped with compressor

Mounting kit with grommets and sleeves
Initial oil charge
Installation instructions

Approvals : CE certified, UL certified (file SA11565), -

*Singlepack: Compressor in cardboard box

**Industrial pack: 12 or 16 Unboxed compressors on pallet

Rotolock accessories, suction side

Code no.

Rotolock valve, V05 (1-1/4" Rotolock, 7/8" ODF)	8168030
Gasket, 1-1/4"	8156131

Rotolock accessories, discharge side

Code no.

Solder sleeve, P06 (1" Rotolock, 1/2" ODF)	8153007
Angle adapter, C06 (1" Rotolock, 1/2" ODF)	8168007
Rotolock valve, V06 (1" Rotolock, 1/2" ODF)	8168031
Gasket, 1"	8156130

Rotolock accessories, sets

Code no.

Solder sleeve adapter set (1-1/4" Rotolock, 7/8" ODF), (1" Rotolock, 1/2" ODF)	120Z0127
Gasket set, 1", 1-1/4", 1-3/4", OSG gaskets black & white	8156009

Oil / lubricants

Code no.

PVE lubricant, 320HV (FVC68D), 1 litre can	120Z5034
--	----------

Crankcase heaters

Code no.

Belt type crankcase heater, 50 W, 230 V, CE mark, UL	120Z0057
Belt type crankcase heater, 50 W, 400 V, CE mark, UL	120Z0058

Miscellaneous accessories

Code no.

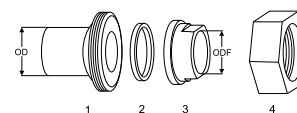
Acoustic hood	120Z5044
Discharge thermostat kit	7750009
IP54 upgrade kit	118U0056

Spare parts

Code no.

Mounting kit for 1 scroll compressor including 4 grommets, 4 sleeves, 4 bolts, 4 washers	120Z5005
Mounting kit, including 1 bolt, 1 sleeve, 1 washer	120Z5031
No translation for 120Z5015	120Z5015

Solder sleeve adapter set



- 1: Rotolock adapter (Suc & Dis)
- 2: Gasket (Suc & Dis)
- 3: Solder sleeve (Suc & Dis)
- 4: Rotolock nut (Suc & Dis)

Performance data at 50 Hz, EN 12900 rating conditions

R407C

Cond. temp. in °C (tc)	Evaporating temperature in °C (to)								
	-30	-25	-20	-15	-10	-5	0	5	10

Cooling capacity in W

30	-	3 418	4 389	5 567	6 977	8 642	10 586	12 835	15 412
35	-	3 203	4 125	5 242	6 578	8 157	10 002	12 139	14 591
40	-	2 971	3 845	4 902	6 165	7 658	9 405	11 431	13 759
45	-	-	3 546	4 542	5 733	7 141	8 791	10 706	12 911
50	-	-	-	4 160	5 278	6 602	8 154	9 959	12 041
55	-	-	-	-	4 797	6 037	7 492	9 187	11 145
60	-	-	-	-	-	5 440	6 799	8 383	10 218
65	-	-	-	-	-	-	6 069	7 543	9 253

Power input in W

30	-	2 157	2 149	2 141	2 132	2 115	2 089	2 048	1 990
35	-	2 393	2 382	2 373	2 363	2 347	2 322	2 284	2 229
40	-	2 638	2 625	2 616	2 605	2 591	2 568	2 533	2 482
45	-	-	2 883	2 873	2 863	2 850	2 830	2 799	2 753
50	-	-	-	3 149	3 141	3 131	3 114	3 088	3 047
55	-	-	-	-	3 443	3 436	3 424	3 402	3 368
60	-	-	-	-	-	3 770	3 763	3 748	3 720
65	-	-	-	-	-	-	4 137	4 128	4 108

Current consumption in A

30	-	3.46	3.41	3.48	3.62	3.78	3.93	4.02	4.00
35	-	4.37	4.22	4.21	4.28	4.38	4.48	4.52	4.47
40	-	5.00	4.78	4.70	4.71	4.77	4.83	4.84	4.77
45	-	-	5.19	5.06	5.03	5.06	5.10	5.11	5.03
50	-	-	-	5.41	5.36	5.37	5.41	5.42	5.36
55	-	-	-	-	5.79	5.81	5.86	5.89	5.86
60	-	-	-	-	-	6.49	6.57	6.64	6.66
65	-	-	-	-	-	-	7.65	7.78	7.86

Mass flow in kg/h

30	-	77	97	120	148	181	218	260	308
35	-	76	95	119	147	179	216	258	305
40	-	74	94	117	145	176	213	255	302
45	-	-	92	115	142	174	210	251	298
50	-	-	-	112	139	170	206	247	293
55	-	-	-	-	135	166	202	242	288
60	-	-	-	-	-	160	196	237	283
65	-	-	-	-	-	-	189	230	276

Coefficient of performance (C.O.P.)

30	-	1.58	2.04	2.60	3.27	4.09	5.07	6.27	7.74
35	-	1.34	1.73	2.21	2.78	3.48	4.31	5.31	6.55
40	-	1.13	1.46	1.87	2.37	2.96	3.66	4.51	5.54
45	-	-	1.23	1.58	2.00	2.51	3.11	3.82	4.69
50	-	-	-	1.32	1.68	2.11	2.62	3.23	3.95
55	-	-	-	-	1.39	1.76	2.19	2.70	3.31
60	-	-	-	-	-	1.44	1.81	2.24	2.75
65	-	-	-	-	-	-	1.47	1.83	2.25

Nominal performance at to = 5 °C, tc = 50 °C

Cooling capacity	9 959	W
Power input	3 088	W
Current consumption	5.42	A
Mass flow	247	kg/h
C.O.P.	3.23	

Pressure switch settings

Maximum HP switch setting	30	bar(g)
Minimum LP switch setting	0.5	bar(g)
LP pump down setting	1	bar(g)

Sound power data

Sound power level	69	dB(A)
With acoustic hood	64	dB(A)

to: Evaporating temperature at dew point

tc: Condensing temperature at dew point

Rating conditions : Superheat = 10 K , Subcooling = 0 K

All performance data +/- 5%

Danfoss can accept no responsibility for possible errors in catalogues, brochures and other printed material. Danfoss reserves the right to alter its products without notice. This also applies to products already on order provided that such alternations can be made without subsequential changes being necessary in specifications already agreed. All trademarks in this material are property of the respective companies. Danfoss and the Danfoss logotype are trademarks of Danfoss A/S. All rights reserved.

Performance data at 50 Hz, ARI rating conditions

R407C

Cond. temp. in °C (tc)	Evaporating temperature in °C (to)								
	-30	-25	-20	-15	-10	-5	0	5	10

Cooling capacity in W

30	-	3 670	4 708	5 964	7 466	9 238	11 305	13 692	16 426
35	-	3 456	4 446	5 643	7 072	8 758	10 728	13 005	15 617
40	-	3 225	4 168	5 305	6 663	8 265	10 138	12 307	14 797
45	-	-	3 868	4 947	6 234	7 754	9 532	11 593	13 962
50	-	-	-	4 565	5 782	7 220	8 903	10 857	13 108
55	-	-	-	-	5 301	6 658	8 248	10 096	12 229
60	-	-	-	-	-	6 064	7 562	9 305	11 320
65	-	-	-	-	-	-	6 839	8 479	10 378

Power input in W

30	-	2 157	2 149	2 141	2 132	2 115	2 089	2 048	1 990
35	-	2 393	2 382	2 373	2 363	2 347	2 322	2 284	2 229
40	-	2 638	2 625	2 616	2 605	2 591	2 568	2 533	2 482
45	-	-	2 883	2 873	2 863	2 850	2 830	2 799	2 753
50	-	-	-	3 149	3 141	3 131	3 114	3 088	3 047
55	-	-	-	-	3 443	3 436	3 424	3 402	3 368
60	-	-	-	-	-	3 770	3 763	3 748	3 720
65	-	-	-	-	-	-	4 137	4 128	4 108

Current consumption in A

30	-	3.46	3.41	3.48	3.62	3.78	3.93	4.02	4.00
35	-	4.37	4.22	4.21	4.28	4.38	4.48	4.52	4.47
40	-	5.00	4.78	4.70	4.71	4.77	4.83	4.84	4.77
45	-	-	5.19	5.06	5.03	5.06	5.10	5.11	5.03
50	-	-	-	5.41	5.36	5.37	5.41	5.42	5.36
55	-	-	-	-	5.79	5.81	5.86	5.89	5.86
60	-	-	-	-	-	6.49	6.57	6.64	6.66
65	-	-	-	-	-	-	7.65	7.78	7.86

Mass flow in kg/h

30	-	76	96	120	148	180	217	259	306
35	-	75	95	118	146	178	214	256	303
40	-	74	93	117	144	175	212	253	300
45	-	-	91	114	141	173	209	250	296
50	-	-	-	111	138	169	205	246	292
55	-	-	-	-	134	165	200	241	287
60	-	-	-	-	-	160	195	235	281
65	-	-	-	-	-	-	188	229	274

Coefficient of performance (C.O.P.)

30	-	1.70	2.19	2.79	3.50	4.37	5.41	6.68	8.25
35	-	1.44	1.87	2.38	2.99	3.73	4.62	5.69	7.01
40	-	1.22	1.59	2.03	2.56	3.19	3.95	4.86	5.96
45	-	-	1.34	1.72	2.18	2.72	3.37	4.14	5.07
50	-	-	-	1.45	1.84	2.31	2.86	3.52	4.30
55	-	-	-	-	1.54	1.94	2.41	2.97	3.63
60	-	-	-	-	-	1.61	2.01	2.48	3.04
65	-	-	-	-	-	-	1.65	2.05	2.53

Nominal performance at to = 7.2 °C, tc = 54.4 °C

Cooling capacity	11 097	W
Power input	3 349	W
Current consumption	5.82	A
Mass flow	261	kg/h
C.O.P.	3.31	

Pressure switch settings

Maximum HP switch setting	30	bar(g)
Minimum LP switch setting	0.5	bar(g)
LP pump down setting	1	bar(g)

Sound power data

Sound power level	69	dB(A)
With acoustic hood	64	dB(A)

to: Evaporating temperature at dew point

tc: Condensing temperature at dew point

Rating conditions : Superheat = 11.1 K , Subcooling = 8.3 K

All performance data +/- 5%

Danfoss can accept no responsibility for possible errors in catalogues, brochures and other printed material. Danfoss reserves the right to alter its products without notice. This also applies to products already on order provided that such alternations can be made without subsequential changes being necessary in specifications already agreed. All trademarks in this material are property of the respective companies. Danfoss and the Danfoss logotype are trademarks of Danfoss A/S. All rights reserved.

Performance data at 50 Hz, EN 12900 rating conditions

R407C

Cond. temp. in °C (tc)	Evaporating temperature in °C (to)								
	-30	-25	-20	-15	-10	-5	0	5	10

Cooling capacity in W

30	-	3 418	4 389	5 567	6 977	8 642	10 586	12 835	15 412
35	-	3 203	4 125	5 242	6 578	8 157	10 002	12 139	14 591
40	-	2 971	3 845	4 902	6 165	7 658	9 405	11 431	13 759
45	-	-	3 546	4 542	5 733	7 141	8 791	10 706	12 911
50	-	-	-	4 160	5 278	6 602	8 154	9 959	12 041
55	-	-	-	-	4 797	6 037	7 492	9 187	11 145
60	-	-	-	-	-	5 440	6 799	8 383	10 218
65	-	-	-	-	-	-	6 069	7 543	9 253

Power input in W

30	-	2 157	2 149	2 141	2 132	2 115	2 089	2 048	1 990
35	-	2 393	2 382	2 373	2 363	2 347	2 322	2 284	2 229
40	-	2 638	2 625	2 616	2 605	2 591	2 568	2 533	2 482
45	-	-	2 883	2 873	2 863	2 850	2 830	2 799	2 753
50	-	-	-	3 149	3 141	3 131	3 114	3 088	3 047
55	-	-	-	-	3 443	3 436	3 424	3 402	3 368
60	-	-	-	-	-	3 770	3 763	3 748	3 720
65	-	-	-	-	-	-	4 137	4 128	4 108

Current consumption in A

30	-	3.46	3.41	3.48	3.62	3.78	3.93	4.02	4.00
35	-	4.37	4.22	4.21	4.28	4.38	4.48	4.52	4.47
40	-	5.00	4.78	4.70	4.71	4.77	4.83	4.84	4.77
45	-	-	5.19	5.06	5.03	5.06	5.10	5.11	5.03
50	-	-	-	5.41	5.36	5.37	5.41	5.42	5.36
55	-	-	-	-	5.79	5.81	5.86	5.89	5.86
60	-	-	-	-	-	6.49	6.57	6.64	6.66
65	-	-	-	-	-	-	7.65	7.78	7.86

Mass flow in kg/h

30	-	77	97	120	148	181	218	260	308
35	-	76	95	119	147	179	216	258	305
40	-	74	94	117	145	176	213	255	302
45	-	-	92	115	142	174	210	251	298
50	-	-	-	112	139	170	206	247	293
55	-	-	-	-	135	166	202	242	288
60	-	-	-	-	-	160	196	237	283
65	-	-	-	-	-	-	189	230	276

Coefficient of performance (C.O.P.)

30	-	1.58	2.04	2.60	3.27	4.09	5.07	6.27	7.74
35	-	1.34	1.73	2.21	2.78	3.48	4.31	5.31	6.55
40	-	1.13	1.46	1.87	2.37	2.96	3.66	4.51	5.54
45	-	-	1.23	1.58	2.00	2.51	3.11	3.82	4.69
50	-	-	-	1.32	1.68	2.11	2.62	3.23	3.95
55	-	-	-	-	1.39	1.76	2.19	2.70	3.31
60	-	-	-	-	-	1.44	1.81	2.24	2.75
65	-	-	-	-	-	-	1.47	1.83	2.25

Nominal performance at to = 5 °C, tc = 50 °C

Cooling capacity	9 959	W
Power input	3 088	W
Current consumption	5.42	A
Mass flow	247	kg/h
C.O.P.	3.23	

Pressure switch settings

Maximum HP switch setting	30	bar(g)
Minimum LP switch setting	0.5	bar(g)
LP pump down setting	1	bar(g)

Sound power data

Sound power level	69	dB(A)
With acoustic hood	64	dB(A)

to: Evaporating temperature at dew point

tc: Condensing temperature at dew point

Rating conditions : Superheat = 10 K , Subcooling = 0 K

All performance data +/- 5%

Danfoss can accept no responsibility for possible errors in catalogues, brochures and other printed material. Danfoss reserves the right to alter its products without notice. This also applies to products already on order provided that such alternations can be made without subsequential changes being necessary in specifications already agreed. All trademarks in this material are property of the respective companies. Danfoss and the Danfoss logotype are trademarks of Danfoss A/S. All rights reserved.

Performance data at 50 Hz, ARI rating conditions

R407C

Cond. temp. in °C (tc)	Evaporating temperature in °C (to)								
	-30	-25	-20	-15	-10	-5	0	5	10

Cooling capacity in W

30	-	3 670	4 708	5 964	7 466	9 238	11 305	13 692	16 426
35	-	3 456	4 446	5 643	7 072	8 758	10 728	13 005	15 617
40	-	3 225	4 168	5 305	6 663	8 265	10 138	12 307	14 797
45	-	-	3 868	4 947	6 234	7 754	9 532	11 593	13 962
50	-	-	-	4 565	5 782	7 220	8 903	10 857	13 108
55	-	-	-	-	5 301	6 658	8 248	10 096	12 229
60	-	-	-	-	-	6 064	7 562	9 305	11 320
65	-	-	-	-	-	-	6 839	8 479	10 378

Power input in W

30	-	2 157	2 149	2 141	2 132	2 115	2 089	2 048	1 990
35	-	2 393	2 382	2 373	2 363	2 347	2 322	2 284	2 229
40	-	2 638	2 625	2 616	2 605	2 591	2 568	2 533	2 482
45	-	-	2 883	2 873	2 863	2 850	2 830	2 799	2 753
50	-	-	-	3 149	3 141	3 131	3 114	3 088	3 047
55	-	-	-	-	3 443	3 436	3 424	3 402	3 368
60	-	-	-	-	-	3 770	3 763	3 748	3 720
65	-	-	-	-	-	-	4 137	4 128	4 108

Current consumption in A

30	-	3.46	3.41	3.48	3.62	3.78	3.93	4.02	4.00
35	-	4.37	4.22	4.21	4.28	4.38	4.48	4.52	4.47
40	-	5.00	4.78	4.70	4.71	4.77	4.83	4.84	4.77
45	-	-	5.19	5.06	5.03	5.06	5.10	5.11	5.03
50	-	-	-	5.41	5.36	5.37	5.41	5.42	5.36
55	-	-	-	-	5.79	5.81	5.86	5.89	5.86
60	-	-	-	-	-	6.49	6.57	6.64	6.66
65	-	-	-	-	-	-	7.65	7.78	7.86

Mass flow in kg/h

30	-	76	96	120	148	180	217	259	306
35	-	75	95	118	146	178	214	256	303
40	-	74	93	117	144	175	212	253	300
45	-	-	91	114	141	173	209	250	296
50	-	-	-	111	138	169	205	246	292
55	-	-	-	-	134	165	200	241	287
60	-	-	-	-	-	160	195	235	281
65	-	-	-	-	-	-	188	229	274

Coefficient of performance (C.O.P.)

30	-	1.70	2.19	2.79	3.50	4.37	5.41	6.68	8.25
35	-	1.44	1.87	2.38	2.99	3.73	4.62	5.69	7.01
40	-	1.22	1.59	2.03	2.56	3.19	3.95	4.86	5.96
45	-	-	1.34	1.72	2.18	2.72	3.37	4.14	5.07
50	-	-	-	1.45	1.84	2.31	2.86	3.52	4.30
55	-	-	-	-	1.54	1.94	2.41	2.97	3.63
60	-	-	-	-	-	1.61	2.01	2.48	3.04
65	-	-	-	-	-	-	1.65	2.05	2.53

Nominal performance at to = 7.2 °C, tc = 54.4 °C

Cooling capacity	11 097	W
Power input	3 349	W
Current consumption	5.82	A
Mass flow	261	kg/h
C.O.P.	3.31	

Pressure switch settings

Maximum HP switch setting	30	bar(g)
Minimum LP switch setting	0.5	bar(g)
LP pump down setting	1	bar(g)

Sound power data

Sound power level	69	dB(A)
With acoustic hood	64	dB(A)

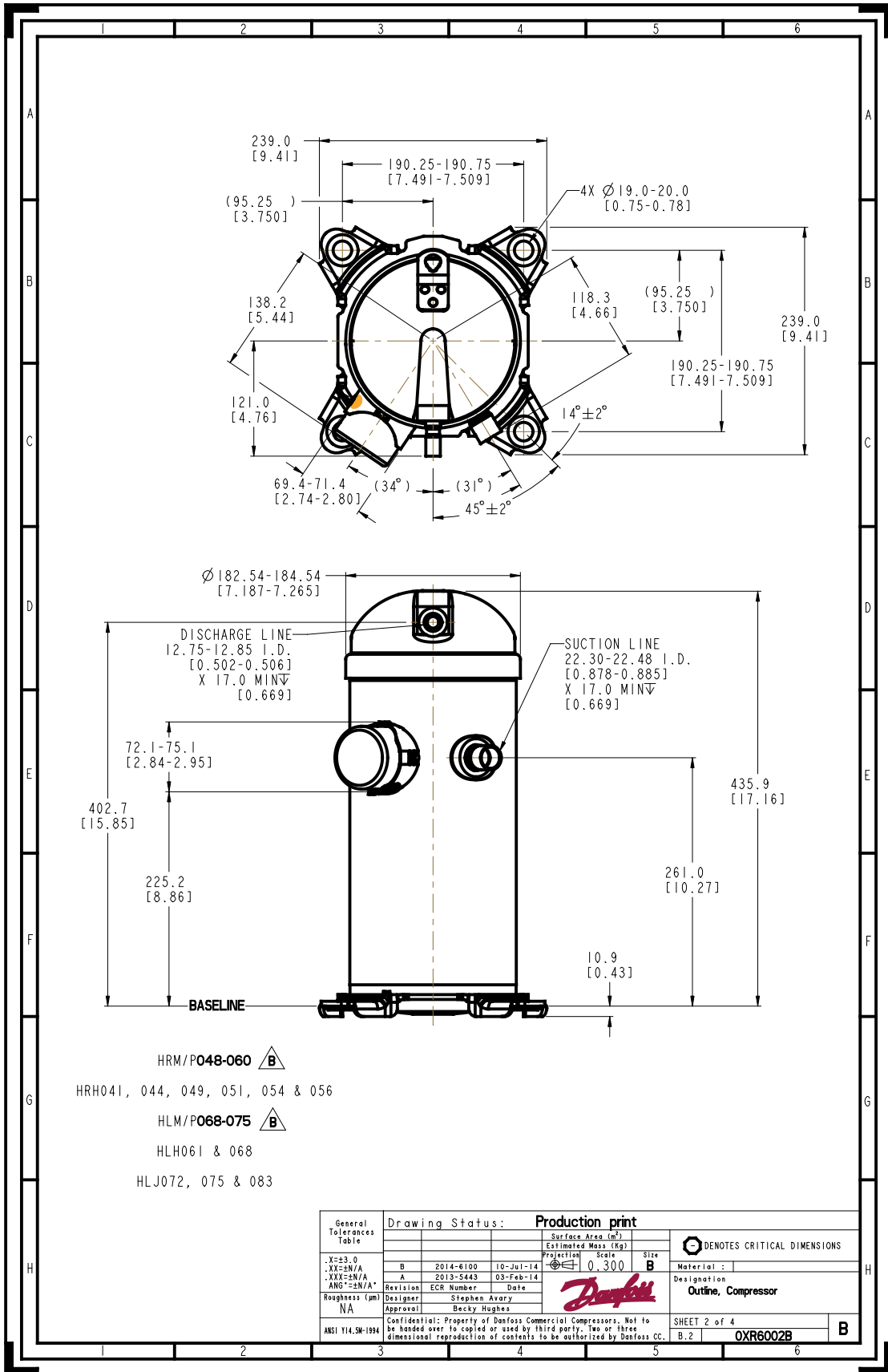
to: Evaporating temperature at dew point

tc: Condensing temperature at dew point

Rating conditions : Superheat = 11.1 K , Subcooling = 8.3 K

All performance data +/- 5%

Danfoss can accept no responsibility for possible errors in catalogues, brochures and other printed material. Danfoss reserves the right to alter its products without notice. This also applies to products already on order provided that such alternations can be made without subsequential changes being necessary in specifications already agreed. All trademarks in this material are property of the respective companies. Danfoss and the Danfoss logotype are trademarks of Danfoss A/S. All rights reserved.



Danfoss can accept no responsibility for possible errors in catalogues, brochures and other printed material. Danfoss reserves the right to alter its products without notice. This also applies to products already on order provided that such alternations can be made without consequential changes being necessary in specifications already agreed. All trademarks in this material are property of the respective companies. Danfoss, the Danfoss logotype and Maneurop are trademarks of Danfoss A/S. All rights reserved.