

Datasheets

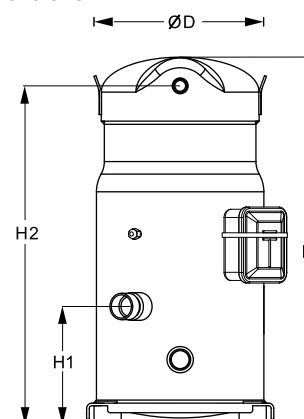
Danfoss scroll compressors **SM / SY / SZ / SH / WSH**



General Characteristics

Model number (on compressor nameplate)		SZ084S4VC
Code number for Singlepack*		SZ084-4VI
Code number for Industrial pack**		SZ084-4VM
Drawing number		8552036b
Suction and discharge connections		Brazed
Suction connection		1-1/8" ODF
Discharge connection		3/4" ODF
Oil sight glass		Threaded
Oil equalisation connection		3/8" flare SAE
Oil drain connection		None
LP gauge port		Schrader
IPR valve		None
Swept volume		114,5 cm ³ /rev
Displacement @ Nominal speed		19.9 m ³ /h @ 2900 rpm - 24.1 m ³ /h @ 3500 rpm
Net weight		64 kg
Oil charge		3,25 litre, POE - 160SZ
Maximum system test pressure Low Side / High side		25 bar(g) / 32 bar(g)
Maximum differential test pressure		24 bar
Maximum number of starts per hour		12
Refrigerant charge limit		8,5 kg
Approved refrigerants		R407C, R134a, R404A, R507A

Dimensions

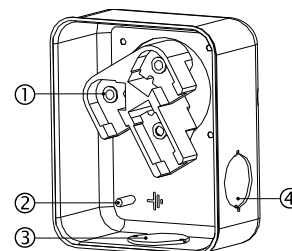


D=254 mm
H=508 mm
H1=141,9 mm
H2=464,5 mm
H3=- mm

Electrical Characteristics

Nominal voltage	380-400V/3/50Hz - 460V/3/60Hz
Voltage range	340-440 V @ 50Hz - 414-506 V @ 60Hz
Winding resistance (between phases) +/- 7% at 25°C	1.74 Ω
Rated Load Amps (RLA)	12.1 A
Maximum Continuous Current (MCC)	17 A
Locked Rotor Amps (LRA)	86 A
Motor protection	Internal overload protector

Terminal box



IP54 (with cable gland)
1: Power connection, 3 x 4.8 mm (3/16")
2: Earth M4-12
3: Knock-out Ø 29 mm (1.14")
4: Knock-out Ø 25.5 mm (1.00")

Recommended Installation torques

Oil sight glass	50 Nm
Power connections / Earth connection	3 Nm / 2 Nm
Mounting bolts	21 Nm

Parts shipped with compressor

Mounting kit with grommets, bolts, nuts, sleeves and washers
Initial oil charge
Installation instructions

Approvals : CE certified, UL certified (file SA6873), -

*Singlepack: Compressor in cardboard box

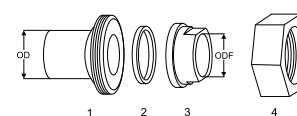
**Industrial pack: 8 Unboxed compressors on pallet (order per multiples of 8)

Rotolock accessories, suction side
Code no.

Solder sleeve, P02 (1-3/4" Rotolock, 1-1/8" ODF)	8153004
Angle adapter, C02 (1-3/4" Rotolock, 1-1/8" ODF)	8168005
Rotolock valve, V02 (1-3/4" Rotolock, 1-1/8" ODF)	8168028
Gasket, 1-3/4"	8156132

Rotolock accessories, discharge side
Code no.

Solder sleeve, P04 (1-1/4" Rotolock, 3/4" ODF)	8153008
Angle adapter, C04 (1-1/4" Rotolock, 3/4" ODF)	8168006
Rotolock valve, V04 (1-1/4" Rotolock, 3/4" ODF)	8168029
Gasket, 1-1/4"	8156131

Solder sleeve adapter set


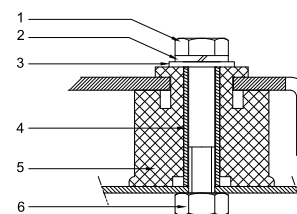
- 1: Rotolock adapter (Suc & Dis)
- 2: Gasket (Suc & Dis)
- 3: Solder sleeve (Suc & Dis)
- 4: Rotolock nut (Suc & Dis)

Rotolock accessories, sets
Code no.

Solder sleeve adapter set (1-3/4" Rotolock, 1-1/8" ODF), (1-1/4" Rotolock, 3/4" ODF)	7765005
Angle adapter set, C02 (1-3/4"~1-1/8"), C04 (1-1/4"~3/4")	7703014
Valve set, V02 (1-3/4"~1-1/8"), V04 (1-1/4"~3/4")	7703009
Gasket set, 1-1/4", 1-3/4", 2-1/4", OSG gaskets black & white	8156013

Oil / lubricants
Code no.

POE lubricant, 160SZ, 1 litre can	7754023
POE lubricant, 160SZ, 2.5 litre can	120Z0571

Mounting kit


- 1: Bolt (4x)
- 2: Lock washer (4x)
- 3: Flat washer (4x)
- 4: Sleeve (4x)
- 5: Grommet (4x)
- 6: Nut (4x)

Crankcase heaters
Code no.

Surface sump heater + bottom insulation, 48 W, 24 V, CE mark, UL	120Z0361
Surface sump heater + bottom insulation, 48 W, 230 V, CE mark, UL	120Z0380
Surface sump heater + bottom insulation, 48 W, 400 V, CE mark, UL	120Z0381
Surface sump heater + bottom insulation, 48 W, 460 V, CE mark, UL	120Z0382
Belt type crankcase heater, 65 W, 460 V, CE mark, UL	120Z0466
Belt type crankcase heater, 65 W, 230 V, CE mark, UL	7773107
Belt type crankcase heater, 65 W, 400 V, CE mark, UL	7773117
Belt type crankcase heater, 65 W, 400 V, CE mark, UL	120Z0039

Miscellaneous accessories
Code no.

Electronic soft start kit, MCI 15 C	7705006
Acoustic hood for scroll compressor S084-S090-S100	7755011
Bottom insulation for scroll compressor	120Z0356
Discharge thermostat kit	7750009

Spare parts
Code no.

Mounting kit for 1 scroll compressor including 4 grommets, 4 sleeves, 4 bolts, 4 washers	8156138
Oil sight glass with gaskets (black & white)	8156019
Gasket for oil sight glass (white teflon)	8156129
Service kit for terminal box 96 x 115 mm, including 1 cover, 1 clamp	8156135
T block connector 52 x 57 mm	8173230

Performance data at 50 Hz, EN 12900 rating conditions

R407C

Cond. temp. in °C (tc)	Evaporating temperature in °C (to)							
	-20	-15	-10	-5	0	5	10	15

Cooling capacity in W

30	7 168	9 179	11 606	14 497	17 898	21 858	26 423	31 641	-
35	6 686	8 633	10 975	13 759	17 031	20 840	25 231	30 253	-
40	6 193	8 062	10 304	12 966	16 095	19 738	23 942	28 753	-
45	-	7 465	9 593	12 120	15 091	18 554	22 554	27 140	-
50	-	-	8 843	11 219	14 018	17 285	21 068	25 413	-
55	-	-	-	10 264	12 876	15 933	19 483	23 571	-
60	-	-	-	-	11 664	14 496	17 797	21 613	-
65	-	-	-	-	10 381	12 973	16 010	19 537	-

Power input in W

30	3 507	3 549	3 582	3 604	3 610	3 599	3 567	3 511	-
35	3 898	3 942	3 979	4 004	4 015	4 010	3 984	3 936	-
40	4 336	4 383	4 423	4 453	4 470	4 471	4 453	4 413	-
45	-	4 878	4 922	4 957	4 980	4 988	4 977	4 946	-
50	-	-	5 480	5 521	5 551	5 566	5 564	5 542	-
55	-	-	-	6 151	6 187	6 211	6 218	6 205	-
60	-	-	-	-	6 896	6 928	6 944	6 942	-
65	-	-	-	-	7 681	7 722	7 749	7 758	-

Current consumption in A

30	8.23	8.28	8.32	8.33	8.32	8.28	8.19	8.07	-
35	8.60	8.65	8.70	8.72	8.72	8.69	8.62	8.51	-
40	9.04	9.10	9.15	9.19	9.20	9.18	9.12	9.03	-
45	-	9.64	9.70	9.74	9.76	9.76	9.72	9.65	-
50	-	-	10.34	10.40	10.44	10.45	10.43	10.37	-
55	-	-	-	11.17	11.22	11.25	11.25	11.21	-
60	-	-	-	-	12.13	12.18	12.20	12.19	-
65	-	-	-	-	13.18	13.25	13.29	13.30	-

Mass flow in kg/h

30	150	188	233	286	347	417	497	588	-
35	146	185	231	284	346	416	497	588	-
40	143	182	228	282	344	414	495	586	-
45	-	179	225	278	340	411	491	582	-
50	-	-	220	274	336	406	486	577	-
55	-	-	-	268	330	400	480	570	-
60	-	-	-	-	322	392	471	560	-
65	-	-	-	-	313	382	460	549	-

Coefficient of performance (C.O.P.)

30	2.04	2.59	3.24	4.02	4.96	6.07	7.41	9.01	-
35	1.72	2.19	2.76	3.44	4.24	5.20	6.33	7.69	-
40	1.43	1.84	2.33	2.91	3.60	4.42	5.38	6.52	-
45	-	1.53	1.95	2.45	3.03	3.72	4.53	5.49	-
50	-	-	1.61	2.03	2.53	3.11	3.79	4.59	-
55	-	-	-	1.67	2.08	2.57	3.13	3.80	-
60	-	-	-	-	1.69	2.09	2.56	3.11	-
65	-	-	-	-	1.35	1.68	2.07	2.52	-

Nominal performance at to = 5 °C, tc = 50 °C

Cooling capacity	17 285	W
Power input	5 566	W
Current consumption	10.45	A
Mass flow	406	kg/h
C.O.P.	3.11	



Pressure switch settings

Maximum HP switch setting	29.5	bar(g)
Minimum LP switch setting	0.5	bar(g)
LP pump down setting	1	bar(g)

Sound power data

Sound power level	71	dB(A)
With acoustic hood	63	dB(A)

to: Evaporating temperature at dew point

tc: Condensing temperature at dew point

Rating conditions : Superheat = 10 K , Subcooling = 0 K

All performance data +/- 5%

Danfoss can accept no responsibility for possible errors in catalogues, brochures and other printed material. Danfoss reserves the right to alter its products without notice. This also applies to products already on order provided that such alternations can be made without subsequential changes being necessary in specifications already agreed. All trademarks in this material are property of the respective companies. Danfoss and the Danfoss logotype are trademarks of Danfoss A/S. All rights reserved.

Performance data at 50 Hz, ARI rating conditions
R407C

Cond. temp. in °C (tc)	Evaporating temperature in °C (to)							
	-20	-15	-10	-5	0	5	10	15

Cooling capacity in W

30	7 688	9 833	12 419	15 496	19 113	23 318	28 161	33 691	-
35	7 206	9 292	11 798	14 773	18 267	22 327	27 004	32 347	-
40	6 712	8 725	11 136	13 995	17 350	21 252	25 748	30 888	-
45	-	8 130	10 432	13 160	16 363	20 090	24 391	29 314	-
50	-	-	9 687	12 269	15 305	18 844	22 934	27 625	-
55	-	-	-	11 321	14 175	17 510	21 376	25 821	-
60	-	-	-	-	12 973	16 090	19 717	23 901	-
65	-	-	-	-	11 698	14 583	17 956	21 864	-

Power input in W

30	3 507	3 549	3 582	3 604	3 610	3 599	3 567	3 511	-
35	3 898	3 942	3 979	4 004	4 015	4 010	3 984	3 936	-
40	4 336	4 383	4 423	4 453	4 470	4 471	4 453	4 413	-
45	-	4 878	4 922	4 957	4 980	4 988	4 977	4 946	-
50	-	-	5 480	5 521	5 551	5 566	5 564	5 542	-
55	-	-	-	6 151	6 187	6 211	6 218	6 205	-
60	-	-	-	-	6 896	6 928	6 944	6 942	-
65	-	-	-	-	7 681	7 722	7 749	7 758	-

Current consumption in A

30	8.23	8.28	8.32	8.33	8.32	8.28	8.19	8.07	-
35	8.60	8.65	8.70	8.72	8.72	8.69	8.62	8.51	-
40	9.04	9.10	9.15	9.19	9.20	9.18	9.12	9.03	-
45	-	9.64	9.70	9.74	9.76	9.76	9.72	9.65	-
50	-	-	10.34	10.40	10.44	10.45	10.43	10.37	-
55	-	-	-	11.17	11.22	11.25	11.25	11.21	-
60	-	-	-	-	12.13	12.18	12.20	12.19	-
65	-	-	-	-	13.18	13.25	13.29	13.30	-

Mass flow in kg/h

30	149	187	232	285	345	415	494	584	-
35	146	184	230	283	344	414	494	584	-
40	142	181	227	280	342	412	492	582	-
45	-	178	224	277	338	409	489	579	-
50	-	-	219	272	334	404	484	574	-
55	-	-	-	267	328	397	477	566	-
60	-	-	-	-	320	389	468	557	-
65	-	-	-	-	311	379	457	545	-

Coefficient of performance (C.O.P.)

30	2.19	2.77	3.47	4.30	5.29	6.48	7.90	9.60	-
35	1.85	2.36	2.97	3.69	4.55	5.57	6.78	8.22	-
40	1.55	1.99	2.52	3.14	3.88	4.75	5.78	7.00	-
45	-	1.67	2.12	2.65	3.29	4.03	4.90	5.93	-
50	-	-	1.77	2.22	2.76	3.39	4.12	4.99	-
55	-	-	-	1.84	2.29	2.82	3.44	4.16	-
60	-	-	-	-	1.88	2.32	2.84	3.44	-
65	-	-	-	-	1.52	1.89	2.32	2.82	-

Nominal performance at to = 7.2 °C, tc = 54.4 °C

Cooling capacity	19 319	W
Power input	6 134	W
Current consumption	11.15	A
Mass flow	432	kg/h
C.O.P.	3.15	

Pressure switch settings

Maximum HP switch setting	29.5	bar(g)
Minimum LP switch setting	0.5	bar(g)
LP pump down setting	1	bar(g)

Sound power data

Sound power level	71	dB(A)
With acoustic hood	63	dB(A)

to: Evaporating temperature at dew point

tc: Condensing temperature at dew point

Rating conditions : Superheat = 11.1 K , Subcooling = 8.3 K

All performance data +/- 5%

Danfoss can accept no responsibility for possible errors in catalogues, brochures and other printed material. Danfoss reserves the right to alter its products without notice. This also applies to products already on order provided that such alternations can be made without subsequential changes being necessary in specifications already agreed. All trademarks in this material are property of the respective companies. Danfoss and the Danfoss logotype are trademarks of Danfoss A/S. All rights reserved.

Performance data at 50 Hz, EN 12900 rating conditions

R134a

Cond. temp. in °C (tc)	Evaporating temperature in °C (to)							
	-15	-10	-5	0	5	10	15	

Cooling capacity in W

35	5 701	7 382	9 359	11 663	14 322	17 369	20 832	-	-
40	5 308	6 929	8 833	11 050	13 610	16 543	19 879	-	-
45	4 903	6 456	8 279	10 401	12 853	15 664	18 864	-	-
50	4 488	5 965	7 699	9 718	12 053	14 734	17 791	-	-
55	-	5 458	7 094	9 003	11 213	13 755	16 659	-	-
60	-	-	6 468	8 257	10 335	12 730	15 472	-	-
65	-	-	-	7 484	9 419	11 659	14 231	-	-
70	-	-	-	6 685	8 470	10 544	12 937	-	-

Power input in W

35	2 775	2 786	2 787	2 775	2 749	2 706	2 644	-	-
40	3 080	3 092	3 094	3 085	3 062	3 022	2 963	-	-
45	3 428	3 442	3 447	3 440	3 419	3 383	3 327	-	-
50	3 825	3 840	3 847	3 843	3 826	3 793	3 741	-	-
55	-	4 291	4 301	4 300	4 286	4 256	4 209	-	-
60	-	-	4 811	4 813	4 803	4 777	4 734	-	-
65	-	-	-	5 388	5 381	5 359	5 320	-	-
70	-	-	-	6 027	6 024	6 007	5 973	-	-

Current consumption in A

35	7.14	7.20	7.25	7.26	7.25	7.19	7.08	-	-
40	7.42	7.49	7.53	7.55	7.54	7.48	7.38	-	-
45	7.76	7.83	7.88	7.90	7.89	7.83	7.74	-	-
50	8.17	8.24	8.29	8.31	8.30	8.25	8.16	-	-
55	-	8.72	8.77	8.80	8.79	8.75	8.66	-	-
60	-	-	9.34	9.36	9.36	9.32	9.23	-	-
65	-	-	-	10.01	10.01	9.97	9.89	-	-
70	-	-	-	10.75	10.76	10.72	10.64	-	-

Mass flow in kg/h

35	138	175	217	265	319	380	448	-	-
40	135	173	215	263	318	379	447	-	-
45	132	170	212	261	316	377	445	-	-
50	128	166	209	258	313	374	442	-	-
55	-	162	205	254	309	370	438	-	-
60	-	-	200	249	304	365	432	-	-
65	-	-	-	243	298	358	426	-	-
70	-	-	-	237	291	351	418	-	-

Coefficient of performance (C.O.P.)

35	2.05	2.65	3.36	4.20	5.21	6.42	7.88	-	-
40	1.72	2.24	2.85	3.58	4.45	5.47	6.71	-	-
45	1.43	1.88	2.40	3.02	3.76	4.63	5.67	-	-
50	1.17	1.55	2.00	2.53	3.15	3.88	4.76	-	-
55	-	1.27	1.65	2.09	2.62	3.23	3.96	-	-
60	-	-	1.34	1.72	2.15	2.66	3.27	-	-
65	-	-	-	1.39	1.75	2.18	2.67	-	-
70	-	-	-	1.11	1.41	1.76	2.17	-	-

Nominal performance at to = 5 °C, tc = 50 °C

Cooling capacity	12 053	W
Power input	3 826	W
Current consumption	8.30	A
Mass flow	313	kg/h
C.O.P.	3.15	

Pressure switch settings

Maximum HP switch setting	20.5	bar(g)
Minimum LP switch setting	0.5	bar(g)
LP pump down setting	0.5	bar(g)

Sound power data

Sound power level	0	dB(A)
With acoustic hood	0	dB(A)

to: Evaporating temperature at dew point

tc: Condensing temperature at dew point

Rating conditions : Superheat = 10 K , Subcooling = 0 K

All performance data +/- 5%

Danfoss can accept no responsibility for possible errors in catalogues, brochures and other printed material. Danfoss reserves the right to alter its products without notice. This also applies to products already on order provided that such alternations can be made without subsequential changes being necessary in specifications already agreed. All trademarks in this material are property of the respective companies. Danfoss and the Danfoss logotype are trademarks of Danfoss A/S. All rights reserved.

Performance data at 50 Hz, ARI rating conditions

R134a

Cond. temp. in °C (tc)	Evaporating temperature in °C (to)							
	-15	-10	-5	0	5	10	15	

Cooling capacity in W

35	6 175	7 982	10 103	12 570	15 414	18 666	22 357	-	-
40	5 781	7 532	9 584	11 969	14 717	17 860	21 429	-	-
45	5 373	7 059	9 034	11 328	13 973	16 999	20 437	-	-
50	4 953	6 567	8 457	10 652	13 184	16 084	19 384	-	-
55	-	6 058	7 853	9 941	12 353	15 120	18 273	-	-
60	-	-	7 227	9 199	11 482	14 106	17 104	-	-
65	-	-	-	8 427	10 573	13 047	15 882	-	-
70	-	-	-	7 629	9 629	11 945	14 607	-	-

Power input in W

35	2 775	2 786	2 787	2 775	2 749	2 706	2 644	-	-
40	3 080	3 092	3 094	3 085	3 062	3 022	2 963	-	-
45	3 428	3 442	3 447	3 440	3 419	3 383	3 327	-	-
50	3 825	3 840	3 847	3 843	3 826	3 793	3 741	-	-
55	-	4 291	4 301	4 300	4 286	4 256	4 209	-	-
60	-	-	4 811	4 813	4 803	4 777	4 734	-	-
65	-	-	-	5 388	5 381	5 359	5 320	-	-
70	-	-	-	6 027	6 024	6 007	5 973	-	-

Current consumption in A

35	7.14	7.20	7.25	7.26	7.25	7.19	7.08	-	-
40	7.42	7.49	7.53	7.55	7.54	7.48	7.38	-	-
45	7.76	7.83	7.88	7.90	7.89	7.83	7.74	-	-
50	8.17	8.24	8.29	8.31	8.30	8.25	8.16	-	-
55	-	8.72	8.77	8.80	8.79	8.75	8.66	-	-
60	-	-	9.34	9.36	9.36	9.32	9.23	-	-
65	-	-	-	10.01	10.01	9.97	9.89	-	-
70	-	-	-	10.75	10.76	10.72	10.64	-	-

Mass flow in kg/h

35	138	174	216	264	318	378	446	-	-
40	135	172	214	262	316	377	445	-	-
45	131	169	211	260	314	375	443	-	-
50	127	165	208	256	311	372	440	-	-
55	-	161	204	253	307	368	435	-	-
60	-	-	199	248	302	363	430	-	-
65	-	-	-	242	296	356	423	-	-
70	-	-	-	235	289	349	416	-	-

Coefficient of performance (C.O.P.)

35	2.22	2.87	3.63	4.53	5.61	6.90	8.46	-	-
40	1.88	2.44	3.10	3.88	4.81	5.91	7.23	-	-
45	1.57	2.05	2.62	3.29	4.09	5.03	6.14	-	-
50	1.30	1.71	2.20	2.77	3.45	4.24	5.18	-	-
55	-	1.41	1.83	2.31	2.88	3.55	4.34	-	-
60	-	-	1.50	1.91	2.39	2.95	3.61	-	-
65	-	-	-	1.56	1.96	2.43	2.99	-	-
70	-	-	-	1.27	1.60	1.99	2.45	-	-

Nominal performance at to = 7.2 °C, tc = 54.4 °C

Cooling capacity	13 633	W
Power input	4 217	W
Current consumption	8.71	A
Mass flow	333	kg/h
C.O.P.	3.23	

Pressure switch settings

Maximum HP switch setting	20.5	bar(g)
Minimum LP switch setting	0.5	bar(g)
LP pump down setting	0.5	bar(g)

Sound power data

Sound power level	0	dB(A)
With acoustic hood	0	dB(A)

to: Evaporating temperature at dew point

tc: Condensing temperature at dew point

Rating conditions : Superheat = 11.1 K , Subcooling = 8.3 K

All performance data +/- 5%

Danfoss can accept no responsibility for possible errors in catalogues, brochures and other printed material. Danfoss reserves the right to alter its products without notice. This also applies to products already on order provided that such alternations can be made without subsequential changes being necessary in specifications already agreed. All trademarks in this material are property of the respective companies. Danfoss and the Danfoss logotype are trademarks of Danfoss A/S. All rights reserved.

Performance data at 50 Hz, EN 12900 rating conditions

R134a

Cond. temp. in °C (tc)	Evaporating temperature in °C (to)							
	-15	-10	-5	0	5	10	15	

Cooling capacity in W

35	5 701	7 382	9 359	11 663	14 322	17 369	20 832	-	-
40	5 308	6 929	8 833	11 050	13 610	16 543	19 879	-	-
45	4 903	6 456	8 279	10 401	12 853	15 664	18 864	-	-
50	4 488	5 965	7 699	9 718	12 053	14 734	17 791	-	-
55	-	5 458	7 094	9 003	11 213	13 755	16 659	-	-
60	-	-	6 468	8 257	10 335	12 730	15 472	-	-
65	-	-	-	7 484	9 419	11 659	14 231	-	-
70	-	-	-	6 685	8 470	10 544	12 937	-	-

Power input in W

35	2 775	2 786	2 787	2 775	2 749	2 706	2 644	-	-
40	3 080	3 092	3 094	3 085	3 062	3 022	2 963	-	-
45	3 428	3 442	3 447	3 440	3 419	3 383	3 327	-	-
50	3 825	3 840	3 847	3 843	3 826	3 793	3 741	-	-
55	-	4 291	4 301	4 300	4 286	4 256	4 209	-	-
60	-	-	4 811	4 813	4 803	4 777	4 734	-	-
65	-	-	-	5 388	5 381	5 359	5 320	-	-
70	-	-	-	6 027	6 024	6 007	5 973	-	-

Current consumption in A

35	7.14	7.20	7.25	7.26	7.25	7.19	7.08	-	-
40	7.42	7.49	7.53	7.55	7.54	7.48	7.38	-	-
45	7.76	7.83	7.88	7.90	7.89	7.83	7.74	-	-
50	8.17	8.24	8.29	8.31	8.30	8.25	8.16	-	-
55	-	8.72	8.77	8.80	8.79	8.75	8.66	-	-
60	-	-	9.34	9.36	9.36	9.32	9.23	-	-
65	-	-	-	10.01	10.01	9.97	9.89	-	-
70	-	-	-	10.75	10.76	10.72	10.64	-	-

Mass flow in kg/h

35	138	175	217	265	319	380	448	-	-
40	135	173	215	263	318	379	447	-	-
45	132	170	212	261	316	377	445	-	-
50	128	166	209	258	313	374	442	-	-
55	-	162	205	254	309	370	438	-	-
60	-	-	200	249	304	365	432	-	-
65	-	-	-	243	298	358	426	-	-
70	-	-	-	237	291	351	418	-	-

Coefficient of performance (C.O.P.)

35	2.05	2.65	3.36	4.20	5.21	6.42	7.88	-	-
40	1.72	2.24	2.85	3.58	4.45	5.47	6.71	-	-
45	1.43	1.88	2.40	3.02	3.76	4.63	5.67	-	-
50	1.17	1.55	2.00	2.53	3.15	3.88	4.76	-	-
55	-	1.27	1.65	2.09	2.62	3.23	3.96	-	-
60	-	-	1.34	1.72	2.15	2.66	3.27	-	-
65	-	-	-	1.39	1.75	2.18	2.67	-	-
70	-	-	-	1.11	1.41	1.76	2.17	-	-

Nominal performance at to = 5 °C, tc = 50 °C

Cooling capacity	12 053	W
Power input	3 826	W
Current consumption	8.30	A
Mass flow	313	kg/h
C.O.P.	3.15	

Pressure switch settings

Maximum HP switch setting	20.5	bar(g)
Minimum LP switch setting	0.5	bar(g)
LP pump down setting	0.5	bar(g)

Sound power data

Sound power level	0	dB(A)
With acoustic hood	0	dB(A)

to: Evaporating temperature at dew point

tc: Condensing temperature at dew point

Rating conditions : Superheat = 10 K, Subcooling = 0 K

All performance data +/- 5%

Danfoss can accept no responsibility for possible errors in catalogues, brochures and other printed material. Danfoss reserves the right to alter its products without notice. This also applies to products already on order provided that such alternations can be made without subsequential changes being necessary in specifications already agreed. All trademarks in this material are property of the respective companies. Danfoss and the Danfoss logotype are trademarks of Danfoss A/S. All rights reserved.

Performance data at 50 Hz, ARI rating conditions

R134a

Cond. temp. in °C (tc)	Evaporating temperature in °C (to)							
	-15	-10	-5	0	5	10	15	

Cooling capacity in W

35	6 175	7 982	10 103	12 570	15 414	18 666	22 357	-	-
40	5 781	7 532	9 584	11 969	14 717	17 860	21 429	-	-
45	5 373	7 059	9 034	11 328	13 973	16 999	20 437	-	-
50	4 953	6 567	8 457	10 652	13 184	16 084	19 384	-	-
55	-	6 058	7 853	9 941	12 353	15 120	18 273	-	-
60	-	-	7 227	9 199	11 482	14 106	17 104	-	-
65	-	-	-	8 427	10 573	13 047	15 882	-	-
70	-	-	-	7 629	9 629	11 945	14 607	-	-

Power input in W

35	2 775	2 786	2 787	2 775	2 749	2 706	2 644	-	-
40	3 080	3 092	3 094	3 085	3 062	3 022	2 963	-	-
45	3 428	3 442	3 447	3 440	3 419	3 383	3 327	-	-
50	3 825	3 840	3 847	3 843	3 826	3 793	3 741	-	-
55	-	4 291	4 301	4 300	4 286	4 256	4 209	-	-
60	-	-	4 811	4 813	4 803	4 777	4 734	-	-
65	-	-	-	5 388	5 381	5 359	5 320	-	-
70	-	-	-	6 027	6 024	6 007	5 973	-	-

Current consumption in A

35	7.14	7.20	7.25	7.26	7.25	7.19	7.08	-	-
40	7.42	7.49	7.53	7.55	7.54	7.48	7.38	-	-
45	7.76	7.83	7.88	7.90	7.89	7.83	7.74	-	-
50	8.17	8.24	8.29	8.31	8.30	8.25	8.16	-	-
55	-	8.72	8.77	8.80	8.79	8.75	8.66	-	-
60	-	-	9.34	9.36	9.36	9.32	9.23	-	-
65	-	-	-	10.01	10.01	9.97	9.89	-	-
70	-	-	-	10.75	10.76	10.72	10.64	-	-

Mass flow in kg/h

35	138	174	216	264	318	378	446	-	-
40	135	172	214	262	316	377	445	-	-
45	131	169	211	260	314	375	443	-	-
50	127	165	208	256	311	372	440	-	-
55	-	161	204	253	307	368	435	-	-
60	-	-	199	248	302	363	430	-	-
65	-	-	-	242	296	356	423	-	-
70	-	-	-	235	289	349	416	-	-

Coefficient of performance (C.O.P.)

35	2.22	2.87	3.63	4.53	5.61	6.90	8.46	-	-
40	1.88	2.44	3.10	3.88	4.81	5.91	7.23	-	-
45	1.57	2.05	2.62	3.29	4.09	5.03	6.14	-	-
50	1.30	1.71	2.20	2.77	3.45	4.24	5.18	-	-
55	-	1.41	1.83	2.31	2.88	3.55	4.34	-	-
60	-	-	1.50	1.91	2.39	2.95	3.61	-	-
65	-	-	-	1.56	1.96	2.43	2.99	-	-
70	-	-	-	1.27	1.60	1.99	2.45	-	-

Nominal performance at to = 7.2 °C, tc = 54.4 °C

Cooling capacity	13 633	W
Power input	4 217	W
Current consumption	8.71	A
Mass flow	333	kg/h
C.O.P.	3.23	

Pressure switch settings

Maximum HP switch setting	20.5	bar(g)
Minimum LP switch setting	0.5	bar(g)
LP pump down setting	0.5	bar(g)

Sound power data

Sound power level	0	dB(A)
With acoustic hood	0	dB(A)

to: Evaporating temperature at dew point

tc: Condensing temperature at dew point

Rating conditions : Superheat = 11.1 K , Subcooling = 8.3 K

All performance data +/- 5%

Danfoss can accept no responsibility for possible errors in catalogues, brochures and other printed material. Danfoss reserves the right to alter its products without notice. This also applies to products already on order provided that such alternations can be made without subsequential changes being necessary in specifications already agreed. All trademarks in this material are property of the respective companies. Danfoss and the Danfoss logotype are trademarks of Danfoss A/S. All rights reserved.

Performance data at 50 Hz, EN 12900 rating conditions

R407C

Cond. temp. in °C (tc)	Evaporating temperature in °C (to)							
	-20	-15	-10	-5	0	5	10	15

Cooling capacity in W

30	7 168	9 179	11 606	14 497	17 898	21 858	26 423	31 641	-
35	6 686	8 633	10 975	13 759	17 031	20 840	25 231	30 253	-
40	6 193	8 062	10 304	12 966	16 095	19 738	23 942	28 753	-
45	-	7 465	9 593	12 120	15 091	18 554	22 554	27 140	-
50	-	-	8 843	11 219	14 018	17 285	21 068	25 413	-
55	-	-	-	10 264	12 876	15 933	19 483	23 571	-
60	-	-	-	-	11 664	14 496	17 797	21 613	-
65	-	-	-	-	10 381	12 973	16 010	19 537	-

Power input in W

30	3 507	3 549	3 582	3 604	3 610	3 599	3 567	3 511	-
35	3 898	3 942	3 979	4 004	4 015	4 010	3 984	3 936	-
40	4 336	4 383	4 423	4 453	4 470	4 471	4 453	4 413	-
45	-	4 878	4 922	4 957	4 980	4 988	4 977	4 946	-
50	-	-	5 480	5 521	5 551	5 566	5 564	5 542	-
55	-	-	-	6 151	6 187	6 211	6 218	6 205	-
60	-	-	-	-	6 896	6 928	6 944	6 942	-
65	-	-	-	-	7 681	7 722	7 749	7 758	-

Current consumption in A

30	8.23	8.28	8.32	8.33	8.32	8.28	8.19	8.07	-
35	8.60	8.65	8.70	8.72	8.72	8.69	8.62	8.51	-
40	9.04	9.10	9.15	9.19	9.20	9.18	9.12	9.03	-
45	-	9.64	9.70	9.74	9.76	9.76	9.72	9.65	-
50	-	-	10.34	10.40	10.44	10.45	10.43	10.37	-
55	-	-	-	11.17	11.22	11.25	11.25	11.21	-
60	-	-	-	-	12.13	12.18	12.20	12.19	-
65	-	-	-	-	13.18	13.25	13.29	13.30	-

Mass flow in kg/h

30	150	188	233	286	347	417	497	588	-
35	146	185	231	284	346	416	497	588	-
40	143	182	228	282	344	414	495	586	-
45	-	179	225	278	340	411	491	582	-
50	-	-	220	274	336	406	486	577	-
55	-	-	-	268	330	400	480	570	-
60	-	-	-	-	322	392	471	560	-
65	-	-	-	-	313	382	460	549	-

Coefficient of performance (C.O.P.)

30	2.04	2.59	3.24	4.02	4.96	6.07	7.41	9.01	-
35	1.72	2.19	2.76	3.44	4.24	5.20	6.33	7.69	-
40	1.43	1.84	2.33	2.91	3.60	4.42	5.38	6.52	-
45	-	1.53	1.95	2.45	3.03	3.72	4.53	5.49	-
50	-	-	1.61	2.03	2.53	3.11	3.79	4.59	-
55	-	-	-	1.67	2.08	2.57	3.13	3.80	-
60	-	-	-	-	1.69	2.09	2.56	3.11	-
65	-	-	-	-	1.35	1.68	2.07	2.52	-

Nominal performance at to = 5 °C, tc = 50 °C

Cooling capacity	17 285	W
Power input	5 566	W
Current consumption	10.45	A
Mass flow	406	kg/h
C.O.P.	3.11	



Pressure switch settings

Maximum HP switch setting	29.5	bar(g)
Minimum LP switch setting	0.5	bar(g)
LP pump down setting	1	bar(g)

Sound power data

Sound power level	71	dB(A)
With acoustic hood	63	dB(A)

to: Evaporating temperature at dew point

tc: Condensing temperature at dew point

Rating conditions : Superheat = 10 K , Subcooling = 0 K

All performance data +/- 5%

Danfoss can accept no responsibility for possible errors in catalogues, brochures and other printed material. Danfoss reserves the right to alter its products without notice. This also applies to products already on order provided that such alternations can be made without subsequential changes being necessary in specifications already agreed. All trademarks in this material are property of the respective companies. Danfoss and the Danfoss logotype are trademarks of Danfoss A/S. All rights reserved.

Performance data at 50 Hz, ARI rating conditions
R407C

Cond. temp. in °C (tc)	Evaporating temperature in °C (to)							
	-20	-15	-10	-5	0	5	10	15

Cooling capacity in W

30	7 688	9 833	12 419	15 496	19 113	23 318	28 161	33 691	-
35	7 206	9 292	11 798	14 773	18 267	22 327	27 004	32 347	-
40	6 712	8 725	11 136	13 995	17 350	21 252	25 748	30 888	-
45	-	8 130	10 432	13 160	16 363	20 090	24 391	29 314	-
50	-	-	9 687	12 269	15 305	18 844	22 934	27 625	-
55	-	-	-	11 321	14 175	17 510	21 376	25 821	-
60	-	-	-	-	12 973	16 090	19 717	23 901	-
65	-	-	-	-	11 698	14 583	17 956	21 864	-

Power input in W

30	3 507	3 549	3 582	3 604	3 610	3 599	3 567	3 511	-
35	3 898	3 942	3 979	4 004	4 015	4 010	3 984	3 936	-
40	4 336	4 383	4 423	4 453	4 470	4 471	4 453	4 413	-
45	-	4 878	4 922	4 957	4 980	4 988	4 977	4 946	-
50	-	-	5 480	5 521	5 551	5 566	5 564	5 542	-
55	-	-	-	6 151	6 187	6 211	6 218	6 205	-
60	-	-	-	-	6 896	6 928	6 944	6 942	-
65	-	-	-	-	7 681	7 722	7 749	7 758	-

Current consumption in A

30	8.23	8.28	8.32	8.33	8.32	8.28	8.19	8.07	-
35	8.60	8.65	8.70	8.72	8.72	8.69	8.62	8.51	-
40	9.04	9.10	9.15	9.19	9.20	9.18	9.12	9.03	-
45	-	9.64	9.70	9.74	9.76	9.76	9.72	9.65	-
50	-	-	10.34	10.40	10.44	10.45	10.43	10.37	-
55	-	-	-	11.17	11.22	11.25	11.25	11.21	-
60	-	-	-	-	12.13	12.18	12.20	12.19	-
65	-	-	-	-	13.18	13.25	13.29	13.30	-

Mass flow in kg/h

30	149	187	232	285	345	415	494	584	-
35	146	184	230	283	344	414	494	584	-
40	142	181	227	280	342	412	492	582	-
45	-	178	224	277	338	409	489	579	-
50	-	-	219	272	334	404	484	574	-
55	-	-	-	267	328	397	477	566	-
60	-	-	-	-	320	389	468	557	-
65	-	-	-	-	311	379	457	545	-

Coefficient of performance (C.O.P.)

30	2.19	2.77	3.47	4.30	5.29	6.48	7.90	9.60	-
35	1.85	2.36	2.97	3.69	4.55	5.57	6.78	8.22	-
40	1.55	1.99	2.52	3.14	3.88	4.75	5.78	7.00	-
45	-	1.67	2.12	2.65	3.29	4.03	4.90	5.93	-
50	-	-	1.77	2.22	2.76	3.39	4.12	4.99	-
55	-	-	-	1.84	2.29	2.82	3.44	4.16	-
60	-	-	-	-	1.88	2.32	2.84	3.44	-
65	-	-	-	-	1.52	1.89	2.32	2.82	-

Nominal performance at to = 7.2 °C, tc = 54.4 °C

Cooling capacity	19 319	W
Power input	6 134	W
Current consumption	11.15	A
Mass flow	432	kg/h
C.O.P.	3.15	

Pressure switch settings

Maximum HP switch setting	29.5	bar(g)
Minimum LP switch setting	0.5	bar(g)
LP pump down setting	1	bar(g)

Sound power data

Sound power level	71	dB(A)
With acoustic hood	63	dB(A)

to: Evaporating temperature at dew point

tc: Condensing temperature at dew point

Rating conditions : Superheat = 11.1 K , Subcooling = 8.3 K

All performance data +/- 5%

Danfoss can accept no responsibility for possible errors in catalogues, brochures and other printed material. Danfoss reserves the right to alter its products without notice. This also applies to products already on order provided that such alternations can be made without subsequential changes being necessary in specifications already agreed. All trademarks in this material are property of the respective companies. Danfoss and the Danfoss logotype are trademarks of Danfoss A/S. All rights reserved.

Performance data at 60 Hz, EN 12900 rating conditions
R407C

Cond. temp. in °C (tc)	Evaporating temperature in °C (to)							
	-20	-15	-10	-5	0	5	10	15

Cooling capacity in W

30	8 599	11 194	14 212	17 692	21 669	26 180	31 263	36 953	-
35	7 798	10 338	13 285	16 676	20 547	24 935	29 876	35 407	-
40	6 922	9 396	12 259	15 549	19 302	23 554	28 341	33 702	-
45	-	8 356	11 124	14 301	17 923	22 026	26 648	31 824	-
50	-	-	9 871	12 922	16 401	20 343	24 786	29 764	-
55	-	-	-	11 404	14 726	18 494	22 743	27 511	-
60	-	-	-	-	12 891	16 470	20 512	25 053	-
65	-	-	-	-	10 890	14 263	18 081	22 378	-

Power input in W

30	3 986	4 023	4 047	4 053	4 038	3 997	3 927	3 823	-
35	4 454	4 494	4 521	4 532	4 521	4 486	4 423	4 326	-
40	4 985	5 028	5 059	5 074	5 069	5 040	4 984	4 896	-
45	-	5 632	5 667	5 687	5 689	5 667	5 618	5 539	-
50	-	-	6 354	6 380	6 388	6 374	6 333	6 263	-
55	-	-	-	7 158	7 174	7 168	7 137	7 076	-
60	-	-	-	-	8 054	8 057	8 035	7 985	-
65	-	-	-	-	9 036	9 048	9 037	8 998	-

Current consumption in A

30	9.20	8.83	8.51	8.25	8.07	8.00	8.07	8.29	-
35	9.23	8.87	8.56	8.32	8.17	8.13	8.23	8.49	-
40	9.41	9.07	8.78	8.56	8.44	8.43	8.56	8.86	-
45	-	9.47	9.20	9.01	8.91	8.94	9.11	9.45	-
50	-	-	9.86	9.69	9.63	9.69	9.90	10.29	-
55	-	-	-	10.64	10.62	10.72	10.98	11.41	-
60	-	-	-	-	11.91	12.06	12.36	12.85	-
65	-	-	-	-	13.55	13.74	14.10	14.63	-

Mass flow in kg/h

30	179	229	286	350	422	502	591	689	-
35	170	221	279	344	417	498	588	687	-
40	160	212	271	337	411	494	585	685	-
45	-	200	261	329	404	487	580	682	-
50	-	-	247	316	393	478	572	676	-
55	-	-	-	299	378	465	561	666	-
60	-	-	-	-	356	446	543	651	-
65	-	-	-	-	328	419	520	629	-

Coefficient of performance (C.O.P.)

30	2.16	2.78	3.51	4.37	5.37	6.55	7.96	9.67	-
35	1.75	2.30	2.94	3.68	4.54	5.56	6.76	8.18	-
40	1.39	1.87	2.42	3.06	3.81	4.67	5.69	6.88	-
45	-	1.48	1.96	2.51	3.15	3.89	4.74	5.75	-
50	-	-	1.55	2.03	2.57	3.19	3.91	4.75	-
55	-	-	-	1.59	2.05	2.58	3.19	3.89	-
60	-	-	-	-	1.60	2.04	2.55	3.14	-
65	-	-	-	-	1.21	1.58	2.00	2.49	-

Nominal performance at to = 5 °C, tc = 50 °C

Cooling capacity	20 343	W
Power input	6 374	W
Current consumption	9.69	A
Mass flow	478	kg/h
C.O.P.	3.19	

Pressure switch settings

Maximum HP switch setting	29.5	bar(g)
Minimum LP switch setting	0.5	bar(g)
LP pump down setting	1	bar(g)

Sound power data

Sound power level	74	dB(A)
With acoustic hood	66	dB(A)

to: Evaporating temperature at dew point

tc: Condensing temperature at dew point

Rating conditions : Superheat = 10 K, Subcooling = 0 K

All performance data +/- 5%

Danfoss can accept no responsibility for possible errors in catalogues, brochures and other printed material. Danfoss reserves the right to alter its products without notice. This also applies to products already on order provided that such alternations can be made without subsequential changes being necessary in specifications already agreed. All trademarks in this material are property of the respective companies. Danfoss and the Danfoss logotype are trademarks of Danfoss A/S. All rights reserved.

Performance data at 60 Hz, ARI rating conditions

R407C

Cond. temp. in °C (tc)	Evaporating temperature in °C (to)							
	-20	-15	-10	-5	0	5	10	15

Cooling capacity in W

30	9 223	11 992	15 209	18 912	23 139	27 929	33 319	39 348	-
35	8 404	11 128	14 282	17 906	22 037	26 714	31 975	37 857	-
40	7 502	10 168	13 249	16 782	20 806	25 359	30 479	36 204	-
45	-	9 101	12 097	15 528	19 434	23 851	28 818	34 374	-
50	-	-	10 813	14 131	17 906	22 177	26 981	32 356	-
55	-	-	-	12 578	16 212	20 325	24 953	30 137	-
60	-	-	-	-	14 338	18 281	22 724	27 704	-
65	-	-	-	-	12 272	16 034	20 279	25 045	-

Power input in W

30	3 986	4 023	4 047	4 053	4 038	3 997	3 927	3 823	-
35	4 454	4 494	4 521	4 532	4 521	4 486	4 423	4 326	-
40	4 985	5 028	5 059	5 074	5 069	5 040	4 984	4 896	-
45	-	5 632	5 667	5 687	5 689	5 667	5 618	5 539	-
50	-	-	6 354	6 380	6 388	6 374	6 333	6 263	-
55	-	-	-	7 158	7 174	7 168	7 137	7 076	-
60	-	-	-	-	8 054	8 057	8 035	7 985	-
65	-	-	-	-	9 036	9 048	9 037	8 998	-

Current consumption in A

30	9.20	8.83	8.51	8.25	8.07	8.00	8.07	8.29	-
35	9.23	8.87	8.56	8.32	8.17	8.13	8.23	8.49	-
40	9.41	9.07	8.78	8.56	8.44	8.43	8.56	8.86	-
45	-	9.47	9.20	9.01	8.91	8.94	9.11	9.45	-
50	-	-	9.86	9.69	9.63	9.69	9.90	10.29	-
55	-	-	-	10.64	10.62	10.72	10.98	11.41	-
60	-	-	-	-	11.91	12.06	12.36	12.85	-
65	-	-	-	-	13.55	13.74	14.10	14.63	-

Mass flow in kg/h

30	178	228	284	348	419	499	587	685	-
35	169	220	278	342	415	495	584	683	-
40	159	211	270	336	409	491	581	681	-
45	-	199	259	327	402	485	576	677	-
50	-	-	245	314	391	476	569	671	-
55	-	-	-	297	375	462	557	662	-
60	-	-	-	-	354	443	540	647	-
65	-	-	-	-	326	417	517	625	-

Coefficient of performance (C.O.P.)

30	2.31	2.98	3.76	4.67	5.73	6.99	8.49	10.29	-
35	1.89	2.48	3.16	3.95	4.87	5.95	7.23	8.75	-
40	1.50	2.02	2.62	3.31	4.10	5.03	6.12	7.40	-
45	-	1.62	2.13	2.73	3.42	4.21	5.13	6.21	-
50	-	-	1.70	2.21	2.80	3.48	4.26	5.17	-
55	-	-	-	1.76	2.26	2.84	3.50	4.26	-
60	-	-	-	-	1.78	2.27	2.83	3.47	-
65	-	-	-	-	1.36	1.77	2.24	2.78	-

Nominal performance at to = 7.2 °C, tc = 54.4 °C

Cooling capacity	22 537	W
Power input	7 057	W
Current consumption	10.67	A
Mass flow	505	kg/h
C.O.P.	3.19	

Pressure switch settings

Maximum HP switch setting	29.5	bar(g)
Minimum LP switch setting	0.5	bar(g)
LP pump down setting	1	bar(g)

Sound power data

Sound power level	74	dB(A)
With acoustic hood	66	dB(A)

to: Evaporating temperature at dew point

tc: Condensing temperature at dew point

Rating conditions : Superheat = 11.1 K , Subcooling = 8.3 K

All performance data +/- 5%

Danfoss can accept no responsibility for possible errors in catalogues, brochures and other printed material. Danfoss reserves the right to alter its products without notice. This also applies to products already on order provided that such alternations can be made without subsequential changes being necessary in specifications already agreed. All trademarks in this material are property of the respective companies. Danfoss and the Danfoss logotype are trademarks of Danfoss A/S. All rights reserved.

Performance data at 60 Hz, EN 12900 rating conditions

R134a

Cond. temp. in °C (tc)	Evaporating temperature in °C (to)							
	-15	-10	-5	0	5	10	15	

Cooling capacity in W

35	7 158	9 100	11 422	14 167	17 378	21 098	25 371	-	-
40	6 761	8 627	10 855	13 488	16 569	20 142	24 250	-	-
45	6 347	8 125	10 248	12 759	15 701	19 115	23 047	-	-
50	5 916	7 597	9 605	11 983	14 774	18 020	21 764	-	-
55	-	7 044	8 927	11 162	13 791	16 857	20 404	-	-
60	-	-	8 215	10 295	12 752	15 628	18 966	-	-
65	-	-	-	9 386	11 660	14 334	17 451	-	-
70	-	-	-	8 435	10 515	12 976	15 861	-	-

Power input in W

35	3 280	3 301	3 314	3 316	3 307	3 284	3 245	-	-
40	3 638	3 663	3 682	3 691	3 690	3 676	3 646	-	-
45	4 037	4 068	4 092	4 109	4 116	4 111	4 093	-	-
50	4 481	4 517	4 549	4 574	4 590	4 595	4 587	-	-
55	-	5 015	5 054	5 088	5 114	5 130	5 134	-	-
60	-	-	5 612	5 655	5 692	5 719	5 736	-	-
65	-	-	-	6 279	6 327	6 366	6 397	-	-
70	-	-	-	6 963	7 022	7 075	7 119	-	-

Current consumption in A

35	6.88	6.92	6.95	6.98	6.98	6.97	6.94	-	-
40	7.18	7.22	7.26	7.29	7.30	7.30	7.28	-	-
45	7.53	7.58	7.62	7.66	7.68	7.69	7.67	-	-
50	7.94	8.00	8.05	8.09	8.12	8.13	8.13	-	-
55	-	8.48	8.54	8.59	8.63	8.65	8.66	-	-
60	-	-	9.10	9.16	9.21	9.25	9.27	-	-
65	-	-	-	9.82	9.87	9.92	9.96	-	-
70	-	-	-	10.56	10.63	10.68	10.73	-	-

Mass flow in kg/h

35	174	216	265	322	387	462	546	-	-
40	172	215	264	322	387	462	546	-	-
45	171	213	263	320	386	460	544	-	-
50	169	211	261	318	383	457	541	-	-
55	-	209	258	315	379	453	536	-	-
60	-	-	254	310	375	447	530	-	-
65	-	-	-	305	368	440	522	-	-
70	-	-	-	299	361	432	512	-	-

Coefficient of performance (C.O.P.)

35	2.18	2.76	3.45	4.27	5.25	6.42	7.82	-	-
40	1.86	2.35	2.95	3.65	4.49	5.48	6.65	-	-
45	1.57	2.00	2.50	3.10	3.81	4.65	5.63	-	-
50	1.32	1.68	2.11	2.62	3.22	3.92	4.74	-	-
55	-	1.40	1.77	2.19	2.70	3.29	3.97	-	-
60	-	-	1.46	1.82	2.24	2.73	3.31	-	-
65	-	-	-	1.49	1.84	2.25	2.73	-	-
70	-	-	-	1.21	1.50	1.83	2.23	-	-

Nominal performance at to = 5 °C, tc = 50 °C

Cooling capacity	14 774	W
Power input	4 590	W
Current consumption	8.12	A
Mass flow	383	kg/h
C.O.P.	3.22	

Pressure switch settings

Maximum HP switch setting	20.5	bar(g)
Minimum LP switch setting	0.5	bar(g)
LP pump down setting	0.5	bar(g)

Sound power data

Sound power level	0	dB(A)
With acoustic hood	0	dB(A)

to: Evaporating temperature at dew point

tc: Condensing temperature at dew point

Rating conditions : Superheat = 10 K , Subcooling = 0 K

All performance data +/- 5%

Danfoss can accept no responsibility for possible errors in catalogues, brochures and other printed material. Danfoss reserves the right to alter its products without notice. This also applies to products already on order provided that such alternations can be made without subsequential changes being necessary in specifications already agreed. All trademarks in this material are property of the respective companies. Danfoss and the Danfoss logotype are trademarks of Danfoss A/S. All rights reserved.

Performance data at 60 Hz, ARI rating conditions

R134a

Cond. temp. in °C (tc)	Evaporating temperature in °C (to)							
	-15	-10	-5	0	5	10	15	

Cooling capacity in W

35	7 753	9 840	12 331	15 270	18 703	22 674	27 229	-	-
40	7 363	9 377	11 777	14 609	17 916	21 745	26 140	-	-
45	6 954	8 884	11 183	13 896	17 068	20 744	24 968	-	-
50	6 530	8 364	10 551	13 134	16 160	19 671	23 714	-	-
55	-	7 819	9 882	12 325	15 192	18 529	22 380	-	-
60	-	-	9 178	11 469	14 168	17 318	20 966	-	-
65	-	-	-	10 569	13 088	16 042	19 475	-	-
70	-	-	-	9 626	11 954	14 700	17 909	-	-

Power input in W

35	3 280	3 301	3 314	3 316	3 307	3 284	3 245	-	-
40	3 638	3 663	3 682	3 691	3 690	3 676	3 646	-	-
45	4 037	4 068	4 092	4 109	4 116	4 111	4 093	-	-
50	4 481	4 517	4 549	4 574	4 590	4 595	4 587	-	-
55	-	5 015	5 054	5 088	5 114	5 130	5 134	-	-
60	-	-	5 612	5 655	5 692	5 719	5 736	-	-
65	-	-	-	6 279	6 327	6 366	6 397	-	-
70	-	-	-	6 963	7 022	7 075	7 119	-	-

Current consumption in A

35	6.88	6.92	6.95	6.98	6.98	6.97	6.94	-	-
40	7.18	7.22	7.26	7.29	7.30	7.30	7.28	-	-
45	7.53	7.58	7.62	7.66	7.68	7.69	7.67	-	-
50	7.94	8.00	8.05	8.09	8.12	8.13	8.13	-	-
55	-	8.48	8.54	8.59	8.63	8.65	8.66	-	-
60	-	-	9.10	9.16	9.21	9.25	9.27	-	-
65	-	-	-	9.82	9.87	9.92	9.96	-	-
70	-	-	-	10.56	10.63	10.68	10.73	-	-

Mass flow in kg/h

35	173	215	264	320	385	459	543	-	-
40	171	214	263	320	385	459	543	-	-
45	170	212	262	318	384	458	541	-	-
50	168	210	260	316	381	455	538	-	-
55	-	208	257	313	377	451	533	-	-
60	-	-	253	309	373	445	527	-	-
65	-	-	-	304	366	438	519	-	-
70	-	-	-	297	359	430	509	-	-

Coefficient of performance (C.O.P.)

35	2.36	2.98	3.72	4.60	5.66	6.90	8.39	-	-
40	2.02	2.56	3.20	3.96	4.86	5.92	7.17	-	-
45	1.72	2.18	2.73	3.38	4.15	5.05	6.10	-	-
50	1.46	1.85	2.32	2.87	3.52	4.28	5.17	-	-
55	-	1.56	1.96	2.42	2.97	3.61	4.36	-	-
60	-	-	1.64	2.03	2.49	3.03	3.66	-	-
65	-	-	-	1.68	2.07	2.52	3.04	-	-
70	-	-	-	1.38	1.70	2.08	2.52	-	-

Nominal performance at to = 7.2 °C, tc = 54.4 °C

Cooling capacity	16 728	W
Power input	5 056	W
Current consumption	8.58	A
Mass flow	409	kg/h
C.O.P.	3.31	

Pressure switch settings

Maximum HP switch setting	20.5	bar(g)
Minimum LP switch setting	0.5	bar(g)
LP pump down setting	0.5	bar(g)

Sound power data

Sound power level	0	dB(A)
With acoustic hood	0	dB(A)

to: Evaporating temperature at dew point

tc: Condensing temperature at dew point

Rating conditions : Superheat = 11.1 K , Subcooling = 8.3 K

All performance data +/- 5%

Danfoss can accept no responsibility for possible errors in catalogues, brochures and other printed material. Danfoss reserves the right to alter its products without notice. This also applies to products already on order provided that such alternations can be made without subsequential changes being necessary in specifications already agreed. All trademarks in this material are property of the respective companies. Danfoss and the Danfoss logotype are trademarks of Danfoss A/S. All rights reserved.

Performance data at 60 Hz, EN 12900 rating conditions

R134a

Cond. temp. in °C (tc)	Evaporating temperature in °C (to)							
	-15	-10	-5	0	5	10	15	

Cooling capacity in W

35	7 158	9 100	11 422	14 167	17 378	21 098	25 371	-	-
40	6 761	8 627	10 855	13 488	16 569	20 142	24 250	-	-
45	6 347	8 125	10 248	12 759	15 701	19 115	23 047	-	-
50	5 916	7 597	9 605	11 983	14 774	18 020	21 764	-	-
55	-	7 044	8 927	11 162	13 791	16 857	20 404	-	-
60	-	-	8 215	10 295	12 752	15 628	18 966	-	-
65	-	-	-	9 386	11 660	14 334	17 451	-	-
70	-	-	-	8 435	10 515	12 976	15 861	-	-

Power input in W

35	3 280	3 301	3 314	3 316	3 307	3 284	3 245	-	-
40	3 638	3 663	3 682	3 691	3 690	3 676	3 646	-	-
45	4 037	4 068	4 092	4 109	4 116	4 111	4 093	-	-
50	4 481	4 517	4 549	4 574	4 590	4 595	4 587	-	-
55	-	5 015	5 054	5 088	5 114	5 130	5 134	-	-
60	-	-	5 612	5 655	5 692	5 719	5 736	-	-
65	-	-	-	6 279	6 327	6 366	6 397	-	-
70	-	-	-	6 963	7 022	7 075	7 119	-	-

Current consumption in A

35	6.88	6.92	6.95	6.98	6.98	6.97	6.94	-	-
40	7.18	7.22	7.26	7.29	7.30	7.30	7.28	-	-
45	7.53	7.58	7.62	7.66	7.68	7.69	7.67	-	-
50	7.94	8.00	8.05	8.09	8.12	8.13	8.13	-	-
55	-	8.48	8.54	8.59	8.63	8.65	8.66	-	-
60	-	-	9.10	9.16	9.21	9.25	9.27	-	-
65	-	-	-	9.82	9.87	9.92	9.96	-	-
70	-	-	-	10.56	10.63	10.68	10.73	-	-

Mass flow in kg/h

35	174	216	265	322	387	462	546	-	-
40	172	215	264	322	387	462	546	-	-
45	171	213	263	320	386	460	544	-	-
50	169	211	261	318	383	457	541	-	-
55	-	209	258	315	379	453	536	-	-
60	-	-	254	310	375	447	530	-	-
65	-	-	-	305	368	440	522	-	-
70	-	-	-	299	361	432	512	-	-

Coefficient of performance (C.O.P.)

35	2.18	2.76	3.45	4.27	5.25	6.42	7.82	-	-
40	1.86	2.35	2.95	3.65	4.49	5.48	6.65	-	-
45	1.57	2.00	2.50	3.10	3.81	4.65	5.63	-	-
50	1.32	1.68	2.11	2.62	3.22	3.92	4.74	-	-
55	-	1.40	1.77	2.19	2.70	3.29	3.97	-	-
60	-	-	1.46	1.82	2.24	2.73	3.31	-	-
65	-	-	-	1.49	1.84	2.25	2.73	-	-
70	-	-	-	1.21	1.50	1.83	2.23	-	-

Nominal performance at to = 5 °C, tc = 50 °C

Cooling capacity	14 774	W
Power input	4 590	W
Current consumption	8.12	A
Mass flow	383	kg/h
C.O.P.	3.22	

Pressure switch settings

Maximum HP switch setting	20.5	bar(g)
Minimum LP switch setting	0.5	bar(g)
LP pump down setting	0.5	bar(g)

Sound power data

Sound power level	0	dB(A)
With acoustic hood	0	dB(A)

to: Evaporating temperature at dew point

tc: Condensing temperature at dew point

Rating conditions : Superheat = 10 K , Subcooling = 0 K

All performance data +/- 5%

Danfoss can accept no responsibility for possible errors in catalogues, brochures and other printed material. Danfoss reserves the right to alter its products without notice. This also applies to products already on order provided that such alternations can be made without subsequential changes being necessary in specifications already agreed. All trademarks in this material are property of the respective companies. Danfoss and the Danfoss logotype are trademarks of Danfoss A/S. All rights reserved.

Performance data at 60 Hz, ARI rating conditions

R134a

Cond. temp. in °C (tc)	Evaporating temperature in °C (to)							
	-15	-10	-5	0	5	10	15	

Cooling capacity in W

35	7 753	9 840	12 331	15 270	18 703	22 674	27 229	-	-
40	7 363	9 377	11 777	14 609	17 916	21 745	26 140	-	-
45	6 954	8 884	11 183	13 896	17 068	20 744	24 968	-	-
50	6 530	8 364	10 551	13 134	16 160	19 671	23 714	-	-
55	-	7 819	9 882	12 325	15 192	18 529	22 380	-	-
60	-	-	9 178	11 469	14 168	17 318	20 966	-	-
65	-	-	-	10 569	13 088	16 042	19 475	-	-
70	-	-	-	9 626	11 954	14 700	17 909	-	-

Power input in W

35	3 280	3 301	3 314	3 316	3 307	3 284	3 245	-	-
40	3 638	3 663	3 682	3 691	3 690	3 676	3 646	-	-
45	4 037	4 068	4 092	4 109	4 116	4 111	4 093	-	-
50	4 481	4 517	4 549	4 574	4 590	4 595	4 587	-	-
55	-	5 015	5 054	5 088	5 114	5 130	5 134	-	-
60	-	-	5 612	5 655	5 692	5 719	5 736	-	-
65	-	-	-	6 279	6 327	6 366	6 397	-	-
70	-	-	-	6 963	7 022	7 075	7 119	-	-

Current consumption in A

35	6.88	6.92	6.95	6.98	6.98	6.97	6.94	-	-
40	7.18	7.22	7.26	7.29	7.30	7.30	7.28	-	-
45	7.53	7.58	7.62	7.66	7.68	7.69	7.67	-	-
50	7.94	8.00	8.05	8.09	8.12	8.13	8.13	-	-
55	-	8.48	8.54	8.59	8.63	8.65	8.66	-	-
60	-	-	9.10	9.16	9.21	9.25	9.27	-	-
65	-	-	-	9.82	9.87	9.92	9.96	-	-
70	-	-	-	10.56	10.63	10.68	10.73	-	-

Mass flow in kg/h

35	173	215	264	320	385	459	543	-	-
40	171	214	263	320	385	459	543	-	-
45	170	212	262	318	384	458	541	-	-
50	168	210	260	316	381	455	538	-	-
55	-	208	257	313	377	451	533	-	-
60	-	-	253	309	373	445	527	-	-
65	-	-	-	304	366	438	519	-	-
70	-	-	-	297	359	430	509	-	-

Coefficient of performance (C.O.P.)

35	2.36	2.98	3.72	4.60	5.66	6.90	8.39	-	-
40	2.02	2.56	3.20	3.96	4.86	5.92	7.17	-	-
45	1.72	2.18	2.73	3.38	4.15	5.05	6.10	-	-
50	1.46	1.85	2.32	2.87	3.52	4.28	5.17	-	-
55	-	1.56	1.96	2.42	2.97	3.61	4.36	-	-
60	-	-	1.64	2.03	2.49	3.03	3.66	-	-
65	-	-	-	1.68	2.07	2.52	3.04	-	-
70	-	-	-	1.38	1.70	2.08	2.52	-	-

Nominal performance at to = 7.2 °C, tc = 54.4 °C

Cooling capacity	16 728	W
Power input	5 056	W
Current consumption	8.58	A
Mass flow	409	kg/h
C.O.P.	3.31	

Pressure switch settings

Maximum HP switch setting	20.5	bar(g)
Minimum LP switch setting	0.5	bar(g)
LP pump down setting	0.5	bar(g)

Sound power data

Sound power level	0	dB(A)
With acoustic hood	0	dB(A)

to: Evaporating temperature at dew point

tc: Condensing temperature at dew point

Rating conditions : Superheat = 11.1 K , Subcooling = 8.3 K

All performance data +/- 5%

Danfoss can accept no responsibility for possible errors in catalogues, brochures and other printed material. Danfoss reserves the right to alter its products without notice. This also applies to products already on order provided that such alternations can be made without subsequential changes being necessary in specifications already agreed. All trademarks in this material are property of the respective companies. Danfoss and the Danfoss logotype are trademarks of Danfoss A/S. All rights reserved.

Performance data at 60 Hz, EN 12900 rating conditions
R407C

Cond. temp. in °C (tc)	Evaporating temperature in °C (to)							
	-20	-15	-10	-5	0	5	10	15

Cooling capacity in W

30	8 599	11 194	14 212	17 692	21 669	26 180	31 263	36 953	-
35	7 798	10 338	13 285	16 676	20 547	24 935	29 876	35 407	-
40	6 922	9 396	12 259	15 549	19 302	23 554	28 341	33 702	-
45	-	8 356	11 124	14 301	17 923	22 026	26 648	31 824	-
50	-	-	9 871	12 922	16 401	20 343	24 786	29 764	-
55	-	-	-	11 404	14 726	18 494	22 743	27 511	-
60	-	-	-	-	12 891	16 470	20 512	25 053	-
65	-	-	-	-	10 890	14 263	18 081	22 378	-

Power input in W

30	3 986	4 023	4 047	4 053	4 038	3 997	3 927	3 823	-
35	4 454	4 494	4 521	4 532	4 521	4 486	4 423	4 326	-
40	4 985	5 028	5 059	5 074	5 069	5 040	4 984	4 896	-
45	-	5 632	5 667	5 687	5 689	5 667	5 618	5 539	-
50	-	-	6 354	6 380	6 388	6 374	6 333	6 263	-
55	-	-	-	7 158	7 174	7 168	7 137	7 076	-
60	-	-	-	-	8 054	8 057	8 035	7 985	-
65	-	-	-	-	9 036	9 048	9 037	8 998	-

Current consumption in A

30	9.20	8.83	8.51	8.25	8.07	8.00	8.07	8.29	-
35	9.23	8.87	8.56	8.32	8.17	8.13	8.23	8.49	-
40	9.41	9.07	8.78	8.56	8.44	8.43	8.56	8.86	-
45	-	9.47	9.20	9.01	8.91	8.94	9.11	9.45	-
50	-	-	9.86	9.69	9.63	9.69	9.90	10.29	-
55	-	-	-	10.64	10.62	10.72	10.98	11.41	-
60	-	-	-	-	11.91	12.06	12.36	12.85	-
65	-	-	-	-	13.55	13.74	14.10	14.63	-

Mass flow in kg/h

30	179	229	286	350	422	502	591	689	-
35	170	221	279	344	417	498	588	687	-
40	160	212	271	337	411	494	585	685	-
45	-	200	261	329	404	487	580	682	-
50	-	-	247	316	393	478	572	676	-
55	-	-	-	299	378	465	561	666	-
60	-	-	-	-	356	446	543	651	-
65	-	-	-	-	328	419	520	629	-

Coefficient of performance (C.O.P.)

30	2.16	2.78	3.51	4.37	5.37	6.55	7.96	9.67	-
35	1.75	2.30	2.94	3.68	4.54	5.56	6.76	8.18	-
40	1.39	1.87	2.42	3.06	3.81	4.67	5.69	6.88	-
45	-	1.48	1.96	2.51	3.15	3.89	4.74	5.75	-
50	-	-	1.55	2.03	2.57	3.19	3.91	4.75	-
55	-	-	-	1.59	2.05	2.58	3.19	3.89	-
60	-	-	-	-	1.60	2.04	2.55	3.14	-
65	-	-	-	-	1.21	1.58	2.00	2.49	-

Nominal performance at to = 5 °C, tc = 50 °C

Cooling capacity	20 343	W
Power input	6 374	W
Current consumption	9.69	A
Mass flow	478	kg/h
C.O.P.	3.19	

Pressure switch settings

Maximum HP switch setting	29.5	bar(g)
Minimum LP switch setting	0.5	bar(g)
LP pump down setting	1	bar(g)

Sound power data

Sound power level	74	dB(A)
With acoustic hood	66	dB(A)

to: Evaporating temperature at dew point

tc: Condensing temperature at dew point

Rating conditions : Superheat = 10 K , Subcooling = 0 K

All performance data +/- 5%

Danfoss can accept no responsibility for possible errors in catalogues, brochures and other printed material. Danfoss reserves the right to alter its products without notice. This also applies to products already on order provided that such alternations can be made without subsequential changes being necessary in specifications already agreed. All trademarks in this material are property of the respective companies. Danfoss and the Danfoss logotype are trademarks of Danfoss A/S. All rights reserved.

Performance data at 60 Hz, ARI rating conditions

R407C

Cond. temp. in °C (tc)	Evaporating temperature in °C (to)							
	-20	-15	-10	-5	0	5	10	15

Cooling capacity in W

30	9 223	11 992	15 209	18 912	23 139	27 929	33 319	39 348	-
35	8 404	11 128	14 282	17 906	22 037	26 714	31 975	37 857	-
40	7 502	10 168	13 249	16 782	20 806	25 359	30 479	36 204	-
45	-	9 101	12 097	15 528	19 434	23 851	28 818	34 374	-
50	-	-	10 813	14 131	17 906	22 177	26 981	32 356	-
55	-	-	-	12 578	16 212	20 325	24 953	30 137	-
60	-	-	-	-	14 338	18 281	22 724	27 704	-
65	-	-	-	-	12 272	16 034	20 279	25 045	-

Power input in W

30	3 986	4 023	4 047	4 053	4 038	3 997	3 927	3 823	-
35	4 454	4 494	4 521	4 532	4 521	4 486	4 423	4 326	-
40	4 985	5 028	5 059	5 074	5 069	5 040	4 984	4 896	-
45	-	5 632	5 667	5 687	5 689	5 667	5 618	5 539	-
50	-	-	6 354	6 380	6 388	6 374	6 333	6 263	-
55	-	-	-	7 158	7 174	7 168	7 137	7 076	-
60	-	-	-	-	8 054	8 057	8 035	7 985	-
65	-	-	-	-	9 036	9 048	9 037	8 998	-

Current consumption in A

30	9.20	8.83	8.51	8.25	8.07	8.00	8.07	8.29	-
35	9.23	8.87	8.56	8.32	8.17	8.13	8.23	8.49	-
40	9.41	9.07	8.78	8.56	8.44	8.43	8.56	8.86	-
45	-	9.47	9.20	9.01	8.91	8.94	9.11	9.45	-
50	-	-	9.86	9.69	9.63	9.69	9.90	10.29	-
55	-	-	-	10.64	10.62	10.72	10.98	11.41	-
60	-	-	-	-	11.91	12.06	12.36	12.85	-
65	-	-	-	-	13.55	13.74	14.10	14.63	-

Mass flow in kg/h

30	178	228	284	348	419	499	587	685	-
35	169	220	278	342	415	495	584	683	-
40	159	211	270	336	409	491	581	681	-
45	-	199	259	327	402	485	576	677	-
50	-	-	245	314	391	476	569	671	-
55	-	-	-	297	375	462	557	662	-
60	-	-	-	-	354	443	540	647	-
65	-	-	-	-	326	417	517	625	-

Coefficient of performance (C.O.P.)

30	2.31	2.98	3.76	4.67	5.73	6.99	8.49	10.29	-
35	1.89	2.48	3.16	3.95	4.87	5.95	7.23	8.75	-
40	1.50	2.02	2.62	3.31	4.10	5.03	6.12	7.40	-
45	-	1.62	2.13	2.73	3.42	4.21	5.13	6.21	-
50	-	-	1.70	2.21	2.80	3.48	4.26	5.17	-
55	-	-	-	1.76	2.26	2.84	3.50	4.26	-
60	-	-	-	-	1.78	2.27	2.83	3.47	-
65	-	-	-	-	1.36	1.77	2.24	2.78	-

Nominal performance at to = 7.2 °C, tc = 54.4 °C

Cooling capacity	22 537	W
Power input	7 057	W
Current consumption	10.67	A
Mass flow	505	kg/h
C.O.P.	3.19	

Pressure switch settings

Maximum HP switch setting	29.5	bar(g)
Minimum LP switch setting	0.5	bar(g)
LP pump down setting	1	bar(g)

Sound power data

Sound power level	74	dB(A)
With acoustic hood	66	dB(A)

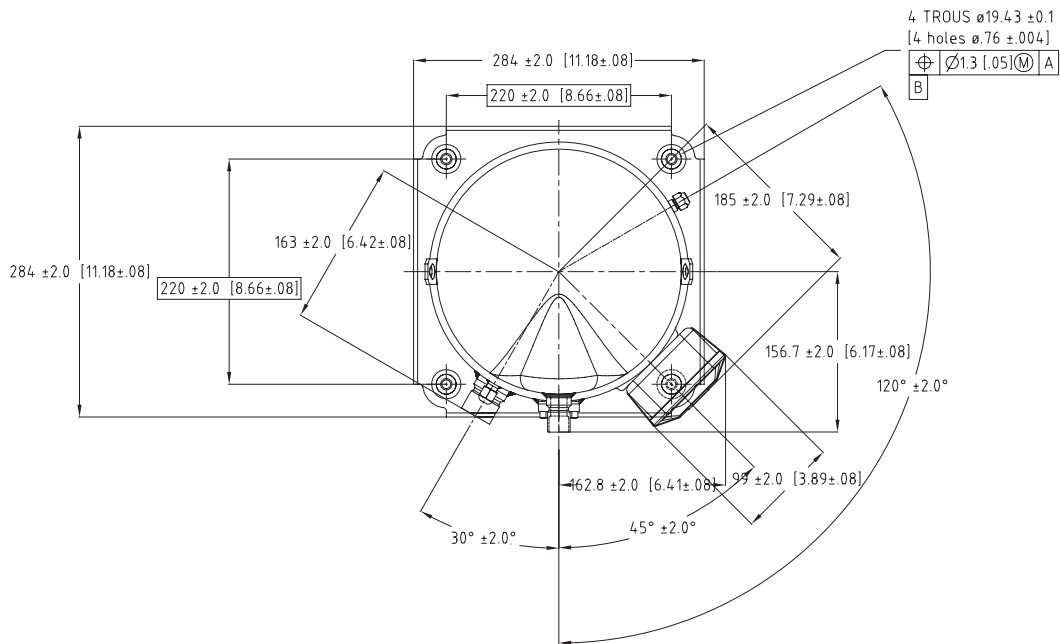
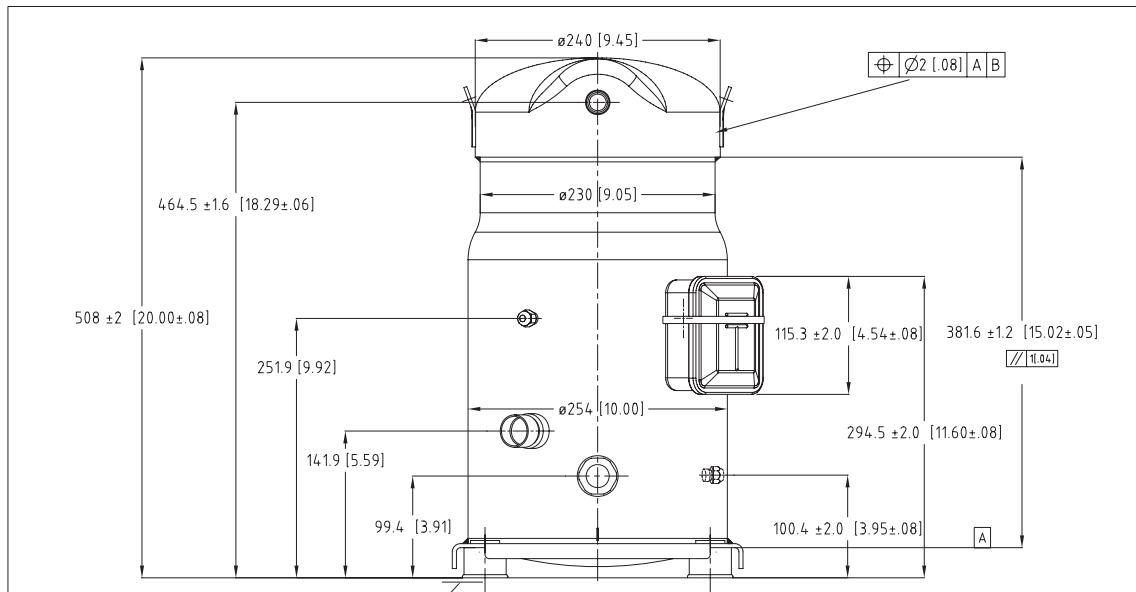
to: Evaporating temperature at dew point

tc: Condensing temperature at dew point

Rating conditions : Superheat = 11.1 K , Subcooling = 8.3 K

All performance data +/- 5%

Danfoss can accept no responsibility for possible errors in catalogues, brochures and other printed material. Danfoss reserves the right to alter its products without notice. This also applies to products already on order provided that such alternations can be made without subsequential changes being necessary in specifications already agreed. All trademarks in this material are property of the respective companies. Danfoss and the Danfoss logotype are trademarks of Danfoss A/S. All rights reserved.



B	PEP	13/06/00	MAP	DM 980927
A	PEP	22/09/99	SOP	CREATION DM990234
IND	RT	PAR	DATE	APPROBATIONS
				OBSERVATIONS
MATERIE:				
Ech.: 1/4	Tol.gén.: ±0.8 [± .03] ± 2°			
ENCOMBREMENT S084/090/100 - V				Danfoss Maneurop S.A. Z.I. de REYRIEUX - B.P. 331F 01603 TREVOUX - FRANCE
S084/090/100 - V OUTLINE				
Ce plan est la propriété de Maneurop SA Toute copie ou communication à des tiers est interdite sans autorisation				85 52 036