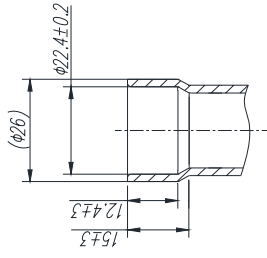
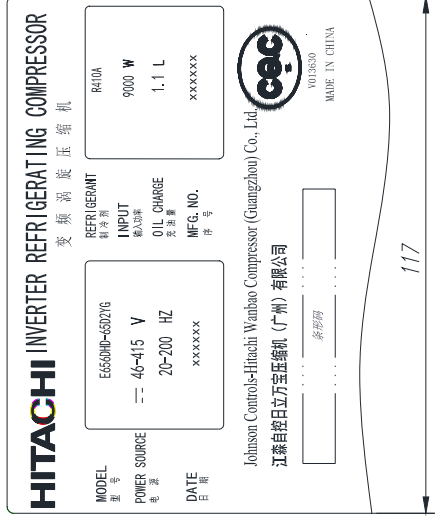
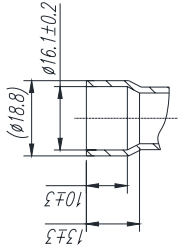


## 压缩机外形图 Dimension of Compressor (E656DHD-65D2YG)

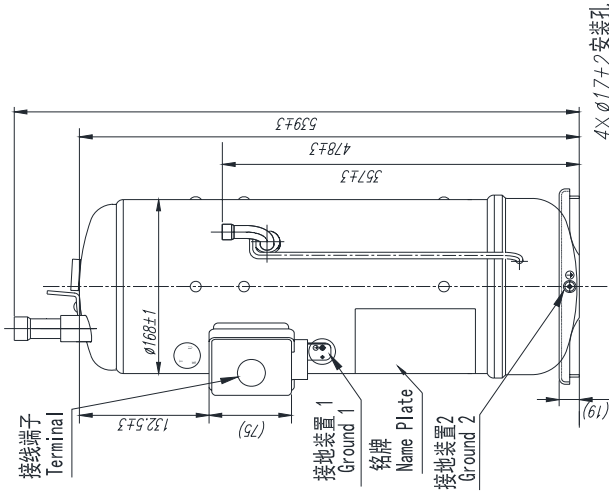
### 铭牌 Name Plate



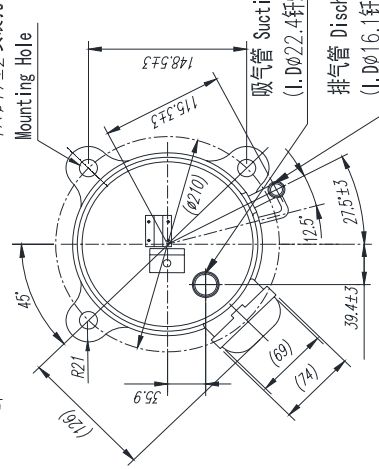
吸气管放大图  
Suction Tube



排气管放大图  
Discharge Tube



4x  $\phi 17 \pm 2$  安装孔  
Mounting Hole



接线端子螺钉 Terminal Screw  
紧固扭矩 Tightening Torque 2.5~3.0 N·m

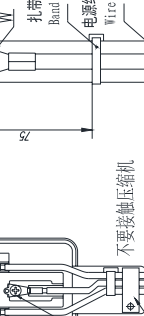
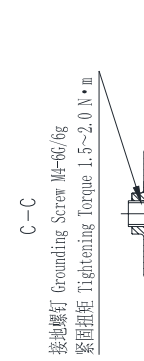
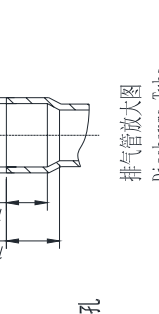
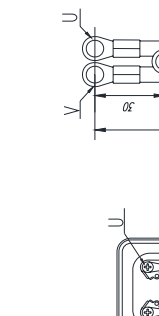
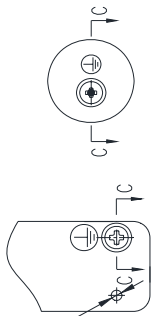
吸气管 Suction Accept  
(1.  $\phi 22.4$  钎焊连接 Welded Connection)

排气管 Discharge Accept  
(1.  $\phi 16.1$  钎焊连接 Welded Connection)

接地装置 1 Ground 1

接线端子 Terminal

接地装置 2 Ground 2



接地螺钉 Grounding Screw M4-6G/6g  
紧固扭矩 Tightening Torque 1.5~2.0 N·m

锯齿垫圈 Sawtooth Washer  
橡胶垫圈 Rubber Washer  $\phi 10 \times 1.0$

注意: 必须使用线卡固定引出线, 避免划伤  
Note: Fixed the wires by clamp avoiding hurt on the surface.

备注: 接地孔及其附近无油漆, 接地装置处橡胶垫在使用时必须拆除。  
Remark: There should be no paint around grounding hole and its nearby. While be application, the rubber washer must be dismantled.

DWN.	Rui jia_C	161213	Johnson Controls-Hitachi	TITLE:	NO.:
CHKD.	Zhibao_W	161213	Wanbao Compressor	Dimension of Compressor	SH-E16
APPD.			(Guang Zhou) Co., Ltd.		