

CHANGE

① (F-2)  
 "—" TYPE WAS  
 ADDED.  
 14-02-01  
 W.CHOMPOONOOT  
 S.DUMRONGSAK  
 (NO. NCQ1400022) ①

**SPECIAL NOTE**

THE PART SHOULD NOT CONTAIN PROHIBITED SUBSTANCES  
 AND DETAIL SHOULD COMPLY WITH SCI-RoHS & REACH(SVHC)  
 SUBSTANCE LIST. (STD100001)

\*1 (C-4), \*2 (C-4) PART  
 OF UNIT CONNECTION PIPES WERE  
 INSERTED UNTIL THE INSERT  
 DEPTH OF COMPRESSOR PIPES.

A

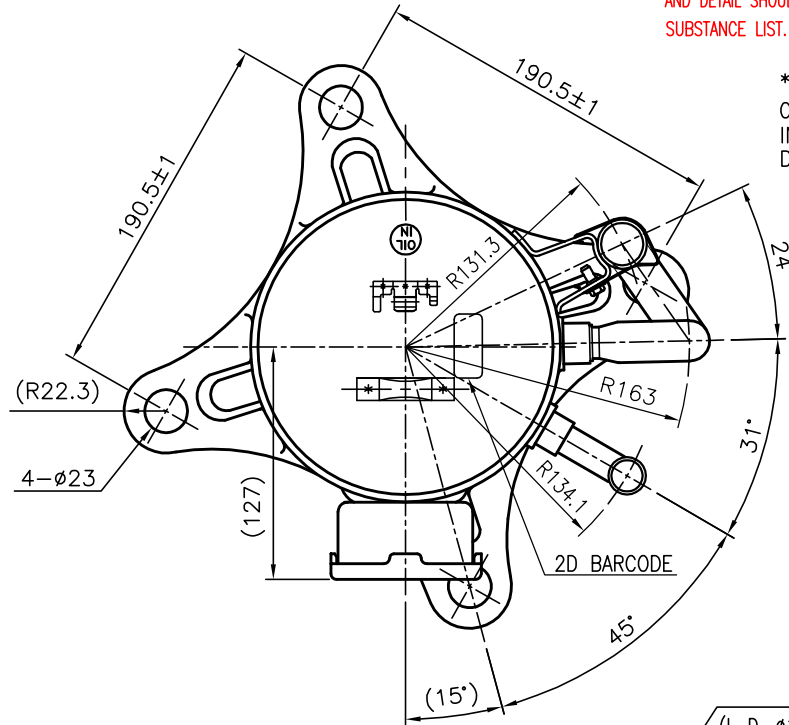
B

C

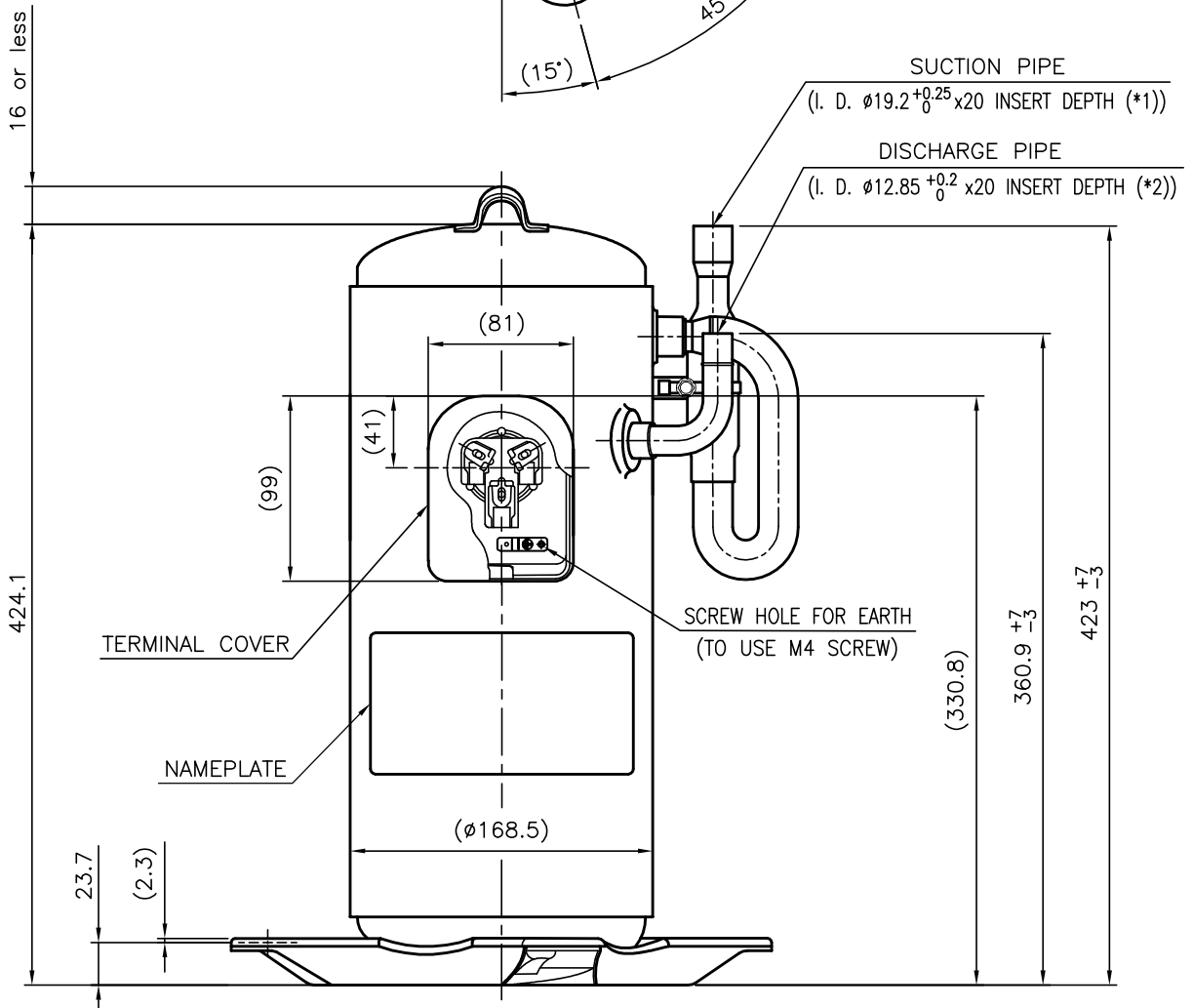
D

E

F



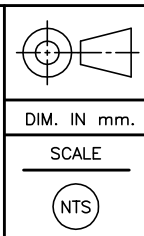
**CONTROLLED COPY**  
 Issued Date  
 05 MAR 2014  
**TECHNICAL DIVISION**  
**SCI**



ANB, ANE SERIES "KF", "BZ", "KC", "KH", "KJ", "—" TYPE

USE FOR MODEL

<input type="checkbox"/>	S
<input type="checkbox"/>	R
<input type="checkbox"/>	T
<input type="checkbox"/>	P
<input type="checkbox"/>	N
<input checked="" type="checkbox"/>	A
<input type="checkbox"/>	B



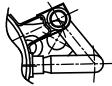
 <b>SIAM COMPRESSOR INDUSTRY</b>  <b>MITSUBISHI ELECTRIC GROUP</b>		DATE		04-04-20	APPROVED
		SCALE		DRAWN	S.PIMITCHA, K.NATHANICHA
CHECKED		C.SUWAT			
DESIGNED		W.CHOMPOONOOT			

TITLE		<b>COMPR. OUTLINE DWG.</b>	
DWG. No.		<b>SC01D867</b>	
		1/2	

CHANGE

A

**A1** (A-3)  
DRAWING WAS  
AS BELOW.



**A2** (A-2)  
OIL IN WAS ADDED.

**A3** (B-2)  
2D BARCODE  
WAS ADDED.

**A4** (E-3)  
NAMEPLATE  
WAS ADDED.

**A5** (E-3)  
WARNING LABEL  
WAS ADDED.  
09-07-15  
C.PEERAYOOT  
I.KORAKOT

B

**B1** (A-1)  
FORM WAS CHANGE.

**B2** (A-3)  
SPECIAL NOTE  
WAS CHANGE.  
10-09-29  
M.SUPRANEE  
S.DUMRONGSAK

C

**C1** (C-2)  
MODEL NAME  
WAS ADDED.

**C2** (C-2)  
MANUFACTURE DATE  
WAS ADDED.

**C3** (E-3)  
NAMEPLATE  
WAS CHANGE.

**C4** (B-3)  
WARNING LABEL  
WAS CANCELLED.

**C5** (B-1)  
C5 WAS R22.3.

**C6** (B-2)  
C6 WAS 127.

**C7** (D-2)  
C7 WAS 41.

**C8** (D-2)  
C8 WAS 99.

**C9** (D-3)  
C9 WAS 330.8.

**C10** (D-2)  
C10 WAS 81.

D

**C11** (E-2)  
C11 WAS  $\varnothing$ 168.5.

**C12** (E-2)  
C12 WAS 2.3.

11-07-26  
S.BUNCHA  
S.DUMRONGSAK

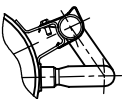
**D1** (D-2)  
MODEL NAME AND  
MANUFACTURE DATE  
WERE CANCELLED.  
12-06-28  
I.AMPOL  
S.DUMRONGSAK  
(NO. NCQ12I0141)

E

**E1** (D-4)  
E1 WAS 360.9.

**E2** (D-4)  
E2 WAS 423.  
12-10-25  
I.AMPOL  
S.DUMRONGSAK  
(NO. NCQ12I0218)

**F1** (B-3)  
DRAWING WAS  
AS BELOW.



**F2** (F-1)  
ANE SERIES  
WAS ADDED.

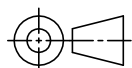
**F3** (F-2)  
"KG", "KH", "KJ"  
TYPE WERE ADDED.  
13-08-25  
I.AMPOL  
S.DUMRONGSAK  
(NO. NCQ1300010)

F

**CONTROLLED COPY**  
 Issued Date  
 05 MAR 2014  
**TECHNICAL DIVISION**  
 SCI

USE FOR MODEL

- S
- R
- T
- P
- N
- A
- B



DIM. IN mm.

SCALE

NTS



**SIAM COMPRESSOR INDUSTRY**

**MITSUBISHI ELECTRIC GROUP**

DATE 04-04-20

DRAWN S.PIMTICHA, K.NATHANICHA

CHECKED C.SUWAT

DESIGNED W.CHOMPOONOOT

APPROVED

S.DUMRONGSAK

TITLE

**COMPR. OUTLINE DWG.**

DWG. No.

**SC01D867**

2/2