

A

A

B

B

C

C

D

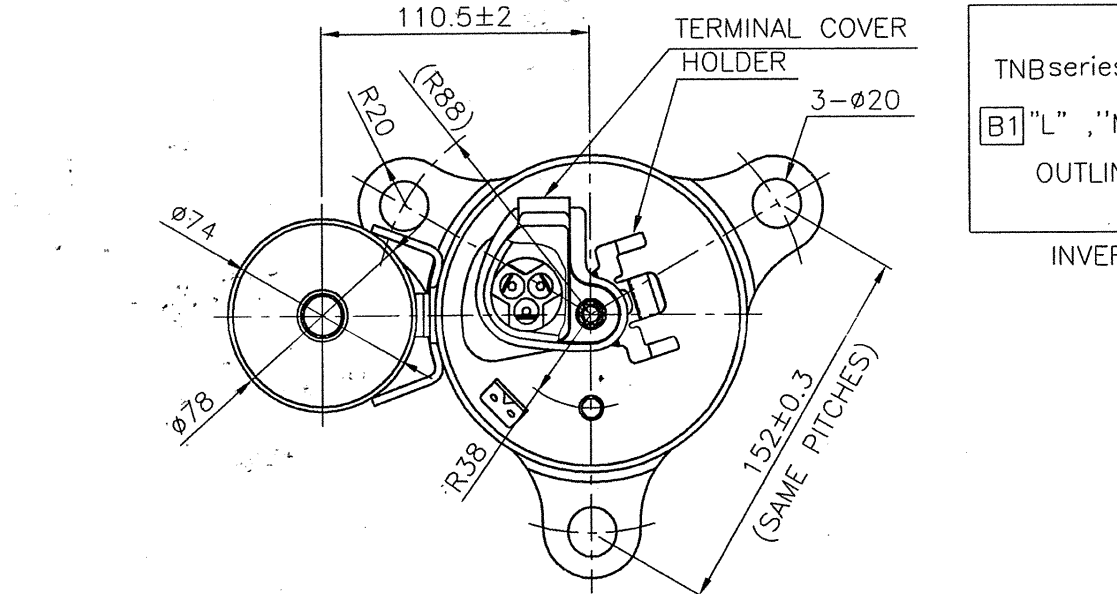
D

E

E

F

F

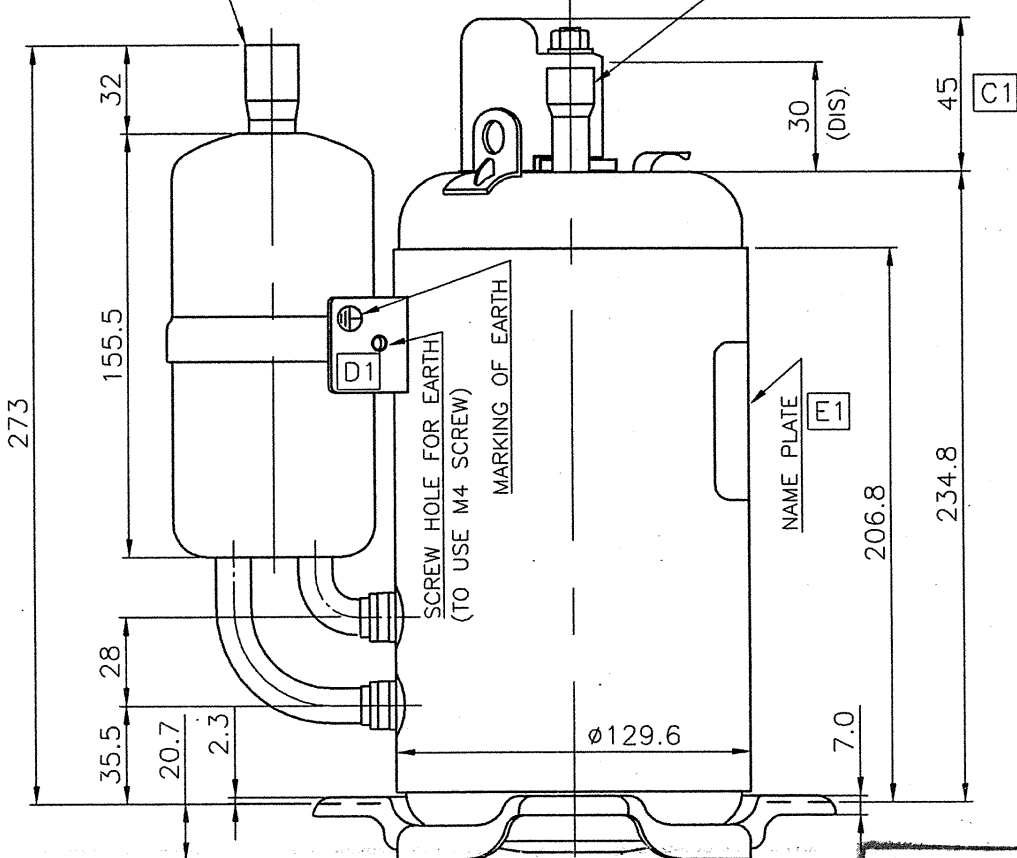


TNBseries COMPR.
 B1 "L" ,"M" TYPE
 OUTLINE DWG.

INVERTER

SUCTION PIPE (I.D.∅16^{+0.2})

DISCHARGE PIPE (I.D.∅9.52^{+0.2})



SPECIAL NOTE
 THE PART SHOULD NOT CONTAIN PROHIBITED SUBSTANCE
 (Pb,Cd,Hg,Cr+6,PBB,PBDE) AND DETAIL SHOULD COMPLY WITH
 MITSUBISHI ELECTRIC CHEMICAL SUBSTANCE CONTROL LIST

CONTROLLED COPY
 Issued Date
 12 NOV 2006
 TECHNICAL DIVISION
 SCI

CHANGE

03-07-15	"LA" AND "LB" TYPE WERE ADDED.
04-01-06	MYOGAHARA SHIRAFUJI
04-10-04	KAJIMWARA SHIRAFUJI
06-07-08	02ANUPHA SUDUMRONGSAK
06-11-12	DANUCHA

SIAM COMPRESSOR INDUSTRY CO.,LTD.

DIM. IN mm. DATE 01-10-03 APPROVED

SCALE DRAWN T.SUTIDA

CHECKED DESIGNED

TITLE	COMPR. OUTLINE DWG.
DWG. No.	CS01F406