

CHANGE

**SPECIAL NOTE**

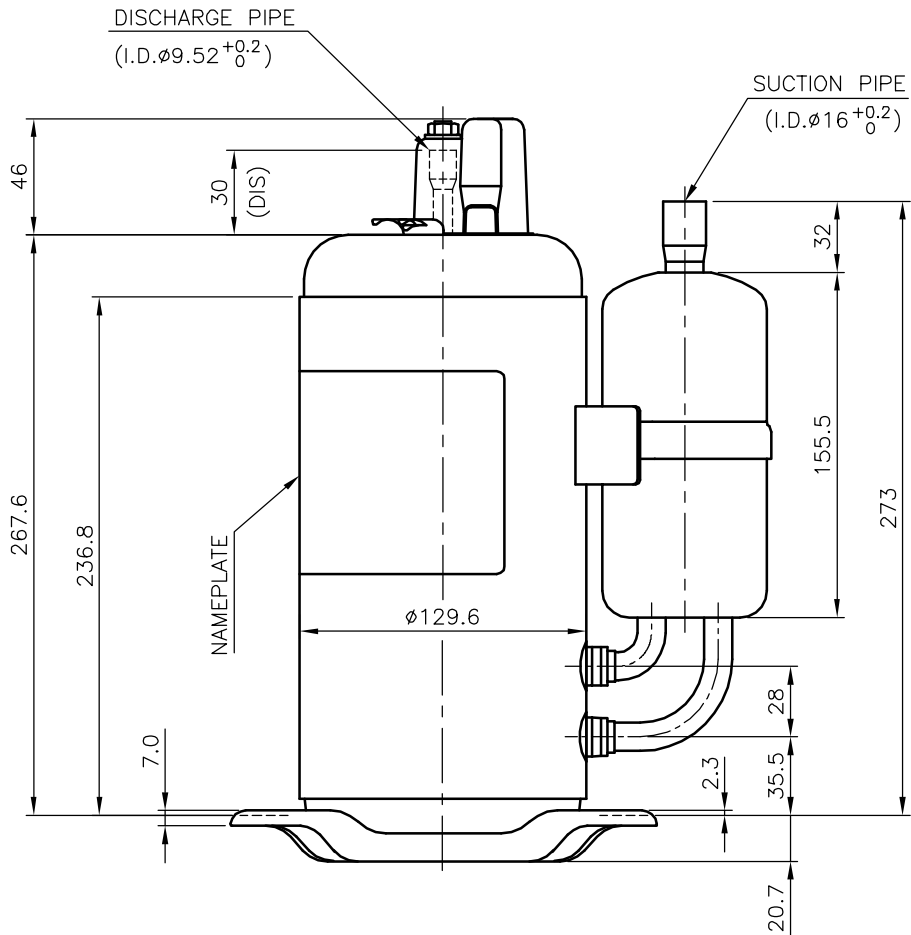
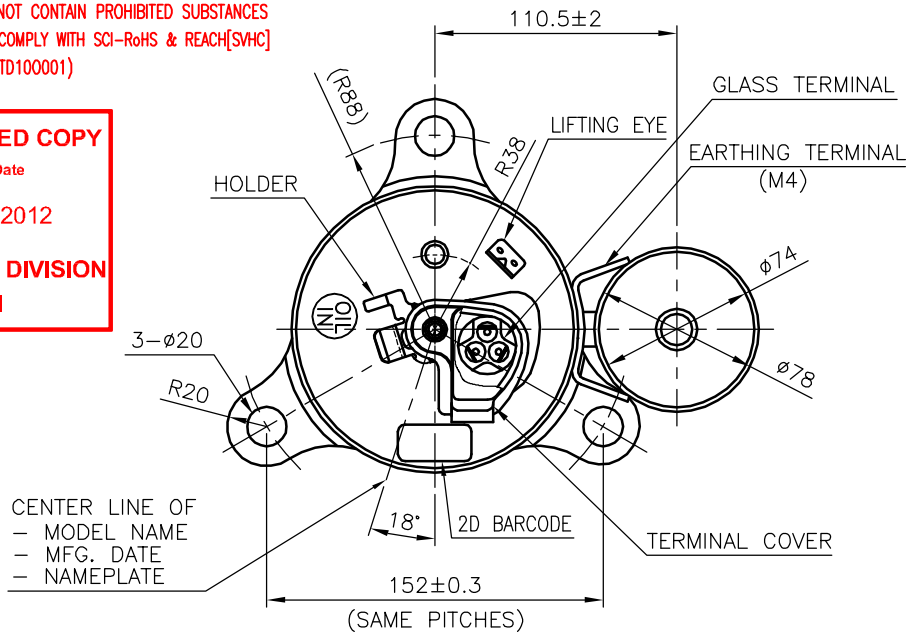
THE PART SHOULD NOT CONTAIN PROHIBITED SUBSTANCES  
AND DETAIL SHOULD COMPLY WITH SCI-RoHS & REACH(SVHC)  
SUBSTANCE LIST. (STD100001)

**CONTROLLED COPY**

Issued Date

23 FEB 2012

**TECHNICAL DIVISION  
SCI**

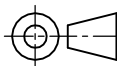


| UNSPECIFIED TOLERANCE |       |
|-----------------------|-------|
| SIZE                  | ±3 mm |
| ANGLE                 | ±3'   |

TNB SERIES "PG", "PN" TYPE

USE FOR MODEL

- S
- R
- T
- P
- N
- A
- B



**SIAM COMPRESSOR INDUSTRY**  
**MITSUBISHI ELECTRIC GROUP**

DIM. IN mm.

DATE

11-11-15

APPROVED

SCALE

DRAWN

M.KITTISAK, K.NATHANICHA

S.DUMRONGSAK

CHECKED

S.SUPOT

DESIGNED

A.JIRADET



REFERENCE : CS01F912

TITLE

**COMPR. OUTLINE DWG.**

DWG. No.

**SC01F164**

1/1