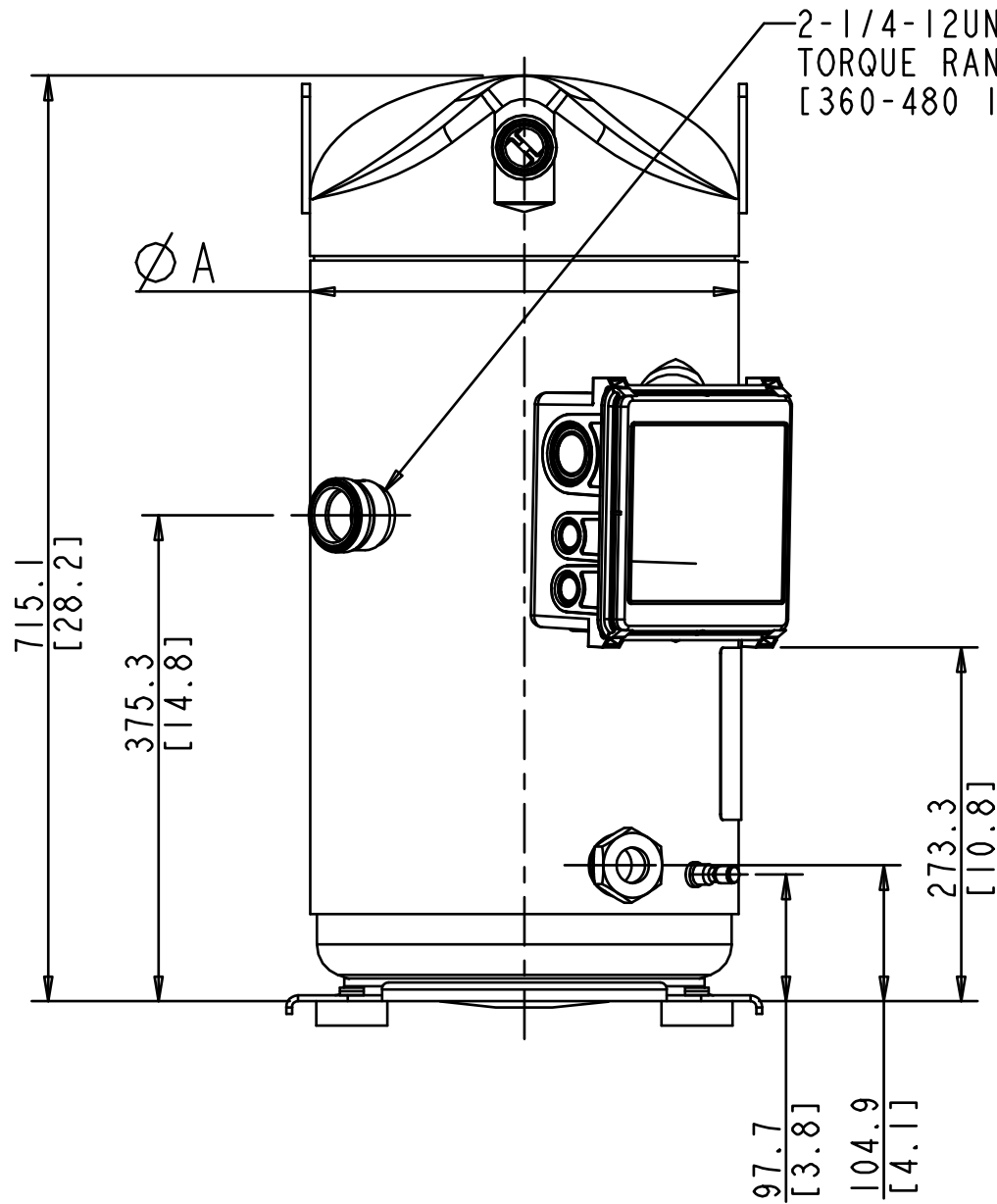
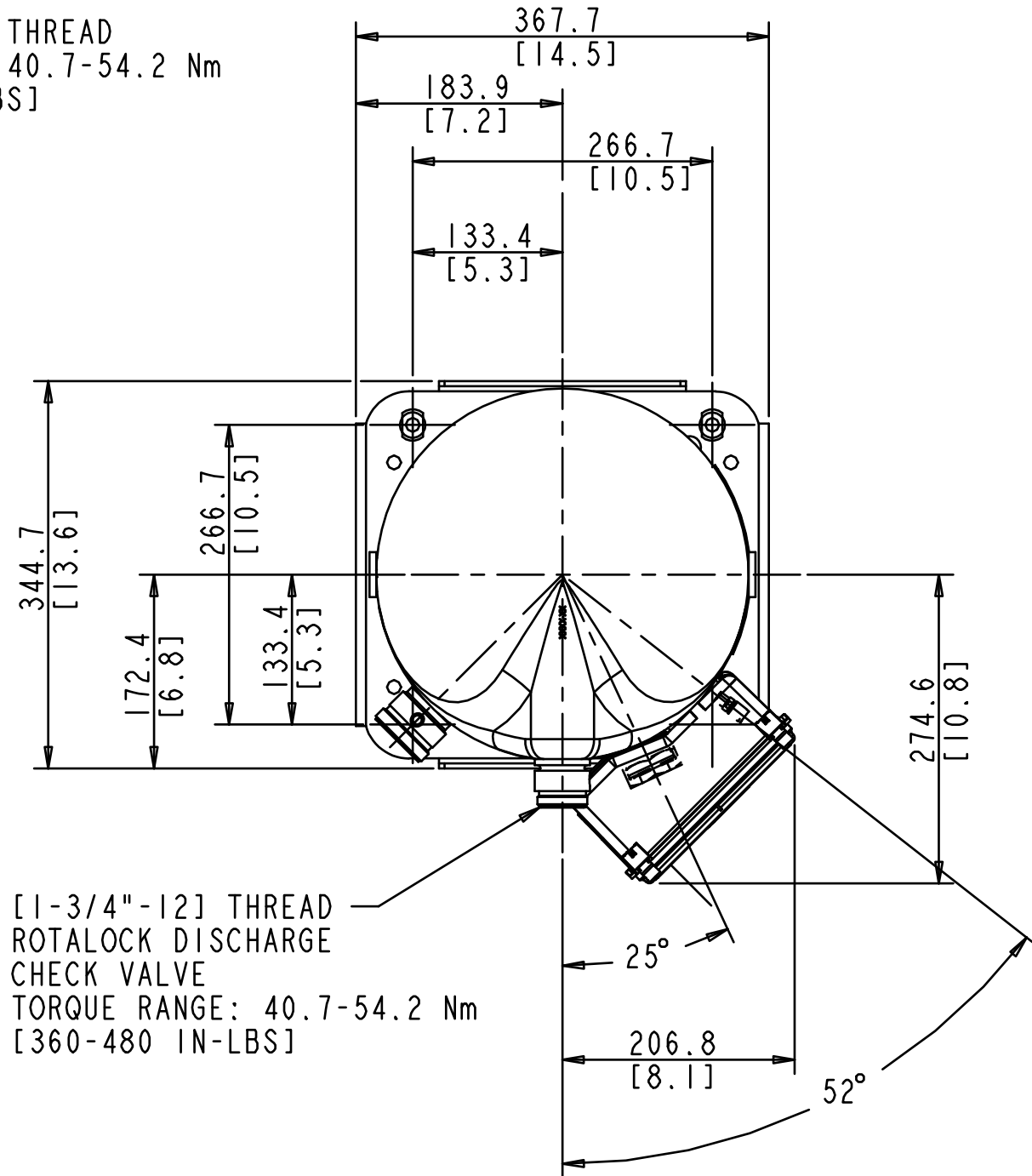


ZB220



2-1/4-12UN-2A THREAD
TORQUE RANGE: 40.7-54.2 Nm
[360-480 IN-LBS]



[1-3/4"-12] THREAD
ROTALOCK DISCHARGE
CHECK VALVE
TORQUE RANGE: 40.7-54.2 Nm
[360-480 IN-LBS]