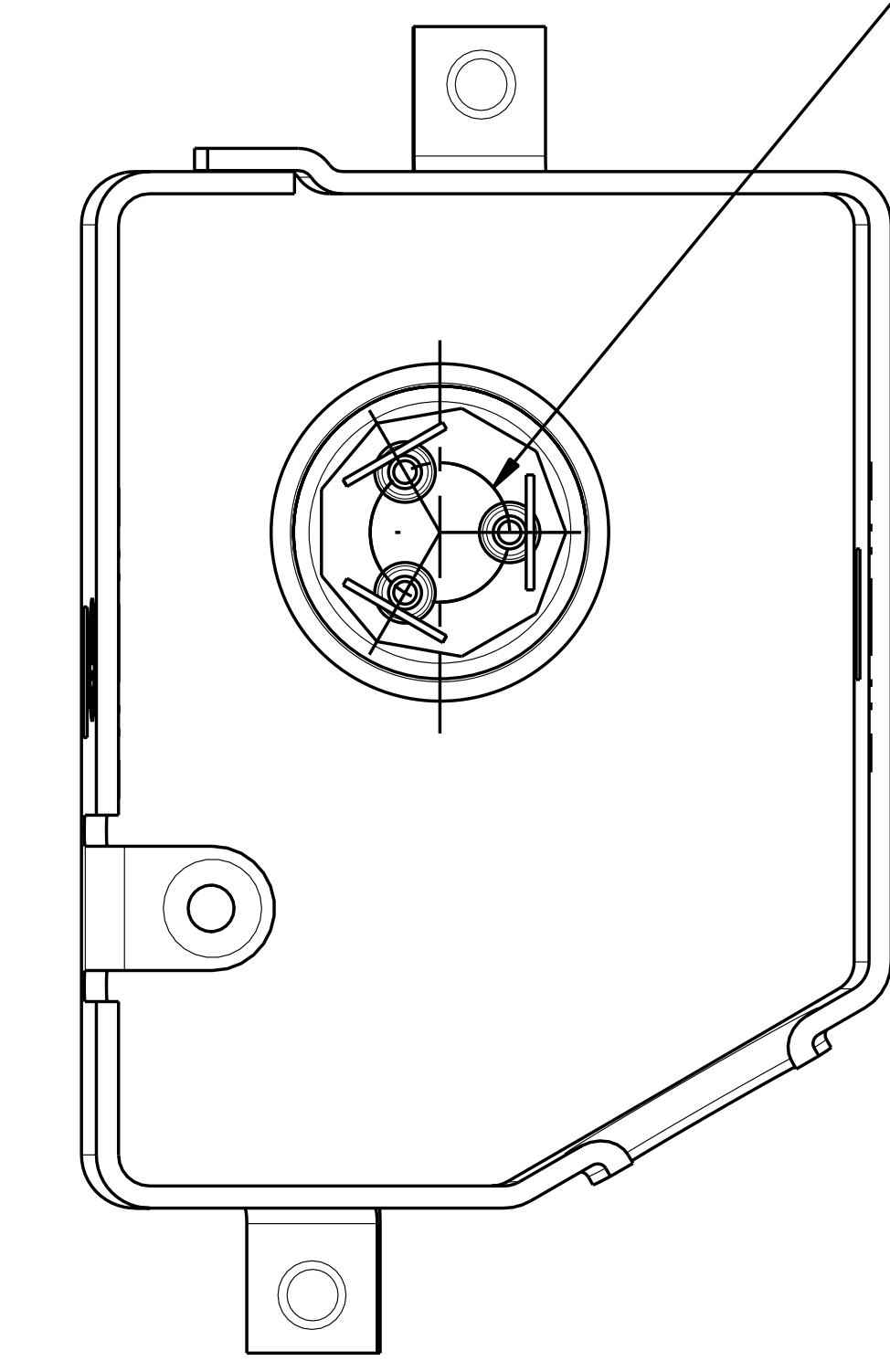
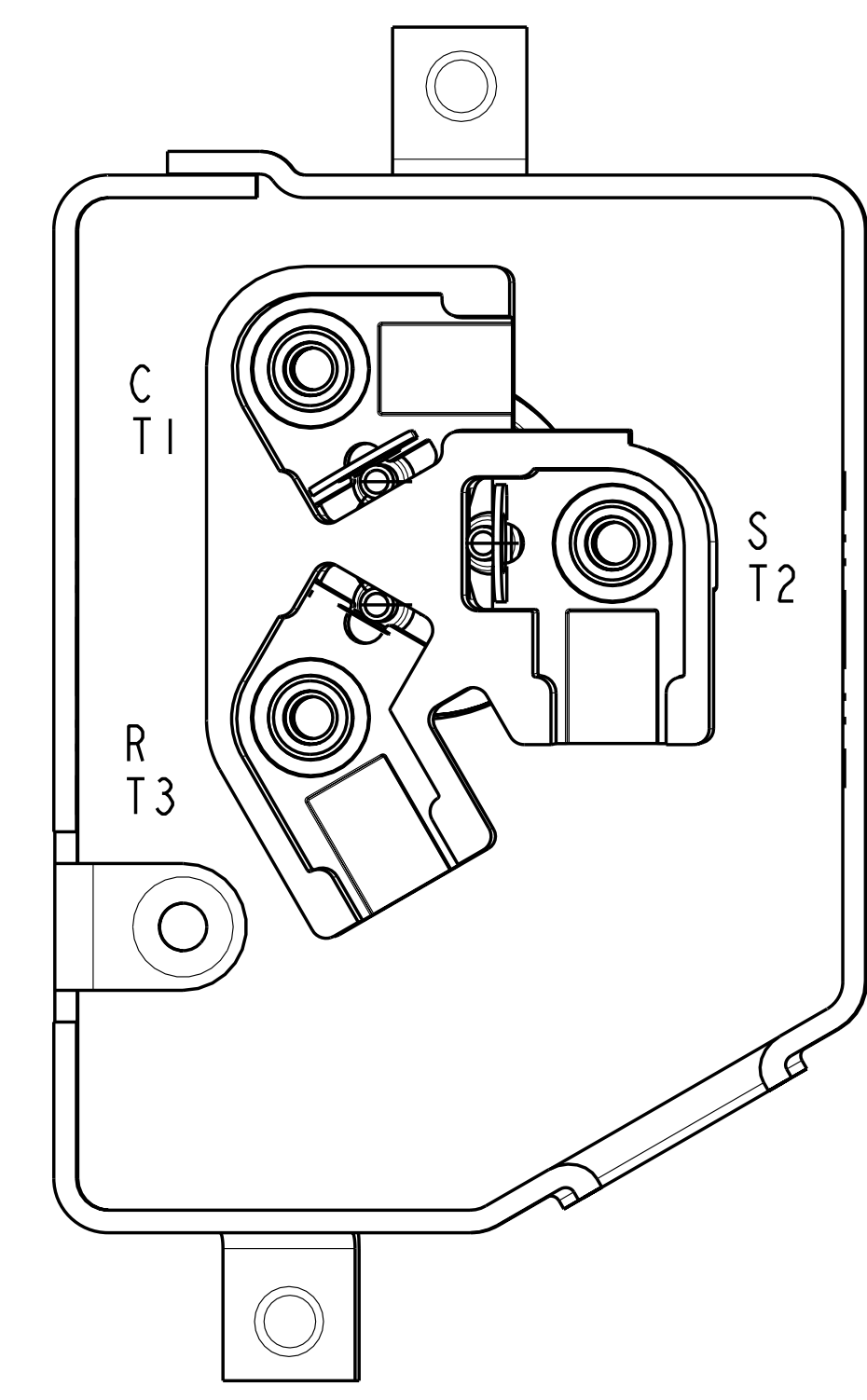
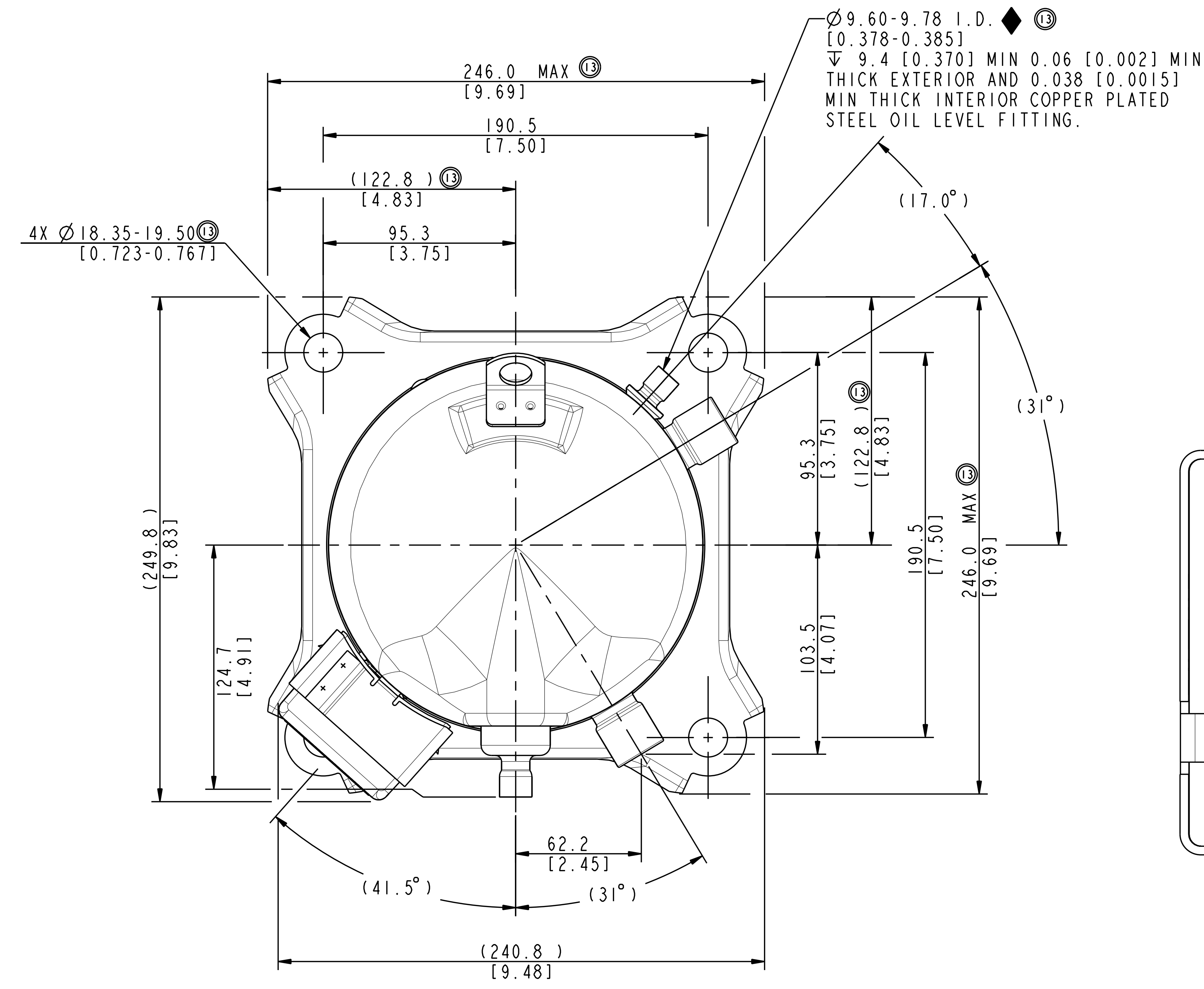
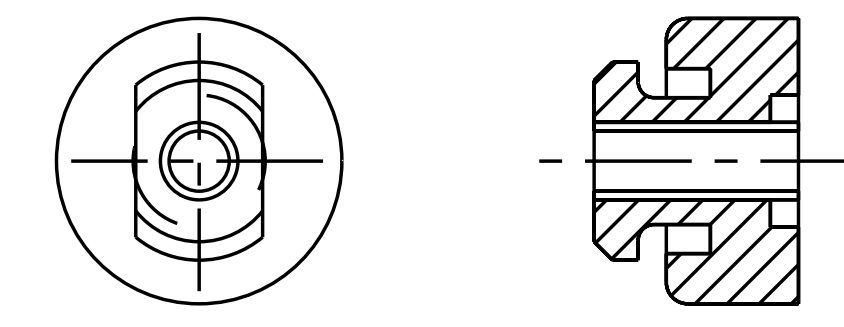


MODEL NUMBER
ZR46K3-PFV, TF5, TFD, TFE
ZR46KC/KCH-TF5
ZR49K3/K3E-PFV, TF5, TFD, TFE
ZR54K3/K3E-PFV, TF5, TFD, TFE
ZR54KC/KCE-TF5, TF7, TFD
ZR57K3-PFV, TF5, TFD, TFE
ZR57KC-TF5, TF7, TFD
ZR61K3/K3E-PFV, TF5, TFD, TFE
ZR61KC/KCE-TF5, TF7, TFD
ZR68KC/KCE-TF5, TF7, TFD, TFE
ZR72KC/KCE-TF5, TF7, TFD, TFE

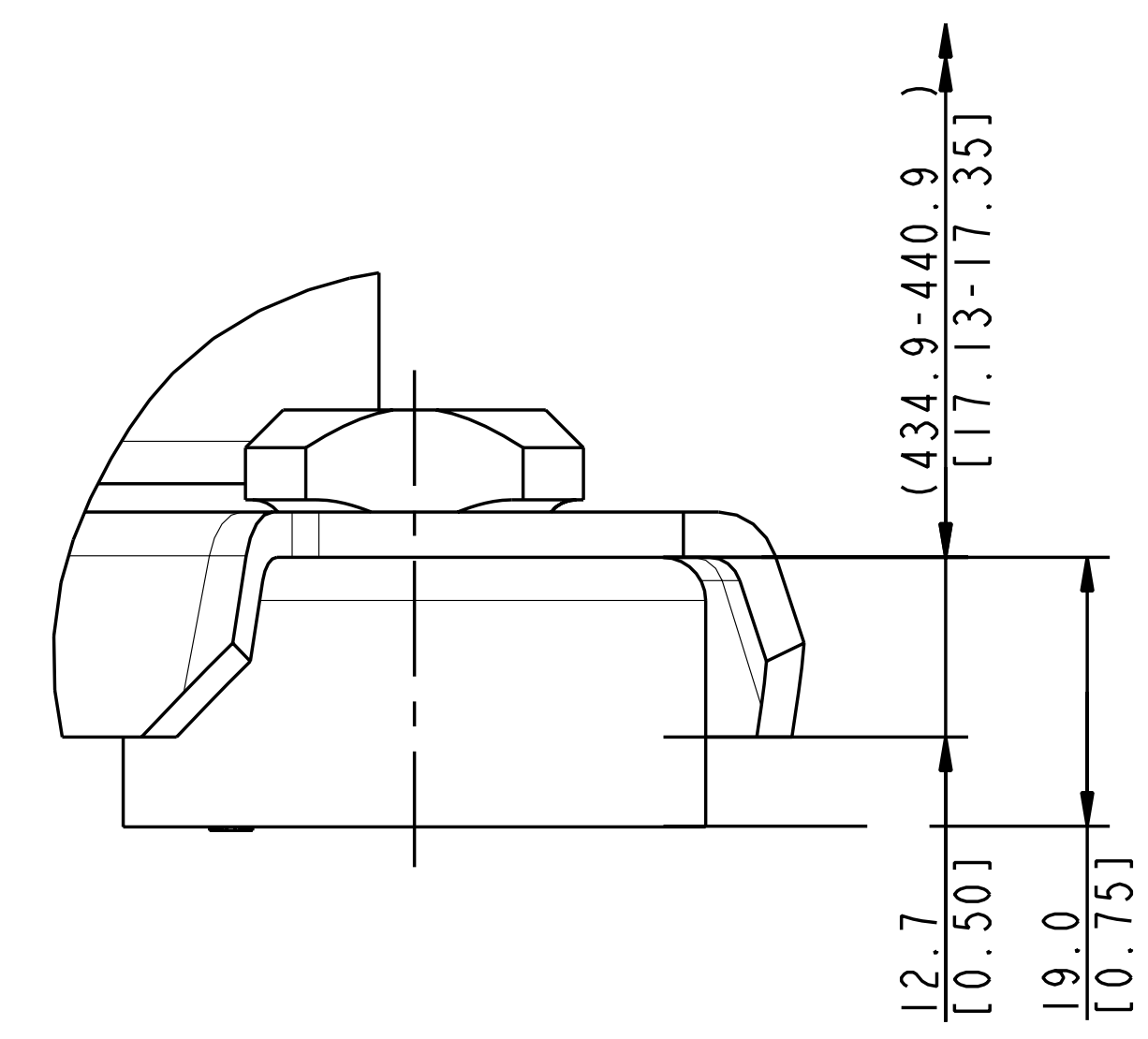
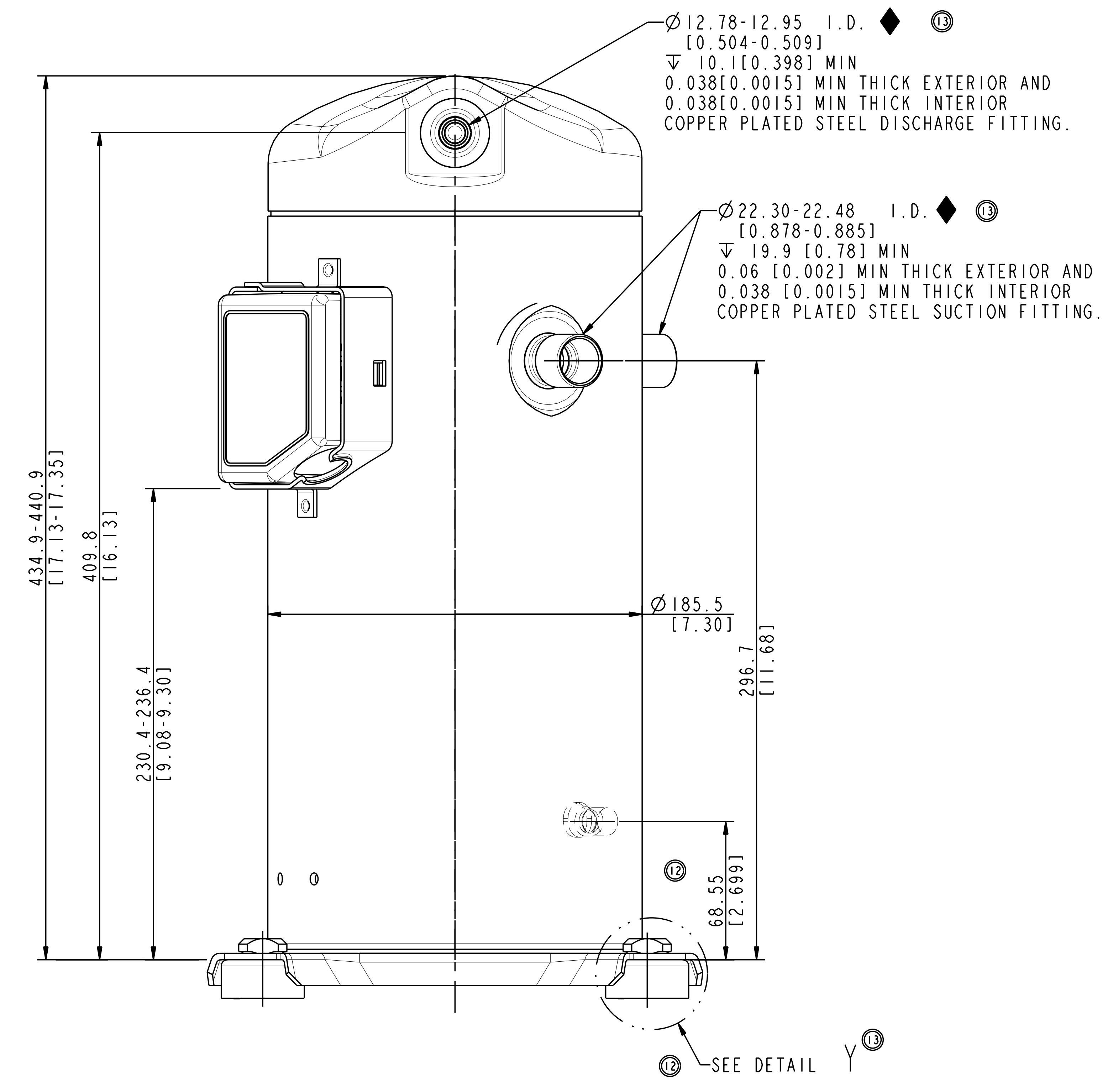
SPECIFICATIONS	
ES NO.	DESCRIPTION
ES92-155	CONVERSION-METRIC

- NOTES:
- ALL TOLERANCES ± 1.50 [0.060] UNLESS OTHERWISE SPECIFIED.
 - DUE TO ACCUMULATED ASSEMBLY TOLERANCES THE LISTED COMPONENTS MAY VARY FROM THE MOUNTING HOLES AS SHOWN BELOW:
 - ALL FITTINGS : ± 3.0 [0.12]
 - MOUNTING KIT.
 - TUBE ENDS MUST BE PLUGGED.

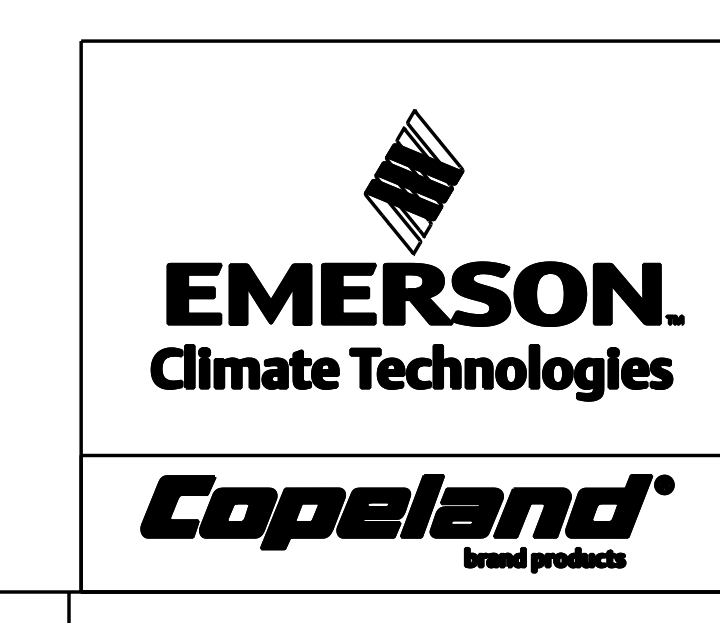
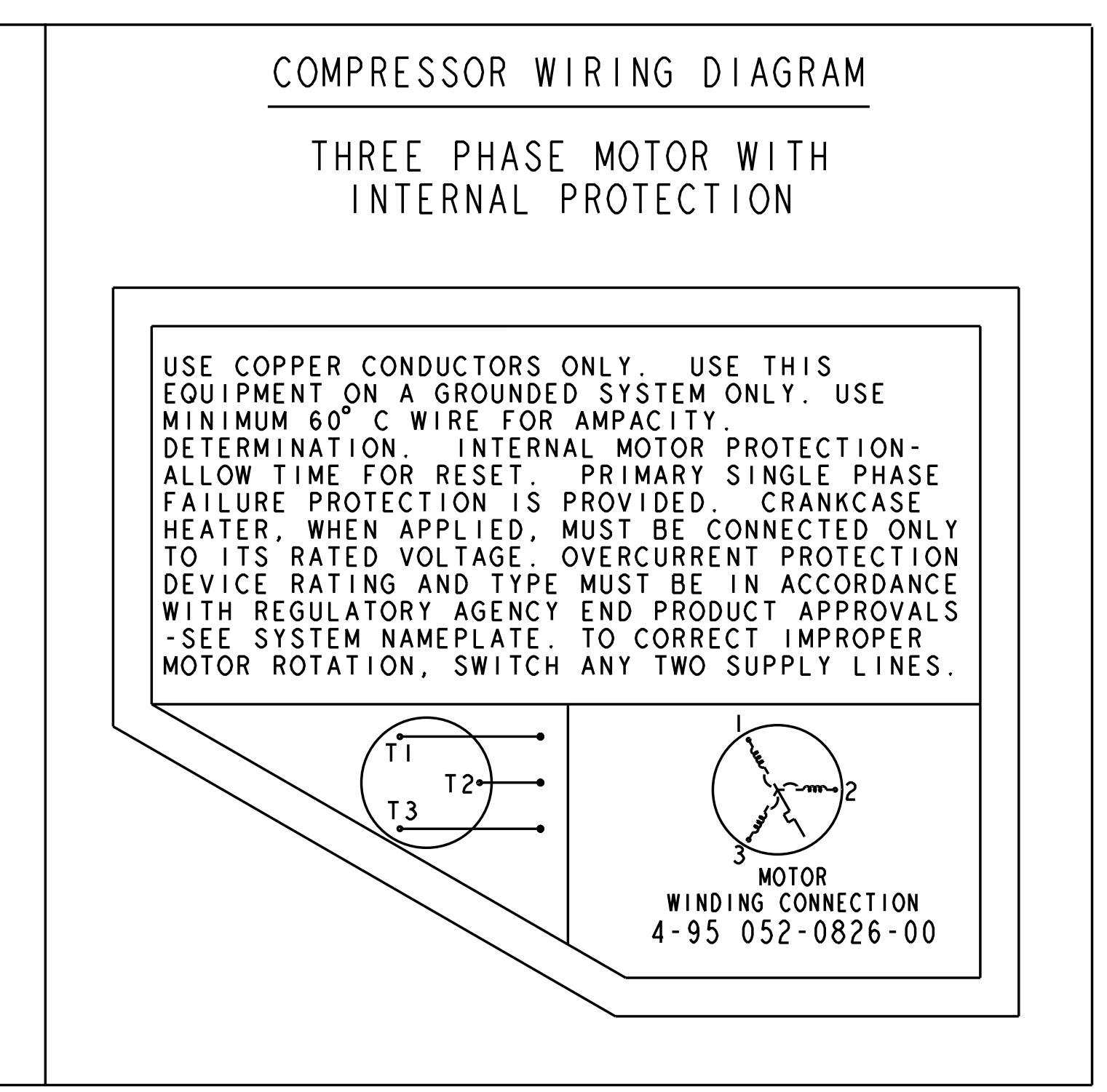
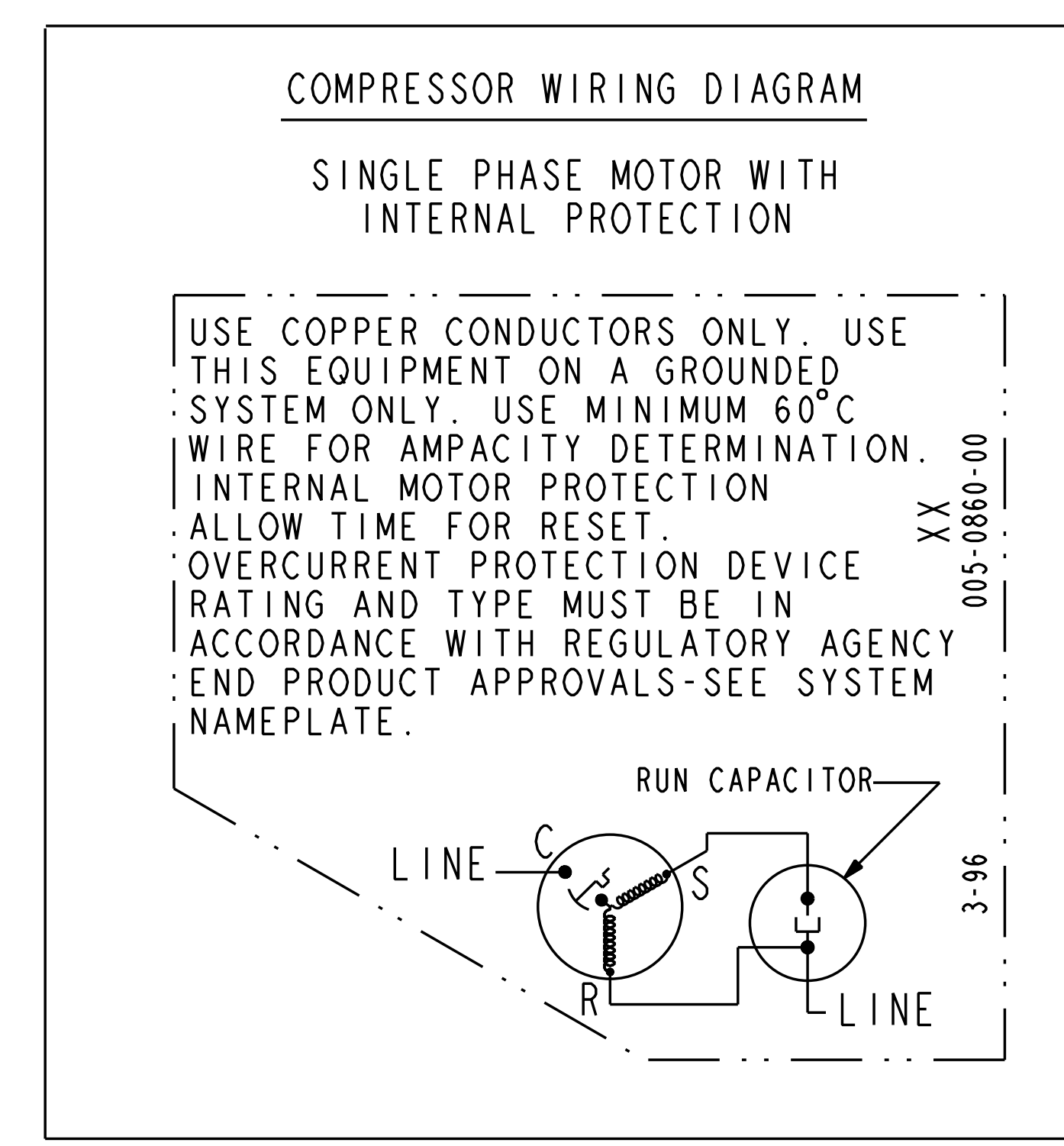
MODELS	GROMMET DUROMETER	4 FOOT KIT
ZR#49 THRU 61	60-70	527-0212-00
ZR#68 THRU 81	STEEL	527-0181-00



$\varnothing 17.45$ PIN CIRCLE [0.687]
 MODELS: TFD, TFE, TF7
 $\varnothing 13.46$ PIN CIRCLE [0.530]
 MODELS: PFV, TF5



⑬ DETAIL Y ⑬
SCALE 2:1



INTERPRET PER ASME Y14.5M-1994 AND EMERSON CLIMATE TECHNOLOGIES, INC. DESIGN STANDARDS DS2002 DO NOT SCALE DRAWING
 THIRD ANGLE PROJECTION
 CRITICAL PRODUCT CHARACTERISTIC
 UNLESS OTHERWISE SPECIFIED DIMENSIONS ARE MILLIMETER OR (INCH)
 TOLERANCES:
 1-PLACE \pm
 2-PLACE \pm
 ANGULAR \pm N/A

ECN	REV. NO.	DESCRIPTION	DATE	BY	CHKD	APPR
ECN005628	13	REVISED DIMENSIONS	06-21-12	PPJ	MA	KJR
ECN000446	12	REPLACED SPACER MOUNTING ASSM WAS: 527-0180-00	01-28-08	SVK	EC	KJR
32-0906-047	11	CHANGED FORMAT FOR PROJECT INC	02-27-07	SVK	CHK	RST
32-0106-025	10	REVISED DIMENSIONS AND NOTES	02-10-06	BKM	EC	RST
32-0205-008	9	ADDED MODELS	03-16-05	KKM	GD	RST
32-0903-012	8	REDRAWN AND REVISED	04-15-03	MMD	GD	RST
32-0198-054	0	RELEASED	03-23-98	DC	GD	RST

THIS DRAWING AND INFORMATION CONTAINED HEREIN ARE THE EXCLUSIVE PROPERTY OF EMERSON CLIMATE TECHNOLOGIES, INC. AND SHALL BE RETURNED UPON DEMAND AND SHALL NOT BE REPRODUCED IN WHOLE OR IN PART, DISCLOSED TO ANYONE ELSE OR USED, WITHOUT THE WRITTEN CONSENT OF EMERSON CLIMATE TECHNOLOGIES, INC.

MATERIAL SPECIFICATION	DRAWN BY	SUPERSEDES DWG. NO. / REV. NO.
N/A	OTL	497-3785-00 / 7
	DATE	SCALE
	04-15-03	3:4

REF DWG-WELD COMP ASSM
 497-3785-00
 SHEET 1 OF 1
 UNCONTROLLED - DO NOT MODIFY

COPYRIGHT EMERSON CLIMATE TECHNOLOGIES, INC. - CONFIDENTIAL