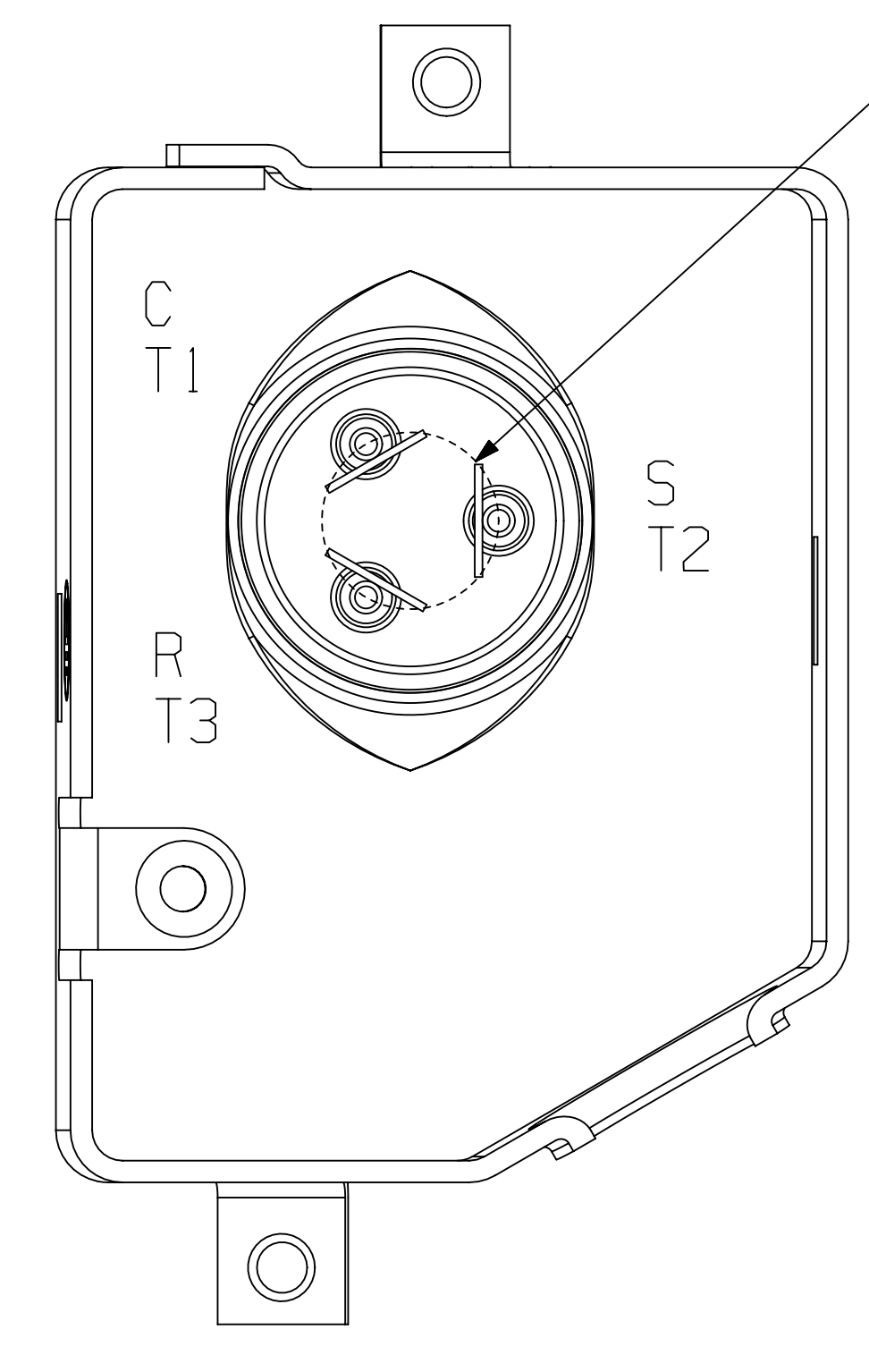
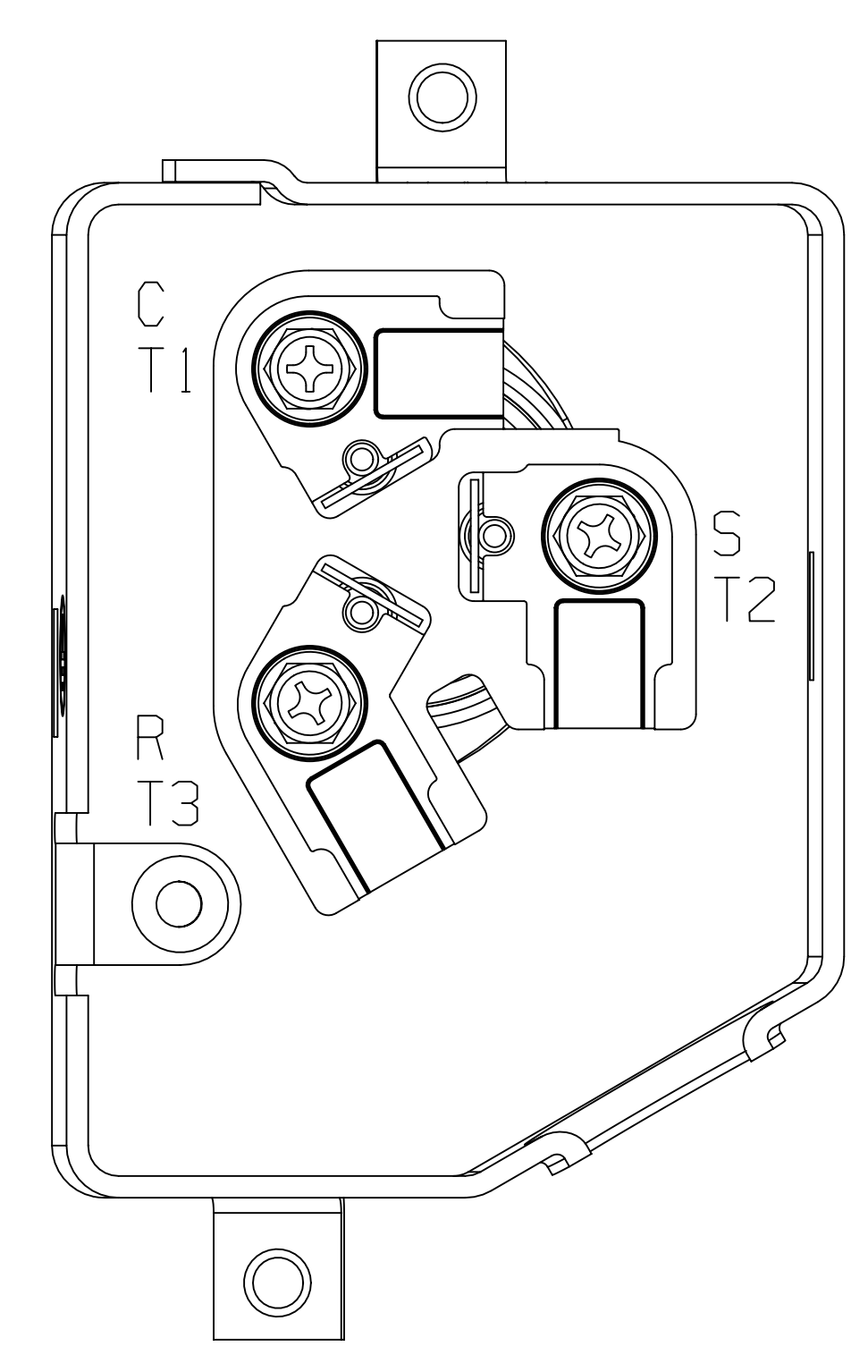


MODEL NUMBER  
ZP61K5E-TFD

SPECIFICATIONS	
ES NO.	DESCRIPTION
ES92-155	CONVERSION-METRIC

- NOTE:
- 1 ALL TOLERANCE ± 1.50 [0.06] UNLESS OTHERWISE SPECIFIED.
  - 2 THE SUCTION TUBE, DISCHARGE TUBE, AND CIRCLE FENCE RADIAL DIMENSIONS ARE TO BE GAUGED FROM THE CENTER OF THE MOUNTING HOLE PATTERN.
  - 3. TUBE ENDS MUST BE PLUGGED.
  - 4. MOUNTING KIT :

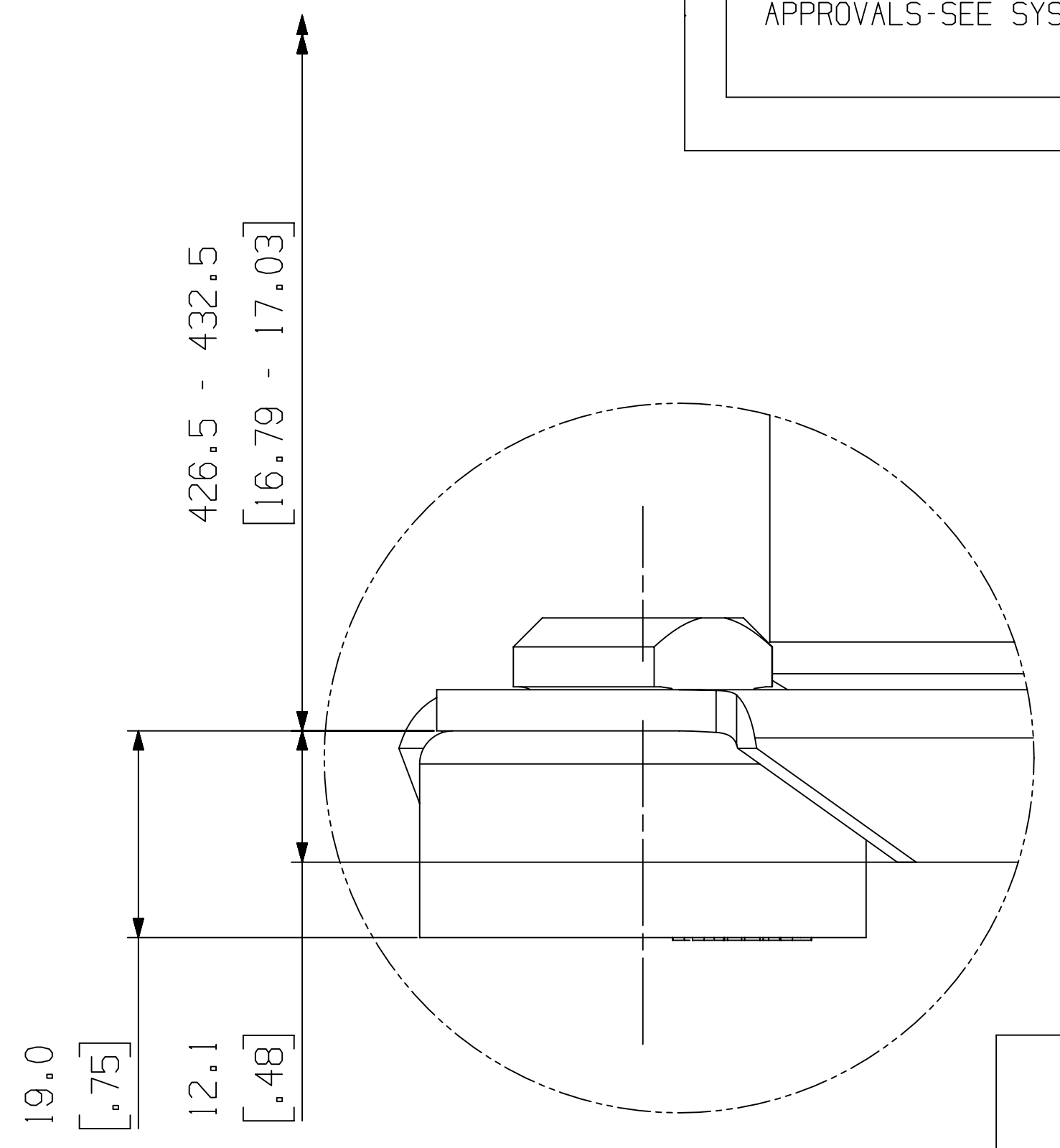
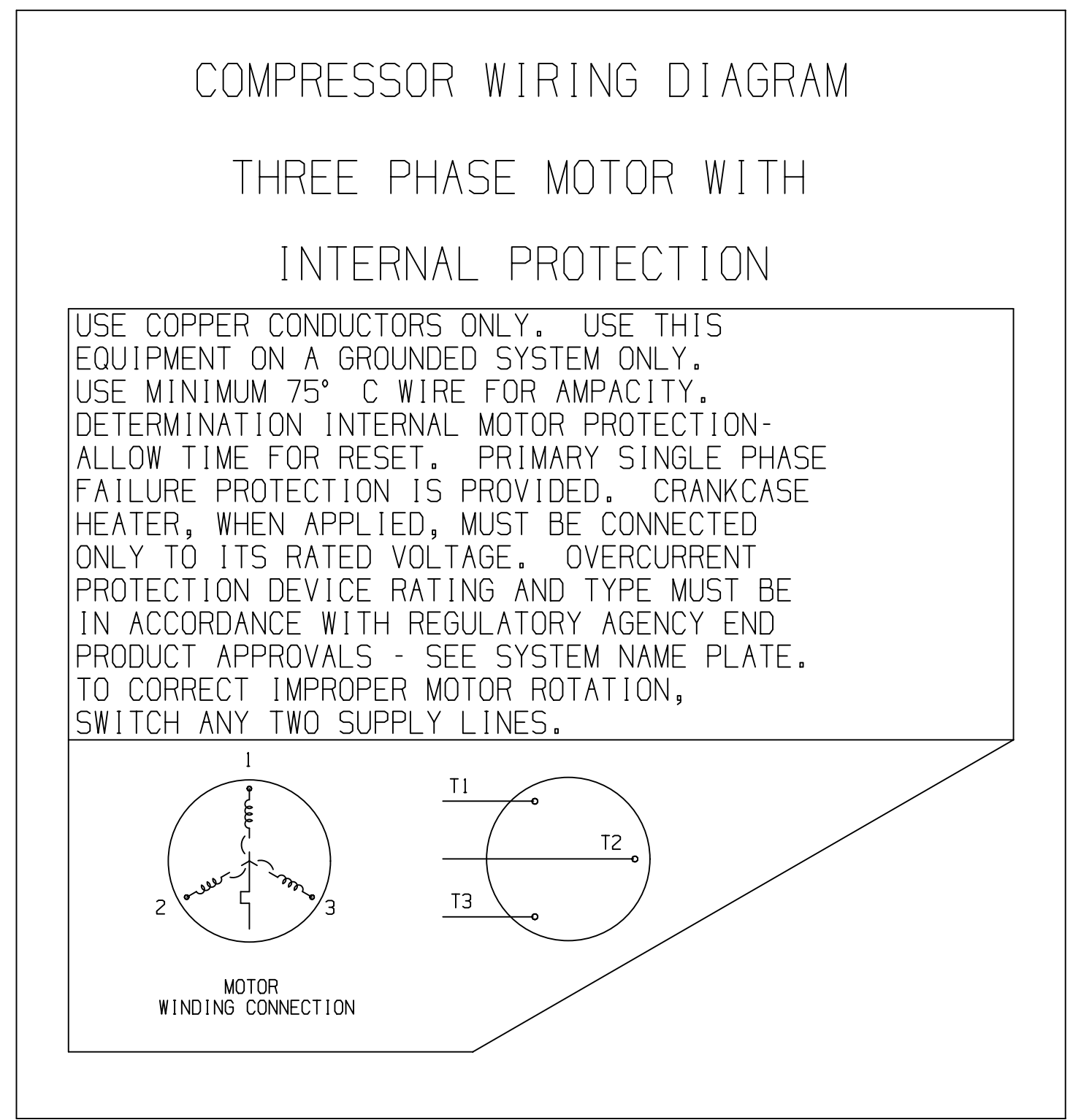
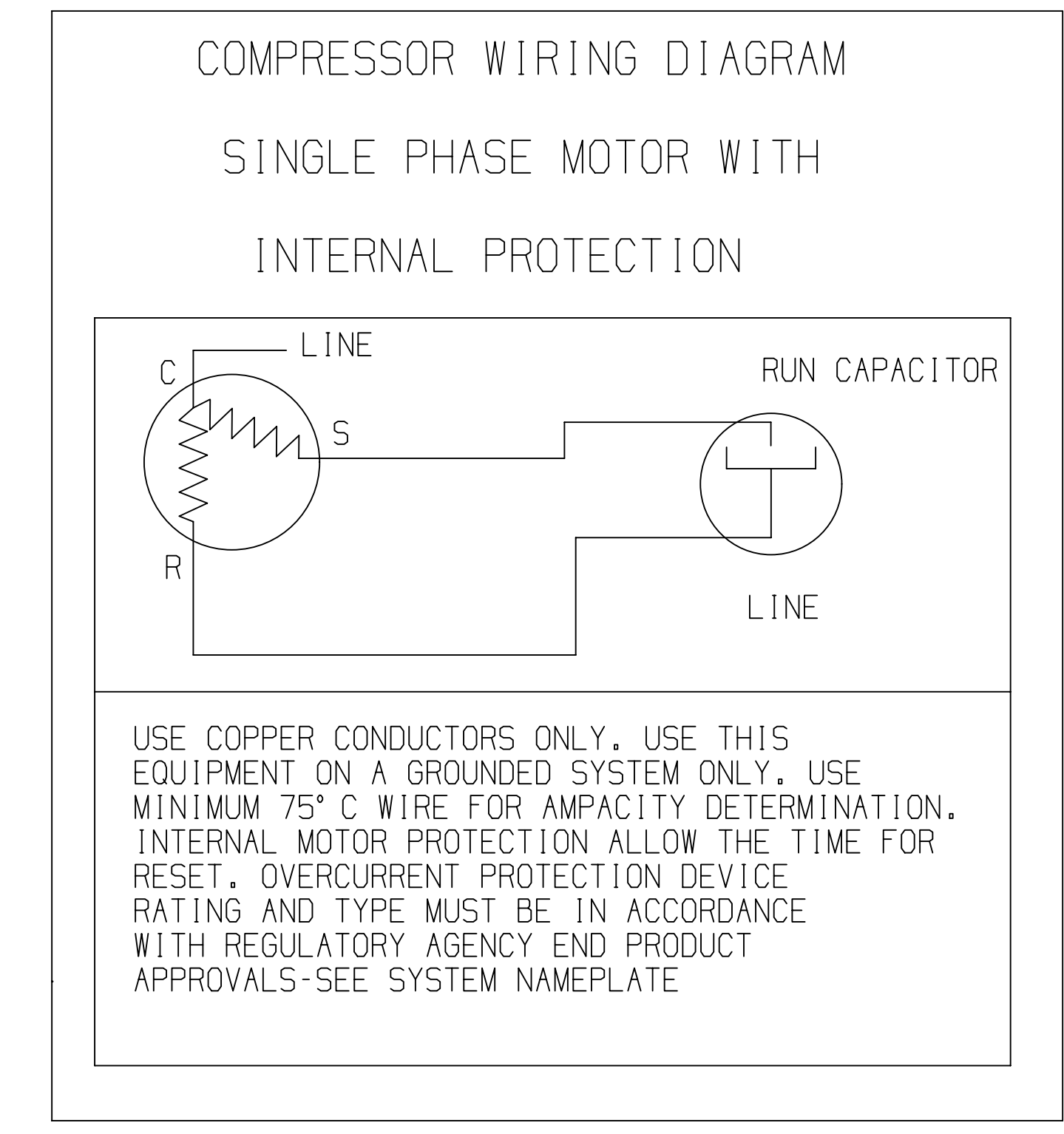
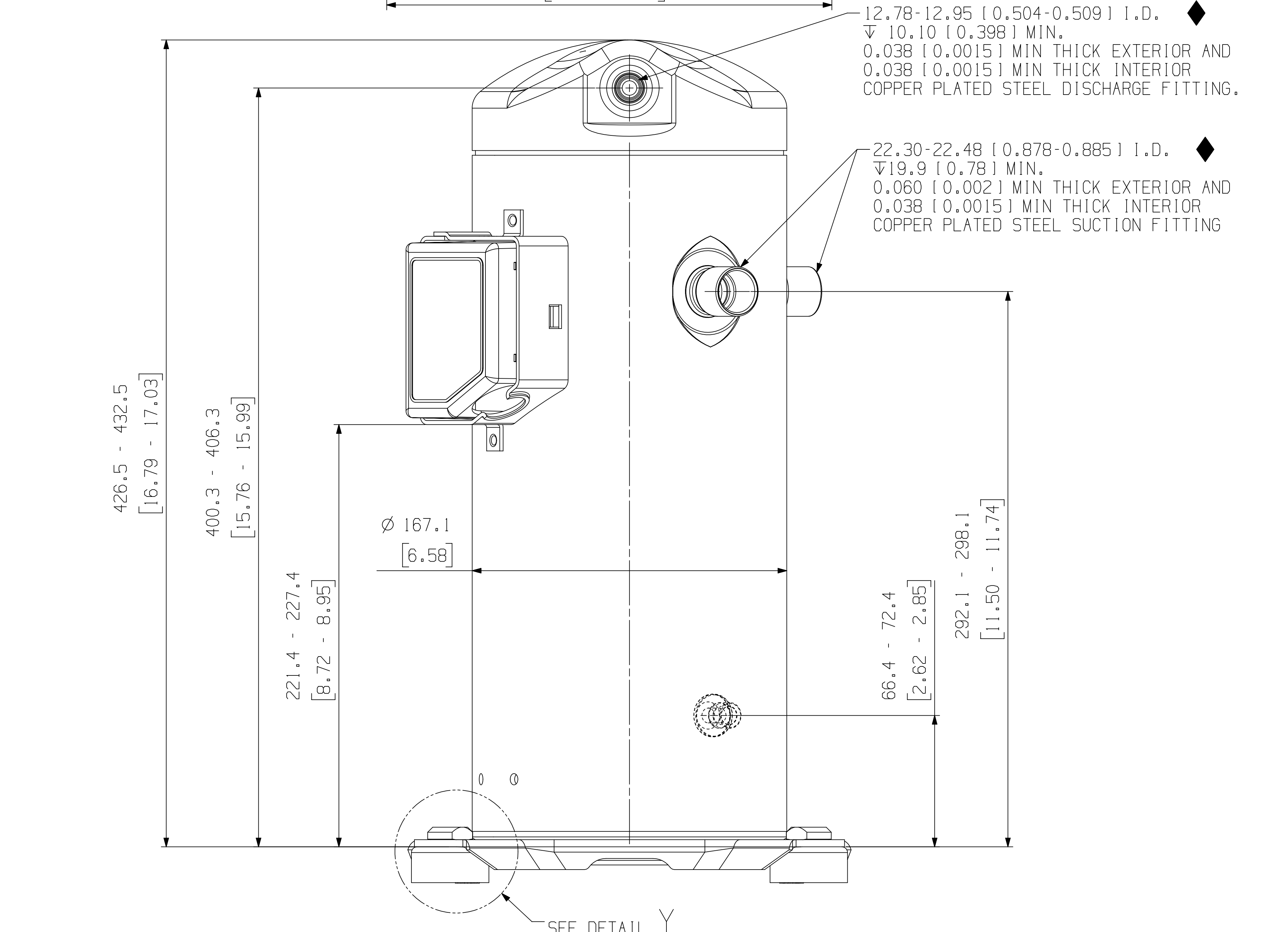
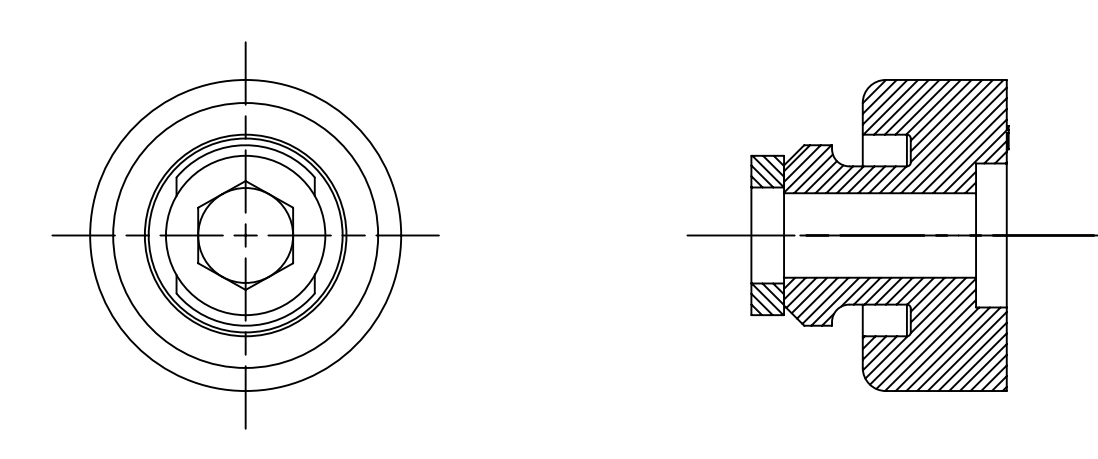
GEOMET DURAMETER	4 FOOT KIT
60-70	527-0212-00



$\varnothing$  17.45 [.687]

PIN CIRCLE FOR MOTOR TFD/TFE/TF7 OR  $\varnothing$  13.46 [0.530]

PIN CIRCLE FOR MOTOR TF5/PFJ/PFZ/TFM



INTERPRET PER ASME Y14.5M-1994 AND EMERSON CLIMATE TECHNOLOGIES INC. DESIGN STANDARDS DS2002  
DO NOT SCALE DRAWING

CRITICAL PRODUCT CHARACTERISTICS

UNLESS OTHERWISE SPECIFIED DIMENSIONS ARE MILLIMETER OR 1 INCH

1-PLACE :  
2-PLACE :  
ANGULAR :

ECN100475	0	RELEASED	12-05-14	LKP	BLR	KJR
ENG NOTICE NO.	REV. NO.	REVISIONS	DATE	BY	CHKD	APPR
CONFIDENTIALITY NOTICE						
24 THIS DRAWING AND INFORMATION CONTAINED HEREIN ARE THE EXCLUSIVE PROPERTY OF EMERSON CLIMATE TECHNOLOGIES, INC. AND SHALL BE RETURNED UPON DEMAND AND SHALL NOT BE REPRODUCED IN WHOLE OR IN PART, DISCLOSED TO ANYONE ELSE OR USED, WITHOUT THE WRITTEN CONSENT OF EMERSON CLIMATE TECHNOLOGIES, INC.						
MATERIAL SPECIFICATION			DRAWN BY		SUPERSEDES Dwg. NO. / REV. NO.	
N/A			LKP		/	
			DATE		SCALE	
			12-05-14		3:4	
			DATE FORMAT:		MM-DD-YY	
			12-05-14			
TITLE			DRAWING NUMBER		SHEET 1 OF 1	
REF DWG-WELD COMP ASSM			497-1737-00		5	
UNCONTROLLED - DO NOT MODIFY						

COPYRIGHT EMERSON CLIMATE TECHNOLOGIES, INC. - CONFIDENTIAL