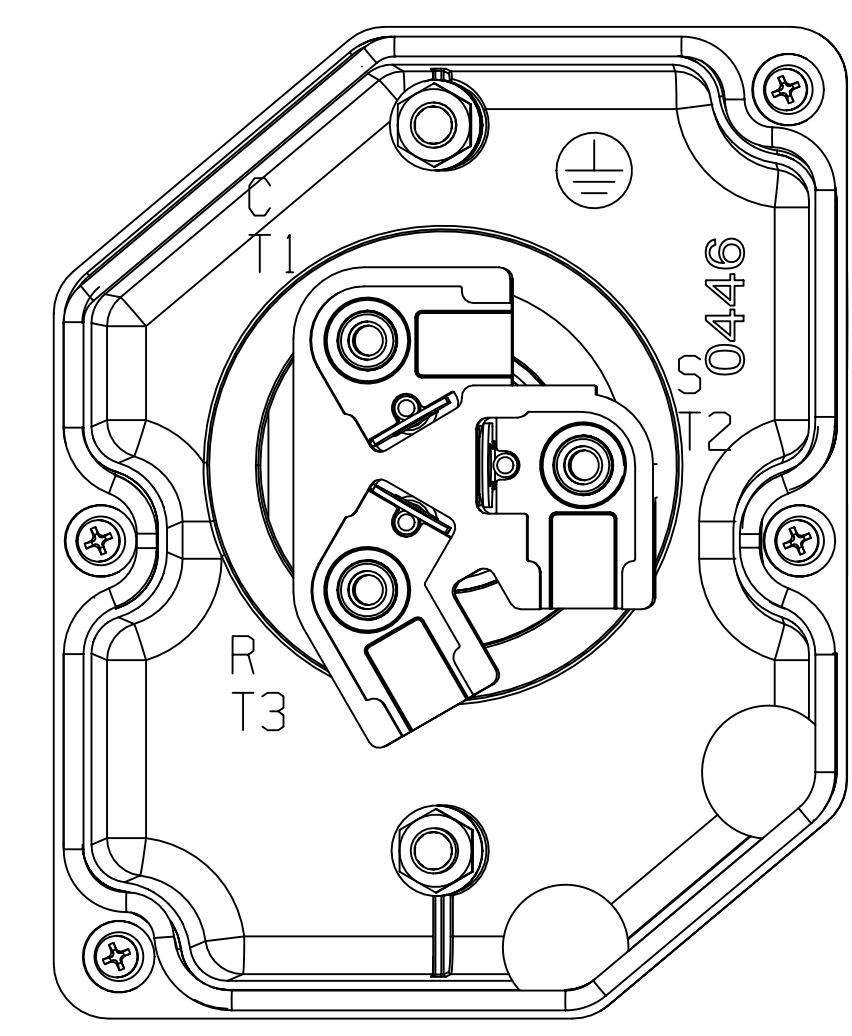
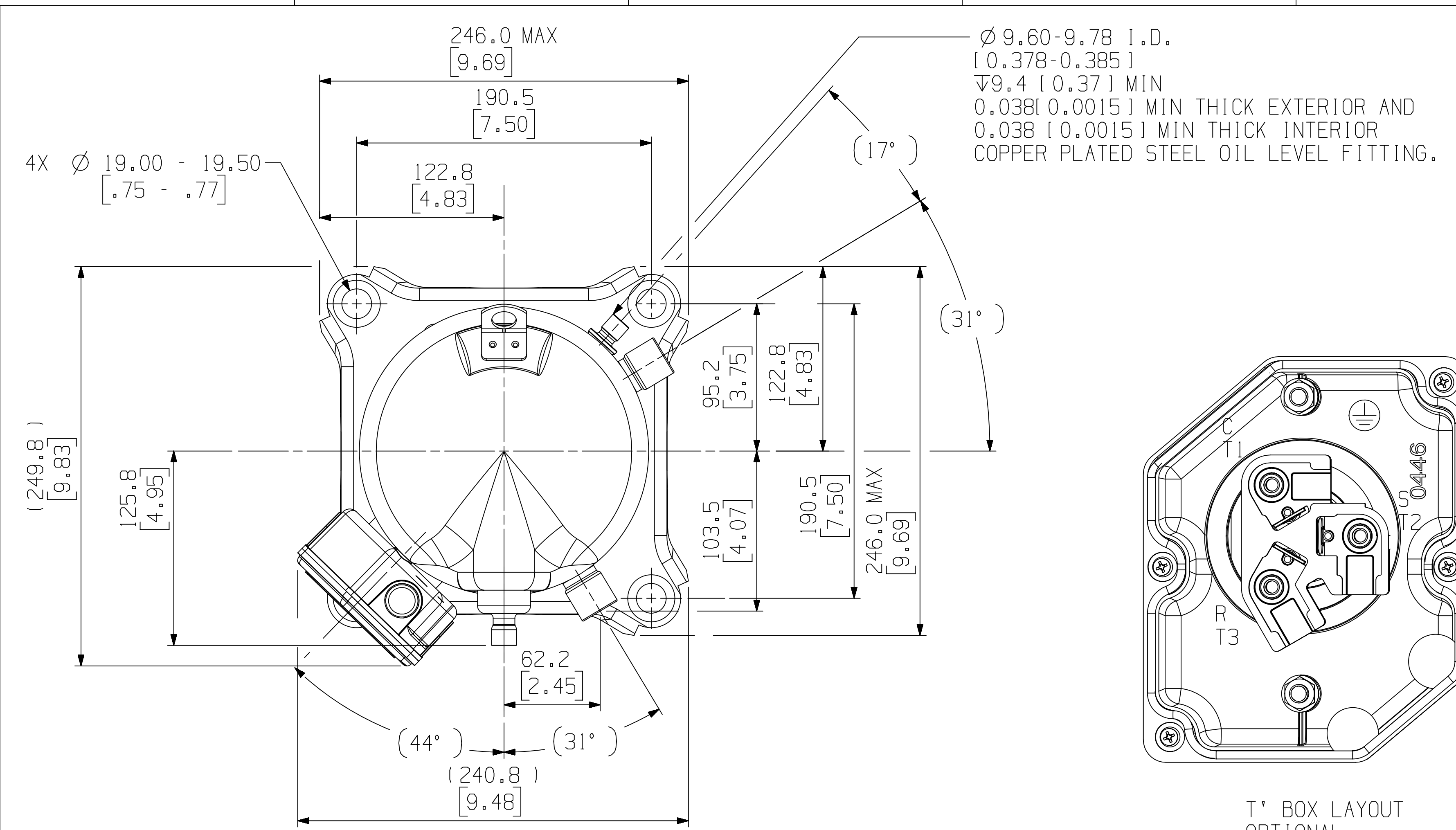
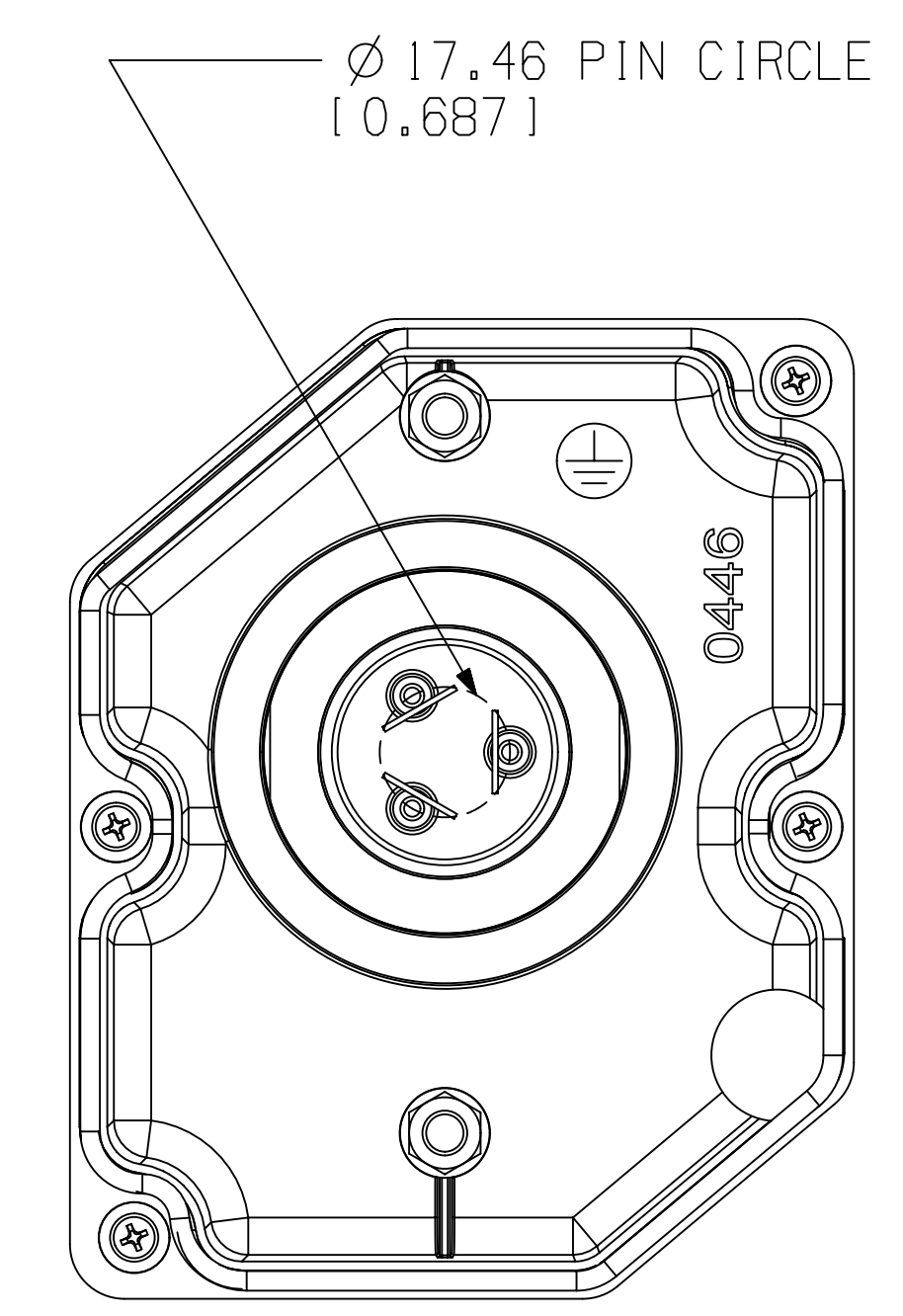


MODEL NUMBER
ZP72KCE-TFD
ZP83KCE-TFD

SPECIFICATIONS	
ES NO.	DESCRIPTION
ES92-155	CONVERSION-METRIC



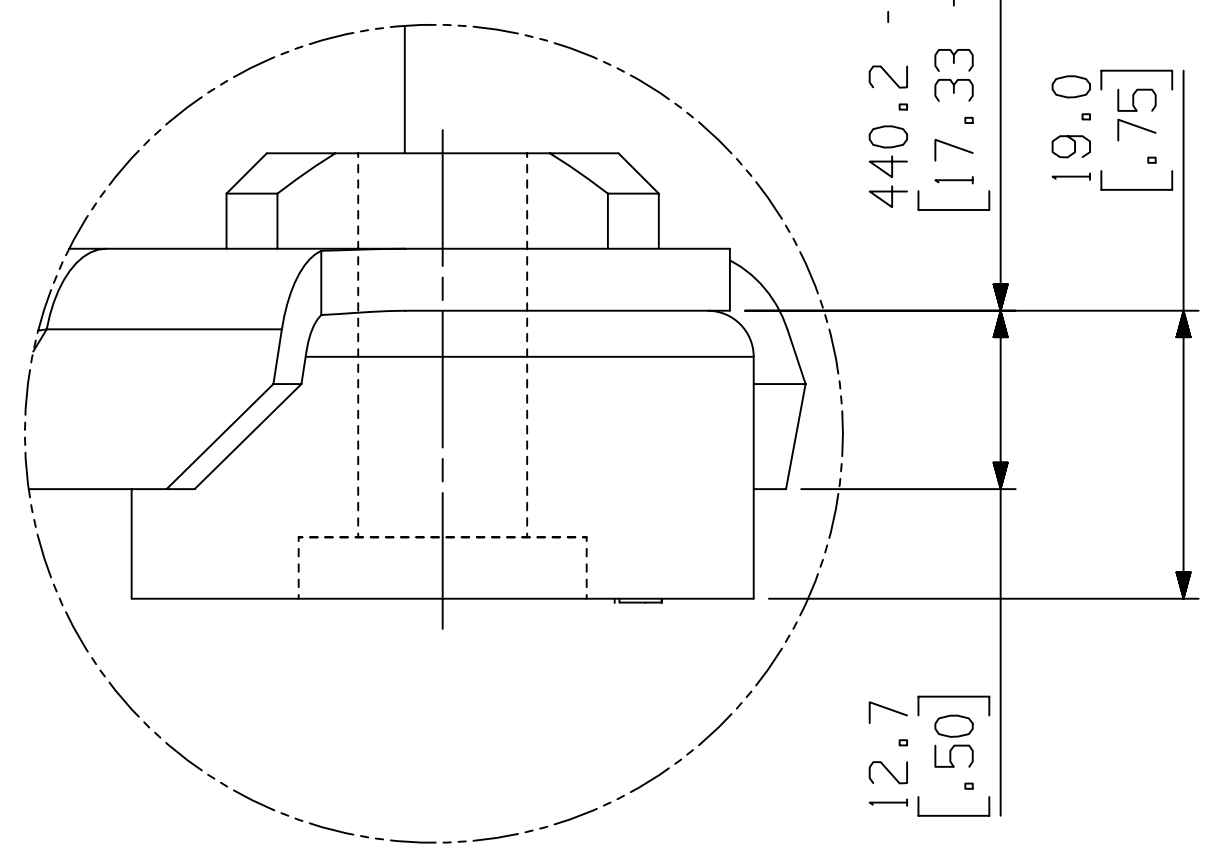
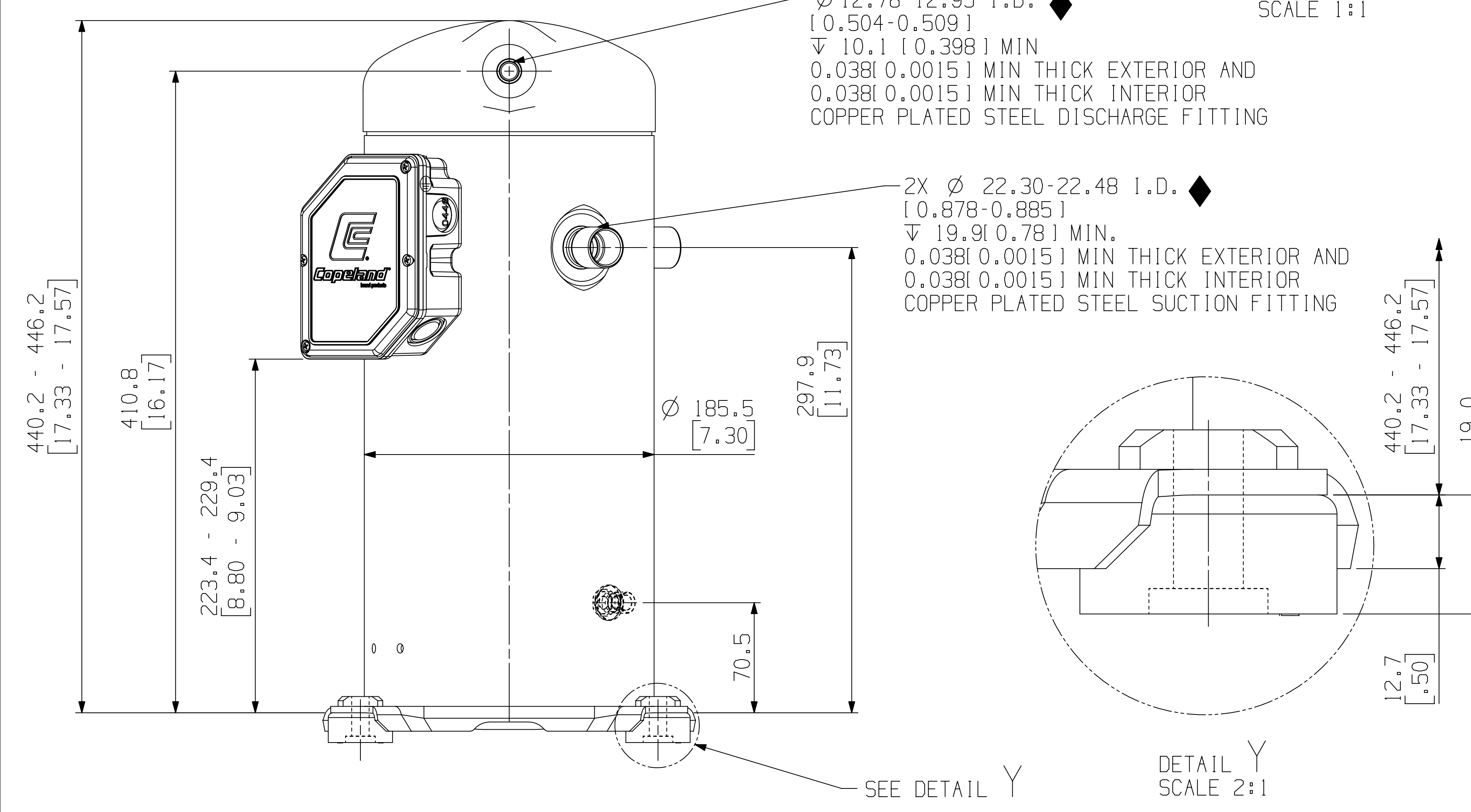
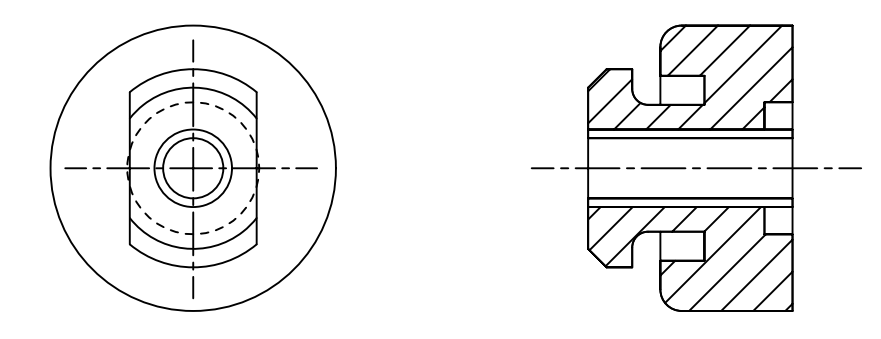
T* BOX LAYOUT
OPTIONAL
SCALE 1:1



T* BOX LAYOUT
STANDARD
SCALE 1:1

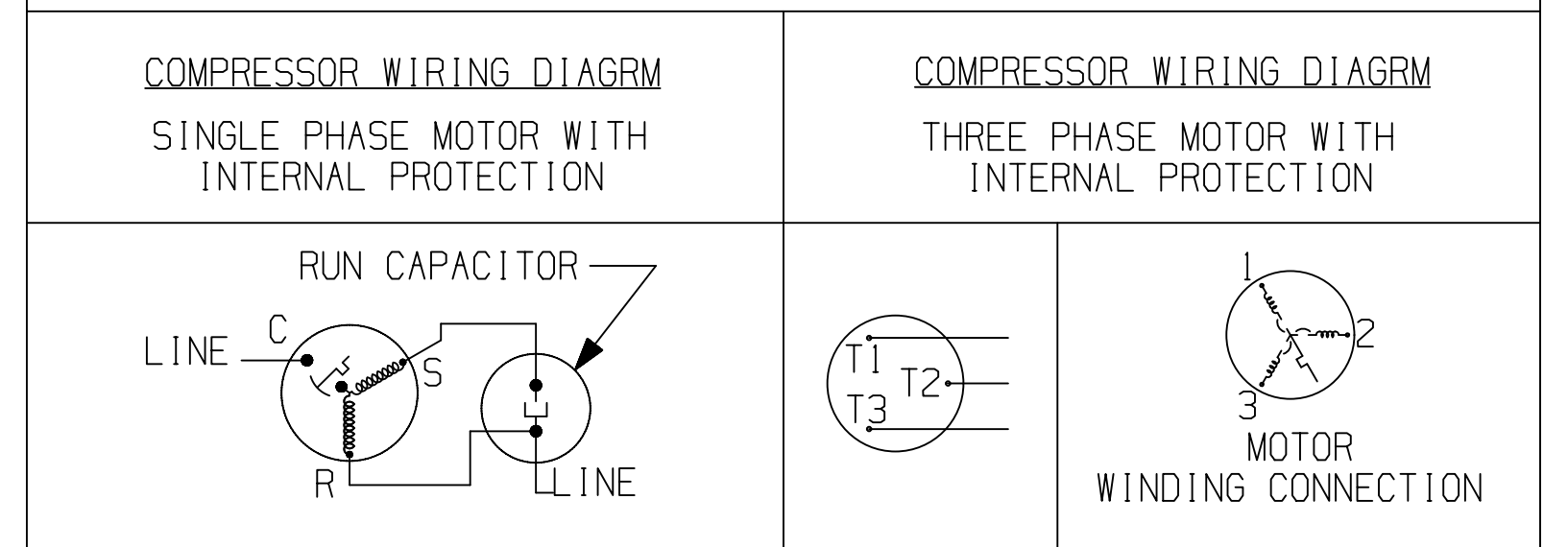
- NOTES:
- 1 ALL TOLERANCES ± 1.50 [0.060] UNLESS OTHERWISE SPECIFIED.
 - 2 MOUNTING KIT.
 - 3. TUBE ENDS MUST BE PLUGGED.

MODELS	GROMMET DUROMETER	4 FOOT KIT
ZP*50 THRU 83	STEEL	527-0181-00



DETAIL Y
SCALE 2:1

USE COPPER CONDUCTORS ONLY. USE MINIMUM 75° C WIRE FOR AMPACITY DETERMINATION. INTERNAL MOTOR PROTECTION - ALLOW TIME FOR RESET. OVERCURRENT PROTECTION DEVICE RATING AND TYPE MUST BE IN ACCORDANCE WITH REGULATORY AGENCY END PRODUCT APPROVALS - SEE SYSTEM NAMEPLATE. CRANKCASE HEATER, WHEN APPLIED, MUST BE CONNECTED ONLY TO ITS RATED VOLTAGE. TO CORRECT IMPROPER ROTATION OF THREE PHASE MODELS, SWITCH ANY TWO SUPPLY LINES. REFER TO THE APPLICABLE SYSTEM WIRING DIAGRAM.



INTERPRET PER ASME Y14.5M-1994 AND EMERSON CLIMATE TECHNOLOGIES, INC. DESIGN STANDARDS DS2002
DO NOT SCALE DRAWING
THIRD ANGLE PROJECTION
CRITICAL PRODUCT CHARACTERISTICS
UNLESS OTHERWISE SPECIFIED DIMENSIONS ARE MILLIMETER OR (INCH)
TOLERANCES:
1-PLACE ±
2-PLACE ±
ANGULAR ±

ECN101708	0	RELEASED	10-25-16	MNT	VC	VC
ENG NOTICE NO.	REV.NO.	REVISIONS	DATE	BY	CHKD	APPR
CONFIDENTIALITY NOTICE						
THIS DRAWING AND INFORMATION CONTAINED HEREIN ARE THE EXCLUSIVE PROPERTY OF EMERSON CLIMATE TECHNOLOGIES, INC. AND SHALL BE RETURNED UPON DEMAND AND SHALL NOT BE REPRODUCED IN WHOLE OR IN PART DISCLOSED TO ANYONE ELSE OR USED, WITHOUT THE WRITTEN CONSENT OF EMERSON CLIMATE TECHNOLOGIES, INC.						
MATERIAL SPECIFICATION		DRAWN BY	SUPERSEDES DWG. NO. / REV. NO.			
N/A		MNT	497-2852-00/024			
		DATE	SCALE	DATE FORMAT:		
		10-25-16	1:2	MM-DD-YY		
TITLE			DRAWING NUMBER	SHEET 1 OF 1		
REF DWG-WELD COMP ASSM			497-2944-00	4		
			SIZE			