

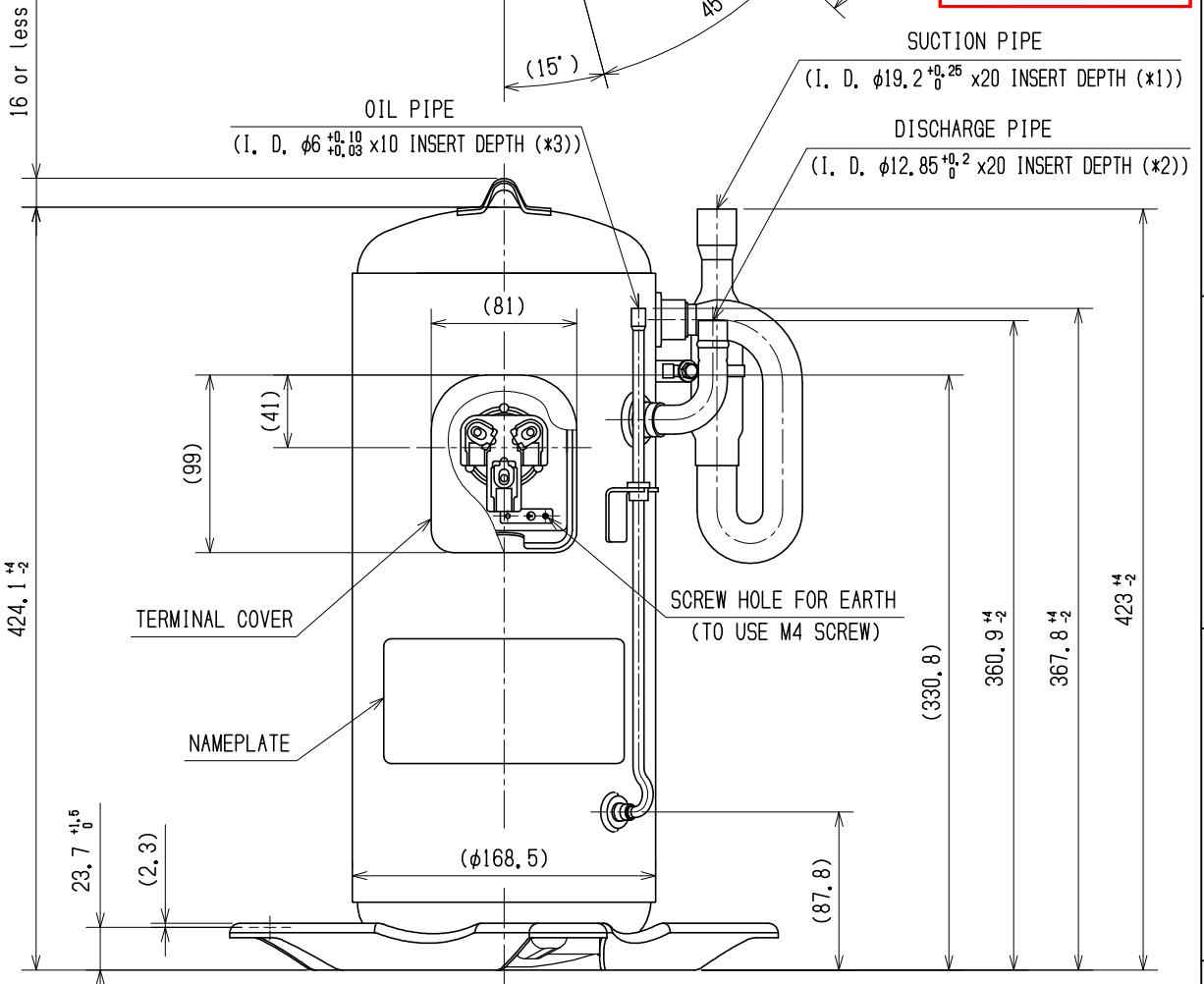
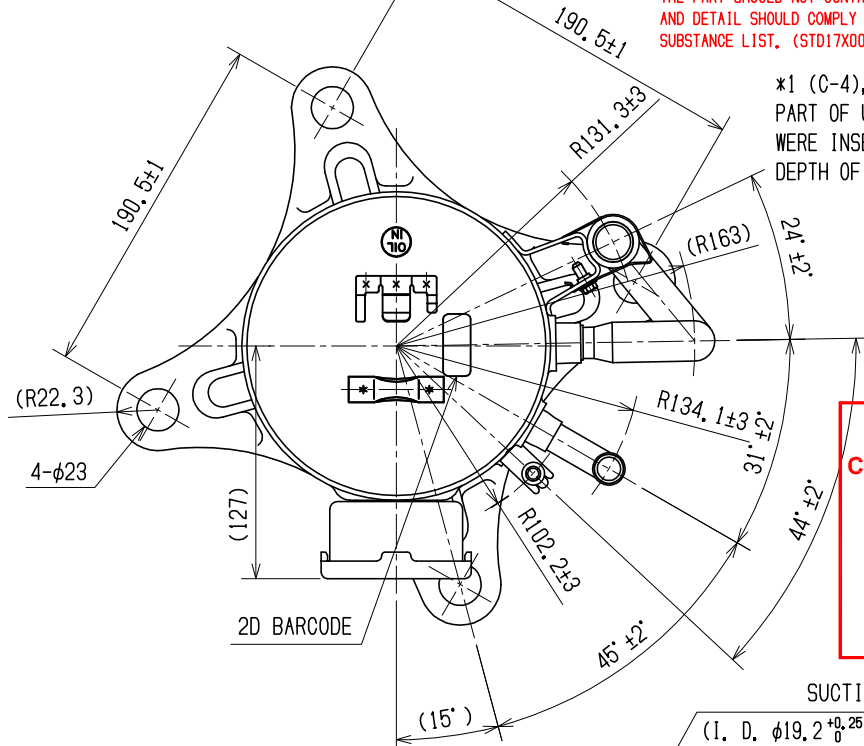
| CHANGE | |
|----------------------|--|
| M1 (F-1) | |
| *05" TYPE WAS ADDED. | |
| 18-01-18 | |
| I. AMPOL | |
| I. KORAKOT | |
| (NO. NC91800004) | |

SPECIAL NOTE

THE PART SHOULD NOT CONTAIN PROHIBITED SUBSTANCES AND DETAIL SHOULD COMPLY WITH SCI-ROHS & REACH(SVHC) SUBSTANCE LIST. (STD17X001)

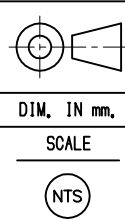
*1 (C-4), *2 (C-4), *3 (C-2)
PART OF UNIT CONNECTION PIPES WERE INSERTED UNTIL THE INSERT DEPTH OF COMPRESSOR PIPES.

Confidential (ลับเฉพาะ)
CONTROLLED COPY
 Issued Date
19 FEB 2018
TIC
SCI



AN SERIES "QE", "QS" TYPE
 ANB SERIES "KE", "KM", "KQ", "KP", "KN", "KK", "QQ", "QR" TYPE

| USE FOR MODEL | |
|----------------------------|---------------------------------------|
| <input type="checkbox"/> K | <input type="checkbox"/> N |
| <input type="checkbox"/> S | <input checked="" type="checkbox"/> A |
| <input type="checkbox"/> R | <input type="checkbox"/> B |
| <input type="checkbox"/> T | <input type="checkbox"/> D |
| <input type="checkbox"/> P | <input type="checkbox"/> Q |

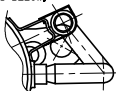


| | | | | |
|---|--|--------------------|------------|----------|
| SIAM COMPRESSOR INDUSTRY CO., LTD. | | DATE 08-04-29 | | APPROVED |
| | | DRAWN N. THIDAPORN | I. KORAKOT | |
| CHECKED S. SURIYAN | | DESIGNED I. AMPOL | | |

| | |
|------------------------------|----------|
| REFERENCE : SC01D795 | |
| TITLE COMPR. OUTLINE DWG. | |
| DWG. No. | SC01D824 |
| | 1/2 |

CHANGE CHANGE

A1 (A-3)
DRAWING WAS AS BELOW.



K1 (A-1)
FORM WAS CHANGED.

K2 (B-3)
R131, 3&3 WAS R131, 3.

K3 (B-3)
R134, 1&3 WAS R134, 1.

K4 (B-3)
R102, 2&3 WAS R102, 2.

K5 (C-2)
(R163) WAS R163.

K6 (B-3)
24' &2' WAS 24'.

K7 (B-3)
31' &2' WAS 31'.

K8 (B-3)
45' &2' WAS 45'.

K9 (B-4)
44' &2' WAS 44'.

K10 (D-4)
360, 9&2 WAS 360, 9&2.

A2 (A-2)
OIL IN WAS ADDED.

A3 (B-2)
2D BARCODE WAS ADDED.

A4 (E-1)
NAMEPLATE WAS ADDED.

A5 (E-3)
WARNING LABEL WAS ADDED.

09-07-15
C. PEERAYOOT
I. KORAKOT

B1 (A-1)
FORM WAS CHANGED.

B2 (A-3)
SPECIAL NOTE WAS CHANGED.

B3 (C-2)
DIMENSION WAS ADDED.

WARNING LABEL WAS DELETED.

11-06-13
I. AMPOL
S. DUMRONGSAK

B1 (A-1)
FORM WAS CHANGED.

B2 (A-3)
SPECIAL NOTE WAS CHANGED.

B3 (C-2)
DIMENSION WAS ADDED.

WARNING LABEL WAS DELETED.

11-06-13
I. AMPOL
S. DUMRONGSAK

C1 (D-1)
MODEL NAME WAS ADDED.

C2 (D-1)
MANUFACTURE DATE WAS ADDED.

C3 (B-1)
C3 WAS R22, 3.

C4 (B-2)
C4 WAS 127.

C5 (D-2)
C5 WAS 98.

C6 (D-2)
C6 WAS 41.

C7 (D-2)
C7 WAS 81.

C8 (E-1)
C8 WAS 2, 3.

C9 (E-2)
C9 WAS Ø168, 5.

C10 (E-3)
C10 WAS 330, 8.

11-07-08
S. BUNCHA
S. DUMRONGSAK

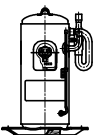
K11 (D-4)
367, 8 WAS 367, 8&2.

K12 (D-4)
423&2 WAS 423&2.

K13 (D-1)
424, 1&2 WAS 424, 1.

K14 (E-1)
23, 7 &2 WAS 23, 7.

K15 (D-2)
DRAWING WAS AS BELOW.



D1 (D-2)
MODEL NAME AND MANUFACTURE DATE WERE CANCELLED.

12-06-28
I. AMPOL
S. DUMRONGSAK
(NO. NC91210141)

L1 (A-1)
FORM WAS CHANGED.

L2 (A-3)
SPECIAL NOTE WAS CHANGED.

L3 (F-1)
"00", "0R" TYPE WAS ADDED.

17-11-08
I. AMPOL
I. KORAKOT
(NO. NC91700028)

E1 (D-4)
E1 WAS 360, 9.

E2 (D-4)
E2 WAS 367, 8.

E3 (D-4)
E3 WAS 423.

12-10-26
I. AMPOL
S. DUMRONGSAK
(NO. NC91210218)

L1 (A-1)
FORM WAS CHANGED.

L2 (A-3)
SPECIAL NOTE WAS CHANGED.

L3 (F-1)
"00", "0R" TYPE WAS ADDED.

17-11-08
I. AMPOL
I. KORAKOT
(NO. NC91700028)

F1 (F-2)
"KM" TYPE WAS ADDED.

12-11-16
I. AMPOL
S. DUMRONGSAK

G1 (F-2)
AN SERIES "0E" WAS ADDED.

13-04-02
I. AMPOL
S. DUMRONGSAK


L1 (A-1)
FORM WAS CHANGED.

L2 (A-3)
SPECIAL NOTE WAS CHANGED.

L3 (F-1)
"00", "0R" TYPE WAS ADDED.

17-11-08
I. AMPOL
I. KORAKOT
(NO. NC91700028)

H1 (B-3)
DRAWING WAS AS BELOW.



H2 (F-2)
"K0" TYPE WAS ADDED.

13-06-20
I. AMPOL
S. DUMRONGSAK
(NO. NC91300010)

L1 (A-1)
FORM WAS CHANGED.

L2 (A-3)
SPECIAL NOTE WAS CHANGED.

L3 (F-1)
"00", "0R" TYPE WAS ADDED.

17-11-08
I. AMPOL
I. KORAKOT
(NO. NC91700028)

J1 (F-2)
"K3", "K2", "K1", "K0", "K", "-3", "-2" TYPE WERE ADDED.

14-02-06
W. CHOMPONDOT
S. DUMRONGSAK
(NO. NC91400022)

L1 (A-1)
FORM WAS CHANGED.

L2 (A-3)
SPECIAL NOTE WAS CHANGED.

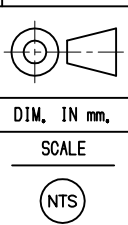
L3 (F-1)
"00", "0R" TYPE WAS ADDED.


17-11-08
I. AMPOL
I. KORAKOT
(NO. NC91700028)

Confidential (ลับเฉพาะ)
CONTROLLED COPY
Issued Date
19 FEB 2018
TC
SCI

USE FOR MODEL

| | |
|----------------------------|---------------------------------------|
| <input type="checkbox"/> K | <input type="checkbox"/> N |
| <input type="checkbox"/> S | <input checked="" type="checkbox"/> A |
| <input type="checkbox"/> R | <input type="checkbox"/> B |
| <input type="checkbox"/> T | <input type="checkbox"/> D |
| <input type="checkbox"/> P | <input type="checkbox"/> Q |



| | | | |
|---|-----------------------|-------------------------------------|--|
|  SIAM COMPRESSOR INDUSTRY CO., LTD. | | REFERENCE : SC01D795 | |
| | | TITLE COMPR. OUTLINE DWG. | |
| DIM. IN mm. | DATE 08-04-29 | APPROVED | |
| SCALE | DRAWN N. THIDAPORN | I. KORAKOT | |
| | CHECKED S. SURIYAN | | |
| | DESIGNED I. AMPOL | | |

| | |
|-------------------------------------|-----------------|
| REFERENCE : SC01D795 | |
| TITLE COMPR. OUTLINE DWG. | |
| DWG. No. | SC01D824 |
| | 2 2 |